

Parts Manual Manuel de pièces



Gladiator 512 Ride-On

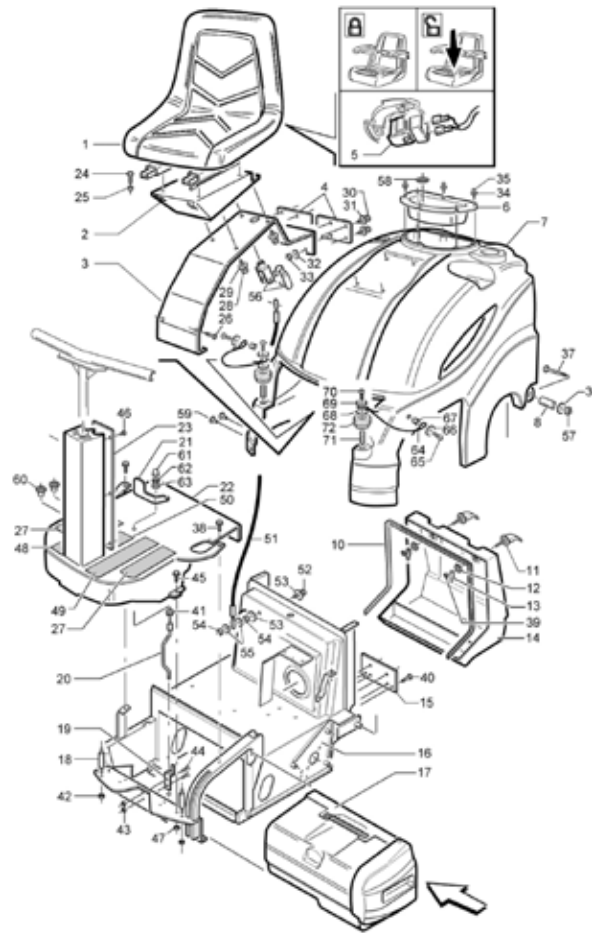
Gladiator Series
Code: 19675-C-AGM

Serial #: _____

Date of Purchase: _____

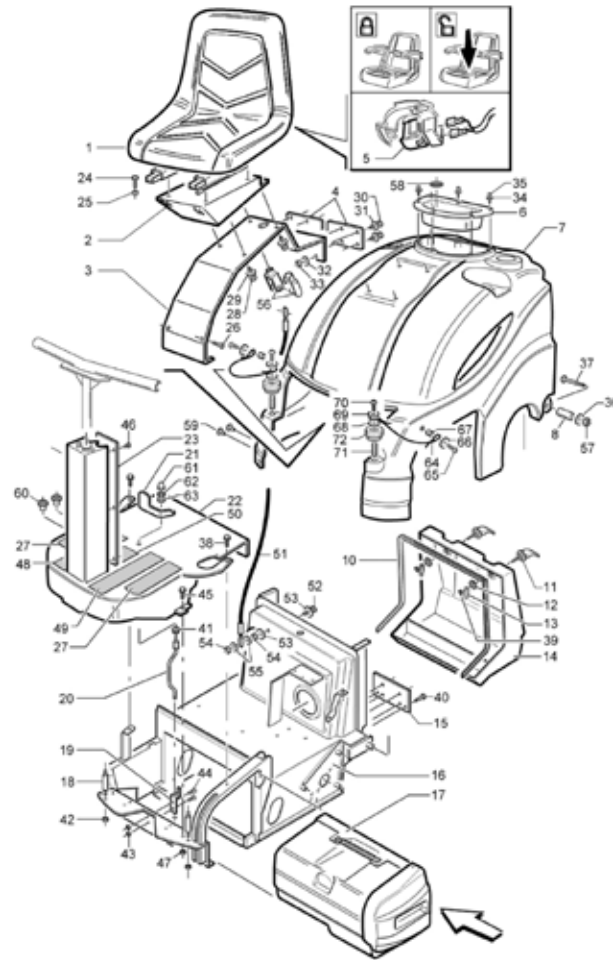
More info : www.dustbane.ca
07-2011

Crankcase



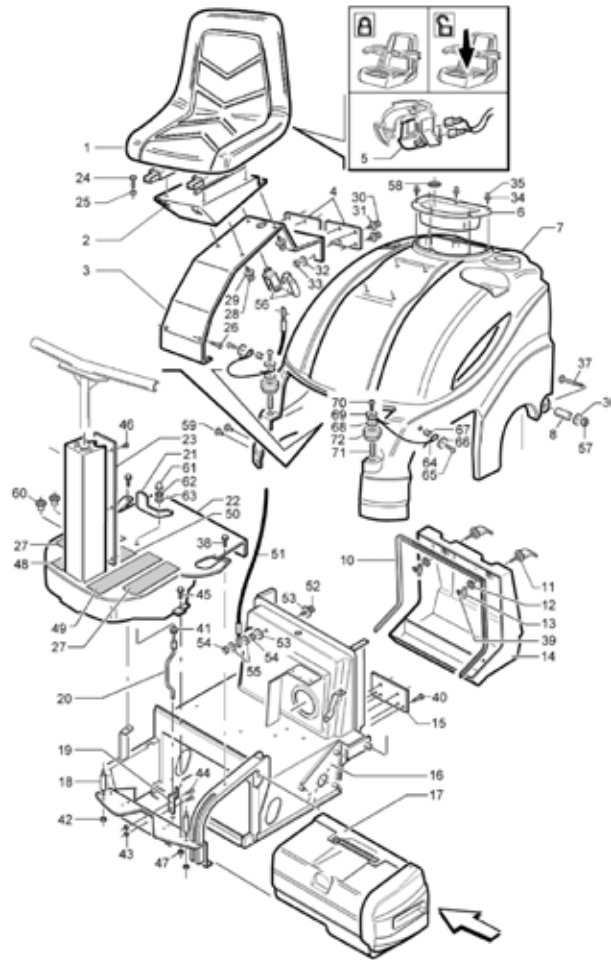
Ref.	Part N.	Description	Quantity	Validity From	Validity To
1	3SESD45981	SEAT	1		
2	3LAFN07284	SUPPORT	1		
3	3LAFN07359	ASSEMBLED ROLL BAR	1		
4	3LAFN07377	BRACKET	2		
5	3MEVR00148	DASHBOARD	1		
6	3MPVR05276	COVER	1		
7	3MPVR05698	HOOD	1		
8	3LAFN04043	SPACER - D8.5-15	2		
9	3RTRT00022	HANDWHEEL	2		
10	3GUVR75932	GASKET	1		
11	3PMVR00138	LOCK TEK	2		
12	3LAFN00259	NUT - CH.24	2		
13	3LAFN00349	LEVER	2		
14	3MPVR00607	DRAWER	1		
15	3MPVR00801	CAP	1		
16	3LAFN07282	FRAME	1		
17	3PMVR01409	DRAWER	1		
18	3LAFN07271	PIN	2		

Crankcase



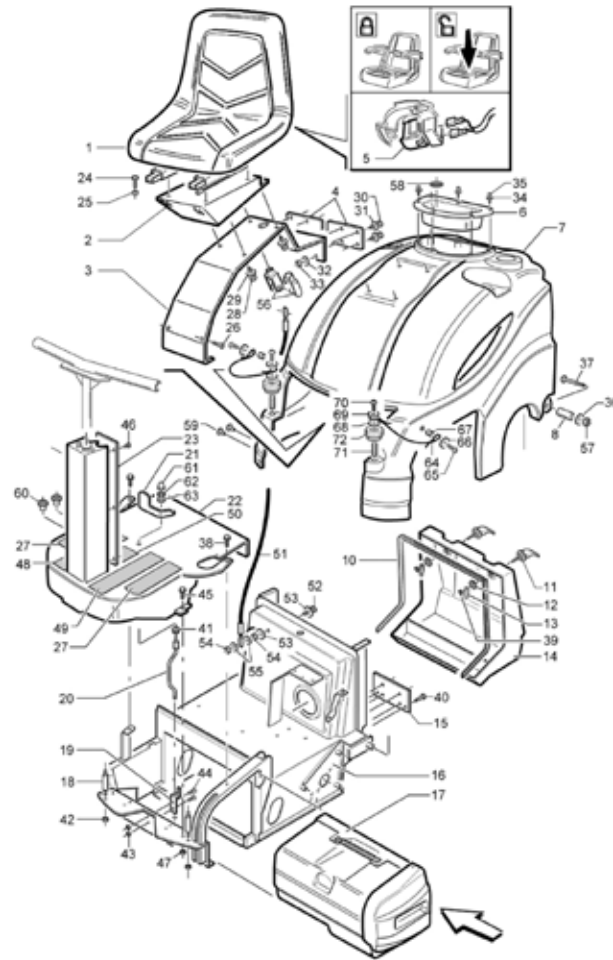
19	3LAFN07367	BRACKET	1
20	3LAFN07366	LEVER	1
21	3LAFN07556	LEVER	1
22	3LAFN07260	PLANE	1
23	3LAFN07363	SHEET METAL	1
24	3VTVT01110	SCREW - TE 8X16 UNI5739	4
25	3VTRS00504	WASHER - D. 8 TE ZC. UNI 6592	4
26	3VTVT00527	SCREW - TE FR 6X10 ZB ZIG.	2
27	3MPVR00866	PLANE	2
28	3VTVT01536	SCREW - TE 10X45 UNI5739	4
29	3VTRS00505	WASHER - D.10 TE UNI 6592	4
30	3VTVT00248	SCREW - TE M&x45 UNI5739 8.8 ZNT	4
31	3VTRS04026	WASHER - D. 6X18X2.38	4
32	3VTRS04026	WASHER - D. 6X18X2.38	4
33	3VTDD00491	NUT - M 6 TEF	4
34	3VTRS00501	WASHER - D. 4 0.232 UNI 6592	4
35	3VTVT37012	SCREW - M 4X 10 TCB-TC INX	4
36	3VTRS00512	WASHER - D. 8 X24 ZC.	2

Crankcase



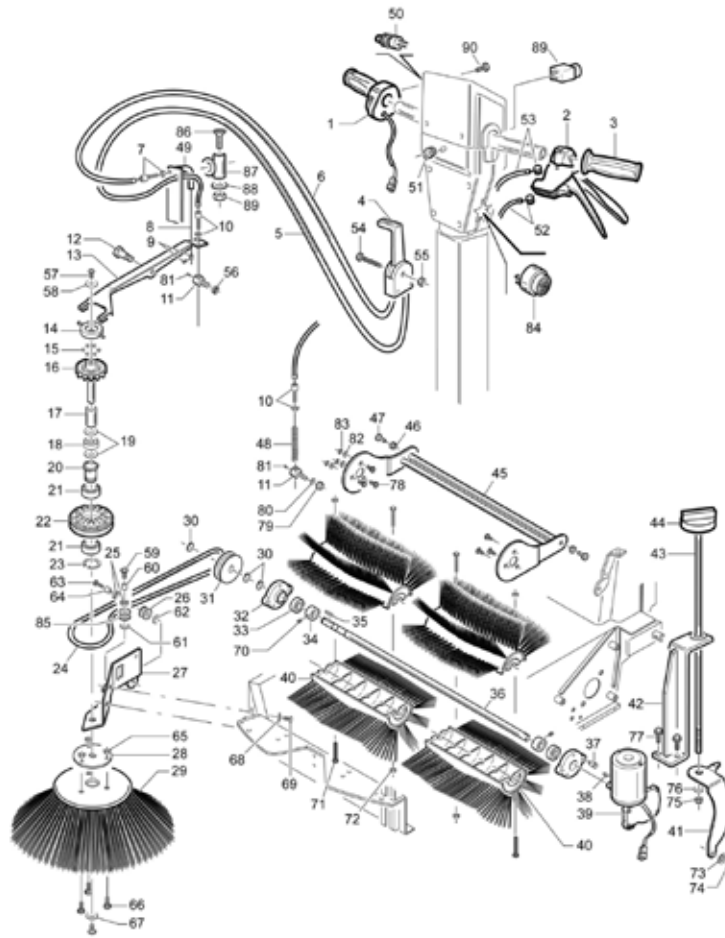
37	3VTVT01142	SCREW - TTQS M8X89	2
38	3VTVT62920	SCREW - TE F/ROND. M 6X 16 ZB	2
39	3VTDD00057	NUT - UNI 5589 M8 BASSO ZB	2
40	3VTVT00527	SCREW - TE FR 6X10 ZB ZIG.	4
41	3MPVR05303	CLIP - d.i.6 sp.4	1
42	3VTDD00491	NUT - M 6 TEF	2
43	3VTDD00491	NUT - M 6 TEF	2
44	3VTVT00093	SCREW - TBCE ISO 7380 6X12 ZB	2
45	3VTVT62920	SCREW - TE F/ROND. M 6X 16 ZB	2
46	3VTVT00040	SCREW - AUTOF.TC UNI6954 3,5X10SP	6
47	3VTDD00491	NUT - M 6 TEF	2
48	3MPVR47092	PLANE	1
49	3MPVR47092	PLANE	2
51	3CMCV00430	CABLE	1
52	3VTVT00448	SCREW - TE 8X30 UNI5739	1
53	3VTRS00512	WASHER - D. 8 X24 ZC.	2
54	3VTDD00041	NUT - SELF LOCK M 8 UNI7473 8.8 ZNT	2
55	3VTRS00512	WASHER - D. 8 X24 ZC.	2

Crankcase



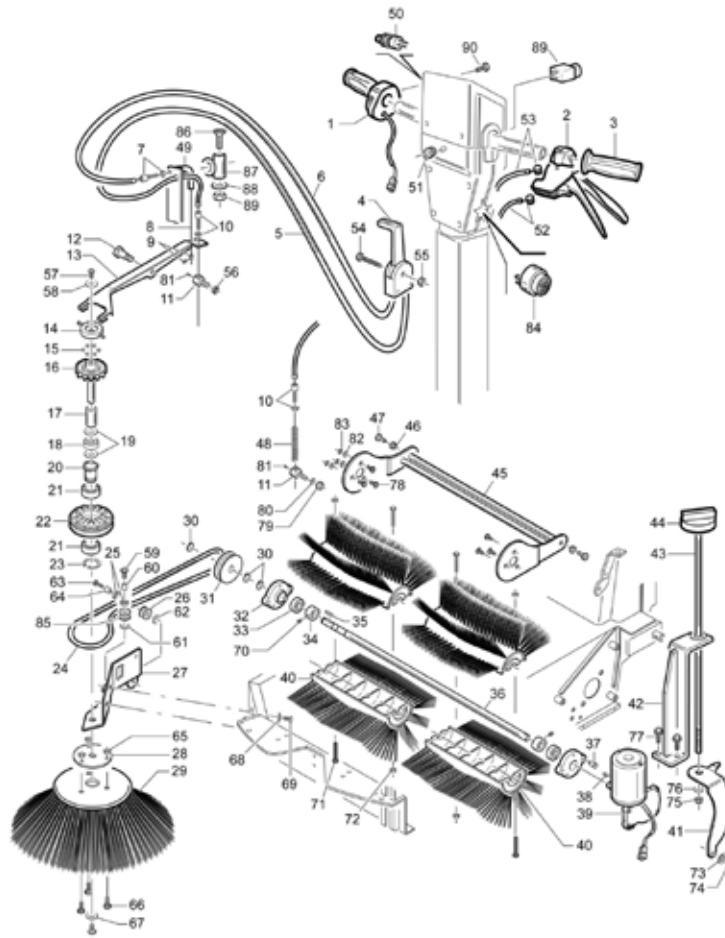
56	3CMCV00001	FORK - UNI 1676 M8X16	1
56	3CMCV75718	CLIP - UNI 1676 M8	1
57	3VTDD00041	NUT - SELF LOCK M 8 UNI7473 8.8 ZNT	2
58	3MEVR00554	FAIR LEAD - D.37	1
59	3RCVR00173	CARRYNG BAG	6
60	3MEVR00244	FAIR LEAD - D. 7-12 PVC	2
61	3VTDD48188	NUT - M 6 CIE. INX A2 UNI 5721	1
62	3VTDD00482	NUT - M 6 ZIN UNI 5588	1
63	3VTRS01079	WASHER - D. 6 GROWER	1
64	3CMCV00442	CABLE	2
65	3VTVT00892	SCREW	2
66	3VTRS15958	WASHER - D. 5 X15 UNI 6593	2
67	3LAFN03840	BUSHING	2
68	3VTRS86980	WASHER - D. 6X18 UNI6593	2
69	3VTRS86980	WASHER - D. 6X18 UNI6593	2
70	3VTVT09916	SCREW - TBEI M 6X 20 ISO 7380 ZB	2
71	3VTVT20261	SCREW - EI-ST 6X20 UNI5923	2
72	3MPVR05627	KNOB	2

Brush



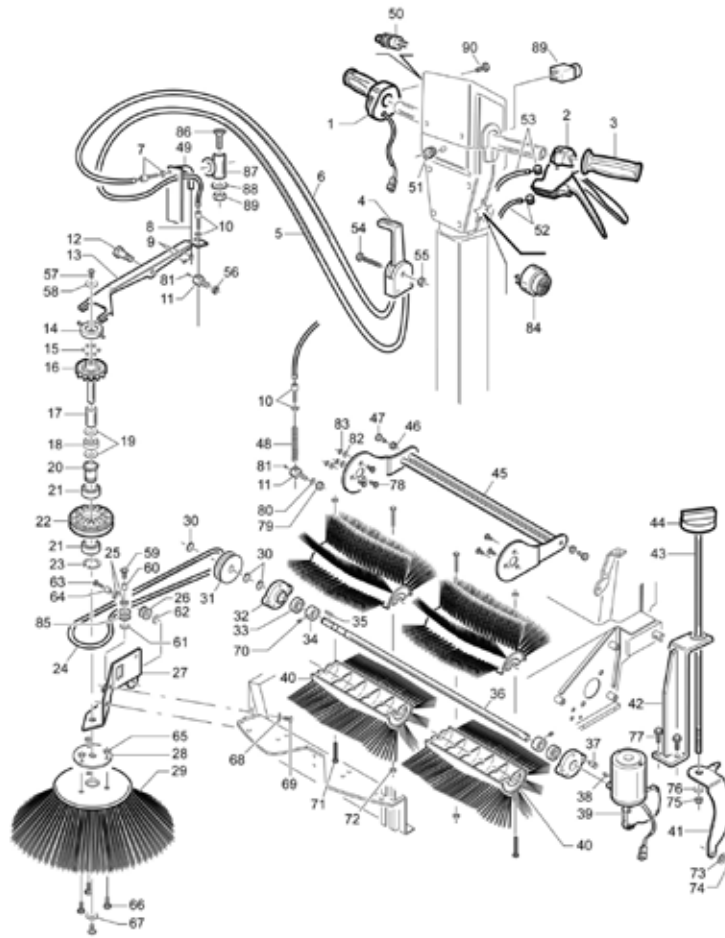
Ref.	Part N.	Description	Quantity	Validity From	Validity To
1	3MEVR02035	TUBE	1		
2	3MPVR05302	HANDLE	1		
3	3MPVR29814	KNOB - D. 22 L=124	1		
4	3LAFN75738	TRIGGER	1		
5	3CMCV00344	SHEATH	1		
6	3CMCV00343	SHEATH	1		
7	3CMCV00352	REGISTER	1		
8	3CMCV00342	CABLE	1		
9	3CMCV75737	CLAMP - D.7 art.857	1		
10	3CMCV75723	REGISTER - D.7	1		
11	3LAFN01068	SCREW - CH.17 H.28 FISSAGGIO FILO	1		
12	3LAFN75968	PIN	1		
13	3LAFN75953	LEVER	1		
14	3LAFN75824	RING	1		
15	3SFVR00002	BALL 11/32"	6		
16	3LAFN75826	RING	1		
17	3LAFN75912	SPACER	1		

Brush



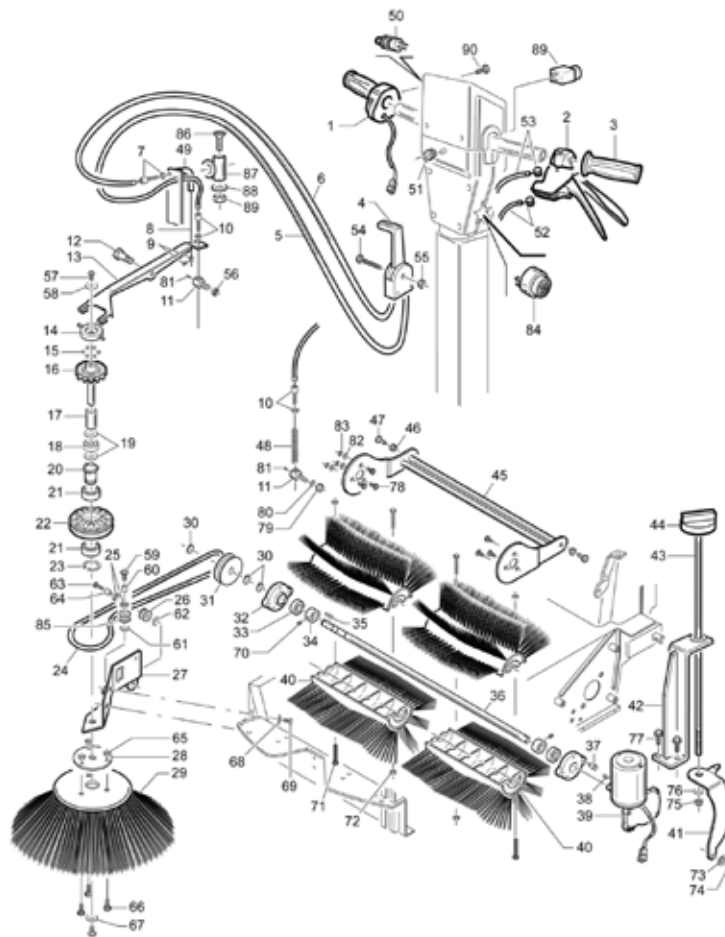
18	3CUVR37344	ROLLER BEARING - HK 1412	1
19	3VTRS75831	WASHER	2
20	3LAFN75833	BUSHING	1
21	3CUVR86893	BEARING - 6005 2RS	2
22	3LAFN75827	RING	1
23	3VTAE09655	CIRCLIP - D. 25 UNI 7435	1
24	3MTCG85335	BELT - D. 8X1000	1
25	3CUVR75814	BEARING - HK 1012	2
26	3MTPL75997	PULLEY D.30x15	1
27	3LAFN76005	SUPPORT	1
28	3LAFN75986	FLANGE	1
29	3SPPV76057	SIDE BRUSH	1
30	3VTAE17003	CIRCLIP - D. 15 UNI 7435	3
31	3MTPL75980	PULLEY	1
32	3PMTR00026	SUPPORT	2
33	3CUVR00005	BEARING - 6202 2RS	2
34	3LAFN26588	SPACER LOPY 50	2
35	3VTVR26559	KEY - 5X5X15	1

Brush



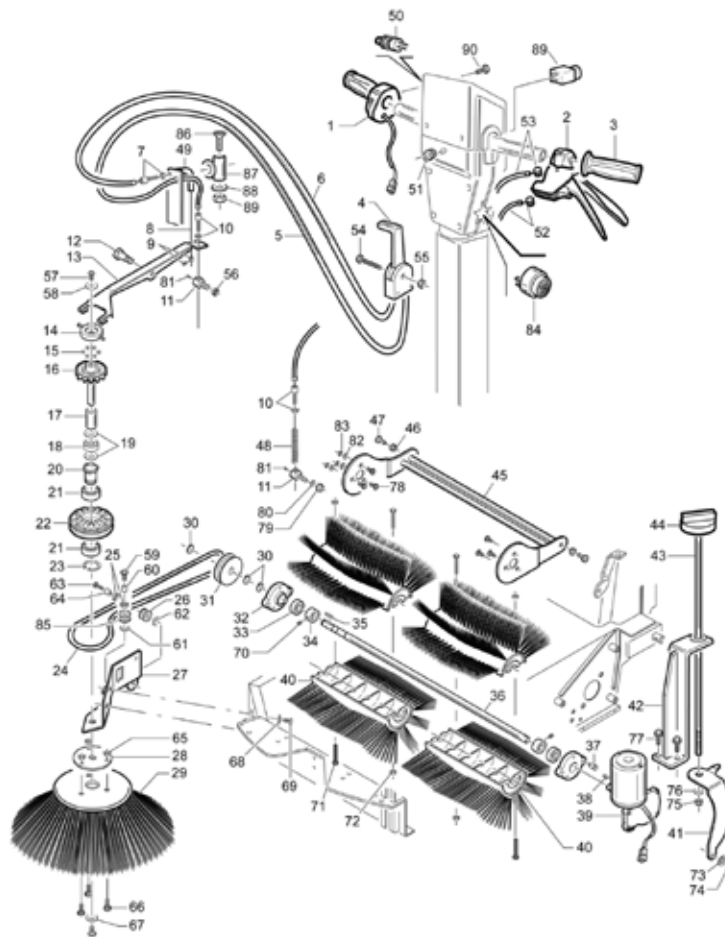
36	3ALTR75822	BRUSH SHAFT	1
37	3LAFN75971	PIN	1
38	3VTVR75730	KEY UNI 6606 3 X 3,7	1
39	3MOCC00321	MOTOR D.77 24V	1
40	3SPPV00048	BRUSH CENTRALE	2
41	3LAFN00342	BRACKET	1
42	3LAFN07265	BRACKET	1
43	3LAFN07266	ROD	1
44	3MPVR10084	SWITCH KNOB	1
45	3LAFN00035	BALANCER	1
46	3LAFN75834	BUSHING	2
47	3LAFN76019	PIN - D.15 H.25 TK	2
48	3MLML00033	SPRING	1
49	3LAFN07408	CURVE - 90°	1
50	3MEVR85330	KLAXON	1
51	3MEVR00094	FAIR LEAD - EGP15-20S.60 PAS1	1
52	3CMCV00340	CABLE	1
53	3CMCV00341	CABLE	1

Brush



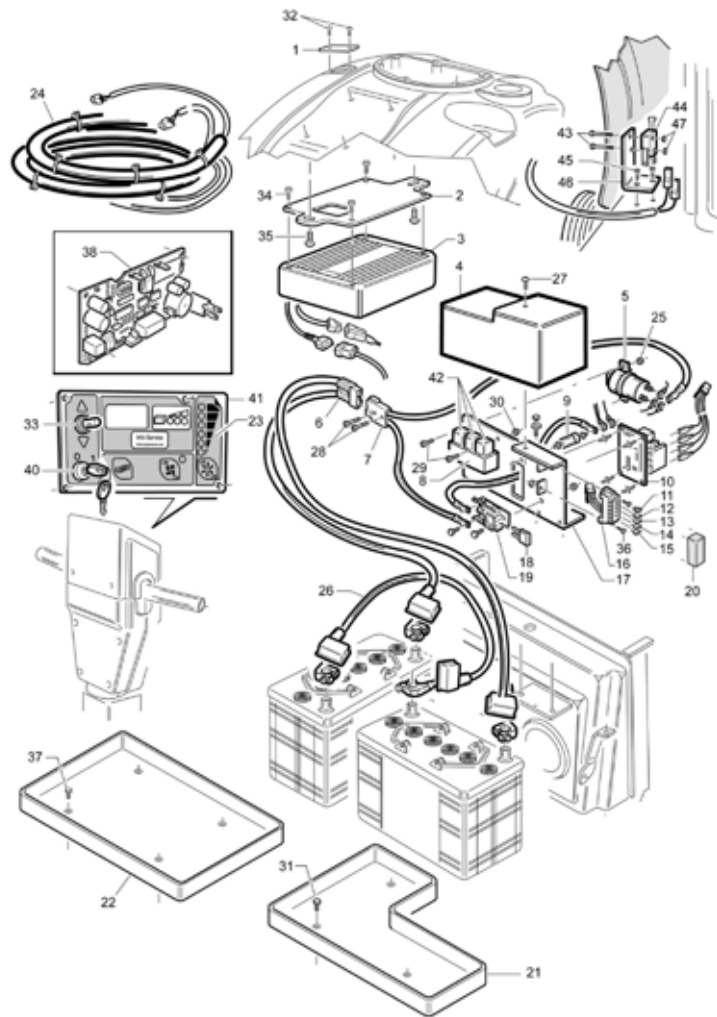
54	3LAFN75738	TRIGGER	1
55	3LAFN75738	TRIGGER	1
56	3VTDD13261	NUT - M 8X1 UNI 5589	1
57	3VTVT75724	SCREW - TBEI M 8X 22 ISO 7380 ZB	1
58	3VTRS00513	WASHER - D. 8 X32 P.	1
59	3VTVT75727	SCREW - 8 X 25 TBCE Z.B.	1
60	3LAFN75840	BUSHING - D.10x15.6	1
61	3VTRS00504	WASHER - D. 8 TE ZC. UNI 6592	1
62	3VTRS00504	WASHER - D. 8 TE ZC. UNI 6592	1
63	3VTVT75727	SCREW - 8 X 25 TBCE Z.B.	1
64	3LAFN75840	BUSHING - D.10x15.6	1
65	3VTDD13261	NUT - M 8X1 UNI 5589	3
66	3VTVT00527	SCREW - TE FR 6X10 ZB ZIG.	3
67	3VTRS63242	WASHER - D. 6 X24 ZC	1
68	3VTRS00512	WASHER - D. 8 X24 ZC.	2
69	3VTVT45395	SCREW - TBEI M 8X 10 ISO 7380 ZB	2
70	3VTVT75731	SCREW - UNI 5923 6 X5	2
71	3VTVT22102	SCREW - TCEI 5X70 UNI5931	4

Brush



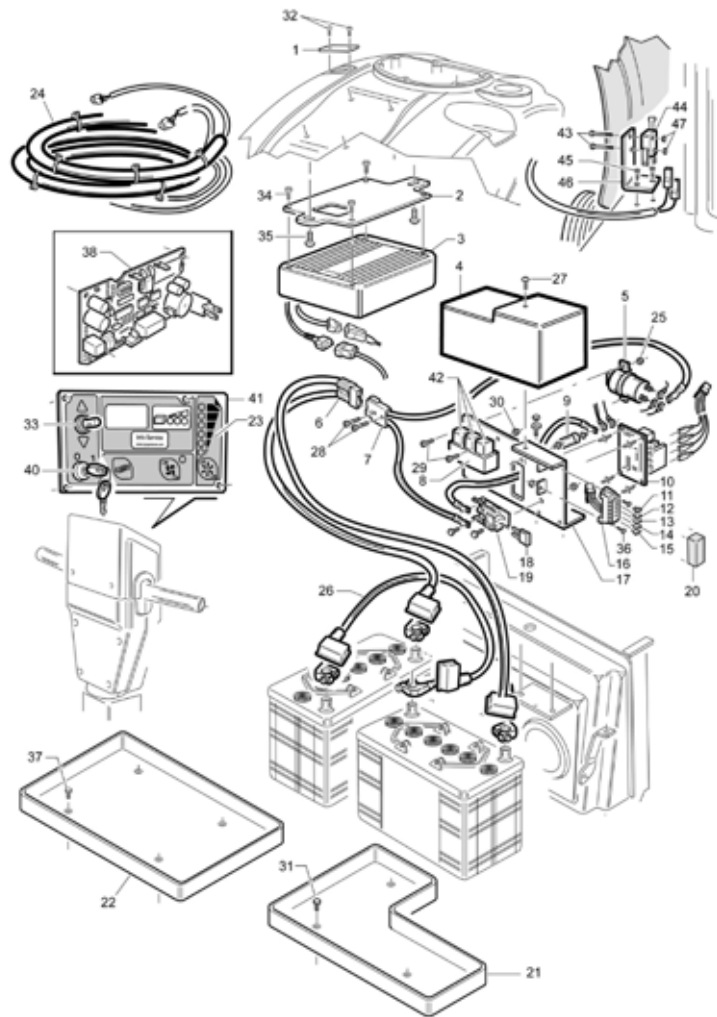
72	3VTDD01678	NUT - M 5 UNI 5588	4
73	3VTRS00504	WASHER - D. 8 TE ZC. UNI 6592	1
74	3VTAE14016	CIRCLIP - D. 12 UNI 7435	1
75	3VTDD00124	NUT - M 8 BASSO	1
76	3VTRS00504	WASHER - D. 8 TE ZC. UNI 6592	1
77	3VTVT21295	SCREW - TE M5X20 ZINC. UNI 5739	2
78	3VTVT00061	SCREW - TSCE UNI 5933 6X20 ZB	6
79	3VTDD00124	NUT - M 8 BASSO	1
80	3VTRS00504	WASHER - D. 8 TE ZC. UNI 6592	1
81	3VTVT87456	SCREW - UNI 5923 5x6	1
82	3VTRS00503	WASHER - D. 6 TE UNI 6798	3
83	3VTDD00491	NUT - M 6 TEF	6
84	3MEVR01436	BUZZER	1
85	3MTPL75996	PULLEY - D.27x15	1
86	3VTVT42311	SCREW - M 6X 35 TSPEI UNI 5933	1
87	3LAFN06861	BRACKET	1
88	3VTRS00503	WASHER - D. 6 TE UNI 6798	1
89	3MECI00536	BUTTON	1
90	3VTVT00751	SCREW	1

Elec Install



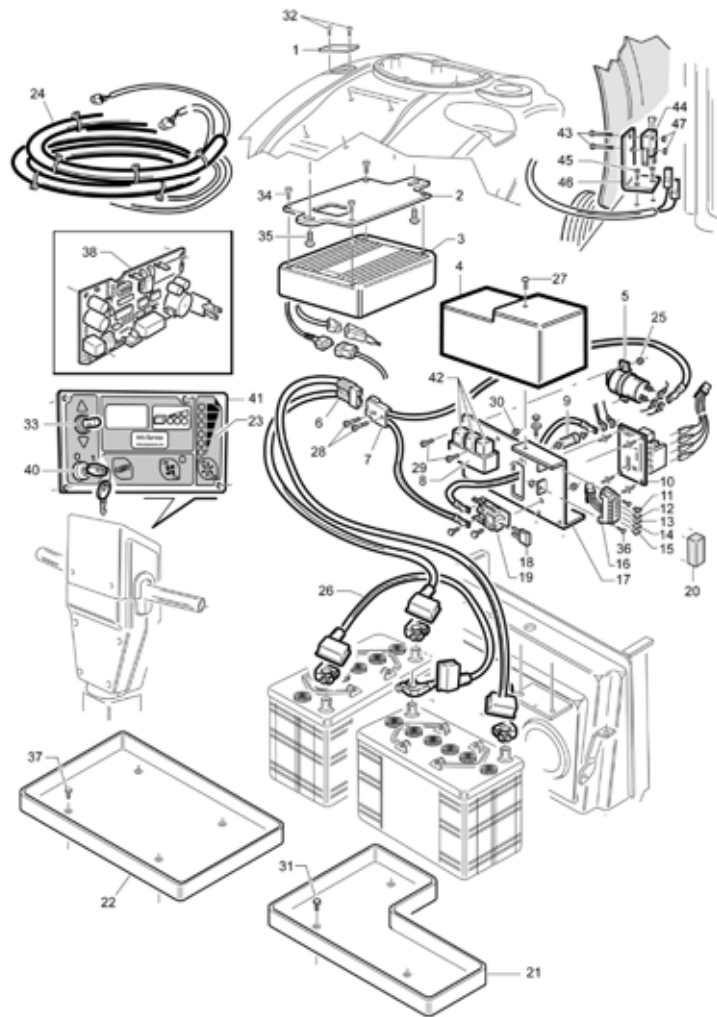
Ref.	Part N.	Description	Quantity	Validity From	Validity To
1	3MPVR05254	FLANGE	1		
2	3LAFN07267	BRACKET	1		
3	3BACA00123	BATTERY CHARGER - 24V 10A	1		
4	3MPVR05325	COVER	1		
5	3METT00079	CONTACTOR - E TL 10P 24V 100A	1		
6	3MEVR01707	CONNECTOR	1		
7	3MECB01022	WIRING	1		
8	3METT00053	BLOCK	3		
9	3MEVR01116	SUPPORT FUSE - 120 A	1		
10	3MECE00455	BOARD	1		
11	3MEVR00584	FUSE - 3A	1		
12	3MEVR00327	FUSE - 25A	1		
13	3MEVR01133	FUSE - 15A 32V	1		
14	3MEVR00327	FUSE - 25A	1		

Elec Install



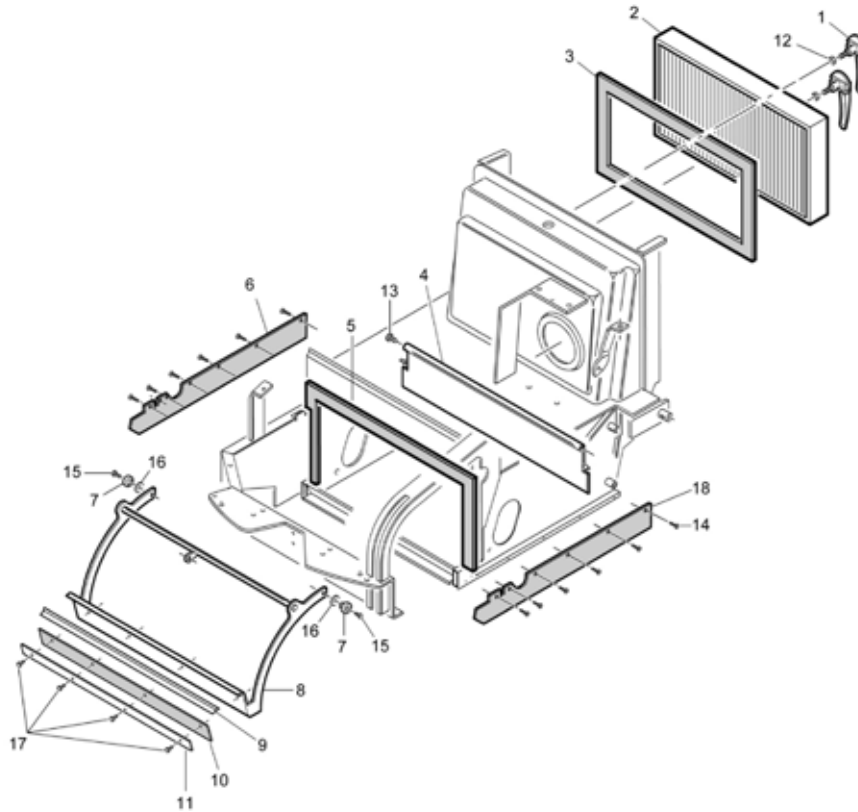
15	3MEVR01380	FUSE	1
16	3MEVR00567	FUSE HOLDER	1
17	3LAFN07370	SUPPORT	1
18	3MEVR00618	FUSE - 60A	1
19	3MEVR00613	FUSE CARRIER	1
20	3MEVR00567	FUSE HOLDER	1
21	3MPVR05293	BATTERY CONTAINER	1
22	3LAFN35588	BATTERY SUPPORT	1
24	3MECB01022	WIRING	1
25	3VTDD00491	NUT - M 6 TEF	1
26	3MEVR34820	WIRING	1
27	3VTVT00099	SCREW - AUTOF.TC UNI 6954 3,9X13	1
28	3VTVT00021	SCREW - TE UNI 5739 3X25 ZB	2
29	3VTVT13597	SCREW - EXAGONAL BOLT 6X12	2
30	3VTDD00491	NUT - M 6 TEF	2

Elec Install



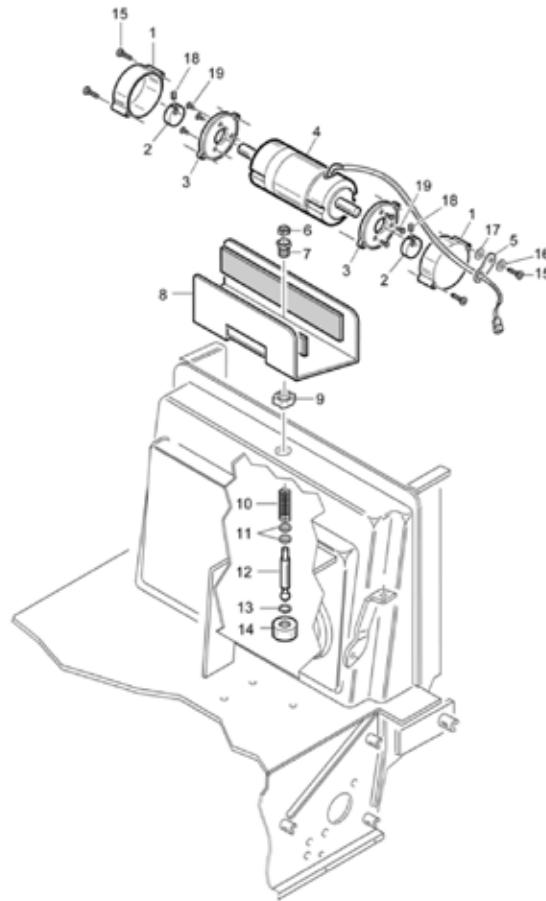
31	3VTVT00039	SCREW - TC UNI 6954 3.5X10 AUTOF.	2
32	3VTVT00044	SCREW - TC AF.X PLAS UNI9707 4X16	2
33	3MECI34120	SWITCH - T 115-EA	1
34	3VTVT21887	SCREW - TCB-TC 4X10 8112	4
35	3VTVT00005	SCREW - TE FR 5X12 ZB	2
36	3VTVT62916	SCREW - TE M5X12 ZN UNI 5739-8.8	2
37	3VTVT00039	SCREW - TC UNI 6954 3.5X10 AUTOF.	2
38	3MECE00454	BOARD	1
40	3MECI00541	SELECTOR	1
41	3LAFN07272	BOARD	1
42	3MERL00006	SWITCH - RELAY R502 024 H3M 1NO 80A	3
43	3VTVT00019	SCREW - TE UNI 5739 3X20 ZB	2
44	3MECI30642	MICRO SWITCH - 11A 0.33HP	1
45	3VTVT00003	SCREW - TE M 4X 12 ZC. UNI 5739	2
46	3LAFN06858	SUPPORT	1
47	3VTDD09556	NUT - M3 TEFLON	2

Flap



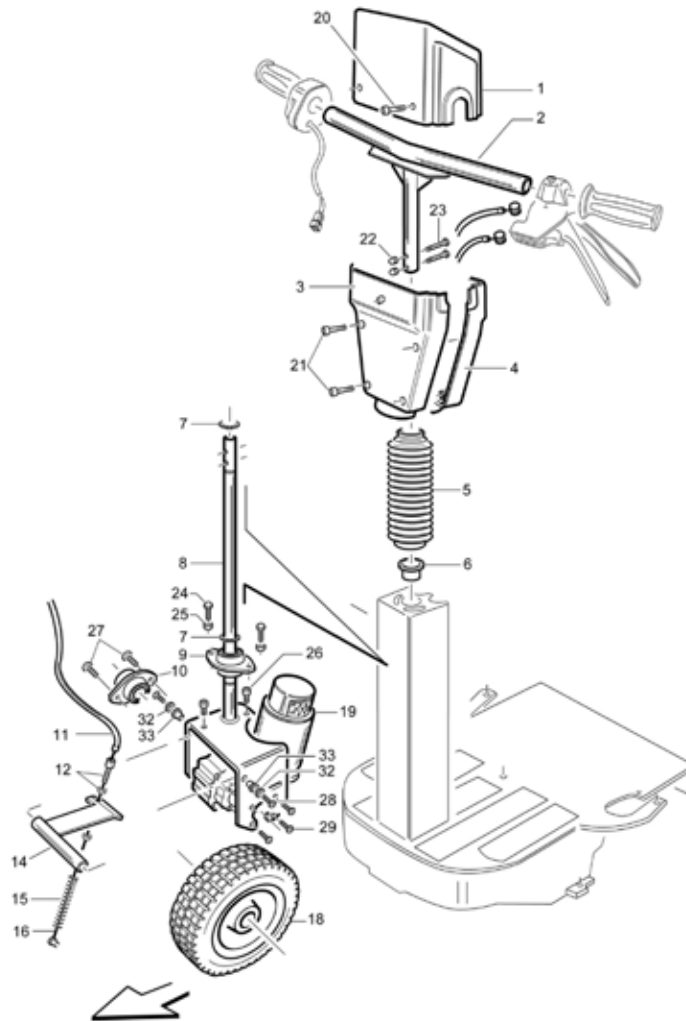
Ref.	Part N.	Description	Quantity	Validity From	Validity To
1	3PMVR00383	HANDLE	2		
2	3FTDP85298	FILTER	1		
3	3KTRI75926	FOAM KIT	1		
4	3MPVR05306	FLAP	1		
5	3KTRI01819	KIT	1		
6	3MPVR05267	FLAP	1		
7	3LAFN00188	BUSHING	2		
8	3LAFN07365	BALANCER	1		
9	3MPVR00731	RUBBER FLAP	1		
10	3MPVR87400	RUBBER FLAP	1		
11	3LAFN00331	CLAMP	1		
12	3VTDD00483	NUT - M 8 ZIN UNI 5588	2		
13	3VTVT47025	SCREW - TBEI M 10X 16 ISO 7380 ZB	2		
14	3VTVT01295	SCREW - 3,5X9,5 TS80 UNI 6955 ZB	10		
15	3VTVT75724	SCREW - TBEI M 8X 22 ISO 7380 ZB	2		
16	3VTRS00512	WASHER - D. 8 X24 ZC.	2		
17	3VTVT00040	SCREW - AUTOF.TC UNI6954 3,5X10SP	4		
18	3MPVR05268	FLAP	1		

Filter Shaker



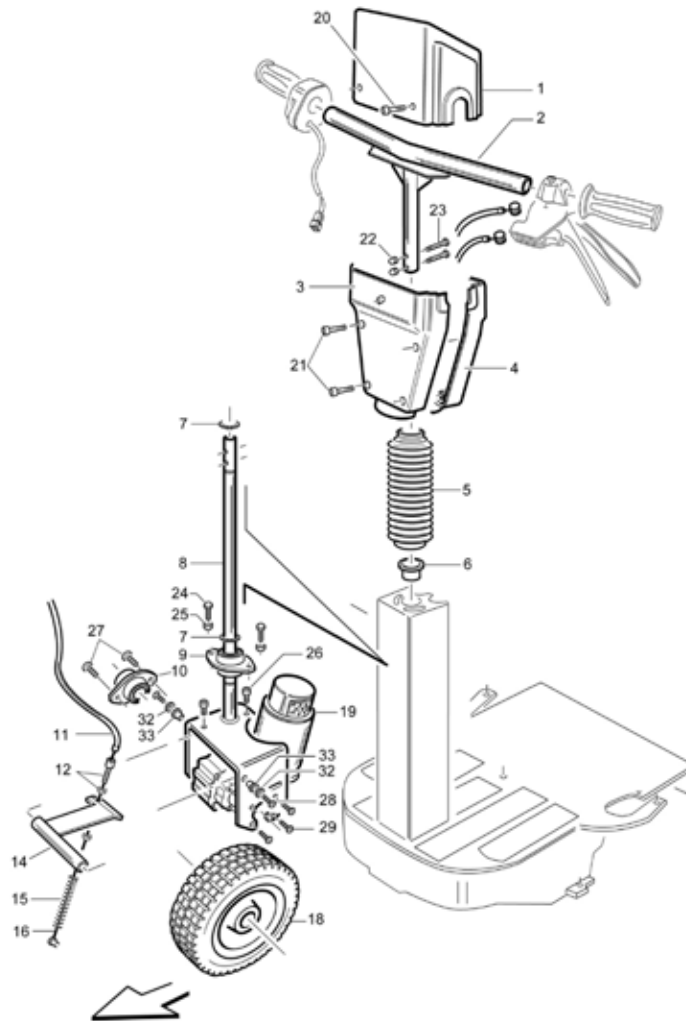
Ref.	Part N.	Description	Quantity	Validity From	Validity To
1	3LAFN47139	MOTOR COVER	2		
2	3LAFN47140	BUSHING	2		
3	3MFVR47141	FLANGE - MOTOR	2		
4	3MOCC00004	MOTOR - D.63 24V G3800 W35	1		
5	3MPVR00765	RUBBER	1		
6	3VTDD00008	NUT - M10 UNI 5589 ZB	1		
7	3ABGO00012	VIBRATION DAMP.	1		
8	3LAFN00676	SUPPORT	1		
9	3LAFN36319	RING - NUT M25X1.5-10.3	1		
10	3MLML85610	SPRING - TK2205017	1		
11	3GUGO19260	O-RING - D. 8 X 1 NBR 70SH	2		
12	3LAFN00428	PIN - D.15 H.78 A SFERA SCUOT.	1		
13	3VTAE00007	SEEGER	1		
14	3LAFN00417	ARTICULATED	1		
15	3VTVT47138	SCREW - TSP-TC 3,9X32 ZC. UNI6955	4		
16	3VTRS05904	WASHER - D. 4 X16 2.083	1		
17	3VTRS05904	WASHER - D. 4 X16 2.083	1		
18	3VTVT75731	SCREW - UNI 5923 6 X5	2		
19	3VTVT76616	SCREW - M 4x18 STEAM GUN	6		

Traction Unit



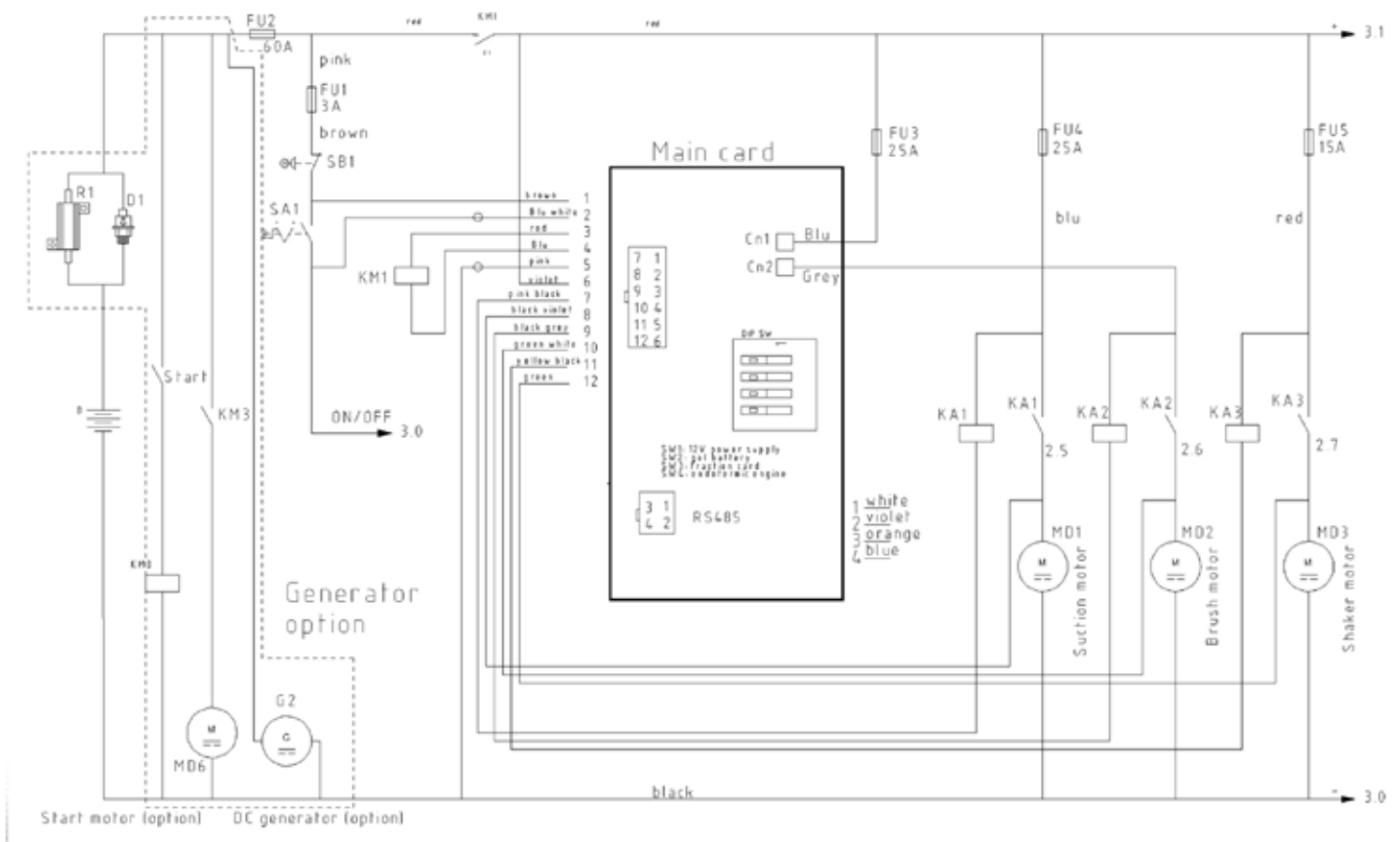
Ref.	Part N.	Description	Quantity	Validity From	Validity To
1	3MPVR05258	INSTRUMENT PANEL	1		
2	3LAFN07262	HANDLE	1		
3	3MPVR05297	INSTRUMENT PANEL	1		
4	3MPVR05301	INSTRUMENT PANEL	1		
5	3MPVR31719	PROTECTOR - 55 - 50 x 215	1		
6	3LAFN07270	BUSHING - 24X27 H7	1		
7	3VTAE21639	CIRCLIP - D. 24 UNI 7435	1		
8	3LAFN07273	SHAFT	1		
9	3CUVR33324	BEARING - BPFL 205	1		
10	3CUVR00105	SUPPORT	1		
11	3CMCV00340	CABLE	1		
12	3CMCV75723	REGISTER	1		
14	3LAFN07354	BRACKET	1		
15	3MLML75964	SPRING - D. 11,3 X100 X1,5 TK	1		

Traction Unit



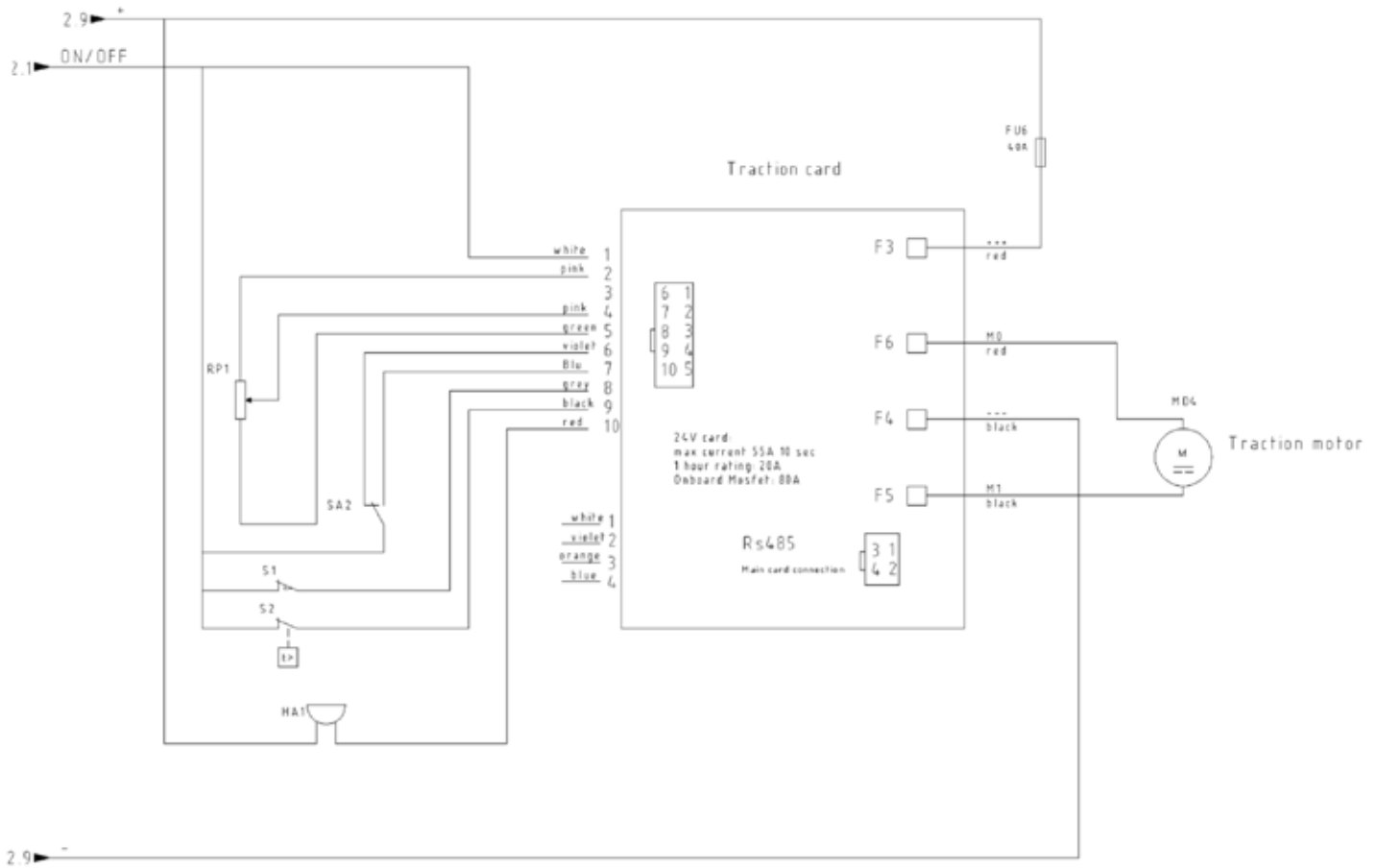
16	3CMCV00340	CABLE	1
18	3RTRT00438	WHEEL - 200X80	1
19	3MOCC00320	MOTOR	1
20	3VTVT29165	SCREW - AF TCB-TC 5 X20 TL	2
21	3VTVT29165	SCREW - AF TCB-TC 5 X20 TL	4
22	3VTDD00491	NUT - M 6 TEF	2
23	3VTVT06238	SCREW - TE 6X35 UNI5739	2
24	3VTVT00448	SCREW - TE 8X30 UNI5739	2
25	3VTDD00492	NUT M - 8 ZINC	2
26	3VTVT19472	SCREW - TCEI M 8X10 UNI 5931	2
27	3VTVT63129	SCREW - TE F/ROND. M 8X16 ZB	2
28	3VTVT62916	SCREW - TE M5X12 ZN UNI 5739-8.8	2
29	3VTVT21295	SCREW - TE M5X20 ZINC. UNI 5739	4
32	3VTRS15958	WASHER - D. 5 X15 UNI 6593	2
33	3CUVR43254	BUSHING - CB 85 1010 18T	2

Elec Dia #1








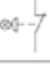




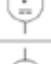


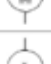







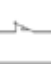




Ref.	Part N.	Description	Quantity	Validity From	Validity To
D1	3MECB01113	WIRING	1		
FU1	3MEVR00584	FUSE - 3A	1		
FU2	3MEVR00618	FUSE - 60A	1		
FU3	3MEVR00327	FUSE - 25A	1		
FU4	3MEVR00327	FUSE - 25A	1		
FU5	3MEVR01133	FUSE - 15A 32V	1		
G2	3ARGN00016	ALTERNATOR - 28V	1		
KA1	3MERL00006	SWITCH - RELAY R502 024 H3M 1NO 80A	1		
KA2	3MERL00006	SWITCH - RELAY R502 024 H3M 1NO 80A	1		
KA3	3MERL00006	SWITCH - RELAY R502 024 H3M 1NO 80A	1		
KM1	3METT00079	CONTACTOR - E TL 10P 24V 100A	1		
KM3	3METT00079	CONTACTOR - E TL 10P 24V 100A	1		
MD6	3MOCC45115	MOTOR - 24V 300W SX	1		
R1	3MECB01113	WIRING	1		
SA1	3MECI75805	SWITCH	1		
SB1	3MECI00536	BUTTON - D.25	1		

Elec Dia #2








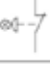




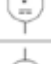


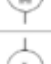







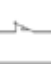




Ref.	Part N.	Description	Quantity	Validity From	Validity To
FU6	3MEVR01380	FUSE	1		
HA1	3MEVR01436	BUZZER	1		
RP1	3MEVR31306	KNOB - D.22 DX TIGER 300	1		
S1	3MEVR00148	DASHBOARD	1		
SA2	3MECI34120	SWITCH - T 115-EA	1		

Elec Dia #3

Sim.\Sym.	Sigla/Item	Funzione/Use Type	Sim.\Sym.	Sigla/Item	Funzione/Use Type	Sim.\Sym.	Sigla/Item	Funzione/Use Type
	B =OG 2	24 / 12 V battery		KA3 =OG 2	Relay shaker motor		SA1 =OG 2	ON/OFF key
	FU1 =OG 2	Fuse		KM1 =OG 2	Main contactor		SB1 =OG 2	Emergency button
	FU2 =OG 2	Fuse		KM3 =OG 2	Starter relay (option)		D1	Start Diode
	FU3 =OG 2	Fuse		MD1 =OG 2	Suction motor		R1	Charge Resistor
	FU4 =OG 2	Fuse		MD2 =OG 2	Brush motor			
	FU5 =OG 2	Fuse		MD3 =OG 2	Shaker motor			
	FU6 =OG 3	Fuse		MD4 =OG 3	Traction motor			
	G2 =OG 2	DC generator (option)		MD6 =OG 2	Start motor (option)			
	HA1 =OG 3	Buzzer		RP1 =OG 3	Speed potentiometer			
	KA1 =OG 2	Relay suction motor		S1 =OG 3	Seat switch			
	KA2 =OG 2	Relay brush motor		S2 =OG 3	Termical switch traction motor			

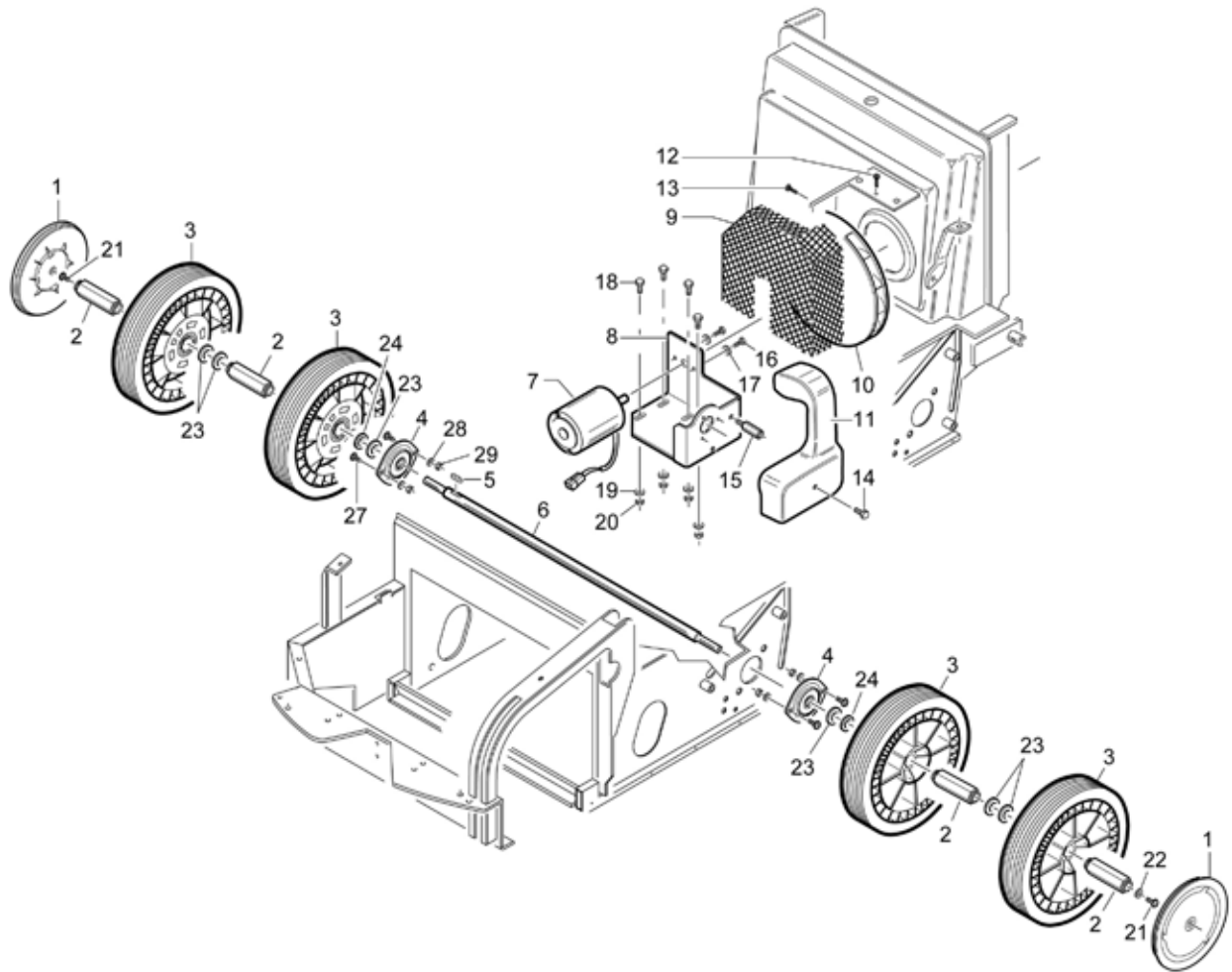
Ref.	Part N.	Description	Quantity	Validity From	Validity To
D1	3MECB01113	WIRING	1		
FU1	3MEVR00584	FUSE - 3A	1		
FU2	3MEVR00618	FUSE - 60A	1		
FU3	3MEVR00327	FUSE - 25A	1		
FU4	3MEVR00327	FUSE - 25A	1		
FU5	3MEVR01133	FUSE - 15A 32V	1		
FU6	3MEVR01380	FUSE	1		
G2	3ARGN00016	ALTERNATOR - 28V	1		
HA1	3MEVR01436	BUZZER	1		
KA1	3MERL00006	SWITCH - RELAY R502 024 H3M 1NO 80A	1		

Elec Dia #3

Sim.\Sym.	Sigla/Item	Funzione/Use Type	Sim.\Sym.	Sigla/Item	Funzione/Use Type	Sim.\Sym.	Sigla/Item	Funzione/Use Type
	B =OG 2	24 / 12 V battery		KA3 =OG 2	Relay shaker motor		SA1 =OG 2	ON/OFF key
	FU1 =OG 2	Fuse		KM1 =OG 2	Main contactor		SB1 =OG 2	Emergency button
	FU2 =OG 2	Fuse		KM3 =OG 2	Starter relay (option)		D1	Start Diode
	FU3 =OG 2	Fuse		MD1 =OG 2	Suction motor		R1	Charge Resistor
	FU4 =OG 2	Fuse		MD2 =OG 2	Brush motor			
	FU5 =OG 2	Fuse		MD3 =OG 2	Shaker motor			
	FU6 =OG 3	Fuse		MD4 =OG 3	Traction motor			
	G2 =OG 2	DC generator (option)		MD6 =OG 2	Start motor (option)			
	HA1 =OG 3	Buzzer		RP1 =OG 3	Speed potentiometer			
	KA1 =OG 2	Relay suction motor		S1 =OG 3	Seat switch			
	KA2 =OG 2	Relay brush motor		S2 =OG 3	Termical switch traction motor			

KA2	3MERL00006	SWITCH - RELAY R502 024 H3M 1NO 80A	1
KA3	3MERL00006	SWITCH - RELAY R502 024 H3M 1NO 80A	1
KM1	3METT00079	CONTACTOR - E TL 10P 24V 100A	1
KM3	3METT00079	CONTACTOR - E TL 10P 24V 100A	1
MD6	3MOCC45115	MOTOR - 24V 300W SX	1
R1	3MECB01113	WIRING	1
RP1	3MEVR31306	KNOB - D.22 DX TIGER 300	1
S1	3MECI30417	SWITCH - D.15 TIG.	1
SA1	3MECI75805	SWITCH	1
SA2	3MECI34120	SWITCH - T 115-EA	1
SB1	3MECI00536	BUTTON - D.25	1

Rear Wheels



16	3VTVT14062	SCREW - TE 5X16 UNI5739	2
17	3VTRS00291	WASHER - D. 5 X20 ZC UNI 6593	2
18	3VTVT62920	SCREW - TE F/ROOND. M 6X 16 ZB	4
19	3VTRS04026	WASHER - D. 6X18X2.38	4
20	3VTDD00491	NUT - M 6 TEF	4
21	3VTVT75725	SCREW - TBEI M 6X 10 ISO 7380 ZB	2
22	3VTRS63242	WASHER - D. 6 X24 ZC	2
23	3VTRS21763	WASHER - D.17	6
24	3VTRS00364	THICKNESS - 18X25X1	2
27	3VTVT75721	SCREW - TTDE UNI 5732 6 X 16 ZB	4
28	3VTRS00503	WASHER - D. 6 TE UNI 6798	4
29	3VTDD00491	NUT - M 6 TEF	4