

OPERATION MANUAL



HURRICANE 250 XT

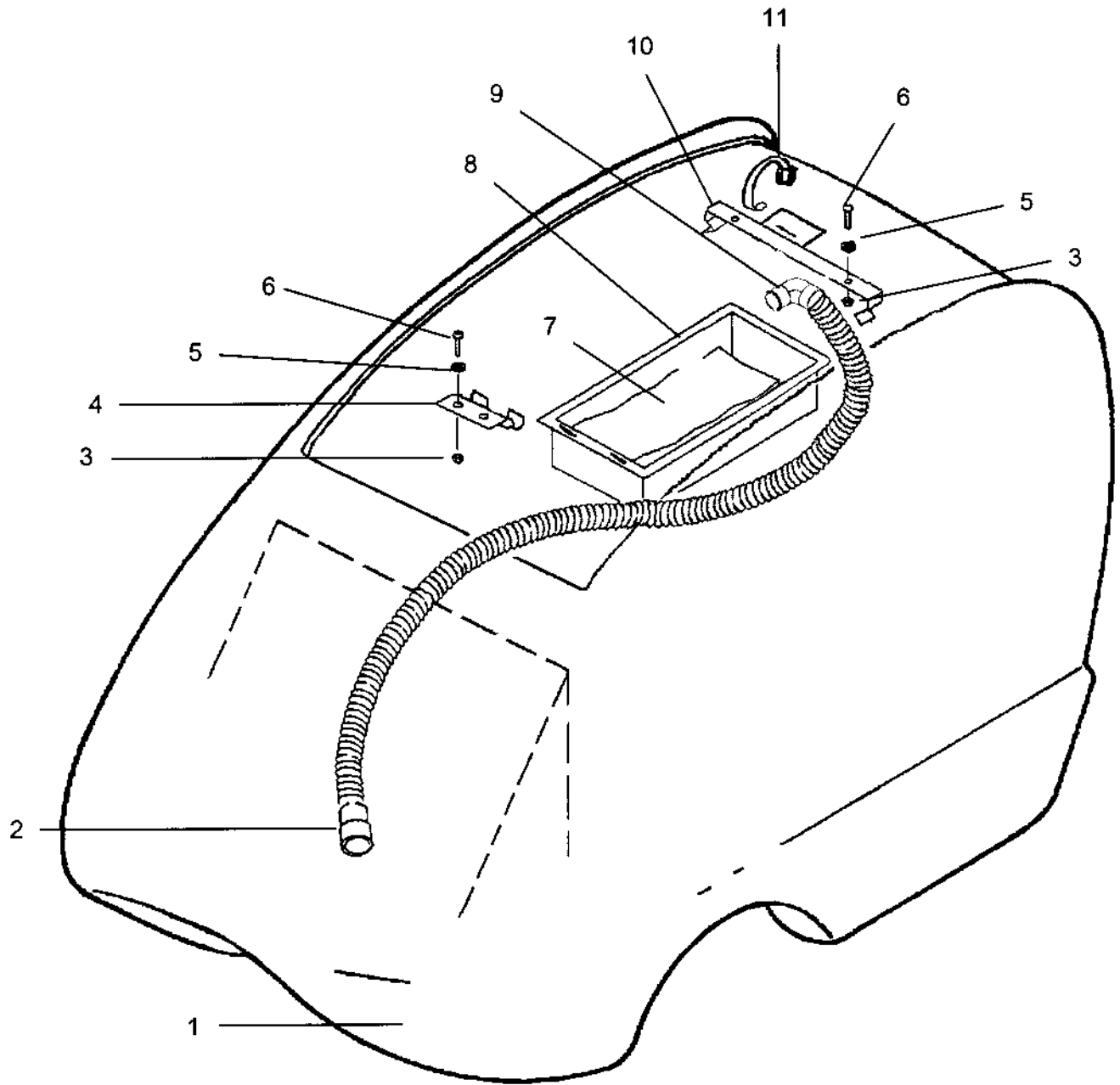
BATTERY BURNISHER

Item Code 19329
Edition 02 01 23

ELECTRICAL DIAGRAM PARTS LIST

PART NO.	QTY	DESCRIPTION	SERIAL NO. FROM	NOTES:
3-41372	REF	HARNESS, BATT BURNISHER CONTROL		
3-41370	1	HARNESS, BATT BURNISHER TRACTION		
3-880275	1	WIRE, 13" RED/14 76029 X 76029		
3-880034	1	WIRE, 6" BLK/18 76011 X 76040		
3-81365	REF	WIRE, 4GA X 24.5 BLK		
3-880257	2	WIRE, 4GA X 50.0 BLK		
3-880079	1	WIRE, 10" RED/6 76130L X 76130L		
3-880078	1	WIRE, 9" RED/6 76131L X 76130L		
3-880087	1	WIRE, 14" RED/18 76031 X 76040		
3-67444	1	RESISTOR ASM, 100 OHM		
3-29196	1	DIODE ASM, PIGGYBACK TERMINAL		

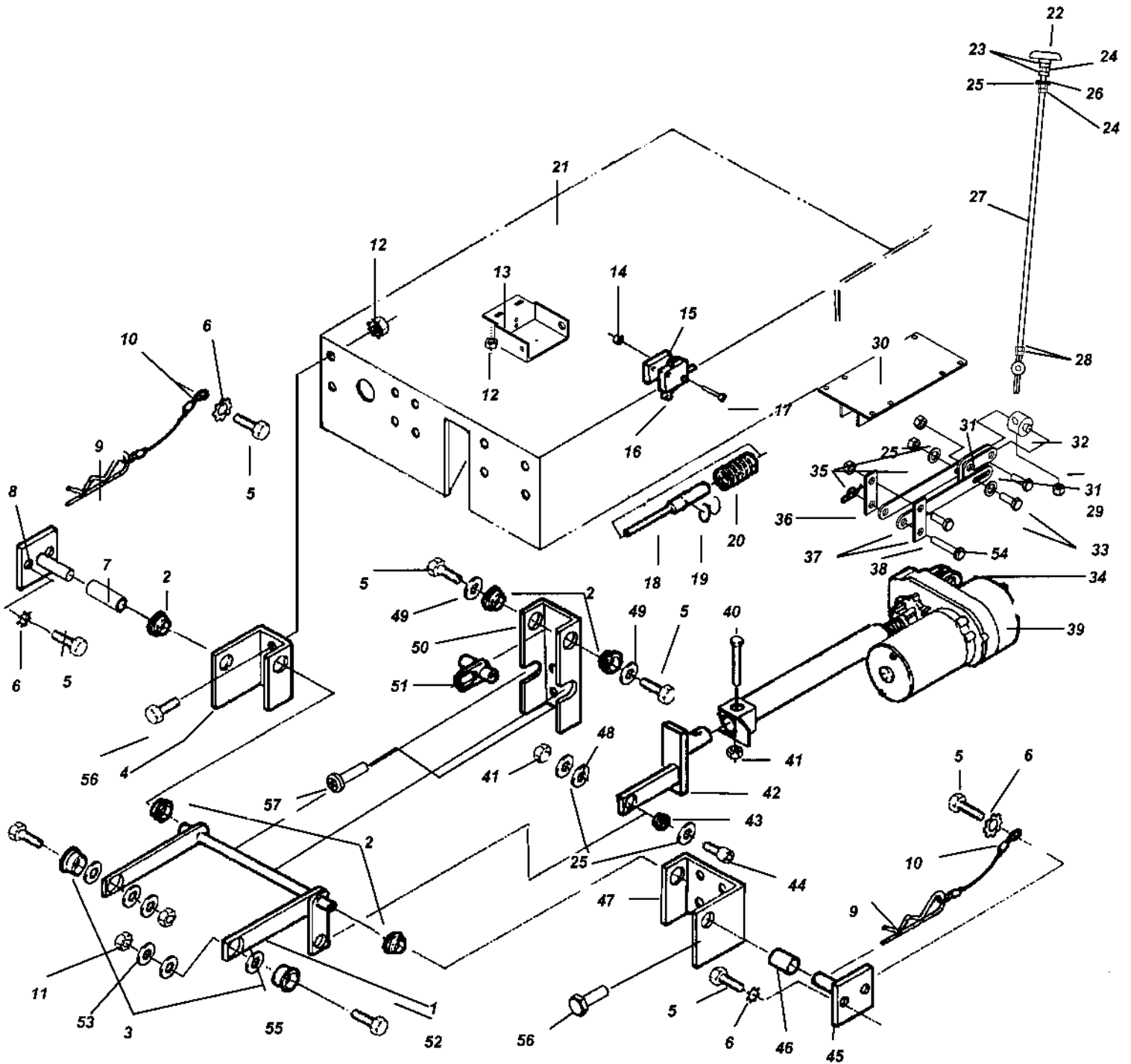
HOOD GROUP



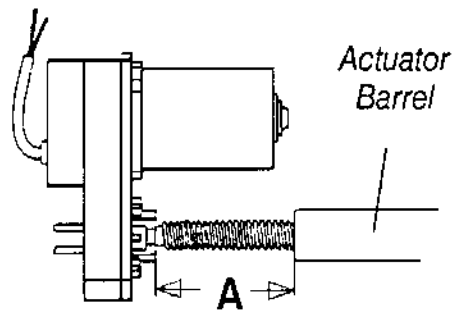
HOOD GROUP PARTS LIST

REF	PART NO.	QTY	DESCRIPTION	SERIAL NO. FROM	NOTES:
1	3-27886	1	COVER, BATT BRNSHR DK BLU		
2	3-27759	1	CUFF, HOSE 1.5" C BLK A 2161		
3	3-57104	4	NUT, 10-32 W/STAR WASHER PLTD		
4	3-14399	1	BRKT, FILTER COVER HINGE		
5	3-87018	4	WASHER, #10 X 9/16OD		
6	3-70484	4	SCR, 10-32 X 5/8 PPHMS SS		
7	3-2003SM	1	FILTER BAGS, 10/PKG		
8	3-27880	1	COVER, FILTER		
9	3-39550	1	HOSE ASM, 1.5 BLK VAC X 50		
10	3-14398	1	BRKT, FILTER COVER LATCH		
11	3-20046	1	CLAMP, 2.25" WORM GEAR		

LIFT LINKAGE GROUP



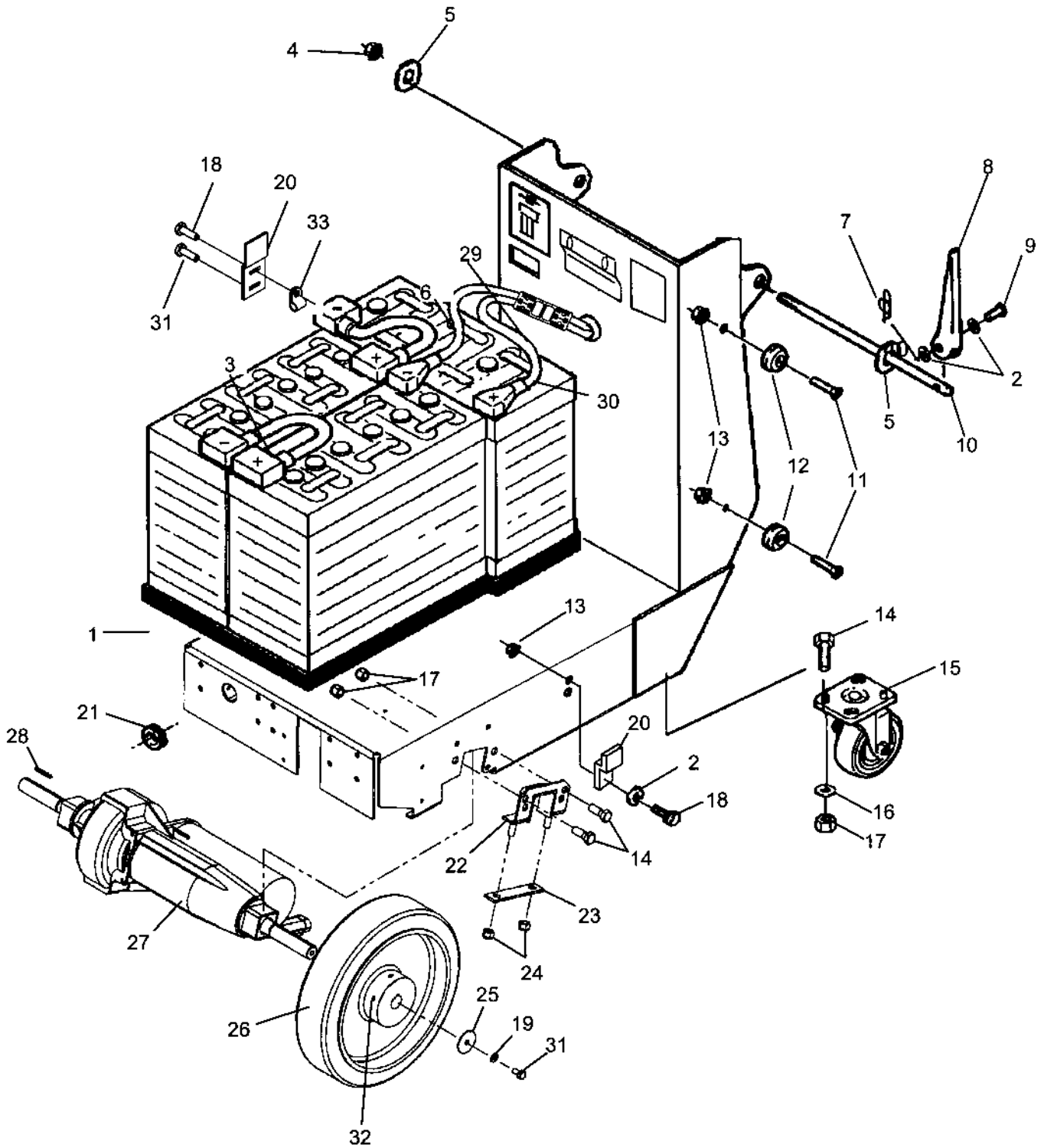
NOTE: If the actuator is replaced, this distance(A) should be equivalent to two full turns of actuator barrel.



LIFT LINKAGE GROUP PARTS LIST

REF	PART NO.	QTY	DESCRIPTION	SERIAL NO. FROM	NOTES:
1	3-51333	1	LINKAGE, DECK LIFTING		
2	3-14708	5	BUSH, BRZ FLG .51 X .75 X .25		
3	3-14593	2	BUSH, BRZ FLG .50 X .75 X .75		
4	3-14706	1	BRKT, SCRUB DECK LINK RT		
5	3-70020	4	SCR, 1/4-20 X 1/2 HHCS SS DL		
6	3-87025	6	WASHER, 1/4 LOCK EXT STAR SS		
7	3-78323	1	TUBE, 5/8"OD X .058W X .930 CRS		
8	3-66201	1	PIVOT ASM, RH COVER		
9	3-66092	2	PIN, COTTER HAIR .093" DIA.		
10	3-27457	2	CORD, COVER PIN		
11	3-57118	2	NUT, 1/2-13 HEX NYLOCK		
12	3-57105	16	NUT, 1/4-20 HEX W/ STAR WASHER		
13	3-14387	1	BRKT, MICROSWITCH MOUNT		
14	3-57163	2	NUT, 4-40 W/ STAR WASHER		
15	3-73456	2	SPACER, PLUNGER SWITCH		
16	3-72053	1	SWITCH, 125VDC SP NC ROLLER		
17	3-70580	2	SCR, 4-40 X 1.0 PPHMS		
18	3-66266	1	PLUNGER, MICROSWITCH		
19	3-27721	2	CLIP, RETAINING 7/16		
20	3-73576	1	SPRING, COMP .60D X 2.0L X .045W		
21	3-34371	1	FRAME, BATT BURN		
22	3-48077	1	KNOB, 3.50OD X 3/8-16 THRU HOLE		
23	3-80102	2	SPACER, .500OD X .391ID X .400		
24	3-57085	3	NUT, 3/8-16 HEX JAM		
25	3-87003	6	WASHER, 3/8ID X 7/8OD SS		
26	3-87206	1	WASHER, THRUST .51ID X 1OD X .063		
27	3-730014	1	SHAFT, PAD ADJUST		
28	3-57217	2	NUT, 3/8-24 HEX JAM		
29	3-57216	1	NUT, 3/8-24 HEX NYLOCK		
30	3-14386	1	BRKT, ACTUATOR		
31	3-14375	2	BELLCRANK, PAD ADJUSTING		
32	3-66331	1	PIVOT, PAD ADJUST		
33	3-70070	2	SCR, 3/8-16 X 2 HHCS		
34	3-81406	1	PIN, CLEVIS 3/8 X 2		
35	3-57119	3	NUT, 3/8-16 HEX NYLOCK		
36	3-80606	1	COTTER, 3/8" RING		
37	3-51332	2	LINK, PAD ADJUST		
38	3-51152	2	LINK, ACTUATOR PIVOT		
39	3-05147	1	ACTUATOR, 36VDC 2.6 STK DBLSPD		
40	3-70368	1	SCR, 3/8-16 X 1-3/4 HHCS PLTD		
41	3-57022	2	NUT, 3/8-16 HEX NYLOCK THIN SS		
42	3-51336	1	LINKAGE, ACTUATOR		
43	3-14400	1	BUSHING, .377ID X .627OD X .63		
44	3-70266	1	SCR, 3/8-16 X 1" HHCS GR5 PLTD DL		
45	3-66149	1	PIVOT ASM, COVER		
46	3-14725	1	BUSH, BRZ .50 X .75 X .69		
47	3-14704	1	BRKT, SCRUB DECK LINK LT		
48	3-87088	1	WASHER, 5/8ID X 1.18 X .06 SS		
49	3-87013	2	WASHER, 1/4ID X 5/8OD SS		
50	3-14705	1	BRKT, SCRUB DECK LINK MID		
51	3-51151	1	LINKAGE ASM, DECK GUIDE ADJ (F)		
52	3-70511	2	SCR, 1/2-13 X 1.5 HHCS GR5 PLTD		
53	3-87080	2	WASHER, .5 X 1.25 FLAT GR8 PLTD		
54	3-70508	1	SCR, 3/8-16 X 2.25 HHCS GR5PLT		
55	3-87156	4	WASHER, .751 X 1.25 OD X .125 THK NYL		
56	3-70015	6	SCR, 1/4-20 C 3/4 HHCS SS		
57	3-70481	4	SCR, 1/4-20 C 3/4 BHCS		

CHASSIS/DRIVE ASSEMBLY



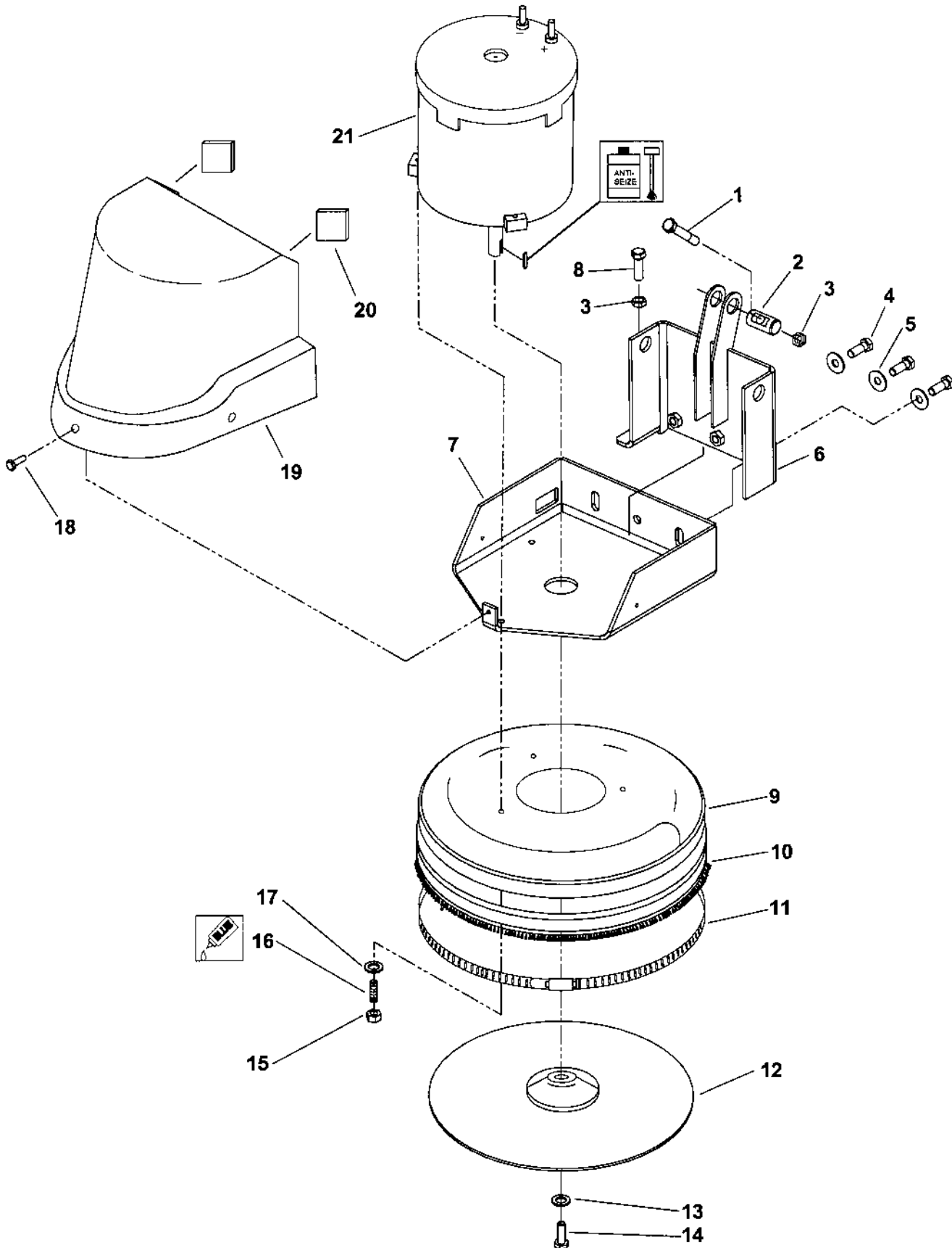
CHASSIS/DRIVE ASSEMBLY PARTS LIST

REF	PART NO.	QTY	DESCRIPTION	SERIAL NO. FROM	NOTES:
1	3-78231	1	TRAY, BATTERY		
2	3-87013	4	WASHER, 1/4 ID X 5/8 OD SS		
3	3-23125	2	WIRE, 4 X 15 BCLAMP X BCLAMP		
4	3-57032	1	NUT, 3/8-16 SERRATED FLG		
5	3-87080	2	WASHER, .5 X 1.25 FLAT		
6	3-23191	1	CABLE, 4 X 27 BK BCLAMP X CTERM		
7	3-80604	1	COTTER, 1/4" RING		
8	3-51142	1	LEVER, HANDLE LOCK		
9	3-66133	1	PIN, CLEVIS 3/16" X 7/8" L		
10	3-67438	1	ROD, HANDLE ADJUSTMENT		
11	3-70201	4	SCR, 1/4-20 X 3/4 FHCS		
12	3-73454	4	SPACER, MAIN COVER		
13	3-57105	8	NUT, 1/4-20 HEX W/STAR WASHER		
14	3-70266	8	SCR, 3/8-16 X 1" HHCS GR5 PLTD DL		
15	3-18027	1	CASTER, 4" POLYURETHANE SWIVEL		
16	3-87003	4	WASHER, 3/8 ID X 7/8 OD SS		
17	3-57119	8	NUT, 3/8-16 HEX NYLOCK		
18	3-70020	3	SCR, 1/4-20 X 1/2 HHCS SS DL		
19	3-87162	2	WASHER, 1/4 SPLIT LOCK		
20	3-14730	2	BRKT, BATTERY RETAINER		
21	3-36125	1	GROMMET, 3/4 ID X 1.38 OD		
22	3-89105	2	WELDMENT, BRKT AXLE SUPPORT		
23	3-66333	2	PLATE, TRANSAXLE MOUNTING		
24	3-57113	4	NUT, 5/16-18 HEX NYLOCK		
25	3-87008	2	WASHER, 1/4 ID X 1-1/4 OD PLTD		
26	3-89205	2	WHEEL, 10" X 2.5" X .75 GRAY		
27	3-78434	1	TRANSAXLE, 36VDC		
28	3-48008	2	KEY, 3/16 X 1.75		
29	3-23190	1	CABLE, 4 X 27 RD BCLAMP X CTERM		
30	3-80682	1	CONNECTOR, BATTERY GRY 175AMP		
31	3-70015	3	SCR, 1/4-20 X 3/4 HHCS SS DL		
32	3-70251	2	SET SCR, 1/4-20 X 1.0 PLTD DL		SERVICE ONLY
33	3-80887	1	CLAMP, 7/8 DIA "P" CUSHIONED		

HANDLE ASSEMBLY PARTS LIST

REF	PART NO.	QTY	DESCRIPTION	SERIAL NO. FROM	NOTES:
1	3-57247	1	NUT, PLATE SWITCH MOUNTING		
2	3-70309	1	SCR, 6-32 X 1/4 HHTC -F- PLTD		
3	3-36200	1	GRIP, FOAM .75ID X .27W X 21.0		
4	3-14393	1	BAR, SWITCH ACTUATOR		
5	3-78445	1	TUBE, HANDLE ADJUSTMENT		
6	3-73450	1	SPRING, SAFETY SWITCH		
7	3-70383	1	SCR, 10-32 X 3/4 PHTR PLTD		
8	3-57104	1	NUT, 10-32 W/ STAR WASHER PLTD		
9	3-41372	1	HARNESS, BATT BURN CONTROLLER		
10	3-51184	2	LOCK, HANDLE ADJUSTMENT		
11	3-48043	1	KNOB, SPEED CONTROL		
12	3-500185	REF	LABEL, BURNISHER SPEED CONTROL		
13	3-27878	1	COVER, SWITCH		
14	3-70351	4	SCR, 10-32 X 3/8 HHTR W/STAR		
15	3-41375	1	HANDLE, TRACTIONI BATT BURN		
16	3-70580	2	SCR, 4-40 X 1.0 PPHMS		
17	3-05126	1	ACTUATOR, TANDEM SWITCH		
18	3-72168	1	SWITCH, MOMENTARY, DSPT		
19	3-66332	1	PLATE, SWITCH GUARD		
20	3-72158	2	SWITCH, 10A PLUNGER MINI		
21	3-70228	4	SCR, 10-32 X 1/4 PPHMS SS DL		
22	3-87018	4	WASHER, #10 X 9/16 OD		

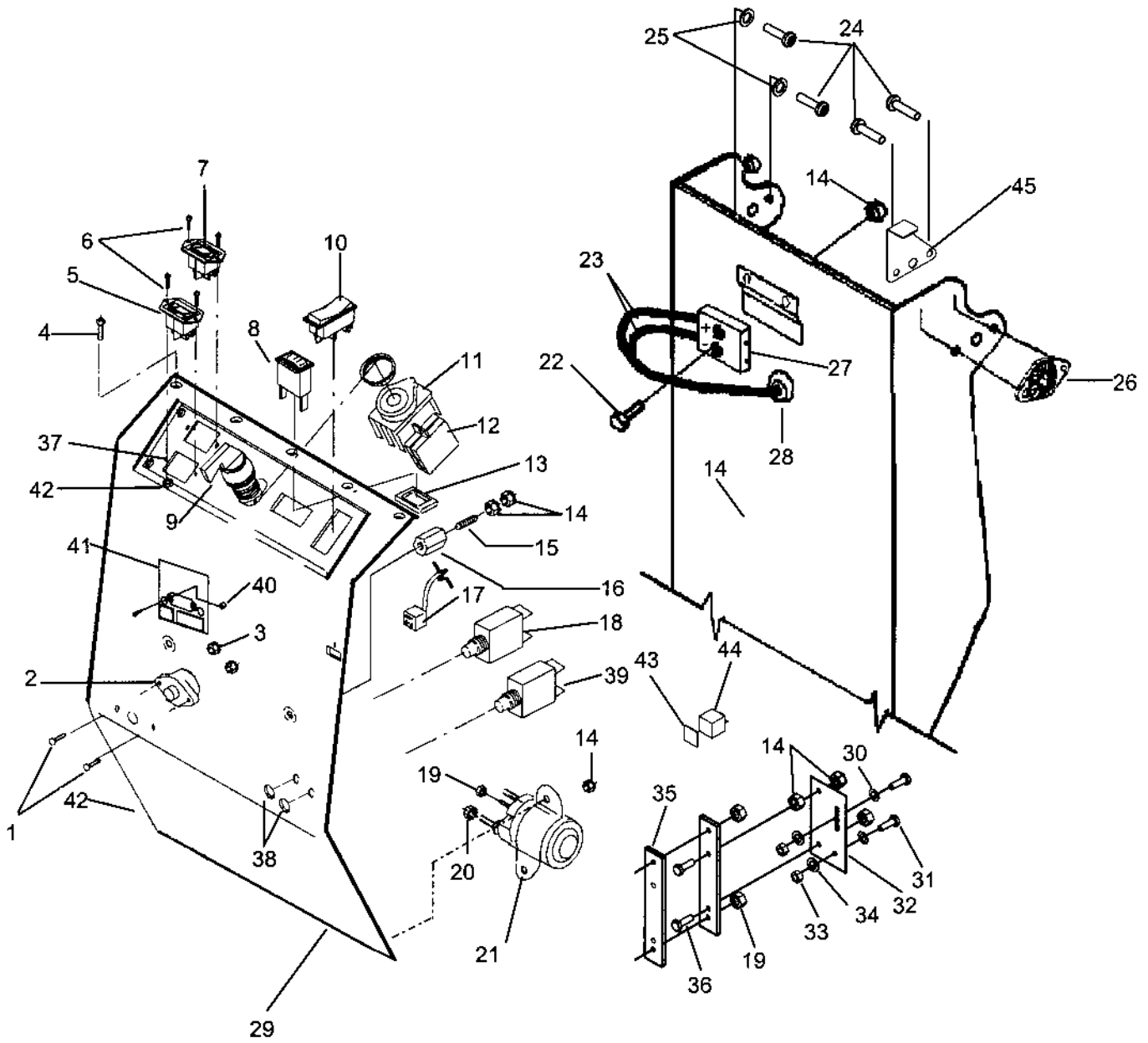
DECK LIFT MECHANISM



DECK LIFT MECHANISM PARTS LIST

REF	PART NO.	QTY	DESCRIPTION	SERIAL NO. FROM	NOTES:
1	3-70508	1	SCR, 3/8-16 X 2.25 HHCS GR5PLT		
2	3-140425	1	BUSHING, BURNISHER		
3	3-57085	4	NUT, 3/8-16 HEX JAM		
4	3-70266	3	SCR, 3/8-16 X 1" HHCS GR5 PLT		
5	3-87003	3	WASHER, 3/8 ID X 7/8 OD SS		
6	3-54177	1	MOUNT BRKT, BURNISHER		
7	3-140426	1	BRKT, DECK MOUNT		
8	3-70377	1	SCR, 3/8-16 X 1.25 HHCS BR5 PLT		
9	3-730019	1	SHROUD, BATT BURN		
10	3-730017	1	SKIRT, BURNISHER SHROUD		
11	3-20077	1	CLAMP, WORM #HS356		
12	3-64105	1	PAD DRIVER ASSEMBLY 19"		
13	3-87102	1	WASHER, 5/4 ID X 1-1/4 OD		
14	3-70244	1	SCR, 5/16-24 X 1/2 HHMS SS		
15	3-57105	3	NUT, 1/4-20 HEX W/STAR WASHER		
16	3-70393	3	SET SCR, 1/4-20 X 1.25L		
17	3-87013	3	WASHER, 1/4 ID X 5/8 OD SS		
18	3-70351	3	SCR, 10-32 X 3/8 HHTR W/STAR		
19	3-27427	1	COVER, L2020B MTR COVER		
20	3-35187	2	GASKET, TUBE SEAL		
21	3-53643	1	MOTOR, 36VDC 2.5HP 2500RPM		
22	3-51340	REF	LOCK, PAD DRIVER L/H BIG MOUTH		SERVICE ONLY

ELECTRICAL CONTROLS



ELECTRICAL CONTROLS PARTS LIST

REF	PART NO.	QTY	DESCRIPTION	SERIAL NO. FROM	NOTES:
1	3-70013	2	SCR, 8-32 X 3/4 PPHMS		
2	3-140182	1	BREAKER, CIRCUIT 60AMP THERMAL		
3	3-57026	2	NUT, 8-32 HEX NYLOCK		
4	3-70406	8	SCR, #10B X 3/8 PHSM BLK		
5	3-54092	1	METER, 0-60VDC HOUR		
6	3-70394	4	SCR, 6-32 X 1/2 THMS BLK ZINC		
7	3-54144	1	METER, 36V BATTERY CHARGE LEVEL		
8	3-54131	1	METER, 0-70AMP DC		
9	3-02125	1	SWITCH, MAIN ROTARY (KEY)		
10	3-72128	1	SWITCH, DPDT 2-POSITION ROCKER		
11	3-72088	1	SWITCH, CONTACT BLOCK CHIP		
12	3-72089	1	SWITCH, CONTACT MODULE NO		
13	3-62283	1	PLATE, METER RETAINING		
14	3-57105	12	NUT, 1/4-20 HEX W/ STAR WASHER		
15	3-70393	1	SET SCR, 1/4-20 X 1.25L		
16	3-73659	1	STANDOFF, 1/4-20 X 1.0 HEX INS		
17	3-27554	1	CONN., MOLEX 6-PIN RECEPT. (M)		
18	3-14717	1	BREAKER, 3 AMP		
19	3-57104	4	NUT, 10-32 W/ STAR WASHER PLTD		
20	3-57117	2	NUT, 5/16-24 HEX PLTD		SERVICE ONLY
21	3-67315	1	RELAY, 36VDC 100AMP HVY DUTY		
22	3-70010	2	SCR, 1/4-20 X 1.5 HHCS		
23	3-81365	2	WIRE, 4 X 24.5 BK C.TERM X 5/16 RING		
24	3-70228	4	SCR, 10-32 X 1/4 PPHMS SS DL		
25	3-87018	4	WASHER, #10 X 9/16OD		
26	3-51184	2	LOCK, HANDLE ADJUSTMENT		
27	3-80682	1	CONNECTOR, BATTERY GRY 175 AMP		
28	3-36020	1	GROMMET, 5/8ID X 1.12OD		
29	3-66325	1	PANEL, ELECTRIC		
30	3-87026	2	WASHER, #6 LOCK EXT STAR SS		
31	3-70615	2	SCR, 6-32 X 3/8 SRHMS BR		
32	3-73445	1	SHUNT, 50MV 70 AMP		
33	3-57256	2	NUT, 6-32 HEX BRASS		
34	3-87187	2	WASHER, #6 FLAT BRASS		
35	3-14729	2	BRKT, SHUNT MOUNTING		
36	3-70201	2	SCR, 1/4-20 X 3/4 FHCS		
37	3-500184	1	LABEL, BURNISHER PANEL		
38	3-57024	2	NUT, 3/8-27 PANEL PLTD		
39	3-14700	1	BREAKER, 15A CIRCUIT		
40	3-73734	2	SPACER, .166ID X .313OD X .375L AL		
41	3-27579	1	CONTROLLER, 36VDC 1.8 SEC DELAY		
42	3-57116	6	NUT, 6-32 W/ STAR WASHER PLTD		
43	3-99817	1	TAPE, 1/32T X 1.0 2SA		
44	3-67445	1	RELAY, 24VDC 40A		
45	3-14425	1	BRKT, HANDLE STOP		
46	3-82488	1	KEY, ROTARY IGN. SWITCH		SERVICE ONLY

SUGGESTED SPARE PARTS

PART NO.	DESCRIPTION	SERIAL NO. FROM	NOTES:
3-14717	BREAKER, 3 AMP		
3-140182	BREAKER, CIRCUIT 60 AMP		
3-18027	CASTER, 4" POLYURETHANE SWIVEL		
3-23125	CABLE ASM, BATTERY JUMPER X 15		
3-23190	CABLE, 4 X 27 RD BCLAMP X CTERM		
3-23191	CABLE, 4 X 27 BK BCLAMP X CTERM		
3-51359	LOCK, PAD L/H RM		
3-64105	PAD DRIVER ASM, 20"		
3-67315	RELAY, 36VDC 100A		
3-02125	SWITCH, MAIN ROTARY (KEY)		
3-72053	SWITCH, 125VDC SP NC ROLLER		
3-72088	SWITCH, CONTACT BLOCK CLIP		
3-72089	SWITCH, CONTACT MODULE NO.		
3-72128	SWITCH, DPDT 2-POSITION ROCKER		
3-02100	HYDROMETER		
3-2003SM	FILTER BAG PACKS, 10/PKG		
3-78231	BATTERY TRAY		
3-27579	CONTROLLER, 36VDC 1.8SEC DELAY		
3-72158	SWITCH, 10A PLUNGER MINI		
3-72168	SWITCH, MOMENTARY DPST		