

Parts Manual Manuel de pièces



DB Do All

Automatic Scrubber

Code: 19337

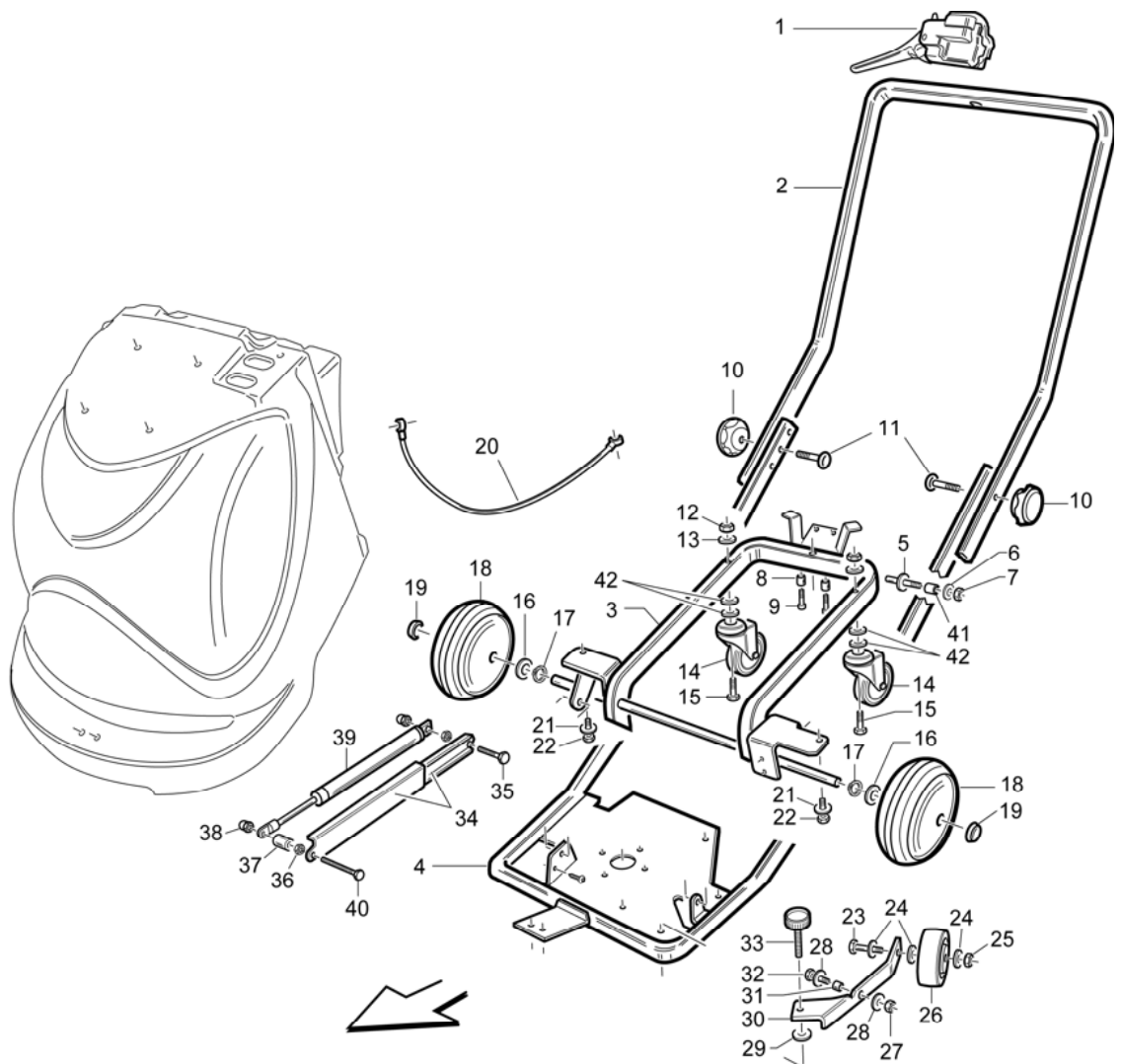
Serial #: _____

Date of Purchase: _____

More info : www.dustbane.ca

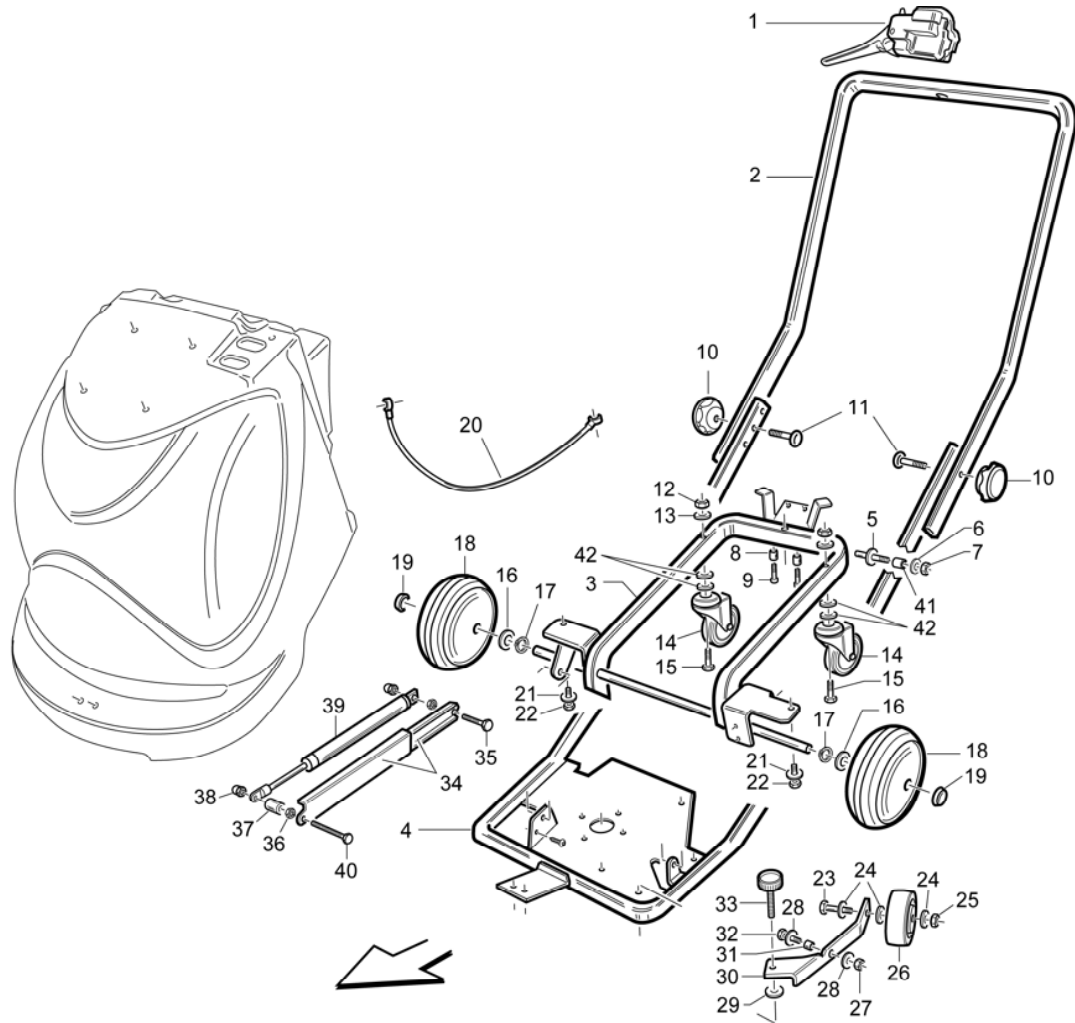
07-2010

Frame



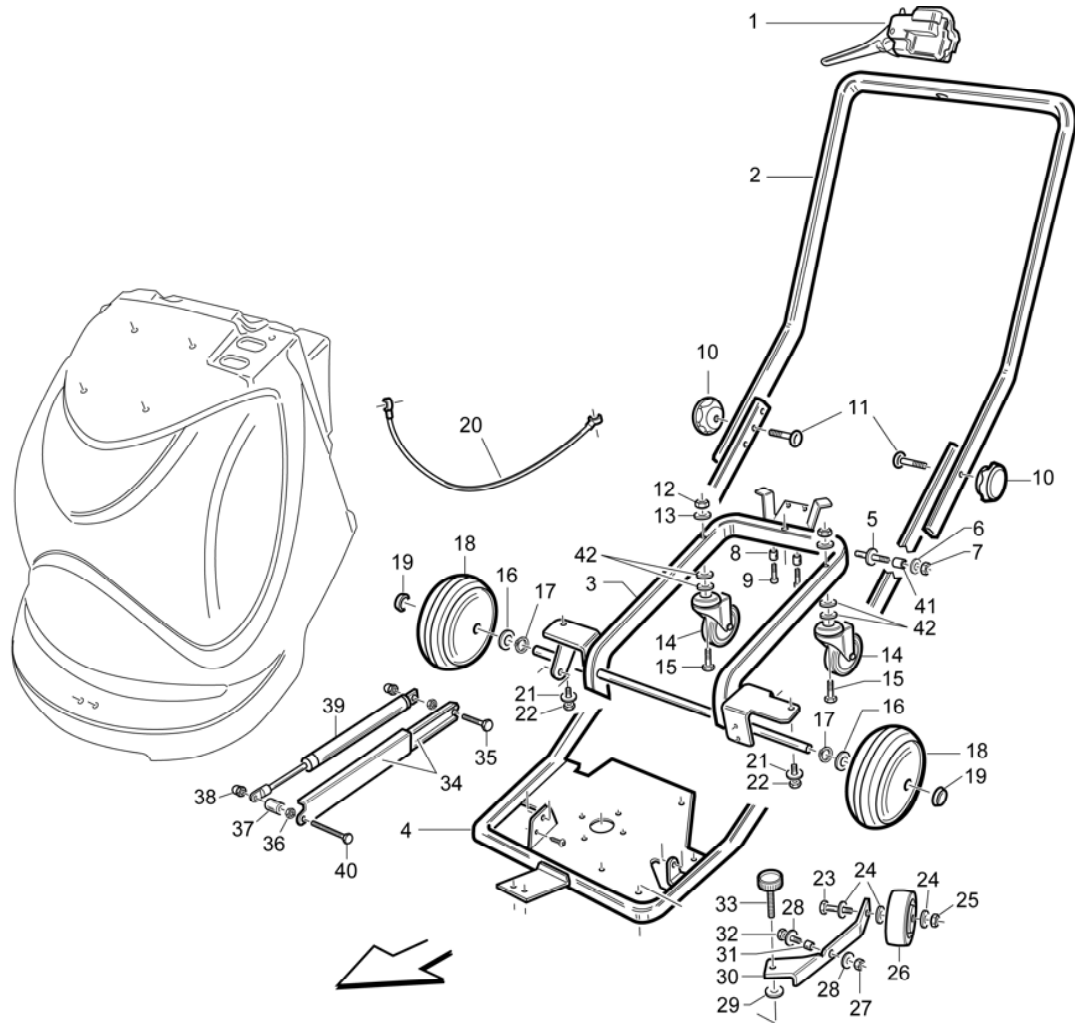
Ref.	Part N.	Description	Quantity	Validity From	Validity To
1	3MEVR01732	HANDLE	1		
2	3LAFN06702	TUBE	1		
3	3LAFN06704	TUBE	1		
4	3LAFN06705	FRAME	1		
5	3LAFN06710	PIN	2		
6	3VTRS13946	WASHER D. 8 X24 INX UNI 6593	2		
7	3VTDD01695	NUT M 8 INX	2		
8	3LAFN04067	BUSHING	2		
9	3VTVT17720	SCREW TCEI M 5X16 INOX	2		
10	3MPVR05374	KNOB	2		
11	3VTVT01143	SCREW TTQDE M8X35	2		
12	3VTDD10310	NUT M10 INOX DIN 985	2		

Frame



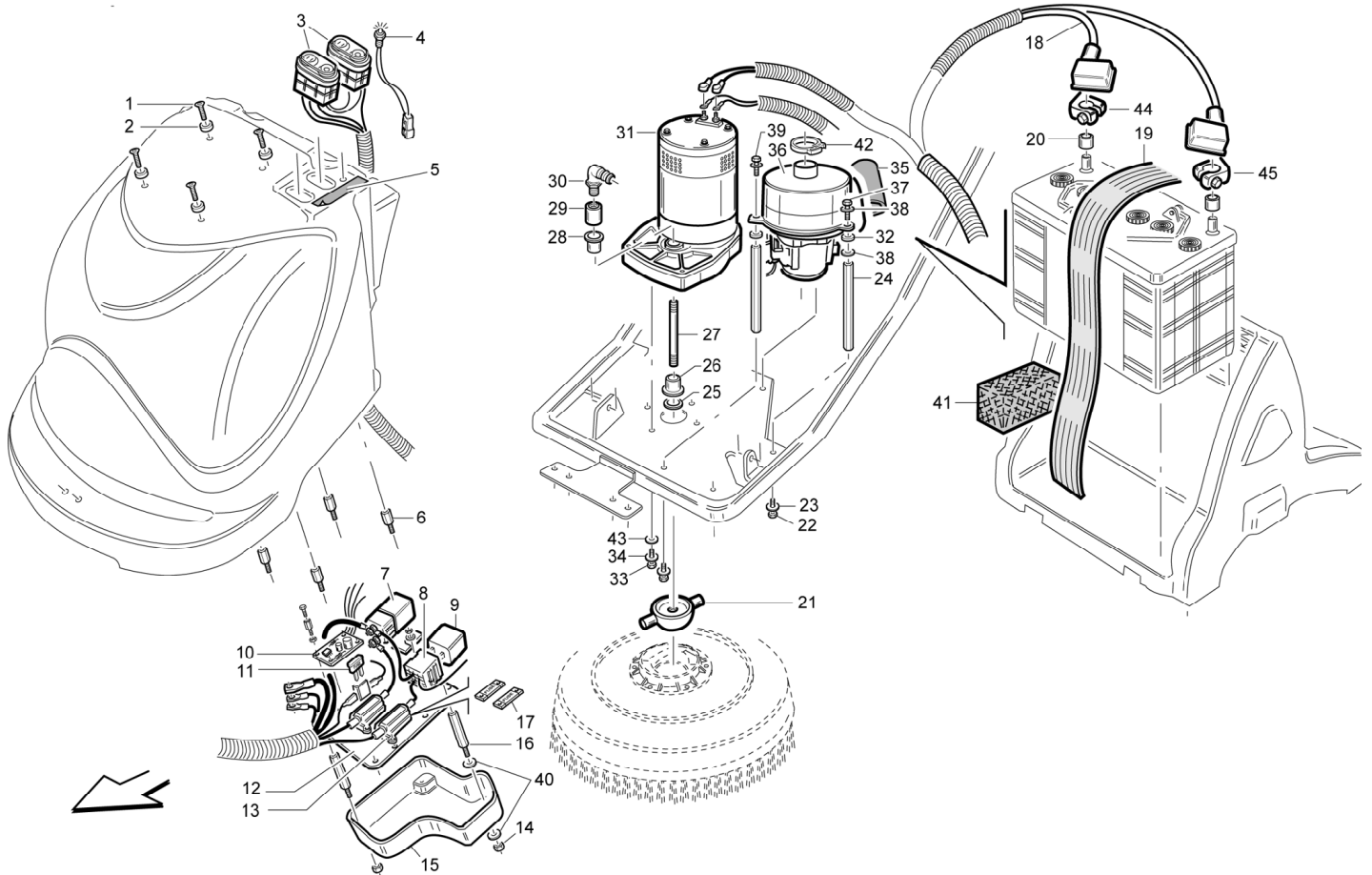
13	3VTRS15523	WASHER D.10 X21 INOX UNI 6592	2
14	3RTRT00513	WHEEL 2870	2
15	3VTVT01679	SCREW TCEI M 10X50	2
16	3VTRS09142	WASHER D.12 X 36	2
17	3VTAE00051	CIRCLIP	2
18	3RTRT00039	WHEEL	2
19	3VTVR00305	WASHER	2
20	3CMCV00353	CABLE	1
21	3VTRS15523	WASHER	2
22	3VTVT00715	SCREW TE M.10-35	2
23	3VTVT00836	SCREW TE M12-60 INOX	1
24	3VTRS15978	WASHER D.12X24 UNI 6592 INX	2
25	3VTDD00176	NUT M.12 INOX A2	1
26	3RTRT49171	CASTER D. 80-12	1
27	3VTDD19689	CARRYNG BAG	1

Frame



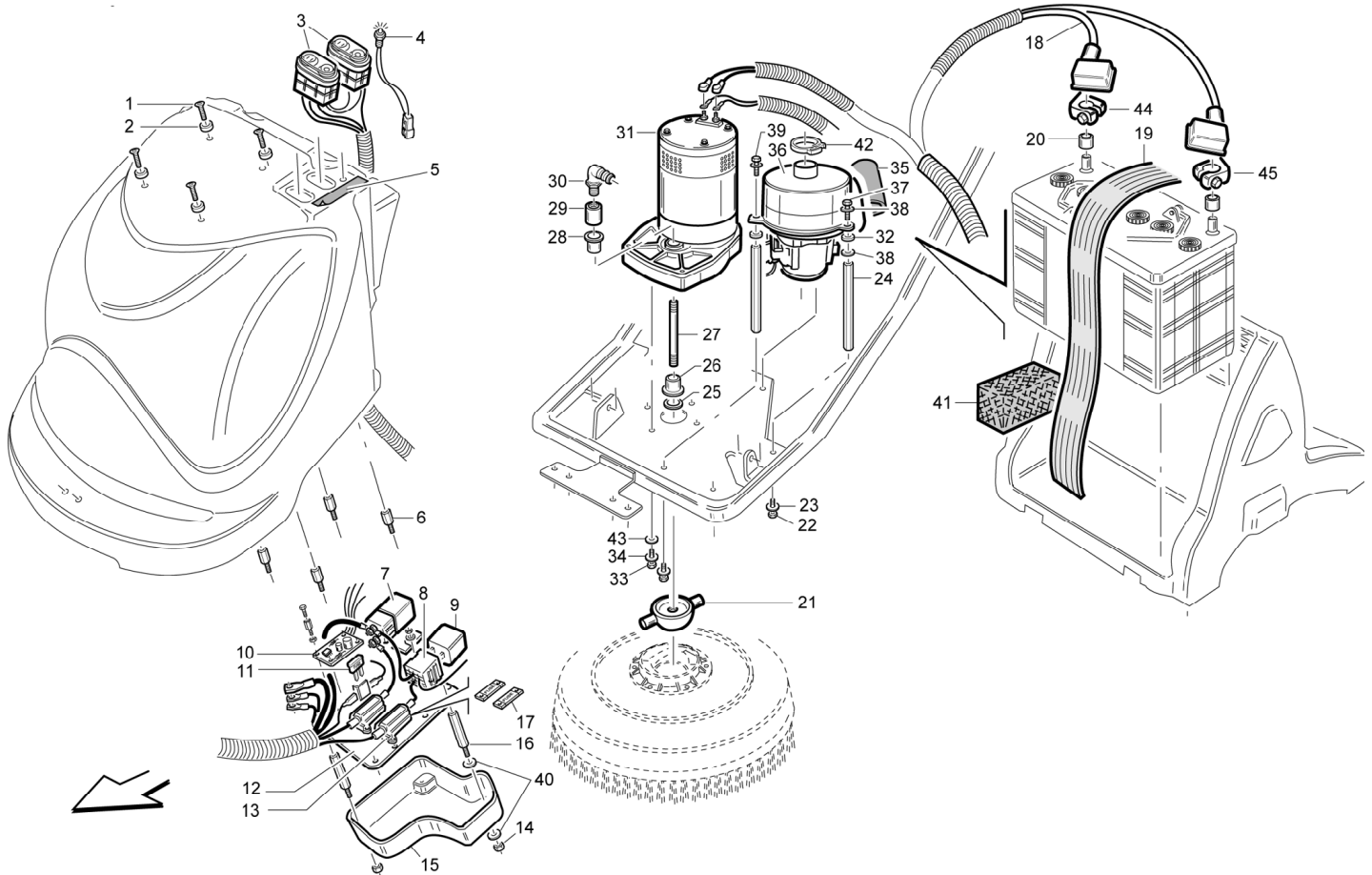
28	3VTRS13947	WASHER D. 8 INX UNI 6592	2
29	3VTRS00374	KNOB	1
30	3LAFN06703	BRACKET	1
31	3RCDS34717	BUSHING D. 9X12X 8.3	1
32	3VTVT15907	SCREW TE 8X25 UNI5739 INX	1
33	3MPVR05375	KNOB	1
34	3LAFN01252	ARM FRONT	1
35	3VTVT13939	SCREW TE 6X20 UNI5739 INX	1
36	3VTDD01694	NUT M 6 INX	1
37	3LAFN03742	SPACER	1
38	3VTDD48188	NUT M 6 CIE. INX A2 UNI 5721	1
39	3MLML00314	SPRING	1
40	3VTVT00392	SCREW M6x35 UNI5739 inox	1
41	3LAFN06711	BUSHING	2
42	3VTRS15978	WASHER D.12X24 UNI 6592 INX	4

Electric. Instal.



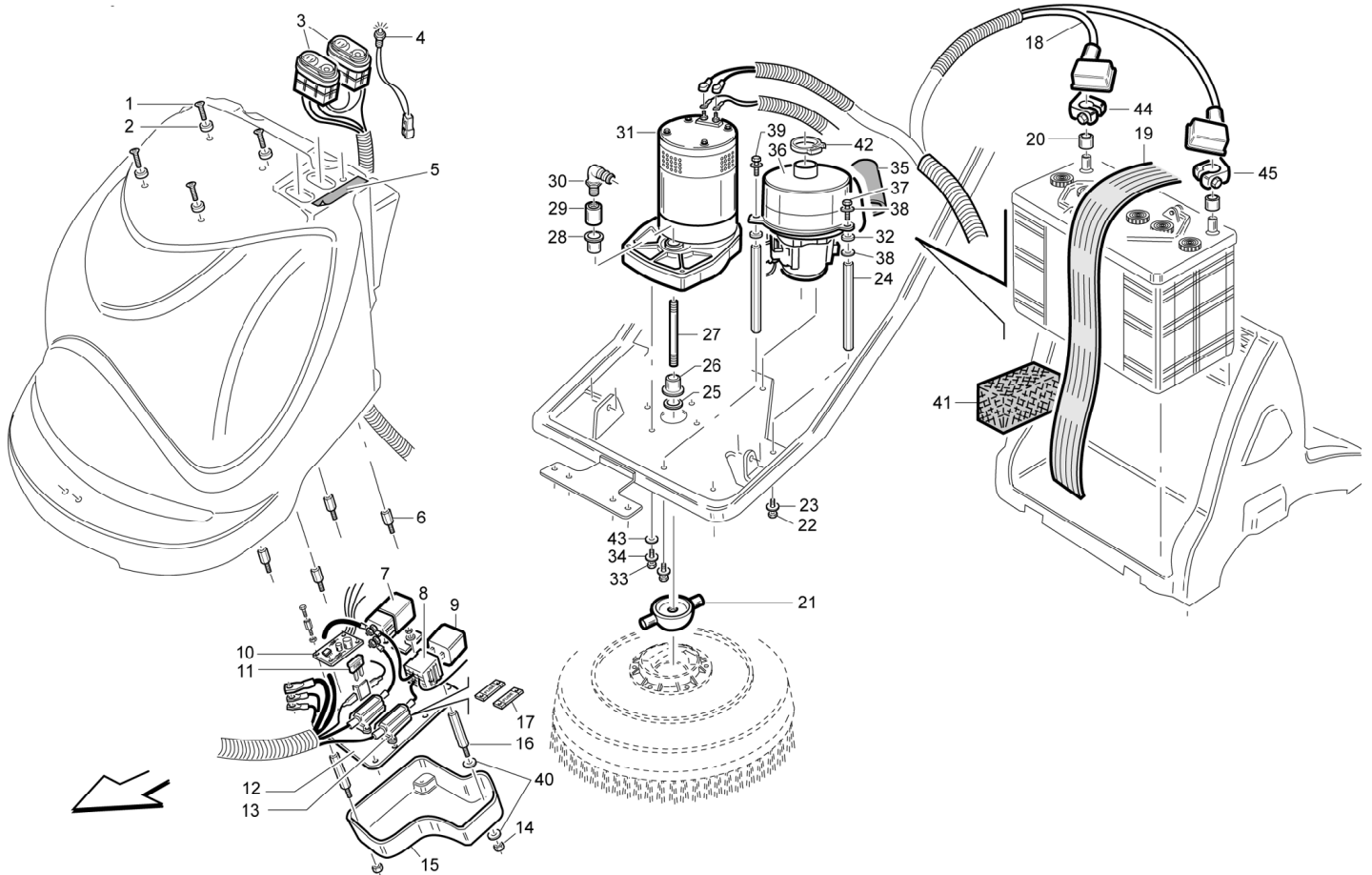
Ref.	Part N.	Description	Quantity	Validity From	Validity To
1	3VTVT00474	SCREW TSCE uni 5933 4x12 ZB	4		
2	3VTRS00119	WASHER UN.SCREWBLACK	4		
3	3MECI00346	SWITCH TTR/L BIP. 24V	2		
4	3MECB01067	WIRING LED CT25	1		
5	3ETET01581	LABEL	1		
6	3VTVR00552	SPACER	4		
7	3METT00080	CONTACTOR E TL 10P 12V 100A	1		
8	3METT00053	BLOCK	1		
9	3MECI00408	RELAY	1		
10	3MECE00473	BOARD CT25	1		
11	3MEVR01133	FUSE 15A 32V	1		
12	3LAFN06870	PLATE CT25	1		
13	3MEVR01332	FUSE-HOLDER	2		07/2009
13	3MEVR31036	FUSE-HOLDER	2	07/2009	
14	3VTDD00481	NUT M4 INOX	2		

Electric. Instal.



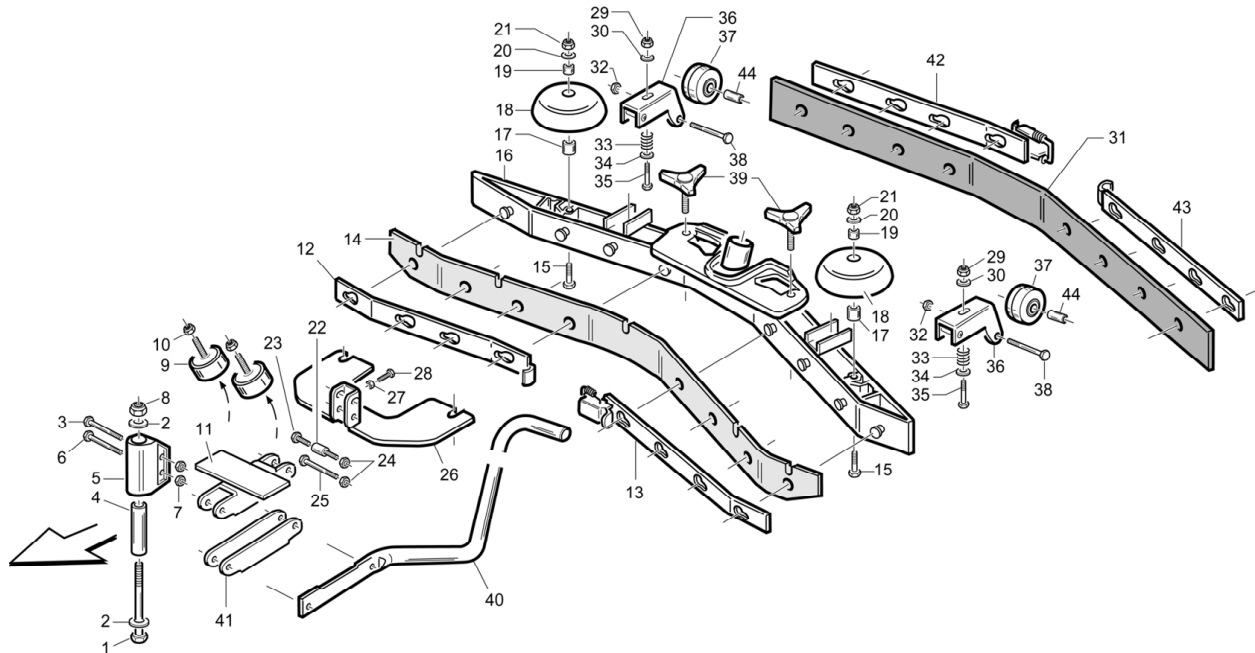
15	3MPVR05350	CONTAINER	1	
16	3VTVR00553	SPACER	2	
17	3MEVR42990	FUSE 60A NST.	2	
18	3MECB01041	WIRING	1	
19	3MPVR02939	BELT	1	
20	3MEVR01737	KIT	1	
21	3MFVR00134	DRIVE DISK	1	
22	3VTVT15143	SCREW TE 6X16 UNI5739	3	
23	3VTRS15144	WASHER D. 6 INX GRW UNI 1751	3	
24	3VTVR00550	SPACER	3	
25	3MPVR02997	CLIP D10	1	05/2009
25	3VTVR00416	HANDWHEEL M 6MAX110 D.35	1	05/2009
26	3CUVR43254	BUSHING CB 85 1010 18T	1	
27	3LAFN04202	SOLUTION HOSE INOX D10	1	
28	3CUVR43254	BUSHING CB 85 1010 18T	1	
29	3LAFN51028	BUSHING	1	

Electric. Instal.



30	3RCVR45752	HOSE FITTING "L" 3/8M - D.10 PLS.	1	
31	3MOCC00338	MOTOR 12V - 390W	1	
32	3MPVR35582	RUBBER LAV.	3	
33	3VTVT15143	SCREW TE 6X16 UNI5739	4	
34	3VTRS15144	WASHER D. 6 INX GRW UNI 1751	4	
35	3KTRI01795	TUBE	1	
36	3MOCC00337	MOTOR 12V	1	
37	3VTVT15143	SCREW TE 6X16 UNI5739	3	
38	3VTRS13945	WASHER D. 6X18 INX UNI 6593	6	
39	3VTVT13939	SCREW TE 6X20 UNI5739 INX	1	
40	3VTRS00515	WASHER D. 4 INX	5	
41	3GUGO00314	MOUSSE	1	07/2008
42	3MEVR00370	CLAMP 44mm - 47,5mm	1	07/2008
43	3VTRS00245	WASHER D.6 UNI 6592 INOX	4	11/2008
44	3MEVR01963	CLAMP	1	
45	3MEVR01962	CLAMP	1	

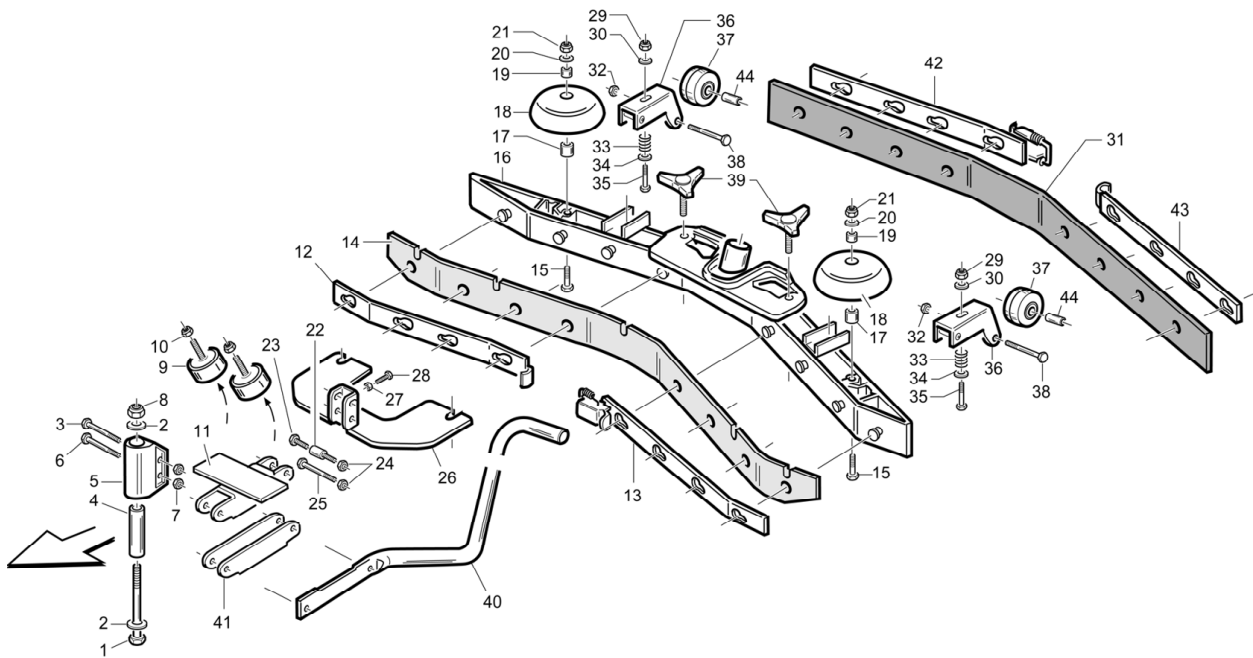
Squeegee



Complete Squeegee Assembly - 3PMVR02003

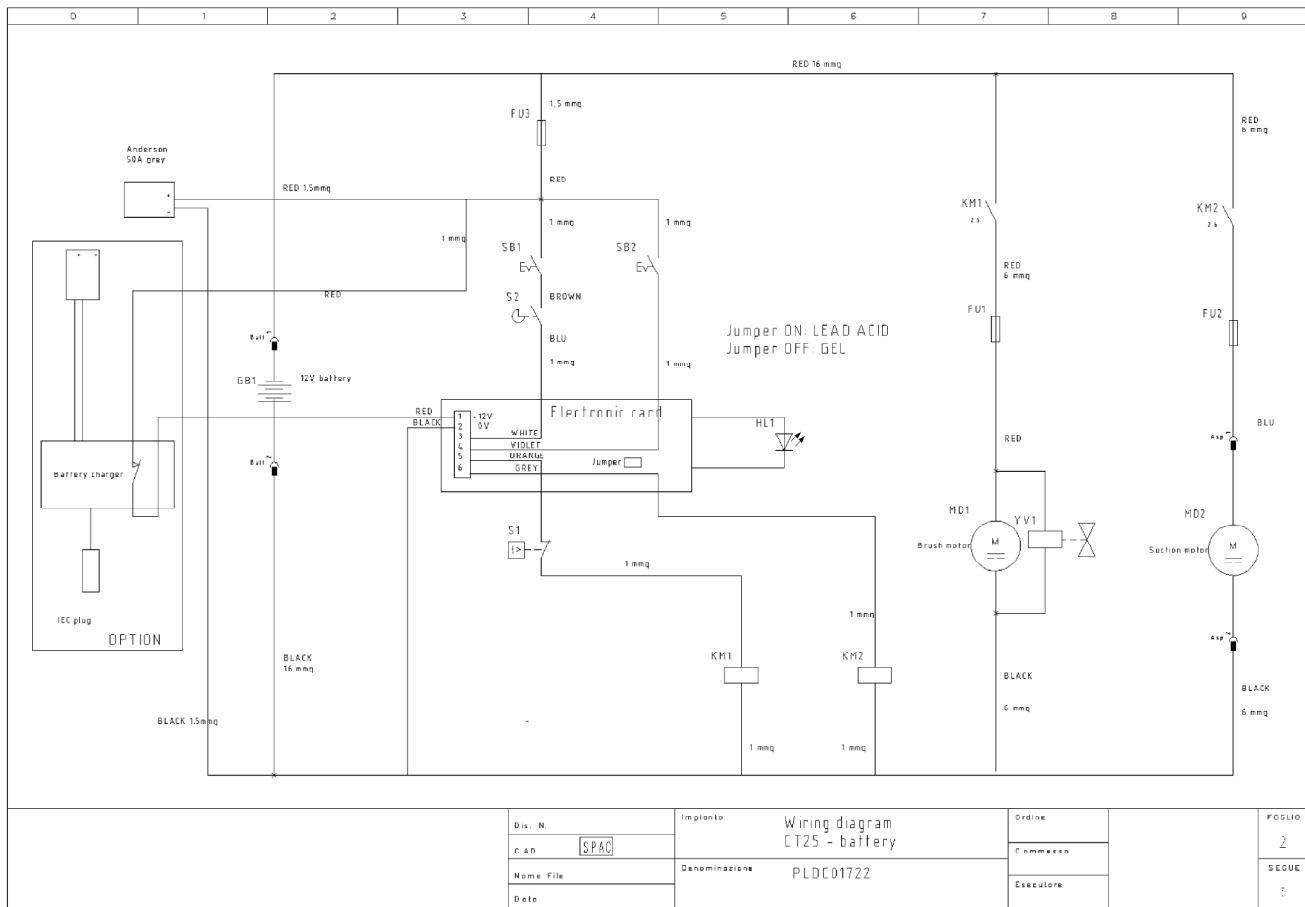
Ref.	Part N.	Description	Quantity	Validity From	Validity To
1	3VTVT01680	SCREW TE M 10X110	1		
2	3VTRS15523	WASHER D.10 X21 INOX UNI 6592	2		
3	3VTVT15142	SCREW TE M 6x45 INOX	1		
4	3LAFN06767	BUSHING	1		
5	3MPVR04734	BLOCK	1		
6	3VTVT15145	SCREW TE 6X40 UNI5739 INX	1		
7	3VTDD01694	NUT M 6 INX	2		
8	3VTDD10310	NUT AUTOBL.M10 INOX DIN 985	1		
9	3MEVR01961	CLAMP SM08.3015	2		10/2008
9	3MEVR01968	CLAMP SM08.3015-A 250N	2	10/2008	
10	3VTDD01693	NUT M 5 INX	2		
11	3LAFN06707	PLATE	1		
12	3LAFN51043	BLADE HOLDER	1		
13	3LAFN51042	BLADE HOLDER	1		
14	3MPVR51017	FRONT BLADE XS	1		
15	3VTVT17342	SCREW TE M 6X 60 UNI 5739 INX	2		
16	3MFVR00143	BODY SQUEEGEE	1		
17	3LAFN04100	SPACER	2		
18	3RTRT43370	CASTER D.100 2V.	2		
19	3MPVR49229	BUSHING SHK	2		
20	3VTRS00245	WASHER D.6 UNI 6592 INOX	2		
21	3VTDD01694	NUT M 6 INX	2		

Squeegee











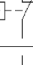










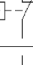
















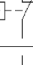





22	3LAFN03742	SPACER	1
23	3VTVT15142	SCREW TE M 6x45 INOX	1
24	3VTDD01694	NUT M 6 INX	2
25	3VTVT15145	SCREW TE 6X40 UNI5739 INX	1
26	3LAFN06706	PLATE	1
27	3VTDD15521	NUT M 8 INX A2 UNI 5588	1
28	3VTVT15907	SCREW TE 8X25 UNI5739 INX	1
29	3VTDD01695	NUT M 8 INX	2
30	3VTRS13947	WASHER D. 8 INX UNI 6592	2
31	3MPVR51016	REAR BLADE XS	1
32	3VTDD01694	NUT M 6 INX	2
33	3MLML49422	SPRING D.15X 45 X1	2
34	3VTRS13947	WASHER D. 8 INX UNI 6592	2
35	3VTVT01304	SCREW M 8X 40 TTQST UNI 5731	2
36	3LAFN05559	SUPPORT	2
37	3RTRT49413	WHEEL D. 60-D.15 X36 NYL.	2
38	3VTVT15515	SCREW TE M 6X 50 INOX A2	2
39	3MPVR05265	KNOB 8X25	2
40	3LAFN06701	TUBE	1
41	3LAFN05853	LEVER ARM	1
42	3LAFN51041	BLADE HOLDER	1
43	3LAFN51040	BLADE HOLDER	1
44	3LAFN04041	SPACER D6/15	2

Electric. Diagram 1



Ref.	Part N.	Description	Quantity	Validity From	Validity To
FU1	3MEVR42990	FUSE 60A NST.	1		
FU2	3MEVR42990	FUSE 60A NST.	1		
FU3	3MEVR01133	FUSE 15A 32V	1		
HL1	3MECB01067	WIRING LED CT25	1		
KM1	3METT00080	CONTACTOR E TL 10P 12V 100A	1		
KM2	3MECI00408	RELAY	1		
MD1	3MOCC00338	MOTOR 12V - 390W	1		
MD2	3MOCC00337	MOTOR 12V	1		
S2	3MEVR01732	HANDLE	1		
SB1	3MECI00346	SWITCH TTR/L BIP. 24V	1		
SB2	3MECI00346	SWITCH TTR/L BIP. 24V	1		
YV1	3MEEV00028	SOLENOID VALVE	1		

Electric. Diagram 2

0	1	2	3	4	5	6	7	8	9																																																																										
<table border="1"> <thead> <tr> <th>Sim.\Sym.</th> <th>Sigla\Item</th> <th>Funzione\Use Type</th> </tr> </thead> <tbody> <tr> <td></td> <td>FU1 =06 2</td> <td>Brush fuse</td> </tr> <tr> <td></td> <td>FU2 =06 2</td> <td>Suction fuse</td> </tr> <tr> <td></td> <td>FU3 =06 2</td> <td>Auxiliary fuse</td> </tr> <tr> <td></td> <td>GB1 =06 2</td> <td>12V Battery</td> </tr> <tr> <td></td> <td>HL1 =06 2</td> <td>Battery led</td> </tr> <tr> <td></td> <td>KM1 =06 2</td> <td>Brush relè</td> </tr> <tr> <td></td> <td>KM2 =06 2</td> <td>Suction relè</td> </tr> <tr> <td></td> <td>MD1 =06 2</td> <td>Brush motor</td> </tr> <tr> <td></td> <td>MD2 =06 2</td> <td>Suction motor</td> </tr> <tr> <td></td> <td>S1 =06 2</td> <td>Termal switch brush motor</td> </tr> <tr> <td></td> <td>S2 =06 2</td> <td>Brush enable switch</td> </tr> </tbody> </table>	Sim.\Sym.	Sigla\Item	Funzione\Use Type		FU1 =06 2	Brush fuse		FU2 =06 2	Suction fuse		FU3 =06 2	Auxiliary fuse		GB1 =06 2	12V Battery		HL1 =06 2	Battery led		KM1 =06 2	Brush relè		KM2 =06 2	Suction relè		MD1 =06 2	Brush motor		MD2 =06 2	Suction motor		S1 =06 2	Termal switch brush motor		S2 =06 2	Brush enable switch	<table border="1"> <thead> <tr> <th>Sim.\Sym.</th> <th>Sigla\Item</th> <th>Funzione\Use Type</th> </tr> </thead> <tbody> <tr> <td></td> <td>SB1 =06 2</td> <td>Brush button</td> </tr> <tr> <td></td> <td>SB2 =06 2</td> <td>Suction button</td> </tr> <tr> <td></td> <td>YV1 =06 2</td> <td>Water electrovalve</td> </tr> </tbody> </table>	Sim.\Sym.	Sigla\Item	Funzione\Use Type		SB1 =06 2	Brush button		SB2 =06 2	Suction button		YV1 =06 2	Water electrovalve	<table border="1"> <thead> <tr> <th>Sim.\Sym.</th> <th>Sigla\Item</th> <th>Funzione\Use Type</th> </tr> </thead> <tbody> <tr> <td></td> <td></td> <td></td> </tr> <tr> <td></td> <td></td> <td></td> </tr> <tr> <td></td> <td></td> <td></td> </tr> <tr> <td></td> <td></td> <td></td> </tr> <tr> <td></td> <td></td> <td></td> </tr> <tr> <td></td> <td></td> <td></td> </tr> <tr> <td></td> <td></td> <td></td> </tr> <tr> <td></td> <td></td> <td></td> </tr> <tr> <td></td> <td></td> <td></td> </tr> <tr> <td></td> <td></td> <td></td> </tr> </tbody> </table>	Sim.\Sym.	Sigla\Item	Funzione\Use Type																														
Sim.\Sym.	Sigla\Item	Funzione\Use Type																																																																																	
	FU1 =06 2	Brush fuse																																																																																	
	FU2 =06 2	Suction fuse																																																																																	
	FU3 =06 2	Auxiliary fuse																																																																																	
	GB1 =06 2	12V Battery																																																																																	
	HL1 =06 2	Battery led																																																																																	
	KM1 =06 2	Brush relè																																																																																	
	KM2 =06 2	Suction relè																																																																																	
	MD1 =06 2	Brush motor																																																																																	
	MD2 =06 2	Suction motor																																																																																	
	S1 =06 2	Termal switch brush motor																																																																																	
	S2 =06 2	Brush enable switch																																																																																	
Sim.\Sym.	Sigla\Item	Funzione\Use Type																																																																																	
	SB1 =06 2	Brush button																																																																																	
	SB2 =06 2	Suction button																																																																																	
	YV1 =06 2	Water electrovalve																																																																																	
Sim.\Sym.	Sigla\Item	Funzione\Use Type																																																																																	
			<table border="1"> <tr> <td>Dis. N.</td> <td>Impianto</td> <td>Ordine</td> <td rowspan="2">FOGLIO 3</td> </tr> <tr> <td>CAD</td> <td>SPAC</td> <td>Comessa</td> </tr> <tr> <td>Nome File</td> <td>Denominazione</td> <td>Esecutore</td> <td>SPACIF 4</td> </tr> <tr> <td>Data</td> <td></td> <td></td> <td></td> </tr> </table>	Dis. N.	Impianto	Ordine	FOGLIO 3	CAD	SPAC	Comessa	Nome File	Denominazione	Esecutore	SPACIF 4	Data																																																																				
Dis. N.	Impianto	Ordine	FOGLIO 3																																																																																
CAD	SPAC	Comessa																																																																																	
Nome File	Denominazione	Esecutore	SPACIF 4																																																																																
Data																																																																																			

Ref.	Part N.	Description	Quantity	Validity From	Validity To
FU1	3MEVR42990	FUSE 60A NST.	1		
FU2	3MEVR42990	FUSE 60A NST.	1		
FU3	3MEVR01133	FUSE 15A 32V	1		
HL1	3MECB01067	WIRING LED	1		
KM1	3METT00080	CONTACTOR E TL 10P 12V 100A	1		
KM2	3MECI00408	RELAY FITRE	1		
MD1	3MOCC00338	MOTOR 12V - 390W	1		
MD2	3MOCC00337	MOTOR 12V	1		
S2	3MEVR01732	HANDLE	1		
SB1	3MECI00346	SWITCH TTR/L BIP. 24V	1		
SB2	3MECI00346	SWITCH TTR/L BIP. 24V	1		
YV1	3MEEV00028	SOLENOID VALVE	1		