

Parts Manual Manuel de pièces



Hurricane Scooter Ride-On

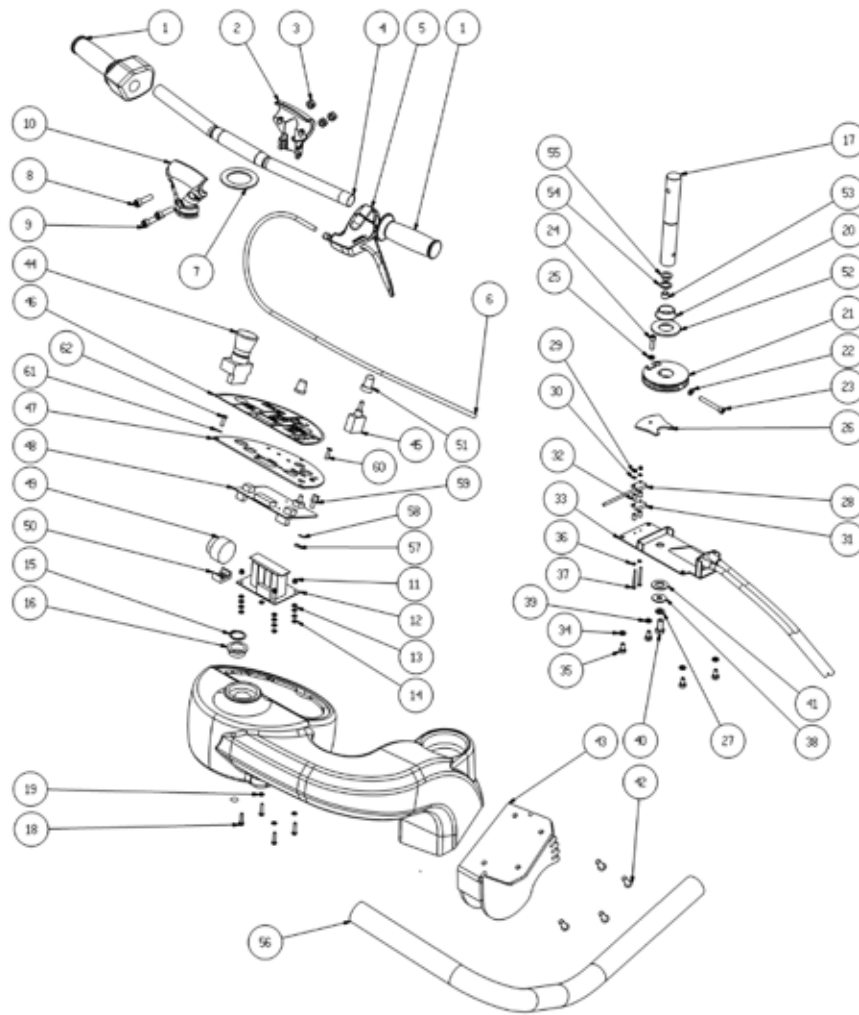
Automatic Scrubber
Code: 19353-C-AGM

Serial #: _____

Date of Purchase: _____

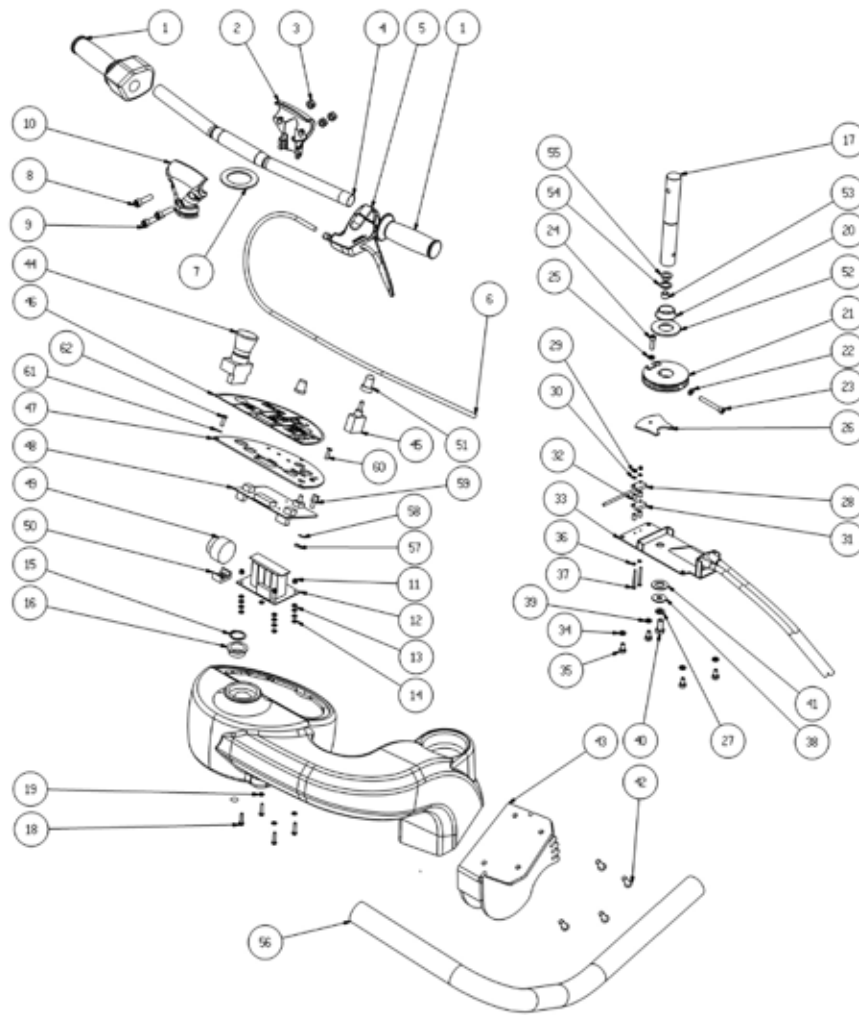
More info : www.dustbane.ca
07-2011

Board



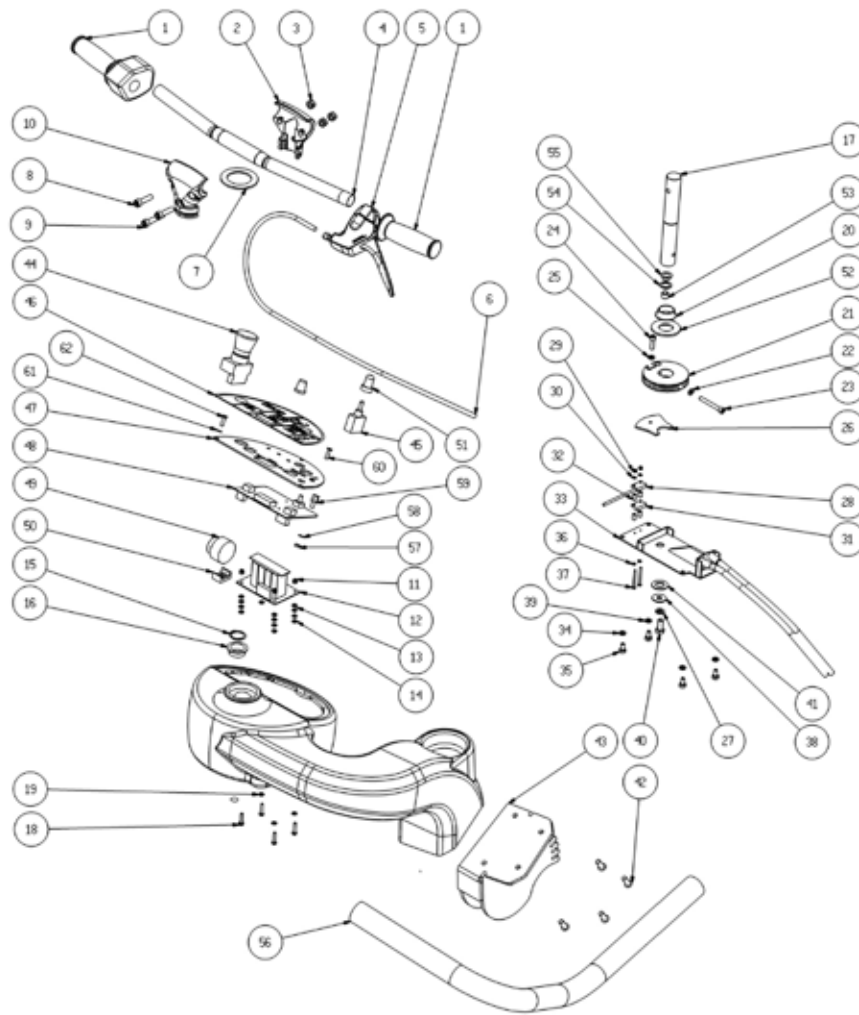
Ref.	Part N.	Description	Quantity	Validity From	Validity To
1	3MECE00477	ACCELERATOR	1		
2	3MFVR00215	SUPPORT	1		
3	3VTDD01695	NUT - M 8 INX	3		
4	3LAFN06905	HANDLE BAR	1		
5	3CMCV40002	LEVER	1		
6	3CMCV00436	BRAKE CABLE	1		
7	3MPVR05632	FLANGE	1		
8	3VTVT00822	SCREW - TCEI M 8-30	2		
9	3VTVT06241	CARRYNG BAG	1		
10	3MFVR00214	SUPPORT	1		
11	3VTDD15925	NUT - M 4 INX	4		
12	3MECE00482	BOARD	1		
13	3VTRS00515	WASHER - D. 4 INX	8		
14	3VTRS00515	WASHER - D. 4 INX	8		
15	3VTAE00018	SEEGER	1		

Board



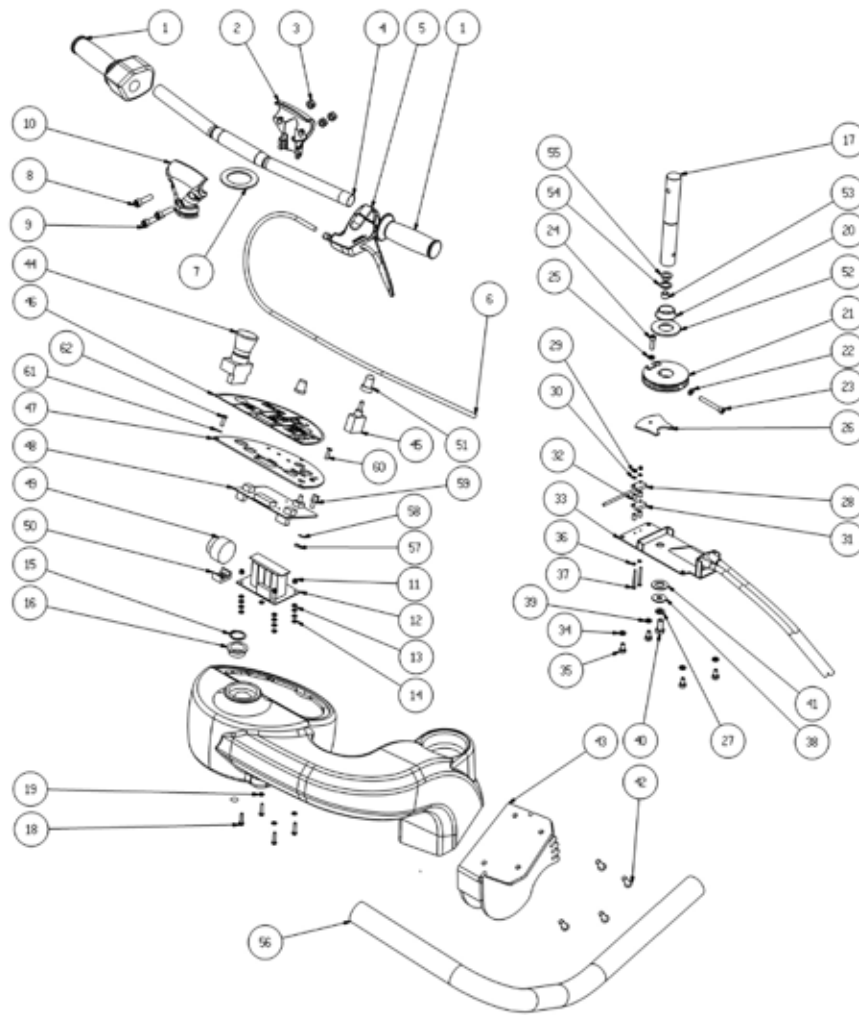
16	3MPVR05408	BUSHING	1
17	3LAFN06906	AXLE	1
18	3VTVT00727	SCREW - TE M. 4-20	4
19	3VTRS00515	WASHER - D. 4 INX	4
20	3MPVR05408	BUSHING	1
21	3MTPL00201	PULLEY	1
22	3VTRS15144	WASHER - D. 6 INX GRW UNI 1751	1
23	3VTVT00261	SCREW - TCEI M 6X50 ZC. UNI 5931	1
24	3VTVT00428	SCREW - TCEI 6X20 UNI5931 INX	1
25	3VTRS15144	WASHER - D. 6 INX GRW UNI 1751	1
26	3LAFN07619	PLATE	1
27	3VTRS15146	WASHER - D. 8 INX GRW UNI 1751	1
28	3MECI00560	SENSOR	1
29	3VTDD00210	NUT - M 3 INOX	2
30	3VTRS21116	WASHER - D. 3 INX	2

Board



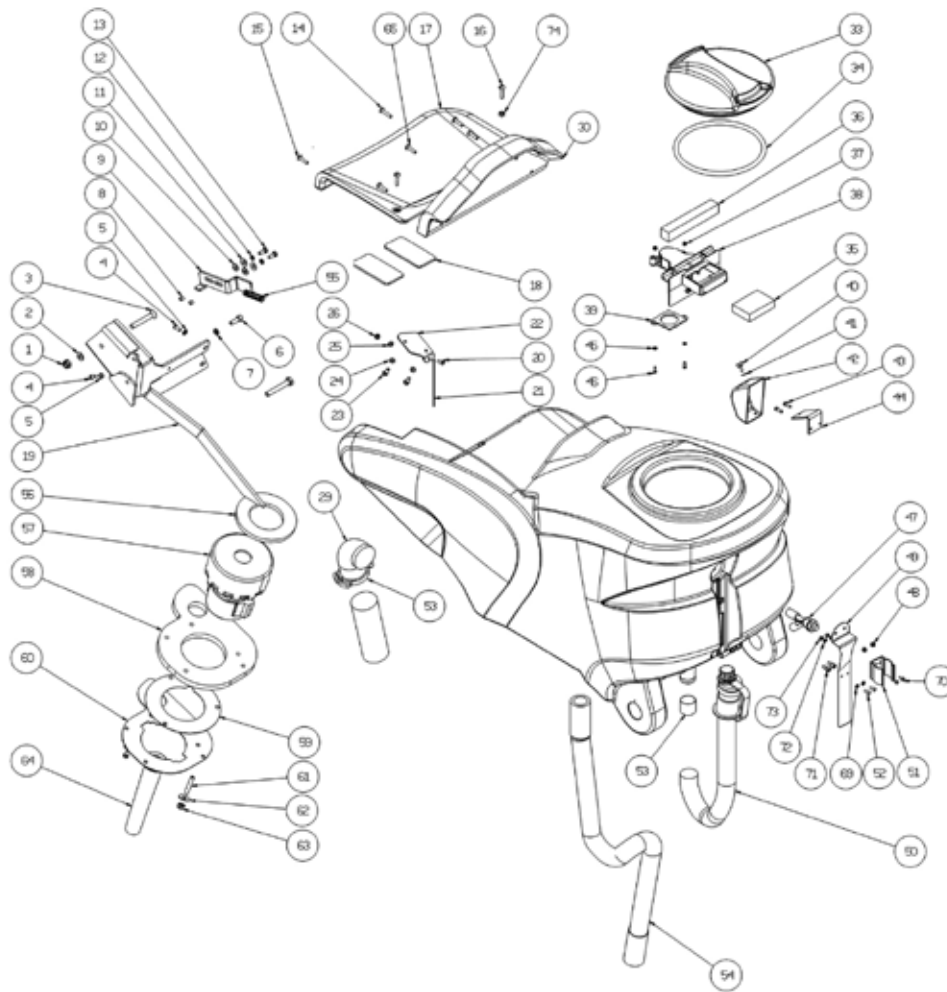
31	3MEVR01745	BLOCK	1
32	3MPVR05636	SPACER	4
33	3LAFN06907	BOX	1
34	3VTRS15144	WASHER - D. 6 INX GRW UNI 1751	4
35	3VTVT15143	SCREW - TE 6X16 UNI5739	4
36	3VTRS21116	WASHER - D. 3 INX	2
37	3VTVT00691	CARRYING BAG	2
38	3VTRS13946	WASHER - D. 8 X24 INX UNI 6593	1
39	3VTRS15146	WASHER - D. 8 INX GRW UNI 1751	1
40	3VTVT13938	SCREW - TE 8X20 UNI5739 INX	1
41	3VTRS00250	WASHER - D.14	1
42	3VTVT49163	SCREW - TBEI M 8X 20 ISO 7380 IX	4
43	3LAFN06909	PLATE	1
44	3MECI00402	BUTTON	1
45	3MECI30499	SWITCH - 10A - 250VAC	1

Board



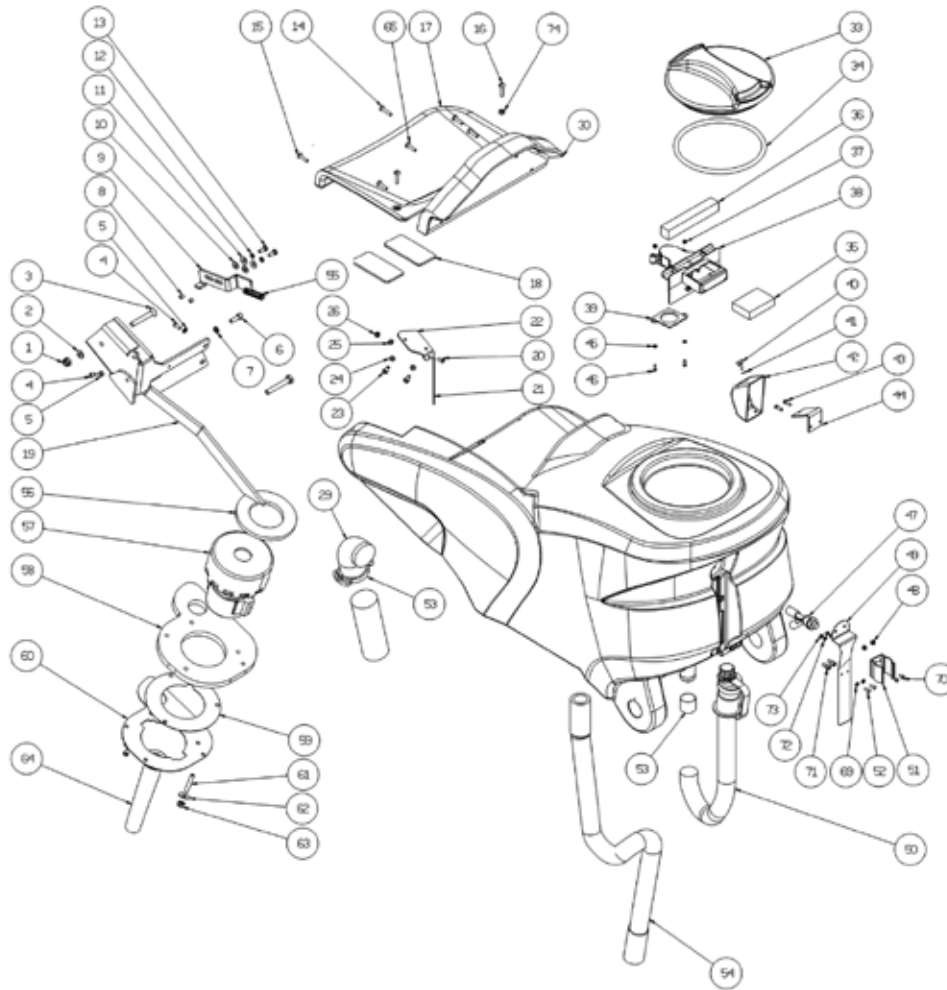
47	3LAFN06901	SUPPORT	1
48	3MECE00480	BOARD	1
49	3MEVR01436	BUZZER	1
50	3FSVR00243	CLAMP	1
51	3MEVR01975	RUBBER DEVIATORE	1
52	3VTRS00276	WASHER - 25x50	1
53	3LAFN08823	SPACER	1
54	3VTRS00376	WASHER - 15x21	1
55	3CUVR00186	BEARING	1
56	3MPVR05795	SHEATH	1
57	3VTDD21115	NUT - M 3 INOX	3
58	3VTRS00268	WASHER - D.3	3
59	3VTVR00481	INSERT	3
60	3VTVT00865	SCREW - TSP-TC M 3X 6 UNI7688 INX	3
61	3VTRS00515	WASHER - D. 4 INX	3
62	3VTVT37012	SCREW - M 4X 10 TCB-TC INX	3

Recovery Tank



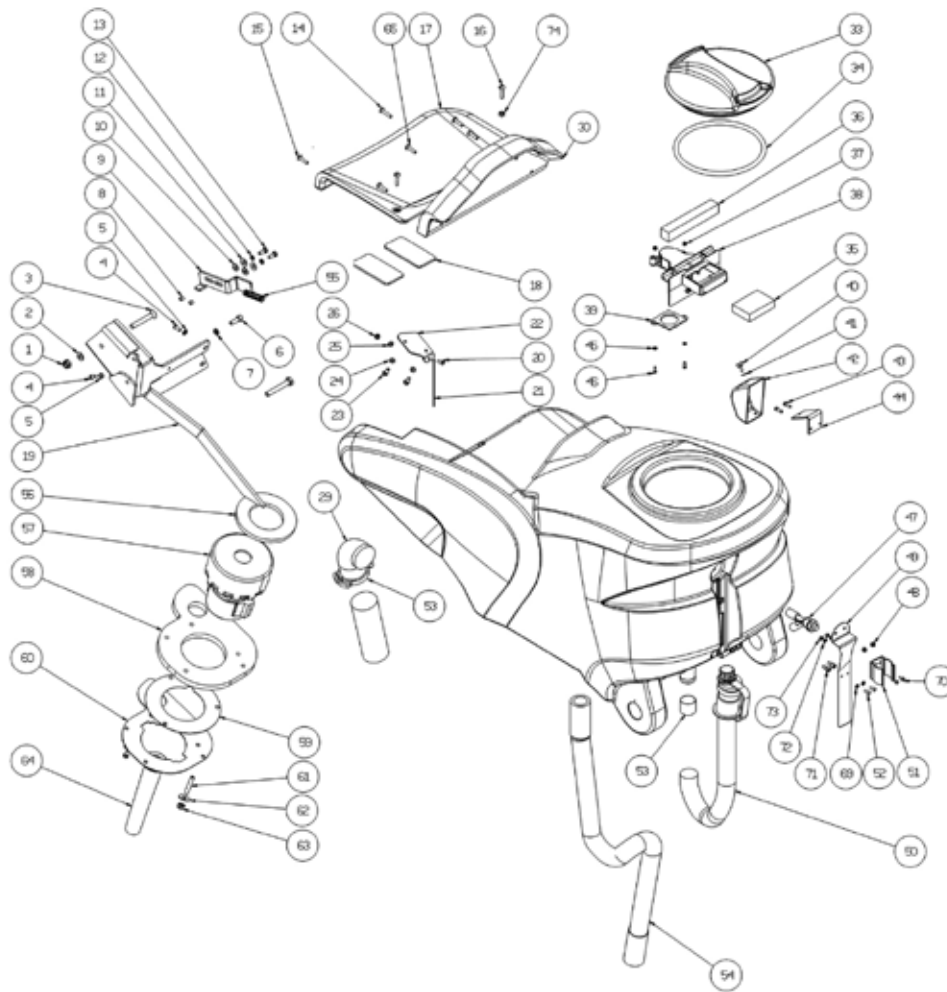
Ref.	Part N.	Description	Quantity	Validity From	Validity To
1	3VTDD15519	NUT - M10 INOX	1		
2	3VTRS15523	WASHER - D.10 X21 INOX UNI 6592	1		
3	3VTVT01685	SCREW - TSPEI M.10X70	1		
4	3VTVT00787	SCREW - TBEI M 6-16	2		
5	3VTRS15144	WASHER - D. 6 INX GRW UNI 1751	2		
6	3VTVT00639	SCREW - TCEI 8X25	1		
7	3VTRS15146	WASHER - D. 8 INX GRW UNI 1751	1		
8	3LAFN07202	SPACER	2		
9	3LAFN06908	HOOK	1		
10	3VTRS00274	WASHER - NYLON 66 D.8,4-17-2 UNI	2		
11	3VTRS13945	WASHER - D. 6X18 INX UNI 6593	2		
12	3VTRS15144	WASHER - D. 6 INX GRW UNI 1751	2		
13	3VTVT15143	SCREW - TE 6X16 UNI5739	2		
14	3VTVT01007	SCREW - 6X30	3		
15	3VTVT01006	SCREW - 6X25	1		
16	3VTVT01006	SCREW - 6X25	1		
17	3MPVR05393	SEAT	1		

Recovery Tank



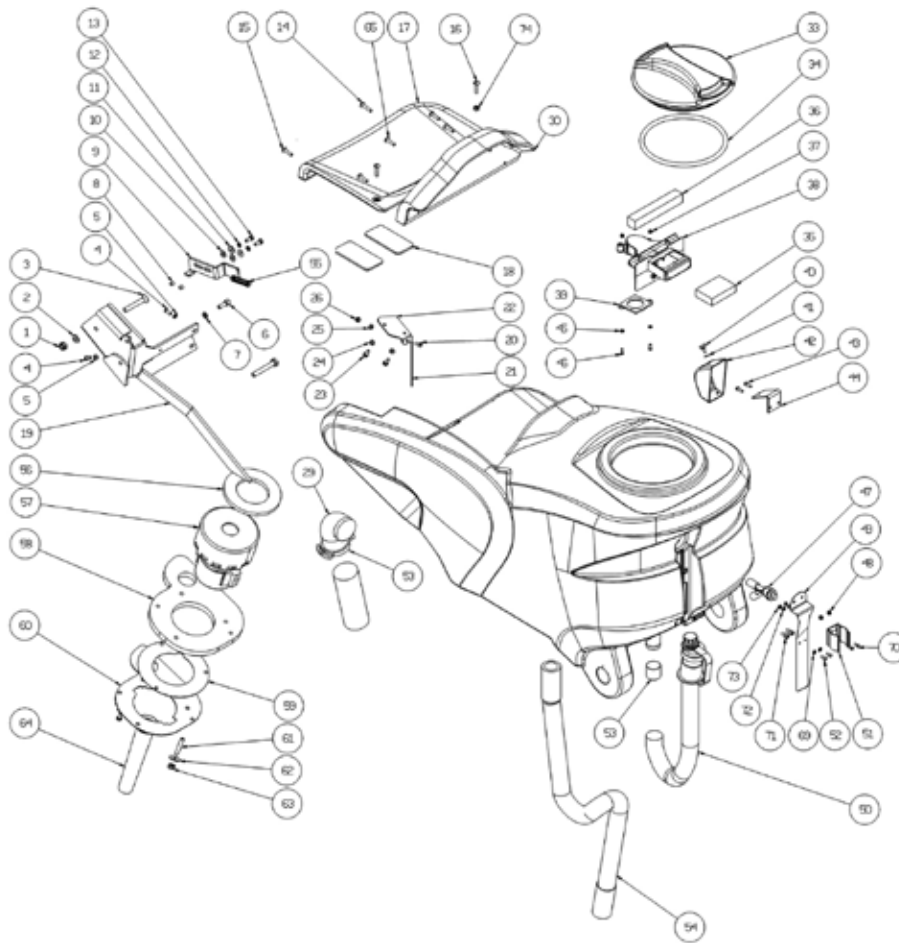
18	3MEVR00148	DASHBOARD	1
19	3LAFN06910	PLATE	1
20	3VTVT00832	SCREW - TSPEI M6X16 INOX	1
21	3CMCV00360	CABLE	1
22	3LAFN07607	BRACKET	1
23	3VTVT15143	SCREW - TE 6X16 UNI5739	2
24	3VTRS15144	WASHER - D. 6 INX GRW UNI 1751	2
25	3VTRS00245	WASHER - D.6 UNI 6592 INOX	1
26	3VTDD01694	NUT - M 6 INX	1
29	3MPVR05790	SLEEVE	1
30	3MPVR05775	SHEET METAL	1
33	3MPVR04051	TANK CAP	1
34	3GUGO00263	GASKET	1
35	3FTDP00133	FILTER	1
36	3GUGO00418	GASKET	1
37	3VTDD15925	NUT - M 4 INX	2
38	3MPVR05482	BOX	1

Recovery Tank



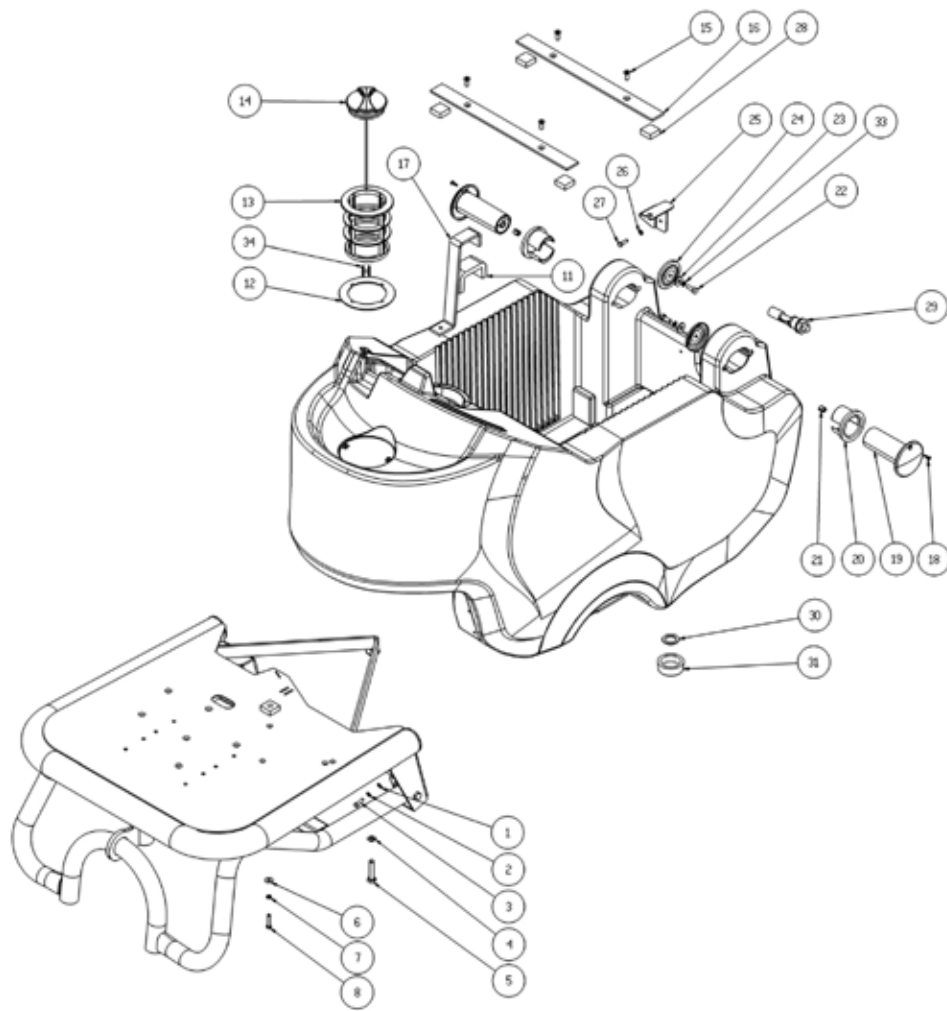
39	3GUGO00417	GASKET	1
40	3VTVT01150	SCREW - 4x10	1
41	3VTRS00570	WASHER	1
42	3MPVR05596	PROTECTION	1
43	3VTVT07725	SCREW - TE 5X16 UNI5739 INX	2
44	3LAFN07728	BRACKET	1
45	3VTRS00251	WASHER - 4-16 INOX A2	2
46	3VTVT00873	SCREW - TE 4X35	2
47	3MECI00516	SENSOR	1
48	3VTDD01693	NUT - M 5 INX	2
49	3LAFN07624	PROTECTION	1
50	3TBBP00456	TUBE	1
50	3TBFX00348	TUBE	1
51	3MPVR46988	CLIP	1
52	3VTVT37012	SCREW - M 4X 10 TCB-TC INX	2
53	3FSVR00254	CLAMP	1
54	3TBFX00337	TUBE	1

Recovery Tank



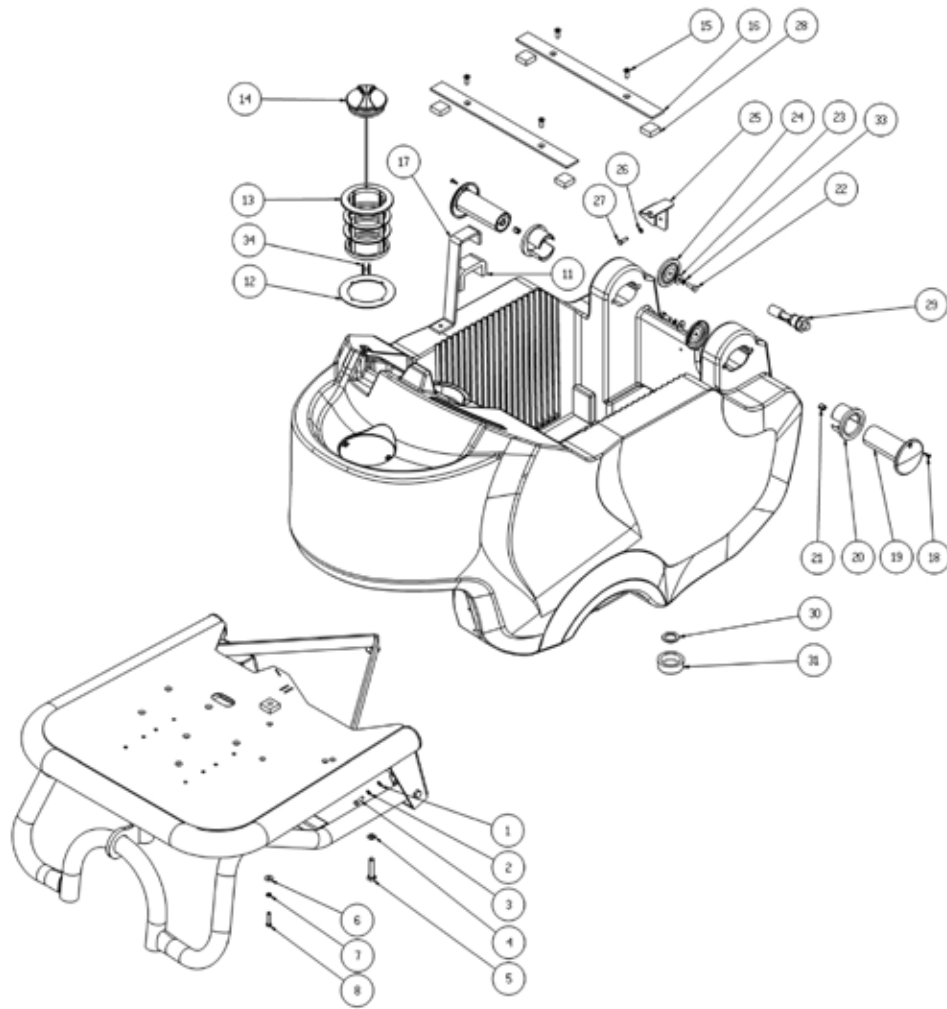
55	3MLML38415	SPRING	1
56	3GUGO00272	GASKET	1
57	3MOCC00342	VACUUM CLEANER 24V	1
58	3MPVR05103	SOUND PROOFING	1
59	3MPVR04724	FLANGE	1
60	3LAFN06363	FLANGE	1
61	3VTVT00900	SCREW - M 6-30	3
62	3VTRS13945	WASHER - D. 6X18 INX UNI 6593	3
63	3VTDD01694	NUT - M 6 INX	3
64	3MPVR05635	TUBE	1
65	3VTVT01370	SCREW - M6X35	4
67	3RCVR00545	CONNECTOR 90°	1
68	3VTVT48694	SCREW - TCB TC 5 X12 UNI 9707 TZ	1
69	3VTRS15913	WASHER - D. 4 GROVER A2 UNI1751	2
70	3VTVT21096	SCREW - TE M 4X 10 INX	2
71	3MPVR05794	SPACER	2
72	3VTRS00515	WASHER - D. 4 INX	2
73	3VTDD00055	NUT - M 4 ATB A2	2
74	3VTDD01694	NUT - M 6 INX	1

Solution Tank



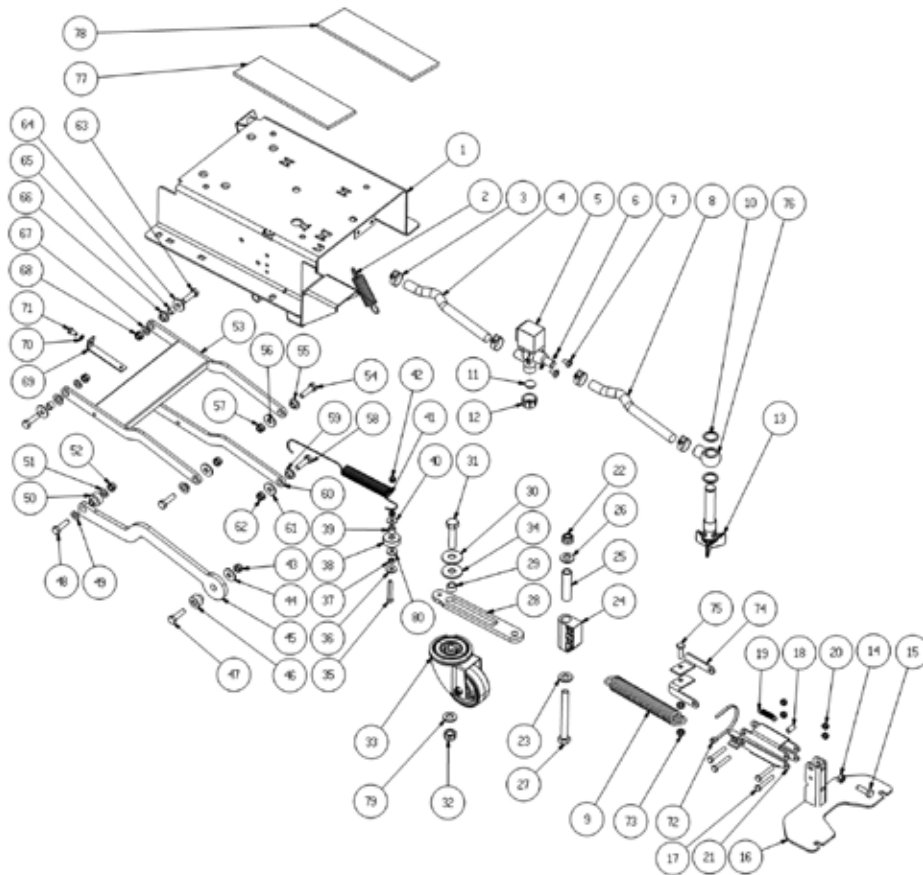
Ref.	Part N.	Description	Quantity	Validity From	Validity To
1	3VTRS13750	WASHER - D. 5X14 INX	4		
2	3VTRS15908	WASHER - D. 5 INX GRW UNI 1751	4		
3	3VTVT01300	SCREW - TE M5X12 INOX	4		
3	3VTVT07725	SCREW - TE 5X16 UNI5739 INX	4		
4	3VTRS15146	WASHER - D. 8 INX GRW UNI 1751	2		
5	3VTVT00708	SCREW - TE M. 8-40	2		
6	3VTRS13750	WASHER - D. 5X14 INX	2		
7	3VTRS15908	WASHER - D. 5 INX GRW UNI 1751	2		
8	3VTVT00766	SCREW - TE M. 5-25	2		
11	3MPVR05642	THICKNESS	1		
12	3GUGO00267	GASKET	1		
13	3FTAC00041	FILTER	1		
14	3MPVR05188	CAP	1		
15	3VTVT00832	SCREW - TSPEI M6X16 INOX	4		
16	3LAFN07604	PLATE	2		
17	3LAFN07751	BRACKET	1		

Solution Tank



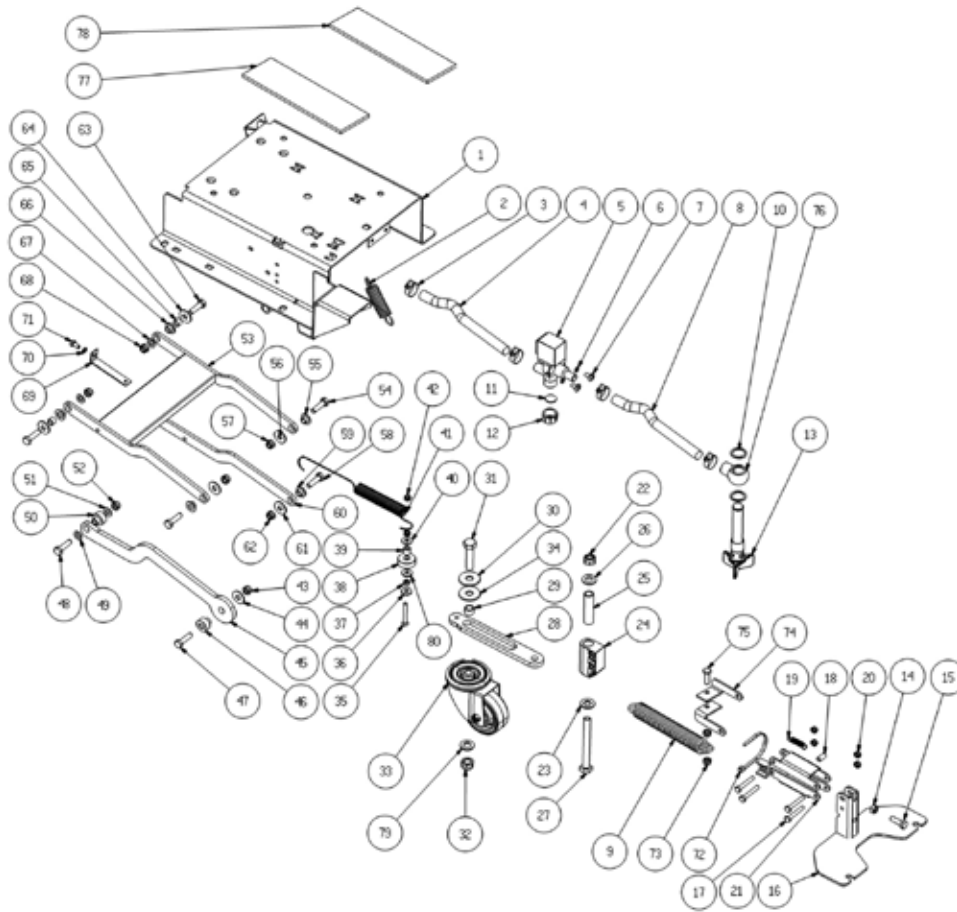
18	3VTVT48694	SCREW - TCB TC 5 X12 UNI 9707 TZ	2
19	3MPVR48695	PIN	2
20	3PMVR02028	RUBBER	2
21	3VTVR48693	INSERT - M6 D.9	2
22	3VTVT15143	SCREW - TE 6X16 UNI5739	2
23	3VTRS13945	WASHER - D. 6X18 INX UNI 6593	2
24	3LAFN07800	SHEET METAL	2
25	3LAFN06925	BRACKET	1
26	3VTRS15908	WASHER - D. 5 INX GRW UNI 1751	1
27	3VTVT01300	SCREW - TE M5X12 INOX	1
28	3MPVR05743	THICKNESS	4
29	3MECI00516	SENSOR	1
30	3GUGO00416	GASKET	1
31	3MPVR04931	CAP	1
32	3MPVR02944	CAP	1
33	3VTRS15144	WASHER - D. 6 INX GRW UNI 1751	2
34	3MPVR02944	CAP	1

Frame



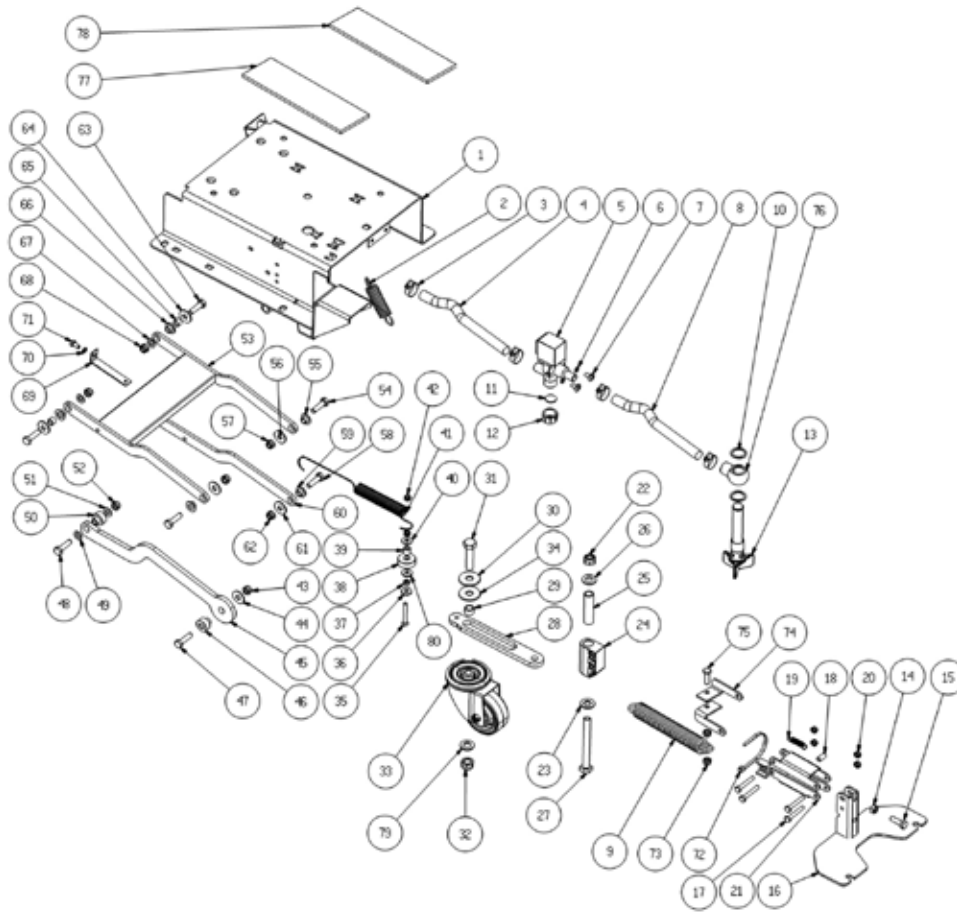
Ref.	Part N.	Description	Quantity	Validity From	Validity To
1	3LAFN06923	BASE	1		
2	3MLML00325	SPRING	1		
3	3FSVR00428	CLAMP - D. 12-20	4		
5	3MEEV00018	SOLENOID VALVE	1		
6	3VTRS00516	WASHER - D. 5 INX	2		
7	3VTVT48694	SCREW - TCB TC 5 X12 UNI 9707 TZ	2		
9	3MLML31105	SPRING - D. 17.5 X105 N36	1		
10	3VTRS00567	WASHER	2		
11	3GUGO00268	GASKET - D.21 SP.3	1		
12	3RCVR00353	CAP	1		
13	3MPVR05221	FILTER	1		
14	3VTDD15521	NUT - M 8 INX A2 UNI 5588	1		
15	3VTVT13937	SCREW - TE M 8X 30 INX UNI 5739	1		
16	3LAFN07560	PLATE	1		
17	3VTVT15145	SCREW - TE 6X40 UNI5739 INX	4		
18	3LAFN06898	SPACER - 6-8 h15	1		
19	3MLML00303	SPRING	1		
20	3VTDD01694	NUT - M 6 INX	4		
21	3LAFN05853	LEVER ARM	2		

Frame



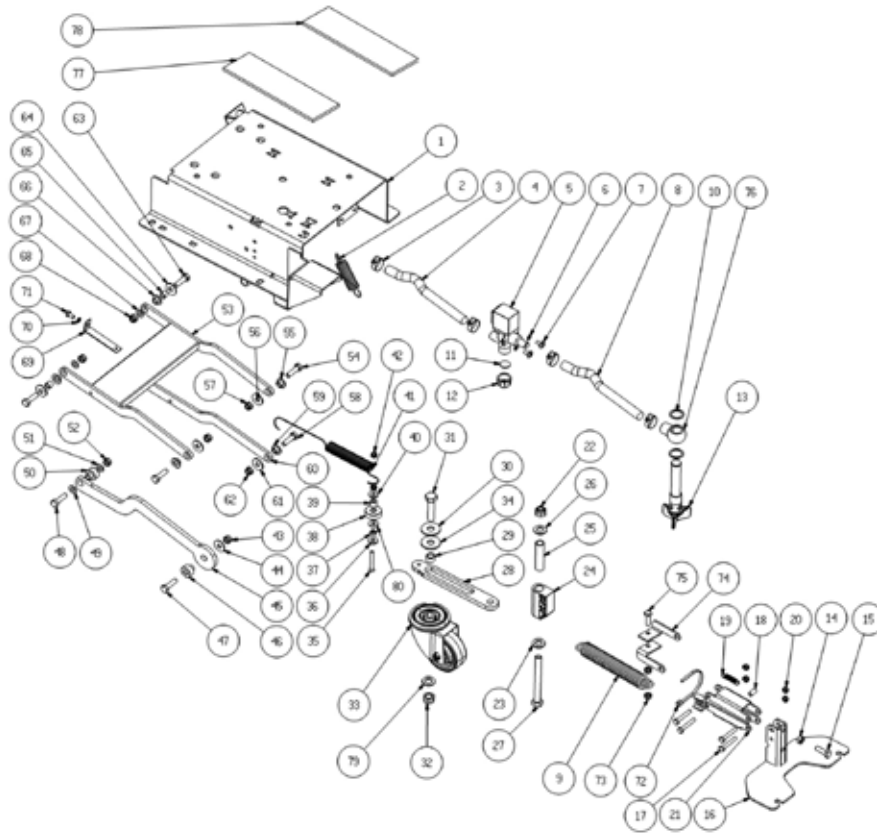
22	3VTDD00176	NUT - M.12 INOX A2 BASSO AUTOB.	1
23	3VTRS15978	WASHER - D.12X24 UNI 6592 INX	1
24	3MPVR04734	BLOCK	1
25	3LAFN04188	PIN	1
26	3VTRS15978	WASHER - D.12X24 UNI 6592 INX	1
27	3VTVT01686	SCREW - TE M12X90	1
28	3LAFN07767	ARM	1
29	3LAFN07768	SPACER	1
30	3VTRS09142	WASHER - D.12 X 36	1
31	3VTVT28884	SCREW - TE M 12X 50 UNI 5737 INX	1
32	3VTDD00176	NUT - M.12 INOX A2 BASSO AUTOB.	1
33	3RTRT00395	WHEEL	1
34	3MPVR05684	WASHER	1
35	3VTVT26818	SCREW - M6x45 TSPEI UNI5933	1
36	3VTRS13945	WASHER - D. 6X18 INX UNI 6593	1
37	3VTDD15520	NUT - M 6 A2 UNI 5588 INX	1
38	3MPVR05637	BUSHING	1
39	3LAFN04187	SPACER	1
40	3VTRS13945	WASHER - D. 6X18 INX UNI 6593	1

Frame



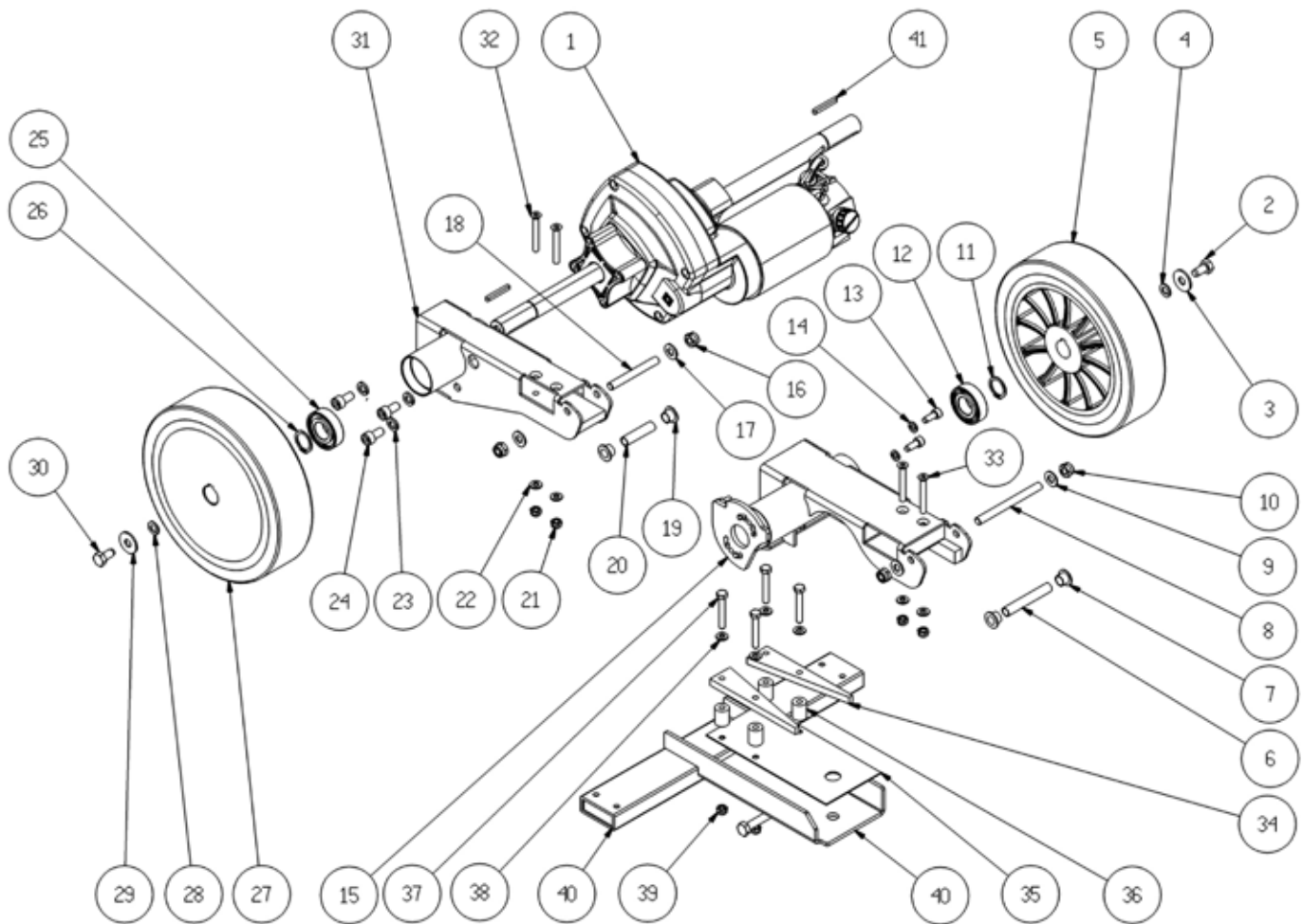
41	3MLML48789	SPRING	1
42	3VTDD01694	NUT - M 6 INX	2
43	3VTDD01695	NUT - M 8 INX	1
44	3VTRS13946	WASHER - D. 8 X24 INX UNI 6593	1
45	3LAFN06924	LEVER	1
46	3LAFN04190	BUSHING	1
47	3VTVT00410	SCREW - TE M8x35 UNI5739 INOX	1
48	3VTVT00429	SCREW - TE M 8X 40 INX UNI 5737	1
49	3VTRS13947	WASHER - D. 8 INX UNI 6592	1
50	3LAFN04190	BUSHING	1
51	3VTRS13947	WASHER - D. 8 INX UNI 6592	1
52	3VTDD01695	NUT - M 8 INX	1
53	3LAFN07563	ARM	1
54	3VTVT15907	SCREW - TE 8X25 UNI5739 INX	1
55	3LAFN06391	BUSHING	1
56	3VTRS13946	WASHER - D. 8 X24 INX UNI 6593	1
57	3VTDD01695	NUT - M 8 INX	1
58	3VTVT15907	SCREW - TE 8X25 UNI5739 INX	1
59	3LAFN06391	BUSHING	1

Frame



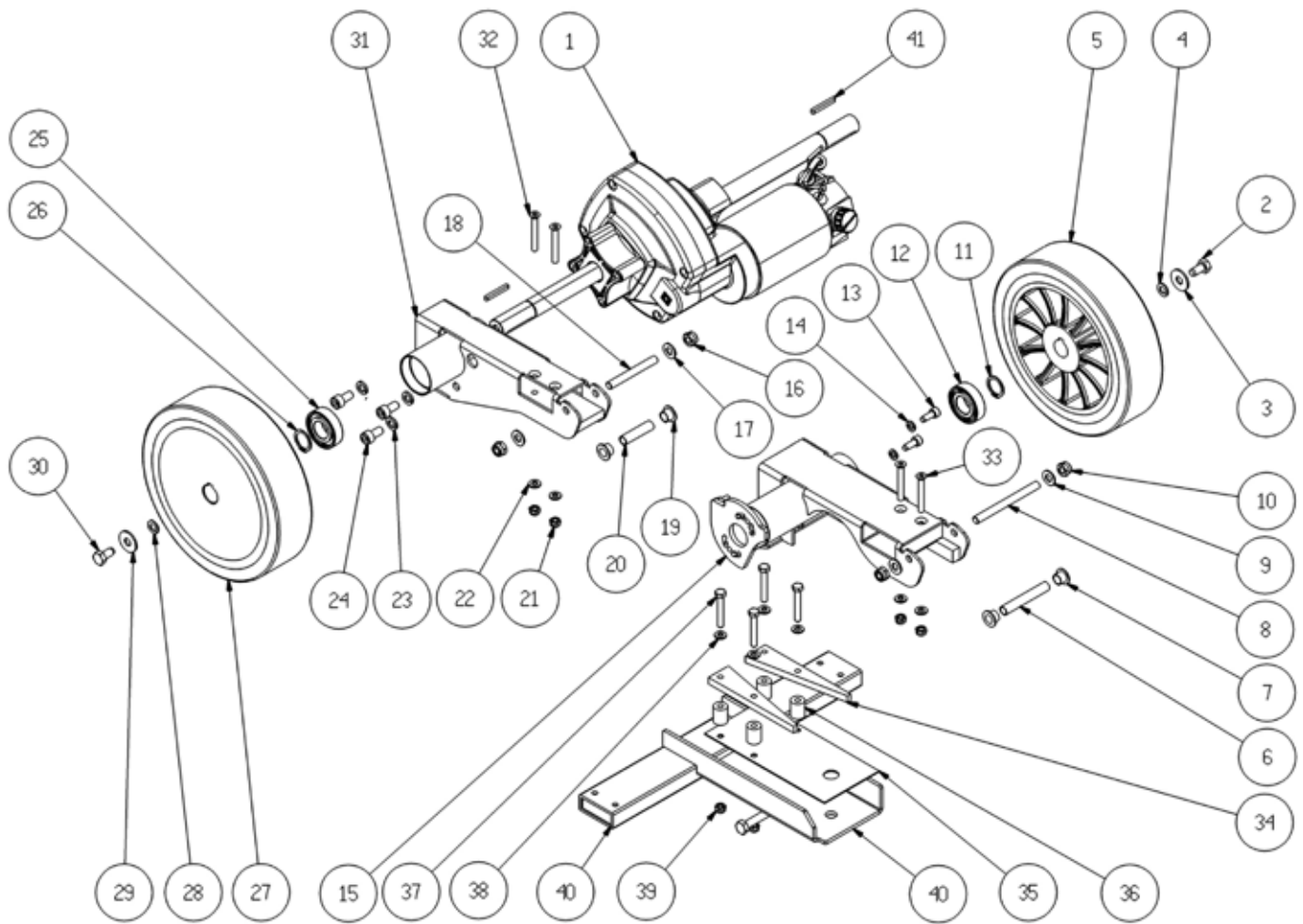
60	3LAFN06389	ARM	1
61	3VTRS13946	WASHER - D. 8 X24 INX UNI 6593	1
62	3VTDD01695	NUT - M 8 INX	1
63	3VTVT13937	SCREW - TE M 8X 30 INX UNI 5739	2
64	3VTRS13946	WASHER - D. 8 X24 INX UNI 6593	2
65	3RCDS34717	BUSHING - D. 9X12X 8.3	2
66	3LAFN06391	BUSHING	2
67	3VTRS13947	WASHER - D. 8 INX UNI 6592	2
68	3VTDD01695	NUT - M 8 INX	2
69	3LAFN07766	TIE ROD	1
70	3VTRS15144	WASHER - D. 6 INX GRW UNI 1751	1
71	3VTVT15906	SCREW - TE 6X 12 A2 UNI 5739	1
72	3FSVR00248	CLAMP	1
73	3VTDD01694	NUT - M 6 INX	2
74	3LAFN07781	BRACKET	2
75	3VTVT13939	SCREW - TE 6X20 UNI5739 INX	1
76	3LAFN07783	CONNECTOR	1
77	3MPVR05744	THICKNESS	1
78	3MPVR05745	THICKNESS	1
79	3VTRS15978	WASHER - D.12X24 UNI 6592 INX	1
80	3VTRS13945	WASHER - D. 6X18 INX UNI 6593	1

Traction Motor



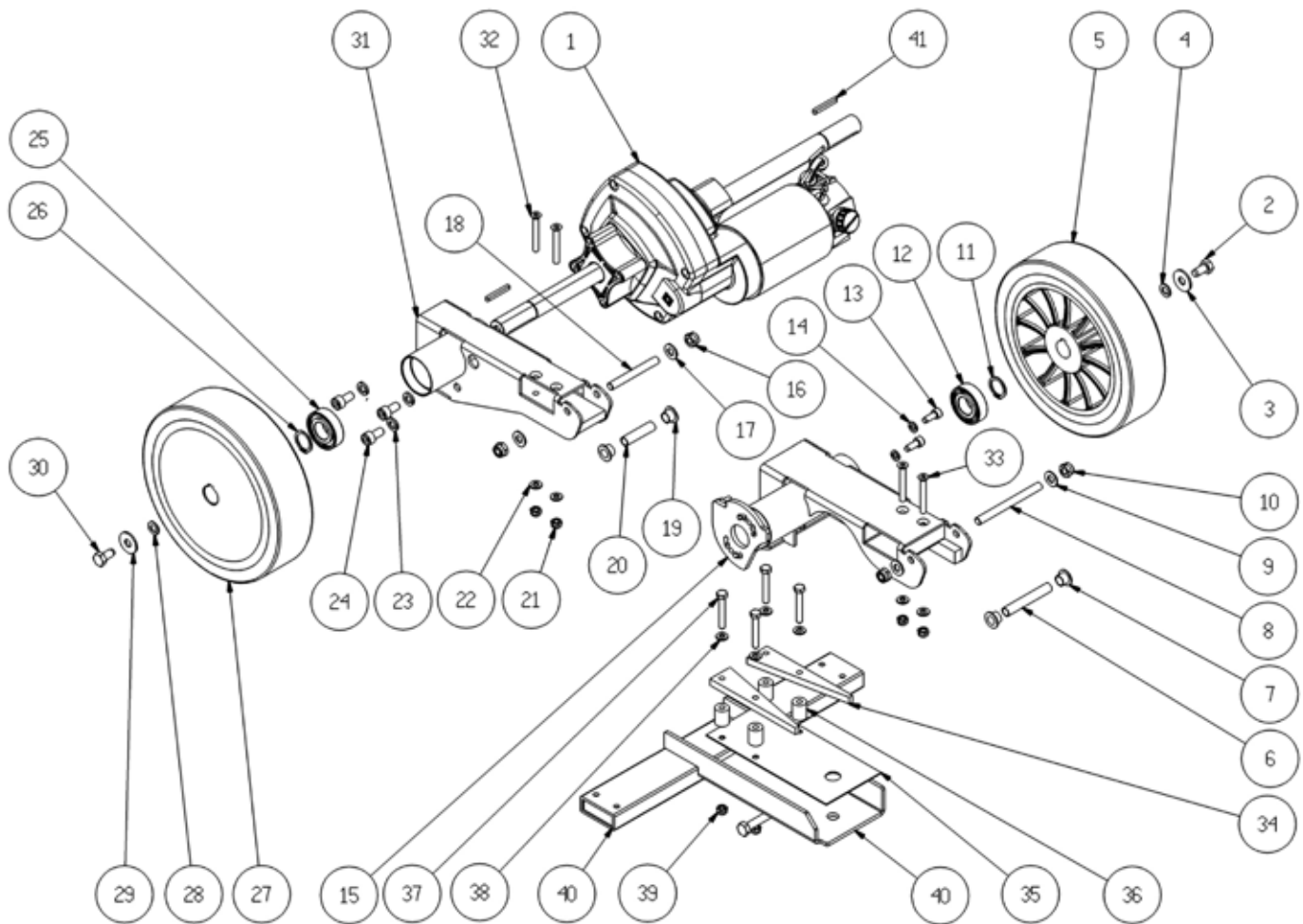
Ref.	Part N.	Description	Quantity	Validity From	Validity To
1	3MOCC00022	CARBON	2		
1	3MOCC00395	MOTOR	1		
2	3VTVT15916	SCREW - TE M 8X 16 UNI 5739 A2	1		
3	3VTRS16323	WASHER - D. 8 X32 UNI 6593 INX	1		
4	3VTRS15146	WASHER - D. 8 INX GRW UNI 1751	1		
5	3RTRT00524	WHEEL	1		
5	3RTRT00529	WHEEL	2		
6	3LAFN07565	SPACER	1		
7	3CUVR43254	BUSHING	2		
8	3LAFN07741	PIN	1		
9	3VTRS13947	WASHER - D. 8 INX UNI 6592	2		
10	3VTDD01695	NUT - M 8 INX	2		
11	3VTAE06193	CIRCLIP - D. 20 UNI 7435	1		
12	3CUVR19846	BALL BEARING	1		

Traction Motor



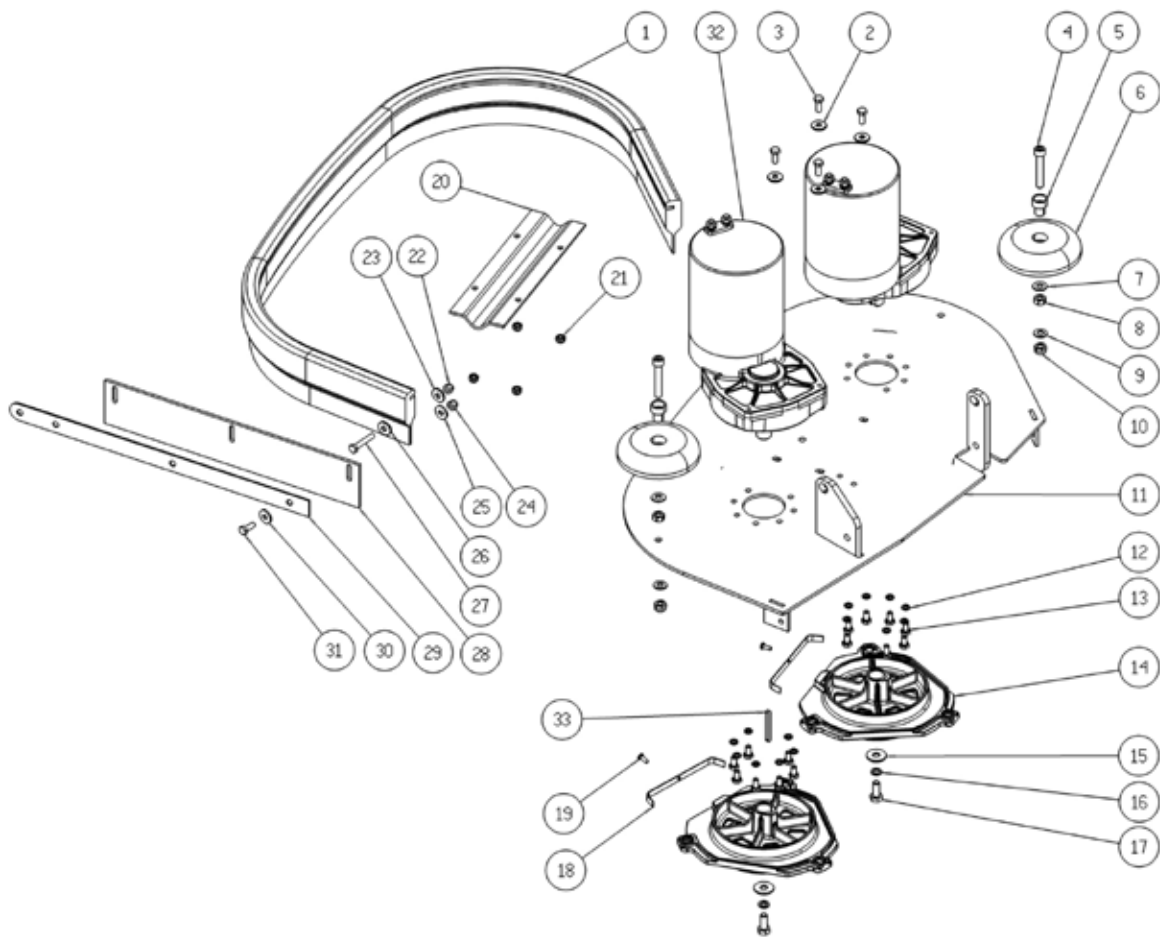
13	3VTVT00717	SCREW - TCEI M. 6-16	2
14	3VTRS15144	WASHER - D. 6 INX GRW UNI 1751	2
15	3LAFN06903	SUPPORT	1
16	3VTDD01695	NUT - M 8 INX	2
17	3VTRS13947	WASHER - D. 8 INX UNI 6592	2
18	3LAFN07742	PIN	1
19	3CUVR43254	BUSHING	2
20	3LAFN07566	SPACER	1
21	3VTDD01694	NUT - M 6 INX	4
22	3VTRS00245	WASHER - D.6 UNI 6592 INOX	4
23	3VTRS15146	WASHER - D. 8 INX GRW UNI 1751	3
24	3VTVT00876	SCREW - TCEI M.8-16	3
25	3CUVR19846	BALL BEARING	1
26	3VTAE06193	CIRCLIP - D. 20 UNI 7435	1
27	3RTRT00524	WHEEL	1

Traction Motor



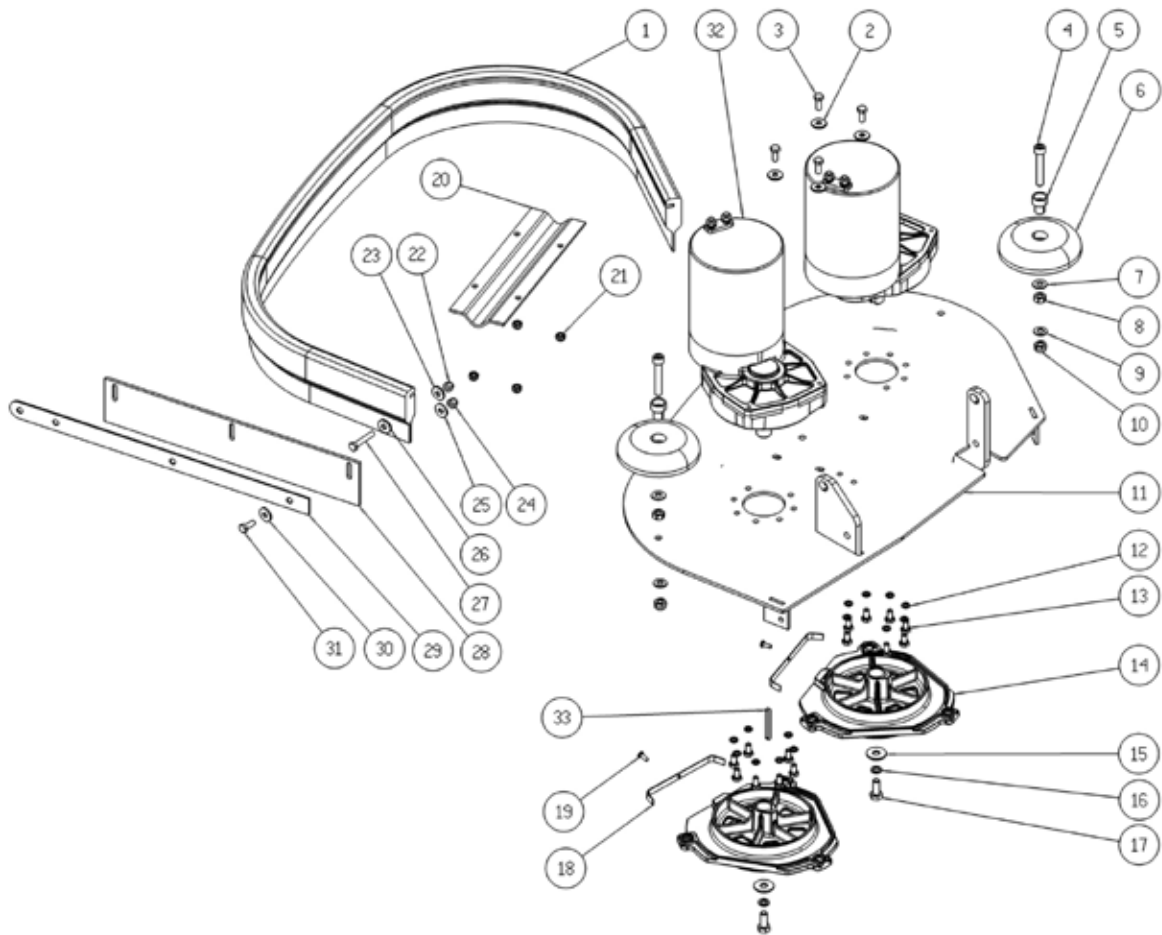
28	3VTRS15146	WASHER - D. 8 INX GRW UNI 1751	1
29	3VTRS16323	WASHER - D. 8 X32 UNI 6593 INX	1
30	3VTVT15916	SCREW - TE M 8X 16 UNI 5739 A2	1
31	3LAFN06904	SUPPORT	1
32	3VTVT26818	SCREW - M6x45 TSPEI UNI5933	2
33	3VTVT29523	SCREW - M 6X 35 TSPEI UNI 5933	2
34	3MPVR05682	GUIDE	2
35	3MPVR05683	PLATE	1
36	3MPVR05687	SPACER	4
37	3VTVT01683	SCREW - TE 6X40	4
38	3VTRS00245	WASHER - D.6 UNI 6592 INOX	4
39	3VTDD01694	NUT - M 6 INX	4
40	3LAFN07456	SUPPORT	1
41	3VTVR33668	KEY - 6x 6x40 UNI 6604A	2

Head



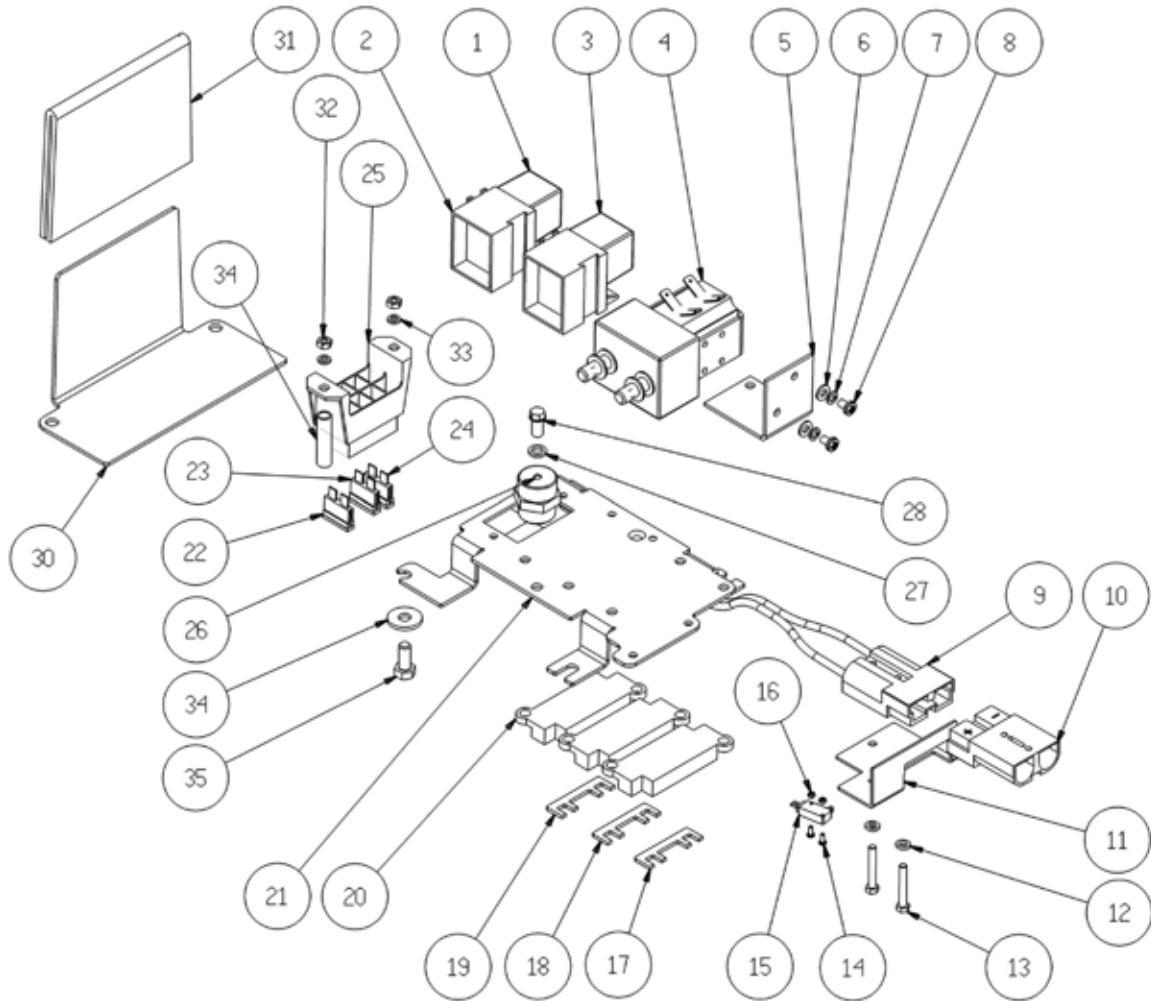
Ref.	Part N.	Description	Quantity	Validity From	Validity To
1	3MPVR05231	BUMPER	1		
2	3VTRS13945	WASHER - D. 6X18 INX UNI 6593	4		
3	3VTVT15143	SCREW - TE 6X16 UNI5739	4		
4	3VTVT00775	SCREW - TCEI M 8X40 ZC.BK UNI5931	2		
5	3LAFN03915	BUSHING	2		
6	3MPVR05290	ROLLER	2		
7	3VTRS13947	WASHER - D. 8 INX UNI 6592	2		
8	3VTDD15521	NUT - M 8 INX A2 UNI 5588	2		
9	3VTRS13947	WASHER - D. 8 INX UNI 6592	2		
10	3VTDD01695	NUT - M 8 INX	2		
11	3LAFN06726	PLATE	1		
12	3VTRS15144	WASHER - D. 6 INX GRW UNI 1751	14		
13	3VTVT15906	SCREW - TE 6X 12 A2 UNI 5739	14		
14	3MFVR00212	DRIVE DISK	2		
15	3VTRS13946	WASHER - D. 8 X24 INX UNI 6593	2		
16	3VTRS15146	WASHER - D. 8 INX GRW UNI 1751	2		
17	3VTVT13938	SCREW - TE 8X20 UNI5739 INX	2		

Head



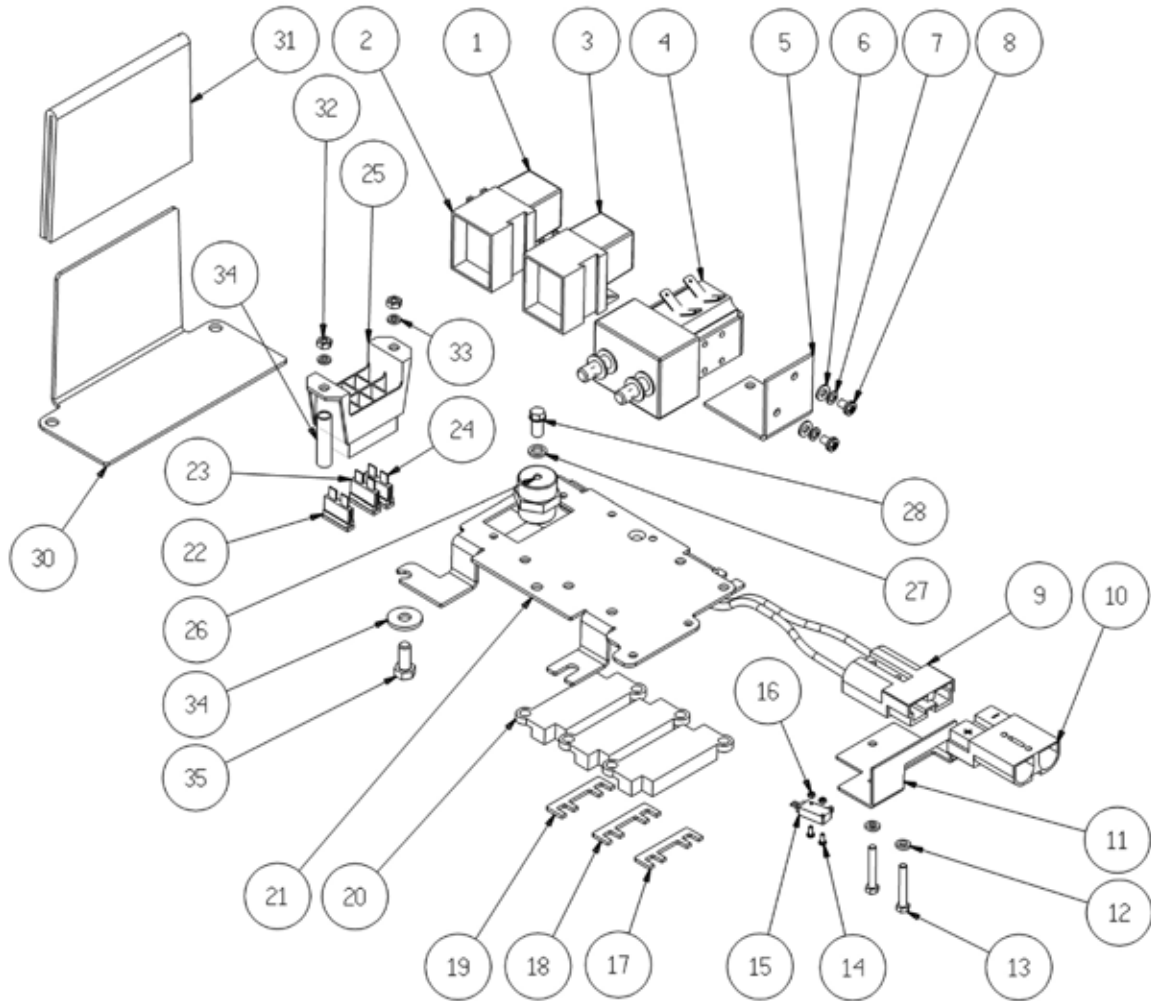
18	3MLML00328	SPRING	2
19	3VTVT21887	SCREW - TCB-TC 4X10 8112	2
20	3LAFN07235	DISTRIBUTOR	1
21	3VTDD01694	NUT - M 6 INX	4
22	3VTDD01694	NUT - M 6 INX	7
23	3VTRS13945	WASHER - D. 6X18 INX UNI 6593	5
24	3VTDD00175	NUT - M.6	8
25	3MPVR35582	RUBBER LAV.	8
26	3VTRS13945	WASHER - D. 6X18 INX UNI 6593	5
27	3VTVT00392	SCREW - M6x35 UNI5739 inox	5
28	3MPVR04746	FLAP - 355X63 sp.4	2
29	3MPVR05207	SHEET METAL	2
30	3VTRS13945	WASHER - D. 6X18 INX UNI 6593	8
31	3VTVT15143	SCREW - TE 6X16 UNI5739	8
32	3MOCC00328	MOTOR	2
32	3MOCC00344	BRUSH	4
33	3VTVR16617	KEY - 6X 6X30 UNI 6604	2

Elec Install



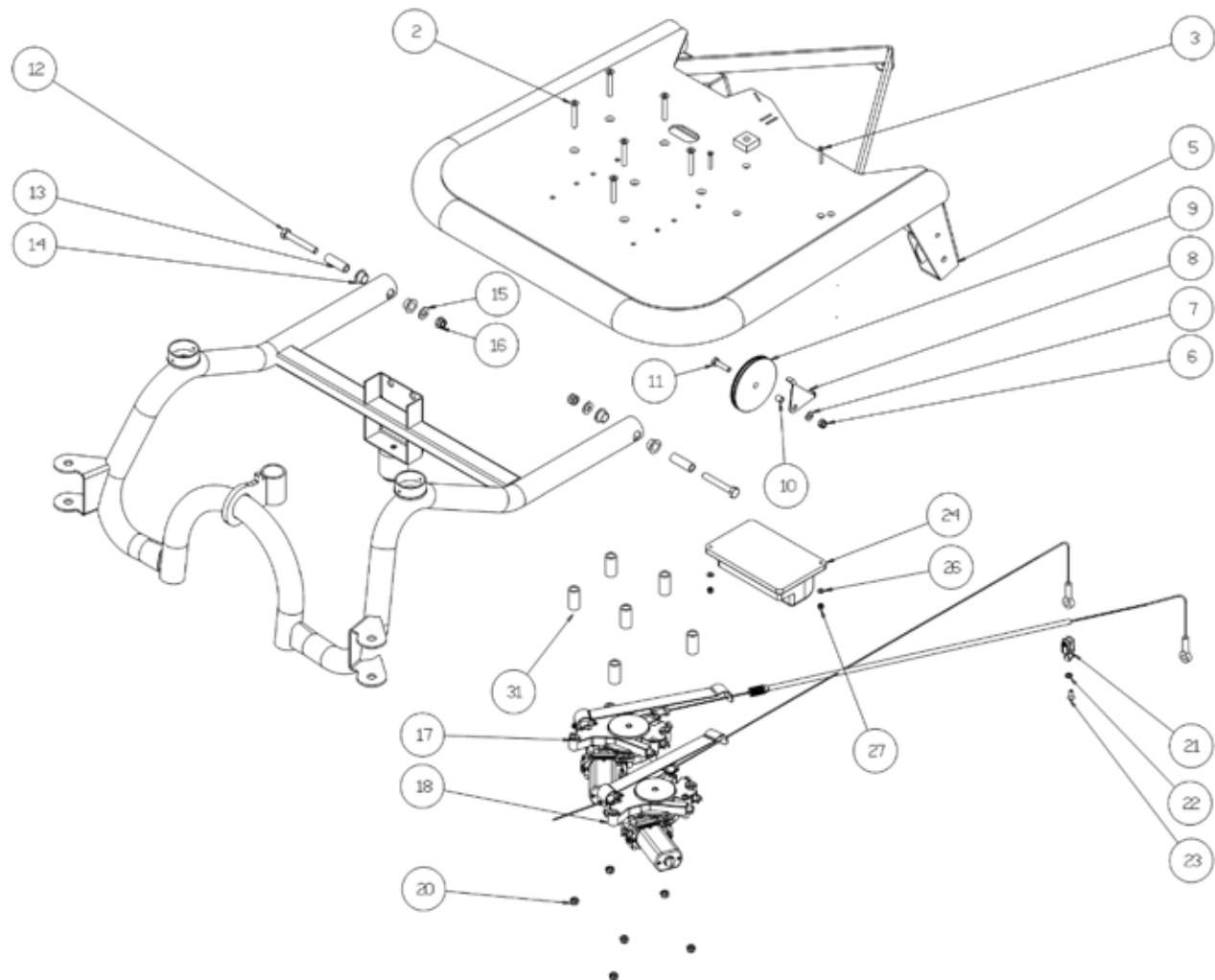
Ref.	Part N.	Description	Quantity	Validity From	Validity To
1	3MERL00006	SWITCH RELAY	1		
2	3METT00053	BLOCK	2		
3	3MERL00006	SWITCH RELAY	1		
4	3METT00085	CONTACTOR - 100A	1		
5	3LAFN07746	BRACKET	1		
9	3MEVR01707	CONNECTOR	1		
10	3MEVR01079	PLUG - M CB50 A 600V RD.	1		
11	3LAFN06409	SUPPORT	1		
12	3VTRS15913	WASHER - D. 4 GROVER A2 UNI1751	2		
13	3VTVT00814	SCREW - TE M.4-25	2		
14	3VTVT00671	SCREW - TC- M.2-16	2		
15	3MECI00334	MICROSWITCH	1		
16	3VTDD08634	NUT - M2	2		
17	3MEVR00604	FUSE	1		

Elec Install



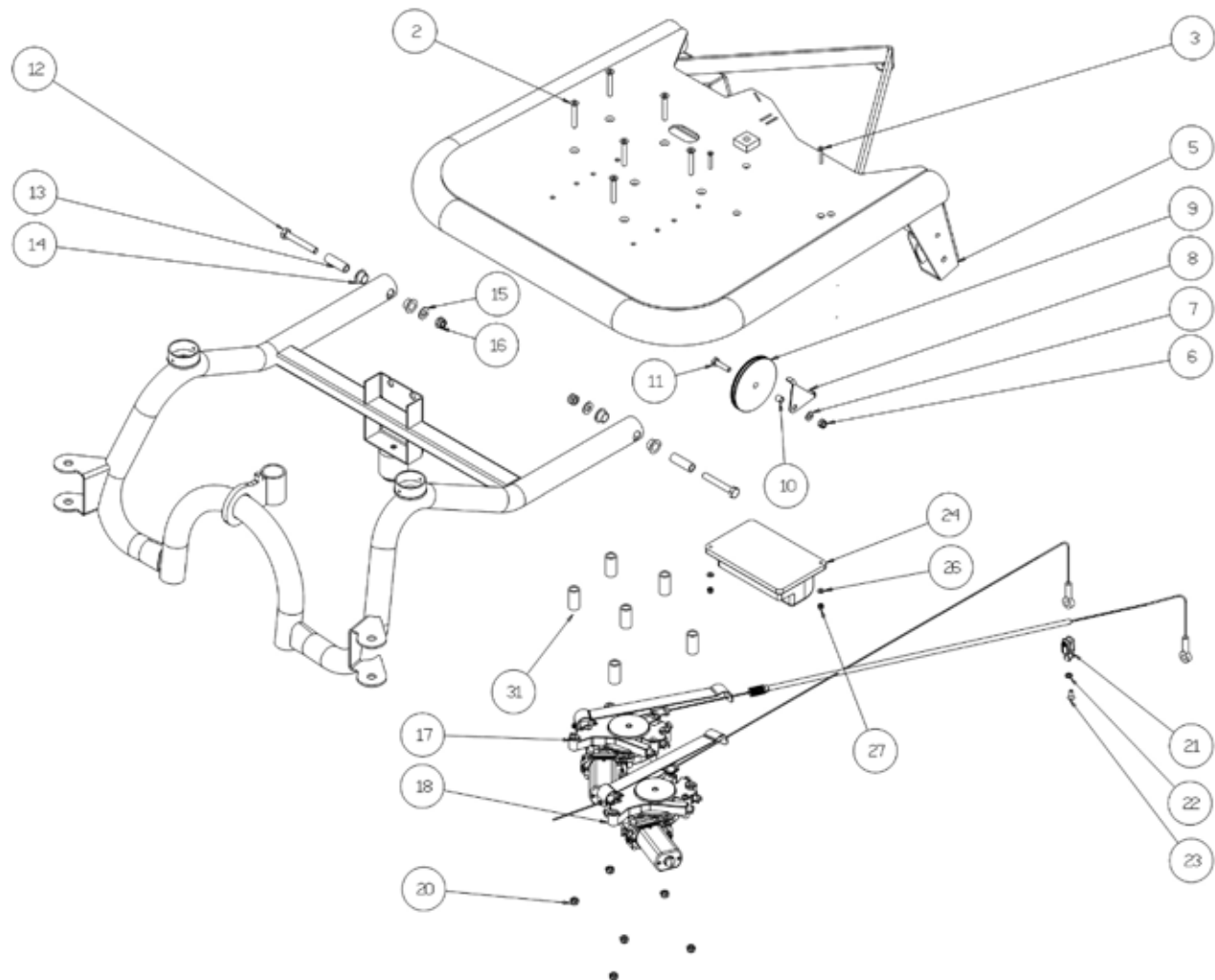
18	3MEVR02887	FUSE - 40A NST.	1
19	3MEVR00604	FUSE	1
20	3MEVR01332	FUSE HOLDER	3
21	3LAFN07460	SUPPORT	1
22	3MEVR01380	FUSE	1
23	3MEVR01428	FUSE	1
24	3MEVR01134	CARRYNG BAG	1
25	3MEVR00030	FUSE HOLDER	1
26	3MEVR44054	INSULATOR - M6 20-CH17	1
30	3LAFN07803	PLATE	1
31	3GUVR00295	GASKET	1
32	3VTDD00147	NUT - M 4 INX U.5588	2
33	3VTRS15913	WASHER - D. 4 GROVER A2 UNI1751	2
34	3VTRS13750	WASHER - D. 5X14 INX	4
35	3VTVT01300	SCREW - TE M5X12 INOX	4

Actuator



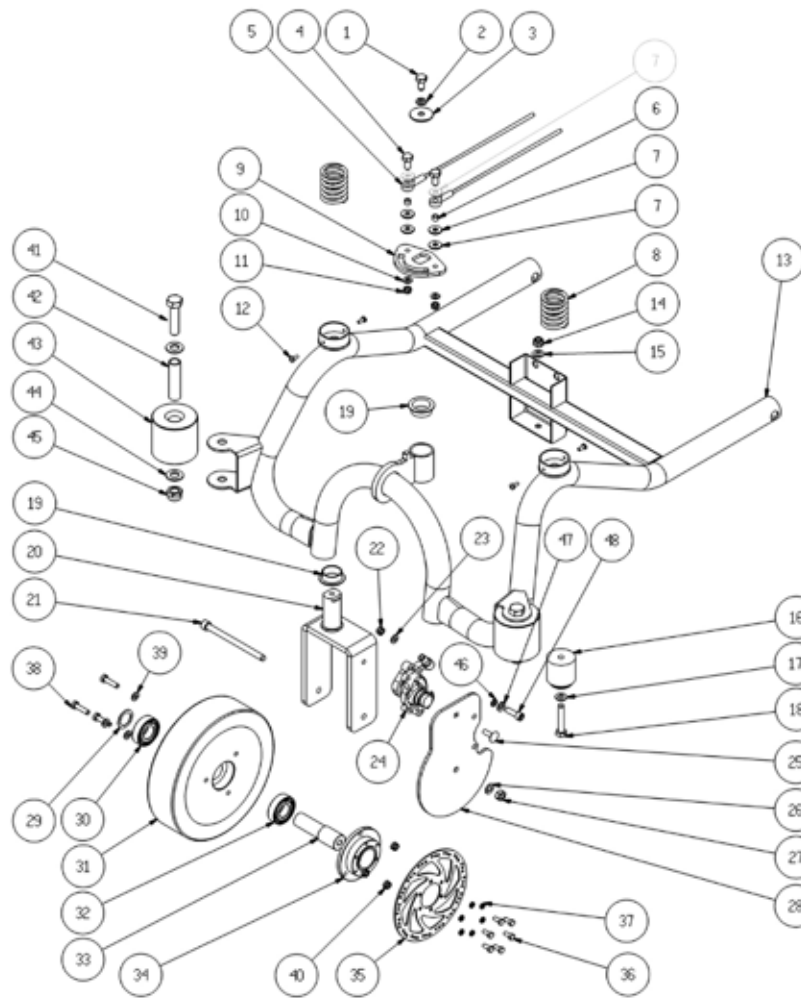
Ref.	Part N.	Description	Quantity	Validity From	Validity To
2	3VTVT01689	SCREW - TSEI 6X55	6		
3	3VTVT00877	SCREW - TSPEI UNI5933	2		
5	3LAFN07857	PLANE	1		
6	3VTDD01694	NUT - M 6 INX	1		
7	3VTRS00245	WASHER - D.6 UNI 6592 INOX	1		
8	3LAFN07572	SHEET METAL	1		
9	3MTPL00200	PULLEY	1		
10	3LAFN07571	SPACER	1		
11	3VTVT15141	SCREW - TE M 6X 25 UNI 5739 INX	1		
12	3VTVT00728	SCREW - TE M. 8-55	2		
13	3LAFN06926	PIN	2		
14	3CUVR00130	BEARING	4		

Actuator



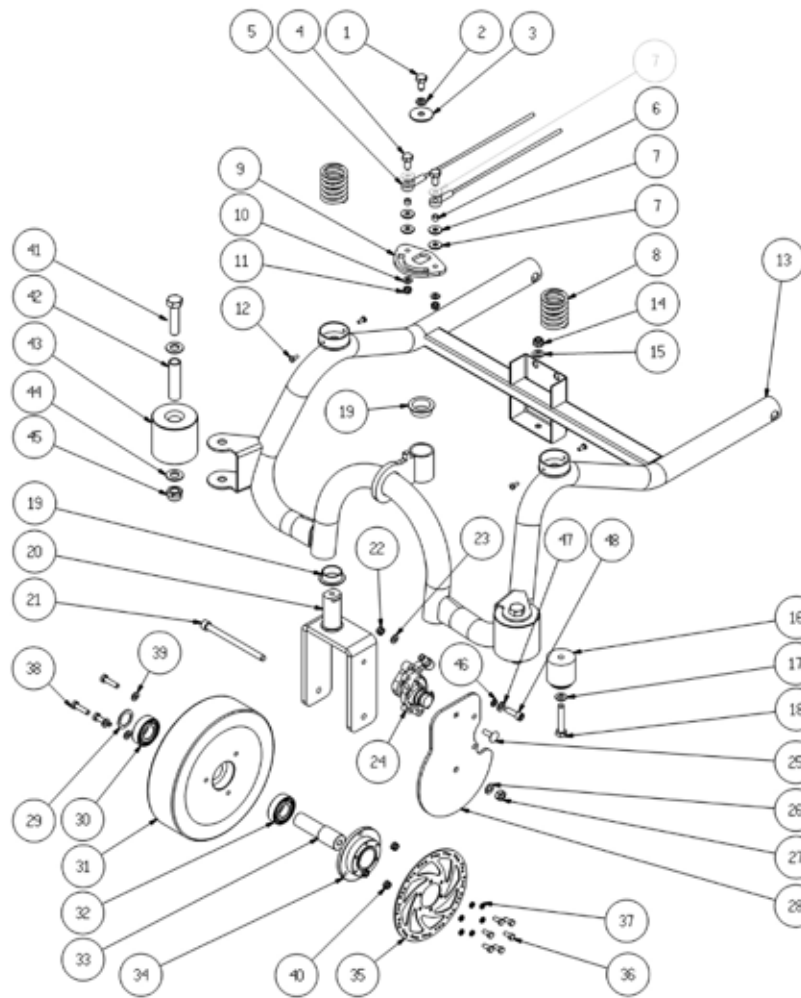
15	3VTRS13947	WASHER - D. 8 INX UNI 6592	2
16	3VTDD01695	NUT - M 8 INX	2
17	3MOCC00365	ATUATOR	1
18	3MOCC00364	ATUATOR	1
20	3VTDD01694	NUT - M 6 INX	6
21	3CMCV00001	FORK - UNI 1676 M8X16	1
21	3CMCV75718	CLIP - UNI 1676 M8	1
22	3VTRS15146	WASHER - D. 8 INX GRW UNI 1751	1
23	3VTVT13938	SCREW - TE 8X20 UNI5739 INX	1
24	3MECE00496	BOARD	1
26	3VTRS00515	WASHER - D. 4 INX	2
27	3VTDD00055	NUT - M 4 ATB A2	2
31	3MPVR05820	SPACER	6

Fore Wheel



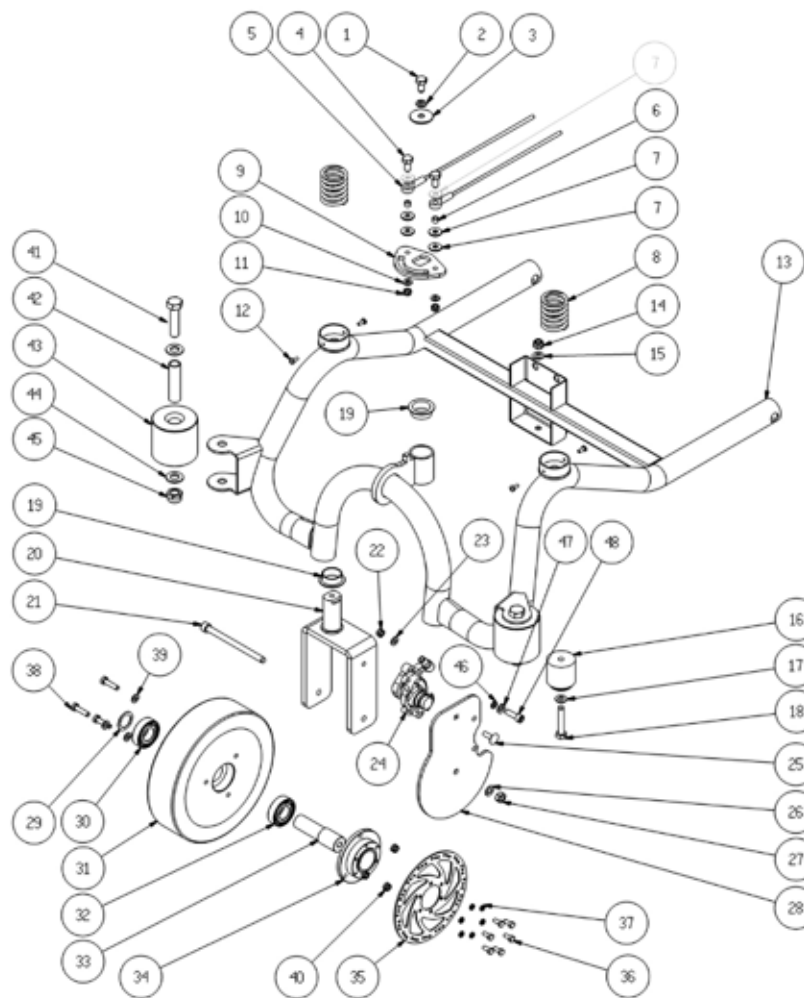
Ref.	Part N.	Description	Quantity	Validity From	Validity To
1	3VTVT15916	SCREW - TE M 8X 16 UNI 5739 A2	1		
2	3VTRS15146	WASHER - D. 8 INX GRW UNI 1751	1		
3	3VTRS16323	WASHER - D. 8 X32 UNI 6593 INX	1		
4	3VTVT15141	SCREW - TE M 6X 25 UNI 5739 INX	2		
5	3CMCV00446	CABLE	2		
6	3LAFN07876	SPACER	2		
7	3VTRS00245	WASHER - D.6 UNI 6592 INOX	6		
8	3MLML00324	SPRING	2		
9	3LAFN06912	PLATE	1		
10	3VTRS00245	WASHER - D.6 UNI 6592 INOX	2		
11	3VTDD01694	NUT - M 6 INX	2		
12	3VTVT01004	SCREW - TC+ M4 X 10	4		
13	3LAFN07858	TUBE	1		
14	3VTDD01695	NUT - M 8 INX	1		
15	3VTRS13947	WASHER - D. 8 INX UNI 6592	1		
16	3ABGO00017	PLUG - D.40x50	1		

Fore Wheel



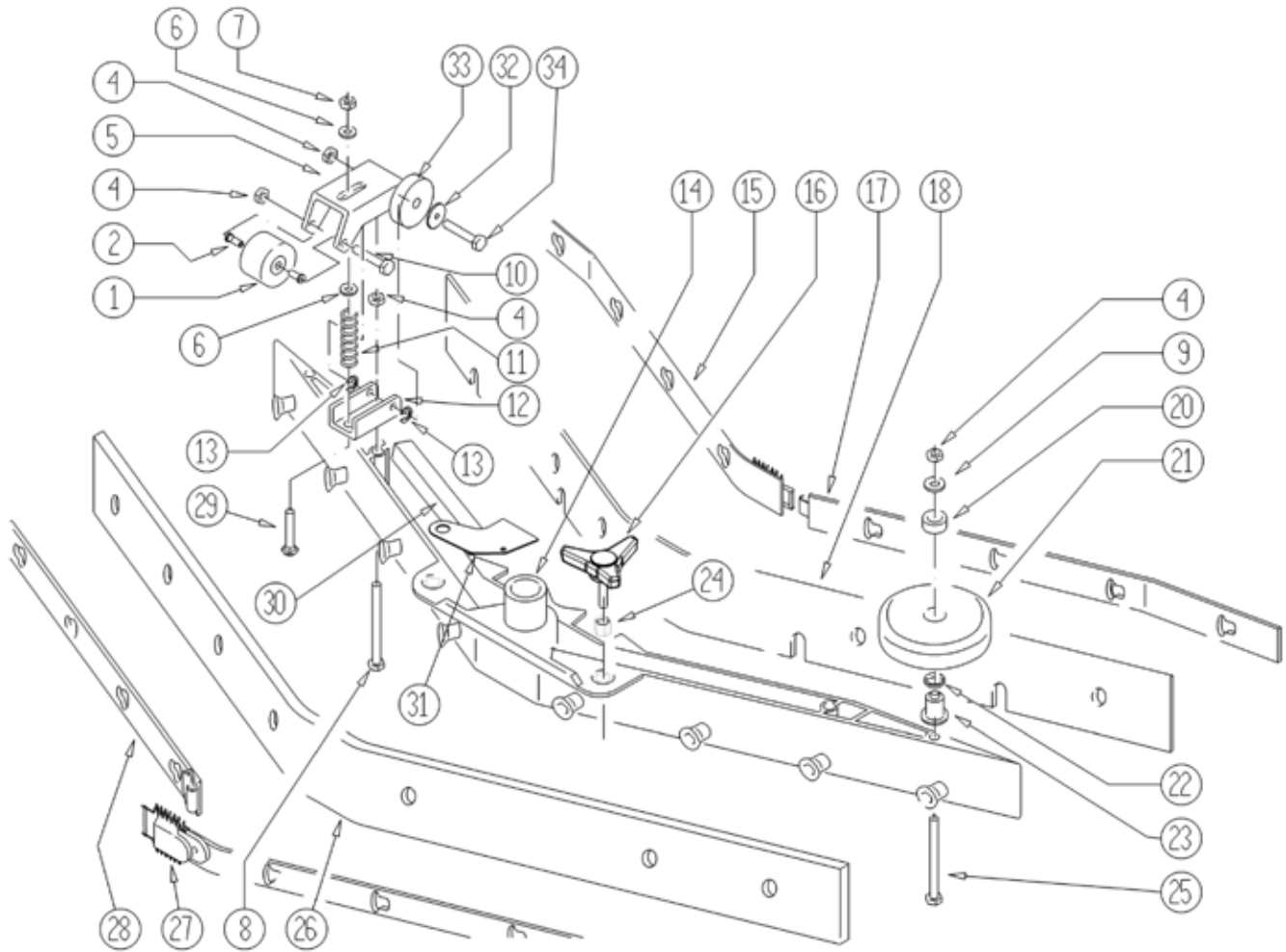
17	3VTRS13947	WASHER - D. 8 INX UNI 6592	1
18	3VTVT15917	SCREW - TE M 8X50 INOX A2 UNI	1
19	3MPVR05408	BUSHING	2
20	3LAFN06913	BRACKET	1
21	3VTVT67560	SCREW - TCEI M8X110 INOX AISI 304	1
22	3VTDD01694	NUT - M 6 INX	1
23	3VTRS00245	WASHER - D.6 UNI 6592 INOX	1
24	3LAFN07569	BRAKE	1
25	3VTVT00745	SCREW - TTQST M 6X 20 UNI5732 IX	1
26	3VTRS15146	WASHER - D. 8 INX GRW UNI 1751	1
27	3VTDD15521	NUT - M 8 INX A2 UNI 5588	1
28	3LAFN07567	PLATE	1
29	3VTRS00032	THICKNESS	1
30	3CUVR19846	BALL BEARING 6004 2RS1	1
31	3RTRT00530	WHEEL	1
32	3CUVR19846	BALL BEARING	1

Fore Wheel



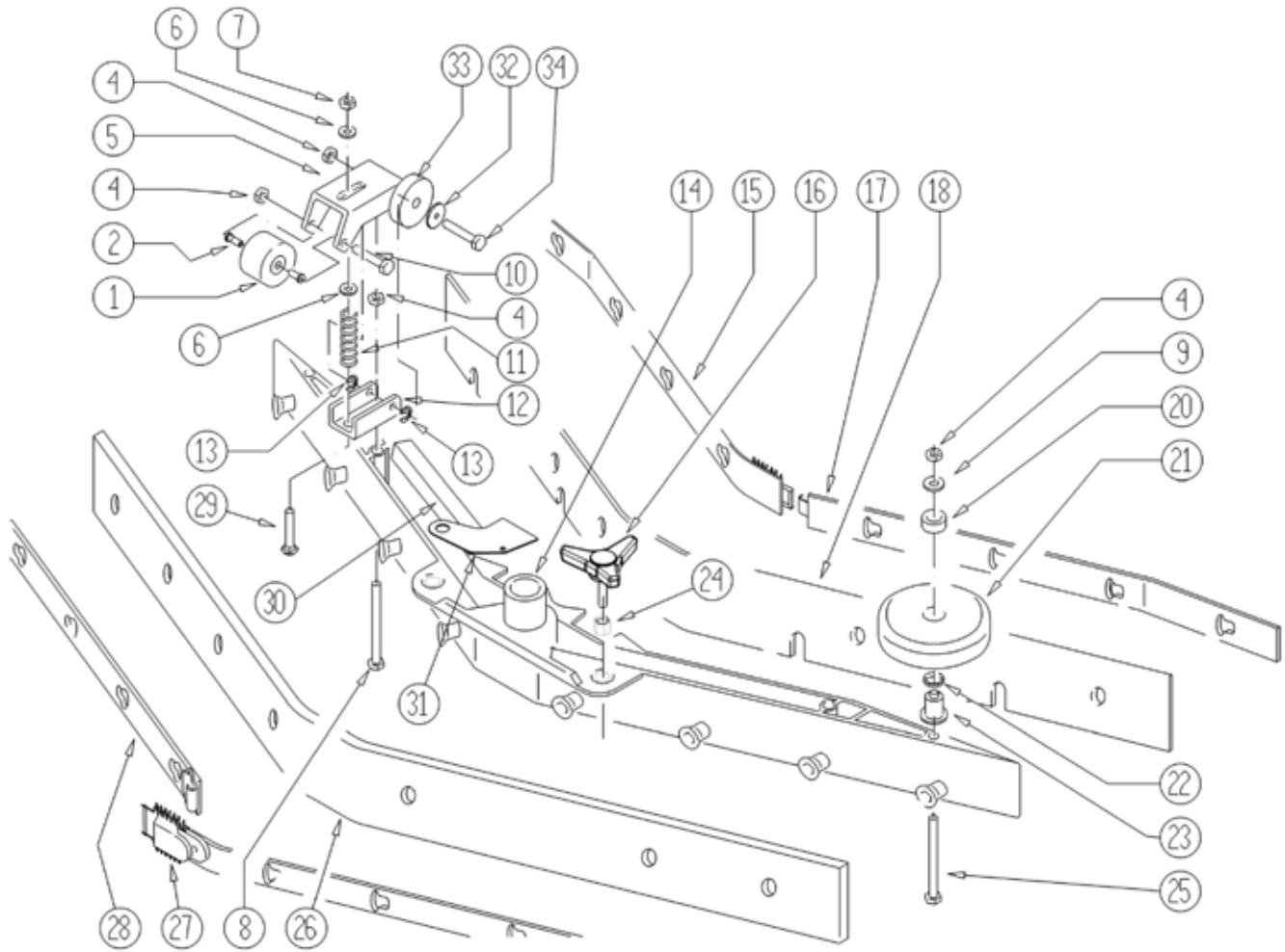
33	3LAFN06914	PIN	1
34	3LAFN07570	SPACER	1
35	3LAFN07569	BRAKE	1
36	3VTVT01300	SCREW - TE M5X12 INOX	6
37	3VTRS15908	WASHER - D. 5 INX GRW UNI 1751	6
38	3VTVT00714	CARRYNG BAG	3
39	3VTRS00245	WASHER - D.6 UNI 6592 INOX	3
40	3VTDD01694	NUT - M 6 INX	3
41	3VTVT01686	SCREW - TE M12X90	2
42	3LAFN08803	SPACER	2
43	3MPVR05607	ROLLER	2
44	3VTRS15978	WASHER - D.12X24 UNI 6592 INX	2
45	3VTDD00176	NUT - M.12 INOX A2 BRASS	2
46	3VTRS00245	WASHER - D.6 UNI 6592 INOX	2
47	3VTRS15144	WASHER - D. 6 INX GRW UNI 1751	2
48	3VTVT00717	SCREW - TCEI M. 6-16	2

Squeegee



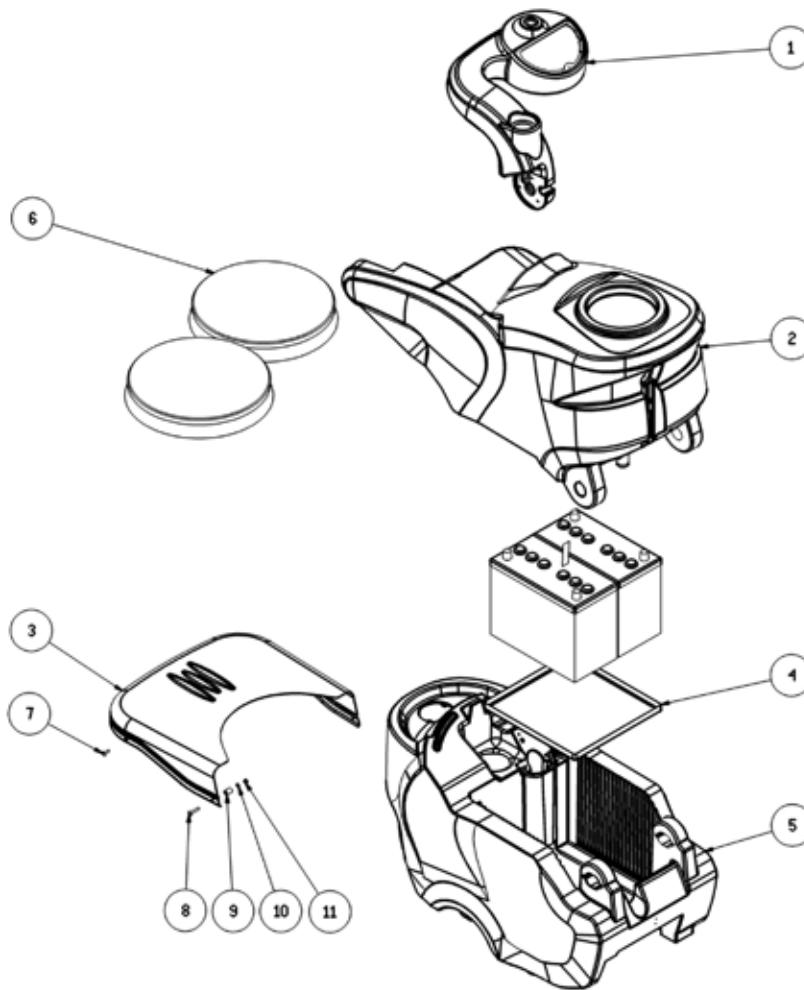
Ref.	Part N.	Description	Quantity	Validity From	Validity To
1	3RTRT00379	WHEEL	2		
2	3LAFN40138	SPACER	4		
4	3VTDD01694	NUT - M 6 INX	8		
5	3LAFN05559	SUPPORT	2		
6	3VTRS13947	WASHER - D. 8 INX UNI 6592	4		
7	3VTDD01695	NUT - M 8 INX	2		
8	3VTVT15142	SCREW - TE M 6x45 INOX	2		
9	3VTRS00245	WASHER - D.6 UNI 6592 INOX	2		
10	3VTVT15515	SCREW - TE M 6X 50 INOX A2	4		
11	3MLML49422	SPRING - D.15X 45 X1	2		
12	3LAFN51069	BRACKET - SQUEEGEE	2		
13	3VTAE45707	CIRCLIP - D. 6 UNI 7434 INOX	4		
14	3MFVR00141	BODY SQUEEGEE - S	1		
15	3LAFN51045	LAMINATION BLOCK - S	1		
16	3MPVR05265	KNOB - 8X25	2		
17	3LAFN51044	LAMINATION BLOCK - S	1		

Squeegee



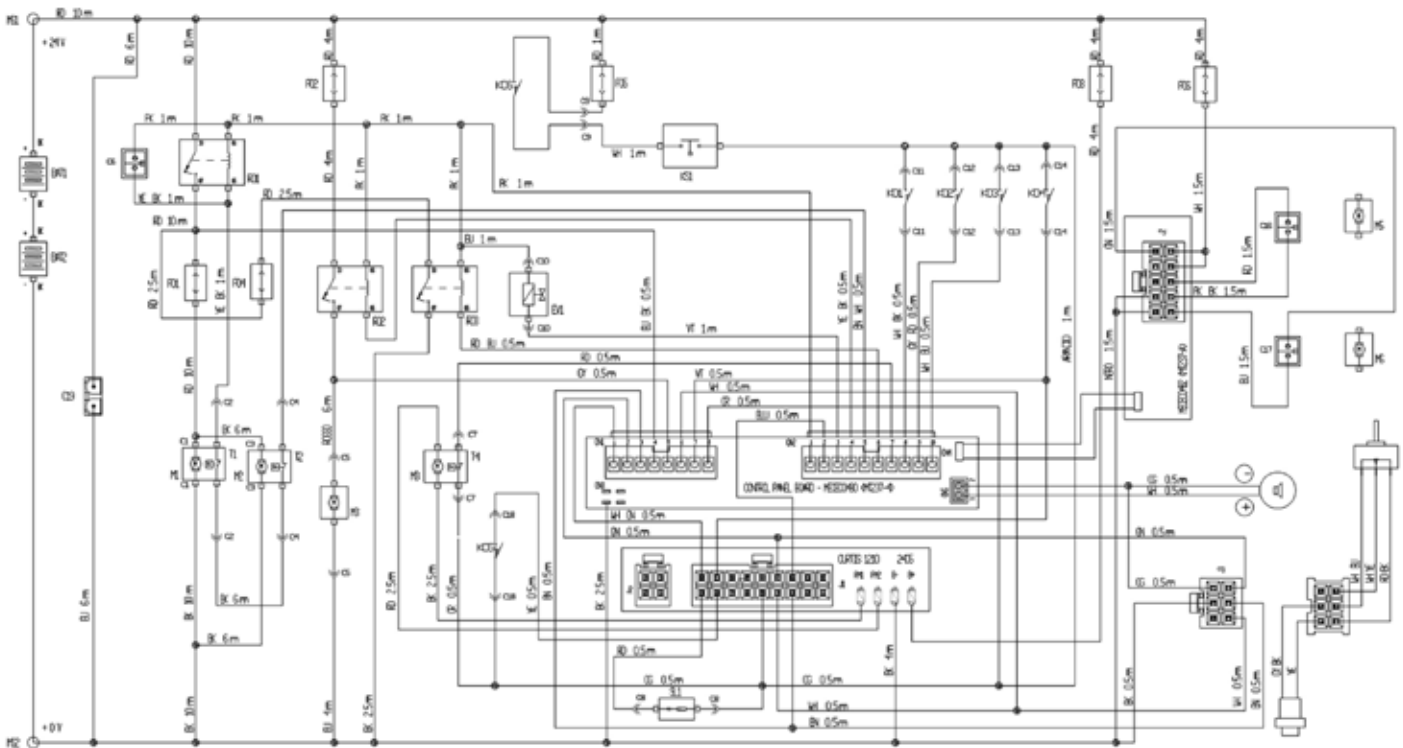
18	3MPVR45194	RUBBER BLADE	1
20	3MPVR49229	BUSHING	2
21	3MPVR05290	ROLLER	2
22	3GUGO00164	GASKET	2
23	3LAFN04100	SPACER	2
24	3VTVR00022	INSERT	2
25	3VTVT17342	SCREW - TE M 6X 60 UNI 5739 INX	2
26	3MPVR45195	RUBBER BLADE	1
27	3LAFN49284	BLADE HOLDER - S	1
28	3LAFN49285	BLADE HOLDER - S	1
29	3VTVT01304	SCREW - M 8X 40 TTQST UNI 5731	2
30	3LAFN51039	WEIGHT	2
31	3LAFN07805	SHEET METAL	2
32	3VTRS16937	WASHER - 6x24 INOX UNI 6593	2
33	3MPVR04729	WASHER - RUBBER 8X40 40SH	2
34	3VTVT17342	SCREW - TE M 6X 60 UNI 5739 INX	2

Tank



Ref.	Part N.	Description	Quantity	Validity From	Validity To
1	3MPVR05958	ARM	1		
2	3MPVR05959	TANK - RECOVERY	1		
3	3MPVR05779	COVER	1		
4	3LAFN35588	BATTERY SUPPORT	1		
5	3MPVR05979	TANK - SOLUTION	1		
6	3SPPV00428	BRUSH - NYLON	2		
7	3VTVT00858	SCREW	2		
8	3VTVT01370	SCREW - M6X35	2		
9	3MPVR05687	SPACER	2		
10	3VTRS00245	WASHER - D.6 UNI 6592 INOX	2		
11	3VTDD01694	NUT - M 6 INX	2		

Elec 1

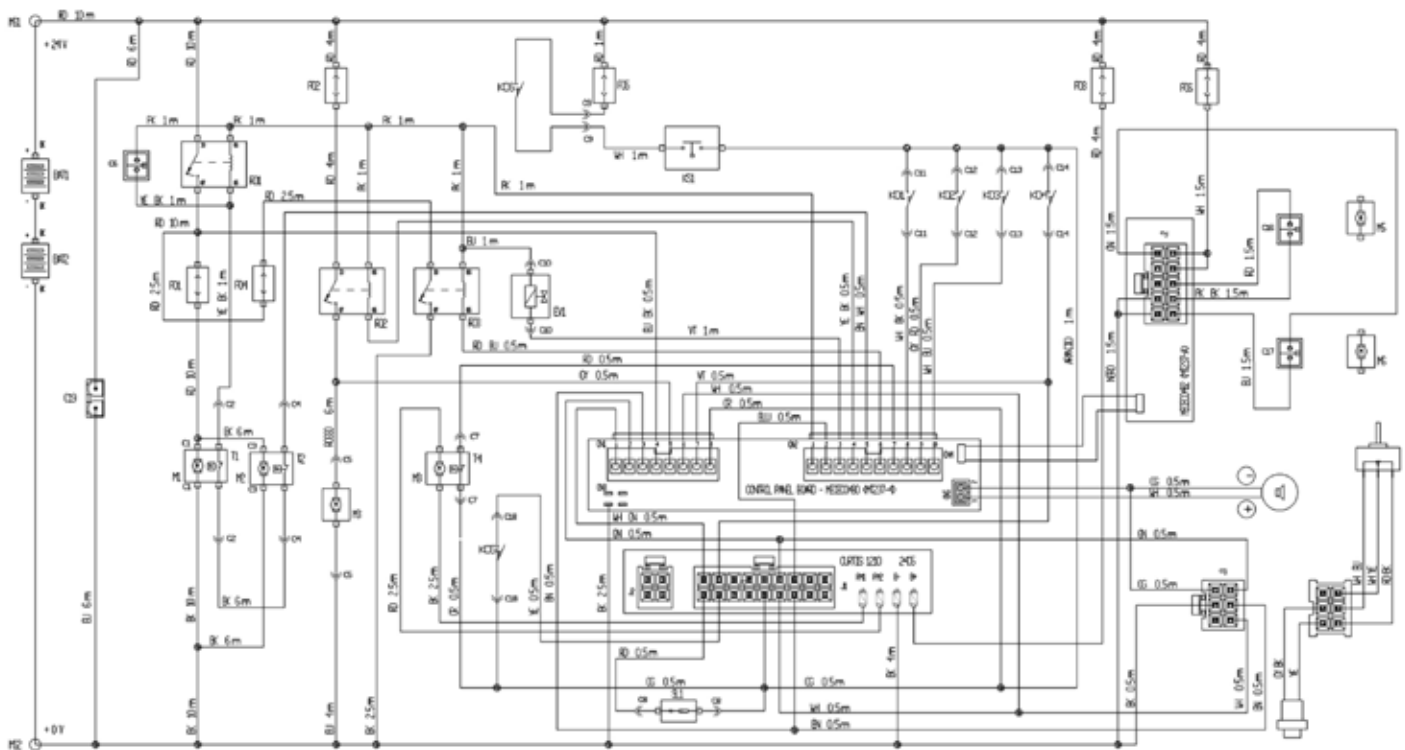


CONNECTORS: VIEW FROM WIRE SIDE

EV1	3MEEV00018	SOLENOID VALVE
F01	3MEVR00604	FUSE
F02	3MEVR02887	FUSE - 40A
F03	3MEVR00604	FUSE
F04	3MEVR02887	FUSE - 40A
F05	3MEVR01428	FUSE
F06	3MEVR01134	CARRYNG BAG
K01	3MEVR00148	DASHBOARD
K02	3MECI00516	SENSOR
K03	3MECI00516	SENSOR
K04	3MECI30499	SWITCH - 10A - 250VAC

Ref.	Part N.	Description	Quantity	Validity From	Validity To
EV1	3MEEV00018	SOLENOID VALVE	1		
F01	3MEVR00604	FUSE	1		
F02	3MEVR02887	FUSE - 40A	1		
F03	3MEVR00604	FUSE	1		
F04	3MEVR02887	FUSE - 40A	1		
F05	3MEVR01428	FUSE	1		
F06	3MEVR01134	CARRYNG BAG	1		
K01	3MEVR00148	DASHBOARD	1		
K02	3MECI00516	SENSOR	1		
K03	3MECI00516	SENSOR	1		
K04	3MECI30499	SWITCH - 10A - 250VAC	1		

Elec 1



CONNECTORS: VIEW FROM WIRE SIDE

1	BI	0.5m
2	BI	0.5m
3	BI	0.5m
4	BI	0.5m
5	BI	0.5m
6	BI	0.5m
7	BI	0.5m
8	BI	0.5m
9	BI	0.5m
10	BI	0.5m
11	BI	0.5m
12	BI	0.5m
13	BI	0.5m
14	BI	0.5m
15	BI	0.5m
16	BI	0.5m
17	BI	0.5m
18	BI	0.5m
19	BI	0.5m
20	BI	0.5m
21	BI	0.5m
22	BI	0.5m
23	BI	0.5m
24	BI	0.5m
25	BI	0.5m
26	BI	0.5m
27	BI	0.5m
28	BI	0.5m
29	BI	0.5m
30	BI	0.5m
31	BI	0.5m
32	BI	0.5m
33	BI	0.5m
34	BI	0.5m
35	BI	0.5m
36	BI	0.5m
37	BI	0.5m
38	BI	0.5m
39	BI	0.5m
40	BI	0.5m
41	BI	0.5m
42	BI	0.5m
43	BI	0.5m
44	BI	0.5m
45	BI	0.5m
46	BI	0.5m
47	BI	0.5m
48	BI	0.5m
49	BI	0.5m
50	BI	0.5m
51	BI	0.5m
52	BI	0.5m
53	BI	0.5m
54	BI	0.5m
55	BI	0.5m
56	BI	0.5m
57	BI	0.5m
58	BI	0.5m
59	BI	0.5m
60	BI	0.5m
61	BI	0.5m
62	BI	0.5m
63	BI	0.5m
64	BI	0.5m
65	BI	0.5m
66	BI	0.5m
67	BI	0.5m
68	BI	0.5m
69	BI	0.5m
70	BI	0.5m
71	BI	0.5m
72	BI	0.5m
73	BI	0.5m
74	BI	0.5m
75	BI	0.5m
76	BI	0.5m
77	BI	0.5m
78	BI	0.5m
79	BI	0.5m
80	BI	0.5m
81	BI	0.5m
82	BI	0.5m
83	BI	0.5m
84	BI	0.5m
85	BI	0.5m
86	BI	0.5m
87	BI	0.5m
88	BI	0.5m
89	BI	0.5m
90	BI	0.5m
91	BI	0.5m
92	BI	0.5m
93	BI	0.5m
94	BI	0.5m
95	BI	0.5m
96	BI	0.5m
97	BI	0.5m
98	BI	0.5m
99	BI	0.5m
100	BI	0.5m

K05	3MECI00560	SENSOR - SMP14-C-001	1
K06	3MECI00334	MICROSWITCH V4	1
KS1	3MECI00402	BUTTON	1
M1	3MOCC00328	MOTOR	1
M2	3MOCC00328	MOTOR	1
M3	3MOCC00342	VACUUM CLEANER - 24V	1
M4	3MOCC00395	MOTOR	1
M5	3MOCC00364	ATUATOR	1
M6	3MOCC00365	ATUATOR	1
R01	3METT00085	CONTACTOR - 100A	1
R02	3MERL00006	SWITCH RELAY - R502 024 H3M 1NO 80A	1
R03	3MERL00006	SWITCH RELAY - R502 024 H3M 1NO 80A	1

Elec 2

COMPONENTS	
F01	FUSE- BRUSH MOTORS (80 A)
F02	FUSE-VOLUM MOTOR (<0 A)
F03	FUSE-CURTIS TRACTION MOTORS (80 A)
F04	FUSE-RELAYS RELEASE (<0 A)
F05	FUSE-CURTIS-CONTROL PANEL (2 A)
F06	FUSE-ACTUATORS (20 A)
R01	RELAY- BRUSH MOTORS
R02	RELAY- VOLUM MOTOR
R03	RELAY- TRACTION MOTOR
R04	RELAY- BRUSH RELEASE
EV1	ELECTRO-VALVE
K01	OVERHEAT KEY
K02	SWITCH- SEAT
K03	SWITCH+ RECOVERY TANK LEVEL (PHO)
K04	SWITCH+ SOLUTION TANK LEVEL (PHN)
K05	SWITCH+ FORWARD / REWARD
K06	SWITCH STEERING
K07	SWITCH+ BATTERY RED-HIRE SAFETY
M1	MOTOR- BRUSH 1
M2	MOTOR- BRUSH 2
M3	MOTOR- VOLUM
M4	MOTOR- TRACTION
M5	BRUSH ACTUATORS
M6	SOLLELLE ACTUATORS
T1	THERMIC SWITCH- BRUSH MOTOR 1
T2	THERMIC SWITCH- BRUSH MOTOR 2
T4	THERMIC SWITCH- TRACTION MOTOR
J1	CONN-CONTROLLO CURTIS
J2	CONN- SCHEDA ATTUATORI
J3	CONN- INTELLIGRAMME + GLACON
RM1	CONN-FASION MOTORE 1 CURTIS
RM2	CONN-FASION MOTORE 2 CURTIS
B+	CONN-FASION POSITIVO BATTERIA CURTIS
B-	CONN-FASION NEGATIVO BATTERIA CURTIS
SL1	STATUS LED CURTIS

COMPONENTS	
M01	CONNECTOR- BATTERY POSITIVE
M02	CONNECTOR- BATTERY NEGATIVE
C1	CONNECTOR- BRUSH MOTOR 1
C2	CONNECTOR- THERMIC SW. BRUSH MOTOR 1
C3	CONNECTOR- BRUSH MOTOR 2
C4	CONNECTOR- THERMIC SW. BRUSH MOTOR 2
C5	CONNECTOR- VOLUM MOTOR
C6	CONNECTOR- "OH-DEE" ACCESSORY
C7	CONNECTOR- THERMIC SWITCH+TRACTION MOTOR
C8	CONNECTOR- PRESSURE BOARD
C9	CONNECTOR- BATTERY RED-HIRE SAFETY
C00	CONNECTOR- BOARD ELECTROVALVE
C11	CONNECTOR- HND LEVER
C12	CONNECTOR- RECOVERY TANK LEVEL (PHO)
C13	CONNECTOR- SOLUTION TANK LEVEL (PHN)
C14	CONNECTOR- FORWARD / REWARD
C15	CONNECTOR- EXTERNAL BATT. CHARGER
C16	CONNECTOR- TRACTION MOTOR
C17	CONNECTOR-SOLLELLE ACTUATORS
C18	SWITCH STEERING
C19	CONNECTOR- BATTERY RED-HIRE
O1	CONNECTOR- CONTROL PANEL BOARD
O2	CONNECTOR- CONTROL PANEL BOARD
O3	CONNECTOR- CONTROL PANEL BOARD
O4	CONNECTOR- CONTROL PANEL BOARD

Ref.	Part N.	Description	Quantity	Validity From	Validity To
EV1	3MEEV00018	SOLENOID VALVE	1		
F01	3MEVR00604	FUSE	1		
F02	3MEVR02887	FUSE - 40A	1		
F03	3MEVR00604	FUSE	1		
F04	3MEVR02887	FUSE - 40A	1		
F05	3MEVR01428	FUSE	1		
F06	3MEVR01134	CARRYNG BAG	1		
K01	3MEVR00148	DASHBOARD	1		
K02	3MECI00516	SENSOR	1		
K03	3MECI00516	SENSOR	1		
K04	3MECI30499	SWITCH - 10A - 250VAC	1		

Elec 2

COMPONENTS		
R01	REL- BRUSH MOTOR (80 A)	FUSIBILE SPAZZOLA FORNIDA (80 A)
R02	REL-VOLUM MOTOR (<0 A)	FUSIBILE ASPIRATORE FORNIDA (<0 A)
R03	REL-CURTIS TRACTION MOTOR (80 A)	FUSIBILE CURTIS MORSE TRAZIONE (80 A)
R04	REL-RELBS RELEASE (<0 A)	FUSIBILE SONCIO SPAZZOLE (<0 A)
R05	REL CURTIS-CONTROL PANEL (2 A)	FUSIBILE CURTIS-PLACCA (2 A)
R06	REL- ACTUATORS (20 A)	FUSIBILE ATTUATORI (20 A)
R01	RELAY- BRUSH MOTORS	TELETRATTORE SPAZZOLE
R02	RELAY- VOLUM MOTOR	RELE" ASPIRATORE
R03	RELAY- TRACTION MOTOR	RELE" MORSE TRAZIONE
R04	RELAY- BRUSH RELEASE	RELE" SONCIO SPAZZOLE
EVI	ELECTRO-VALVE	ELETTROVALVOLA ACQUA
KS1	GENERAL KEY	CHIAVE AVANZAMENTO
K01	SWITCH- SEAT	MICRO INTERRUITORE SEBBILE
K02	SWITCH+ RECOVERY TANK LEVEL (PHO)	LIVELLO TROFO PIENO (N.O.)
K03	SWITCH+ SOLUTION TANK LEVEL (MIN)	LIVELLO MINIMO SERBATOIO (N.O.)
K04	SWITCH+ FORWARD / REWARD	INTERUTTORE MARCIA AVANTI / INDIETRO
K05	SWITCH STEERING	SEBBILE STERZO
K06	SWITCH+ BATTERY RED-HIRE SAFETY	MICRO SICUREZZA RICARICA BATTERIE
M1	MOTOR- BRUSH 1	MOTORE SPAZZOLA -1
M2	MOTOR- BRUSH 2	MOTORE SPAZZOLA -2
M3	MOTOR- VOLUM	MOTORE ASPIRATORE
M4	MOTOR- TRACTION	MOTORE TRAZIONE
M5	BRUSH ACTUATORS	ATTUATORE SPAZZOLE
M6	SOLUBLEE ACTUATORS	ATTUATORE SOLUBLEE
T1	THERMIC SWITCH BRUSH MOTOR 1	TERMICA MORSE SPAZZOLA -1
T2	THERMIC SWITCH BRUSH MOTOR 2	TERMICA MORSE SPAZZOLA -2
T4	THERMIC SWITCH TRACTION MOTOR	TERMICA MORSE TRAZIONE
J1	CONN-CONTROLLO CURTIS	CONN-CONTROLLO CURTIS
J2	CONN- SCHEDA ATTUATORI	CONN. SCHEDA ATTUATORI
J3	CONN. INTELLIGENTORE + CLACSON	CONN. INTELLIGENTORE + CLACSON
R01	CONN-FASION MORSE 1 CURTIS	CONN-FASION MORSE 1 CURTIS
R02	CONN-FASION MORSE 2 CURTIS	CONN-FASION MORSE 2 CURTIS
B+	CONN-FASION POSITIVO BATTERIA CURTIS	CONN-FASION POSITIVO BATTERIA CURTIS
B-	CONN-FASION NEGATIVO BATTERIA CURTIS	CONN-FASION NEGATIVO BATTERIA CURTIS
SL1	STATUS LED CURTIS	STATUS LED CURTIS

COMPONENTS		
M01	CONNECTOR- BATTERY POSITIVE	MORSETTO BATTERIA POSITIVO
M02	CONNECTOR- BATTERY NEGATIVE	MORSETTO BATTERIA NEGATIVO
C1	CONNECTOR- BRUSH MOTOR 1	CONN. MORSE SPAZZOLA -1
C2	CONNECTOR- THERMIC SW. BRUSH MOTOR 1	CONN. TERMICA MORSE SPAZZOLA -1
C3	CONNECTOR- BRUSH MOTOR 2	CONN. MORSE SPAZZOLA -2
C4	CONNECTOR- THERMIC SW. BRUSH MOTOR 2	CONN. TERMICA MORSE SPAZZOLA -2
C5	CONNECTOR- VOLUM MOTOR	CONN. MORSE ASPIRATORE
C6	CONNECTOR- "OH-DEE" ACCESSORY	CONN. OH-DEE
C7	CONNECTOR- THERMIC SWITCH-TRACTION MOTOR	CONN. TERMICA MORSE TRAZIONE
C8	CONNECTOR- PRESSURE BOARD	CONN. POSITIVO SCHEDA PRESSIONE
C9	CONNECTOR- BATTERY RED-HIRE SAFETY	CONN. SICUREZZA RICARICA BATTERIE
C00	CONNECTOR- BOARD ELECTROVALVE	CONN. E.V. HEAD SCHEDA ELETTROVALVA
C11	CONNECTOR- HND LEVER	CONN. LEVA TRAZIONE
C12	CONNECTOR- RECOVERY TANK LEVEL (PHO)	CONN. LIVELLO TROFO PIENO
C13	CONNECTOR- SOLUTION TANK LEVEL (MIN)	CONN. LIVELLO MINIMO
C14	CONNECTOR- FORWARD / REWARD	CONN. SELETORE MARCIA
C15	CONNECTOR- EXTERNAL BATT. CHARGER	CONN. MICRO C.B. ESTERNO
C16	CONNECTOR- TRACTION MOTOR	CONN. MORSE TRAZIONE
C17	CONNECTOR-SOLUBLEE ACTUATORS	CONN. ATTUATORE SOLUBLEE
C18	SWITCH STEERING	SEBBILE STERZO
C19	CONNECTOR- BATTERY RED-HIRE	SPINA INTERSON RICARICA BATTERIE
O01	CONNECTOR- CONTROL PANEL BOARD	CONN. 1 SCHEDA PLACCA
O02	CONNECTOR- CONTROL PANEL BOARD	CONN. 2 SCHEDA PLACCA
O03	CONNECTOR- CONTROL PANEL BOARD	CONN. 3 SCHEDA PLACCA
O04	CONNECTOR- CONTROL PANEL BOARD	CONN. 4 SCHEDA PLACCA

K05	3MECI00560	SENSOR - SMP14-C-001	1
K06	3MECI00334	MICROSWITCH V4	1
KS1	3MECI00402	BUTTON	1
M1	3MOCC00328	MOTOR	1
M2	3MOCC00328	MOTOR	1
M3	3MOCC00342	VACUUM CLEANER - 24V	1
M4	3MOCC00395	MOTOR	1
M5	3MOCC00364	ATUATOR	1
M6	3MOCC00365	ATUATOR	1
R01	3METT00085	CONTACTOR - 100A	1
R02	3MERL00006	SWITCH RELAY - R502 024 H3M 1NO 80A	1
R03	3MERL00006	SWITCH RELAY - R502 024 H3M 1NO 80A	1