

# PARTS MANUAL

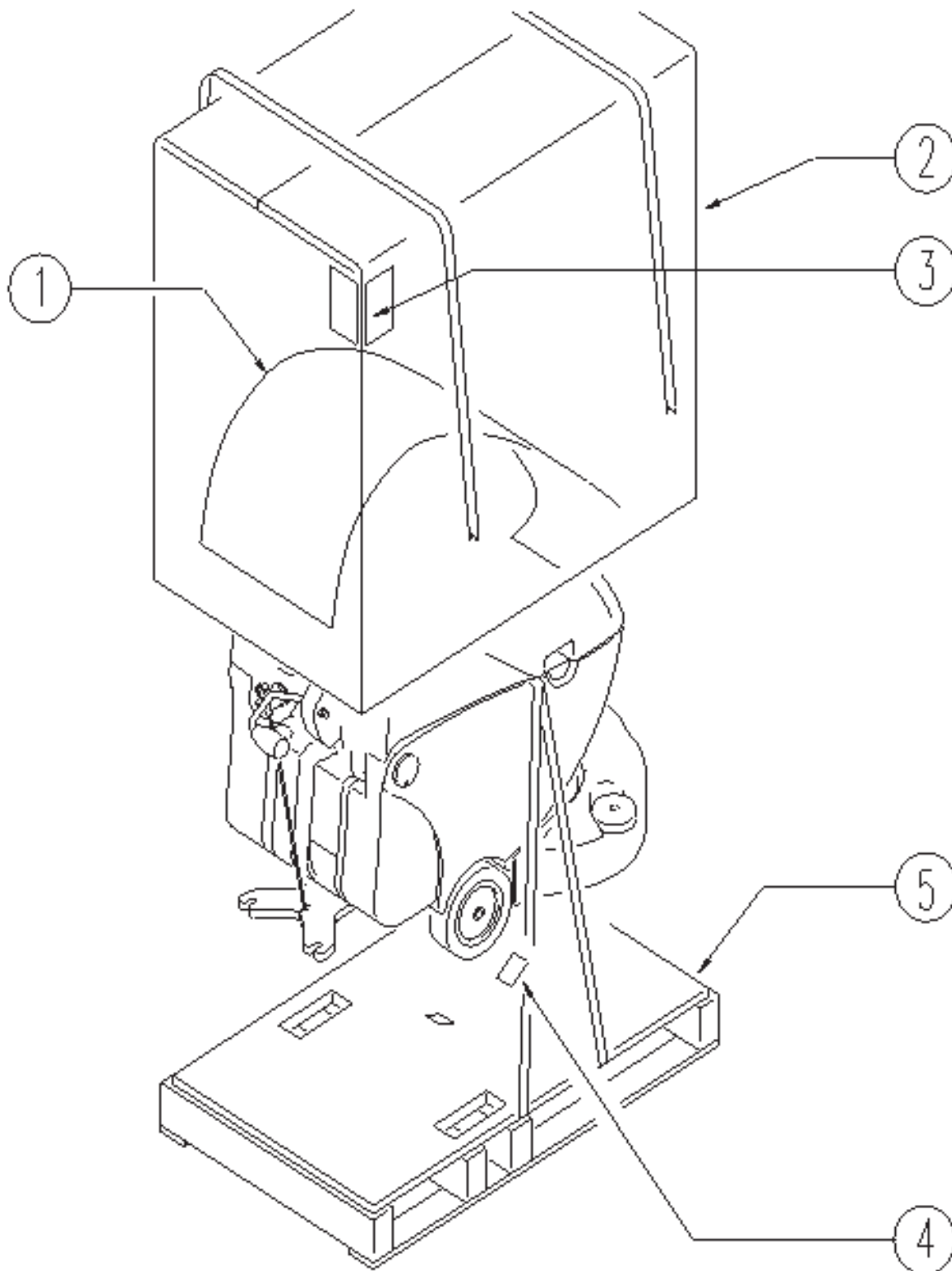


# HURRICANE 500 XTT

**AUTOMATIC SCRUBBER**

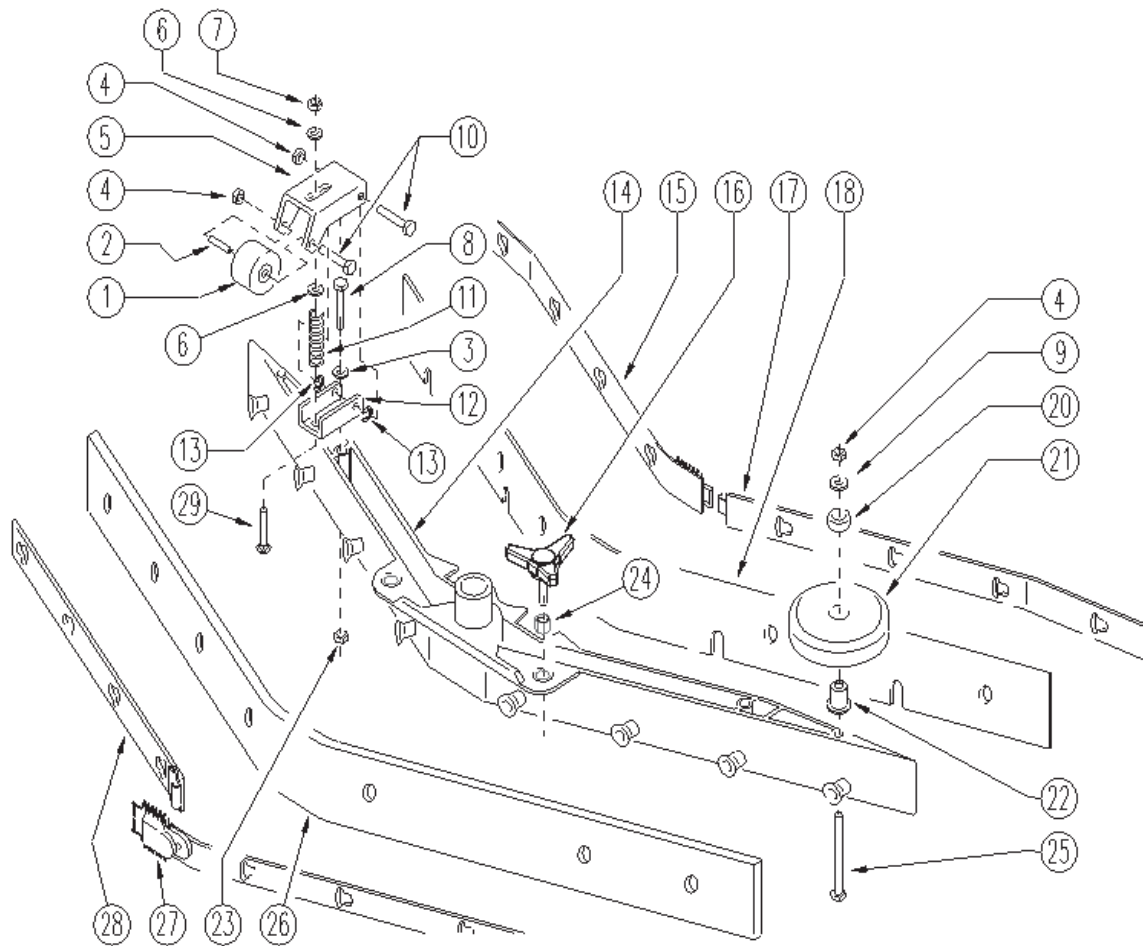
**Edition:** May, 2006  
**Code:** 19321

## Packing



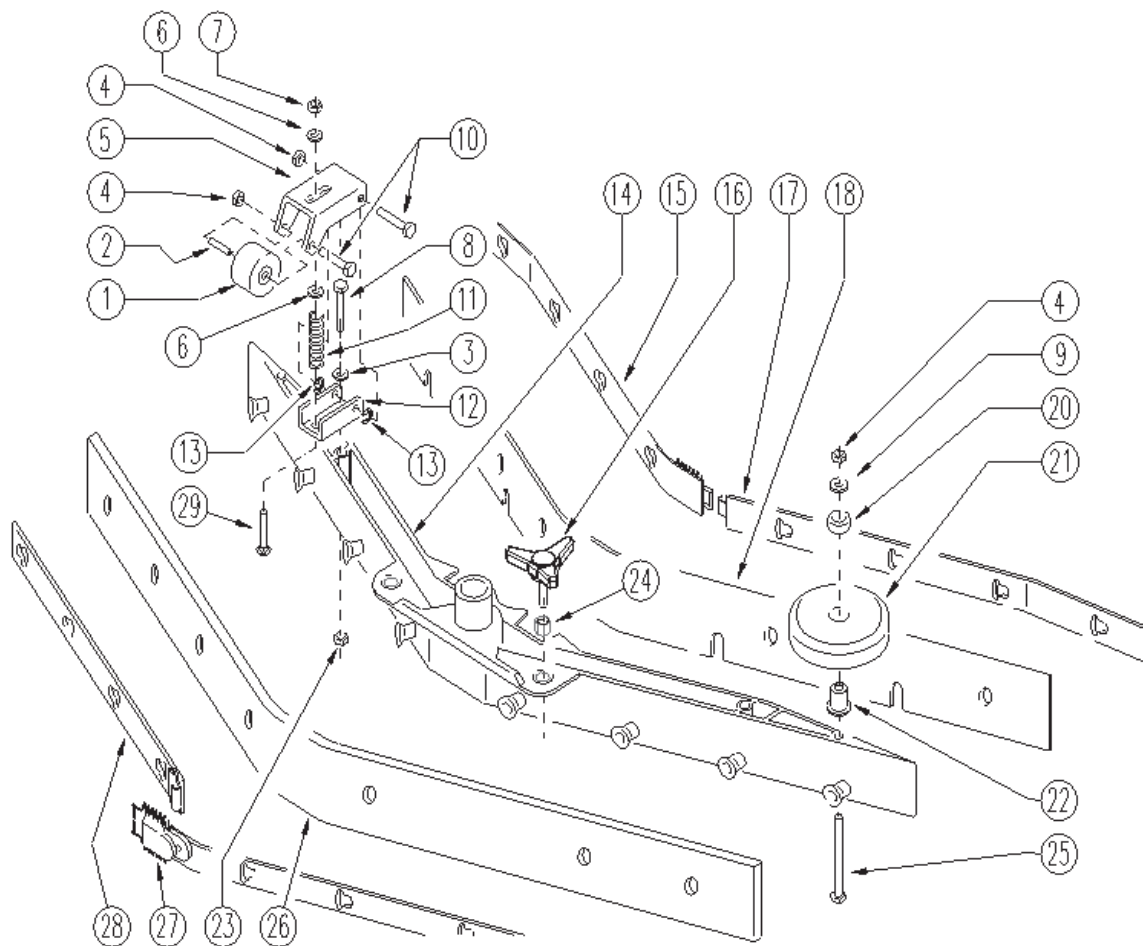
Ref.	Part N.	Description	Quantity	Validity From	Validity To
1	MISC00006	SACK 1690X1400 POLIET.70MY	1	10/2002	
2	MICT00145	CARTON IMBALLO NEUTRO	1	10/2002	
3	ETET00959	LABEL IMBALLAGGIO	2		
4	MICT00118	CARTON PER RUOTE 450/530	4	10/2002	
5	MIBA00074	PALLET	1	10/2002	

# Squeegee



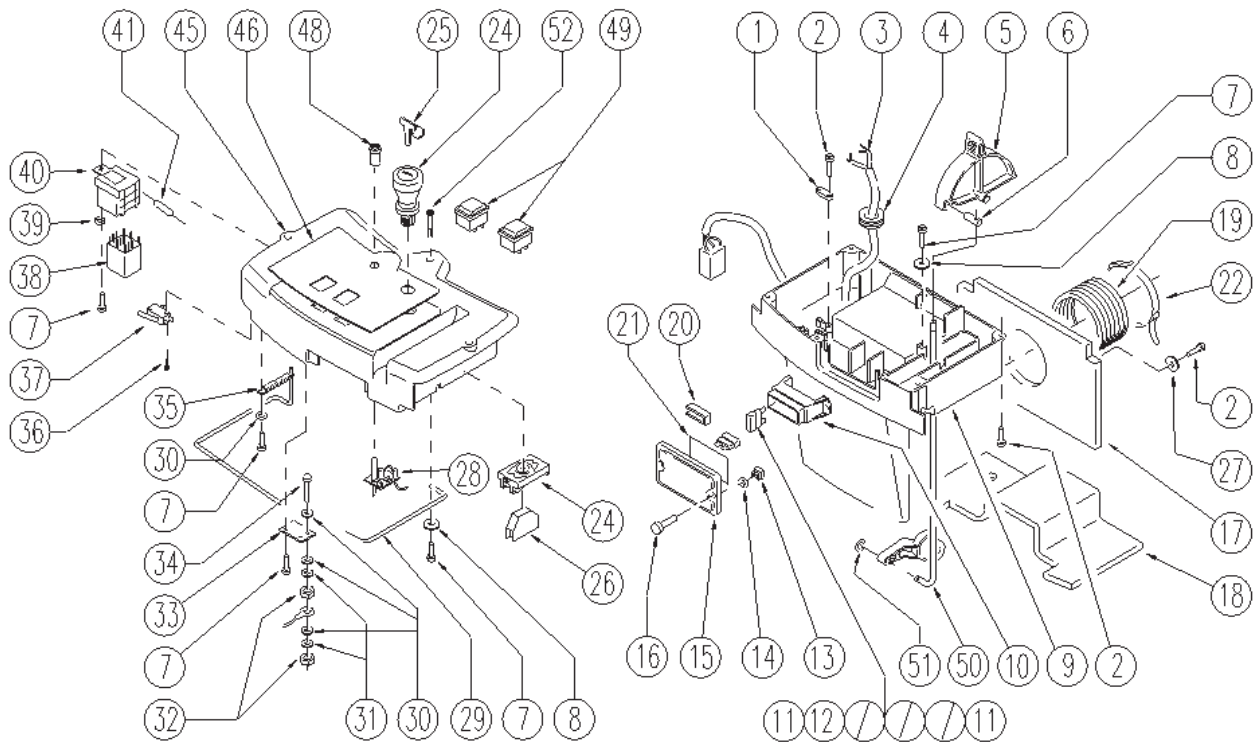
Ref.	Part N.	Description	Quantity	Validity From	Validity To
1	RTRT49413	WHEEL D. 60-D.15 X36 NYL.	2	03/2004	
2	LAFN04041	SPACER D6/15	2	03/2004	
3	VTRS00245	WASHER D.6 UNI 6592 INOX	12	03/2004	05/2006
3	VTRS15144	WASHER D. 6 INX GRW UNI 1751	4	05/2006	
4	VTDD01694	NUT M 6 INX	4	03/2004	
5	LAFN05559	SUPPORT RUOTINO	2	03/2004	
6	VTRS13947	WASHER D. 8 INX UNI 6592	4	03/2004	
7	VTDD01695	NUT M 8 INX	2		
8	VTVT15142	SCREW TE M 6x45 INOX	2	03/2004	
10	VTVT15143	SCREW TE 6X16 UNI5739	4	03/2004	05/2006
10	VTVT15515	SCREW TE M 6X 50 INOX A2	4	05/2006	
11	MLML49422	SPRING D.15X 45 X1	2		
12	LAFN51069	BRACKET SUPP.RUOTINO SQUEEGEE	2		
13	VTAE45707	CIRCLIP D. 6 UNI 7434 INOX	4		
14	MFVR00141	BODY SQUEEGEE PRESSOFUSO "S"	1	03/2004	
15	LAFN51045	LAMINATION BLOCCA LAMA ANTER.SX S	1	03/2004	
16	MPVR04164	HANDWHEEL M8 FILETTO PASSANTE	2	03/2004	06/2007
16	MPVR05265	KNOB 8X25	2	06/2007	
17	LAFN51044	LAMINATION BLOCCA LAMA ANTER.DX S	1	03/2004	
18	MPVR45194	RUBBER BLADE LAV. 800 ANT.	1	03/2004	
19	VTVT00655	SCREW TE M. 6-55	2		

# Squeegee



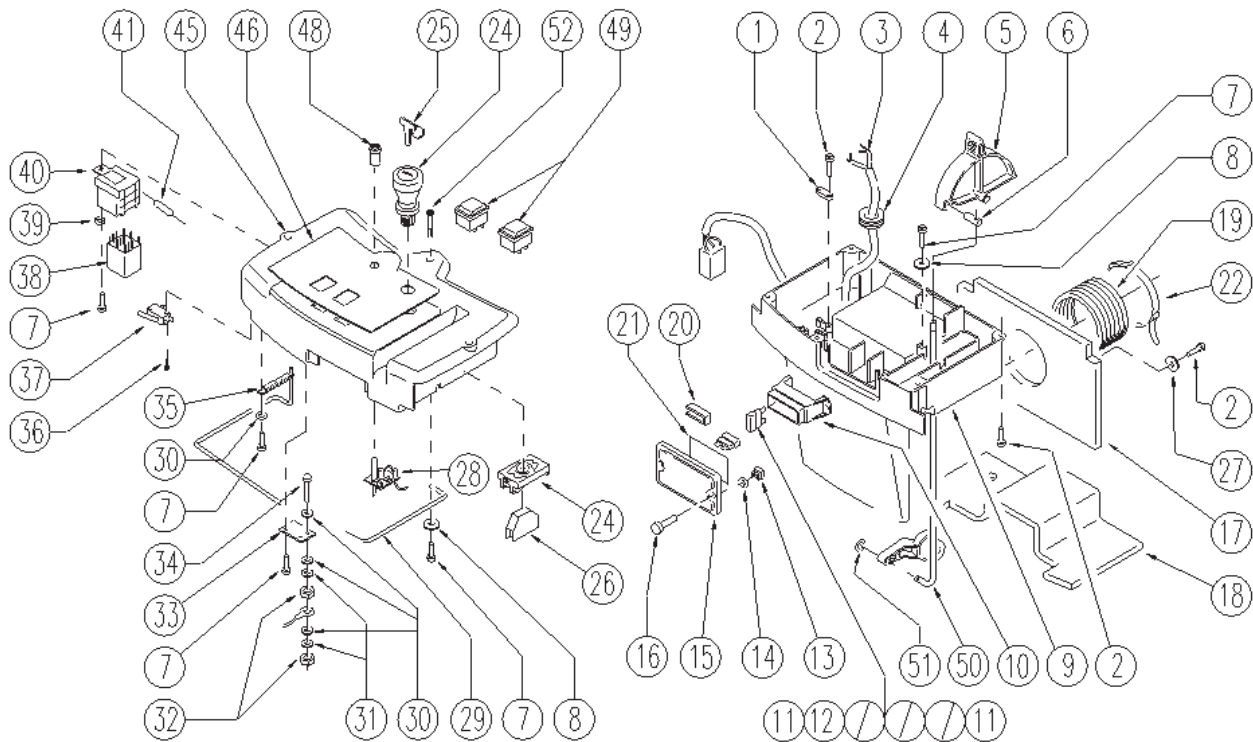
20	MPVR49229	BUSHING SHK	2	03/2004	
21	RTRT43370	CASTER D.100 2V.	2	03/2004	
22	LAFN04100	SPACER PER RUOTINO PARACOLPI	2	03/2004	
23	VTDD15520	NUT M 6 A2 UNI 5588 INX	4	03/2004	
24	VTAE00074	CIRCLIP D8	2	03/2004	06/2007
24	VTVR00022	INSERT FILETTATO ESAGONALE M8	2	06/2007	
25	VTVT01050	SCREW TE M 8X30 INX UNI 5737	2	06/2004	06/2007
26	MPVR45195	RUBBER BLADE LAV. 800 PST.POL.	1	03/2004	
27	LAFN49284	BLADE HOLDER POSTERIORE DX (S)	1	03/2004	
28	LAFN49285	BLADE HOLDER POSTERIORE SX (S)	1	03/2004	
29	VTVT01304	SCREW M 8X 40 TTQST UNI 5731	2	05/2006	

## Control Board



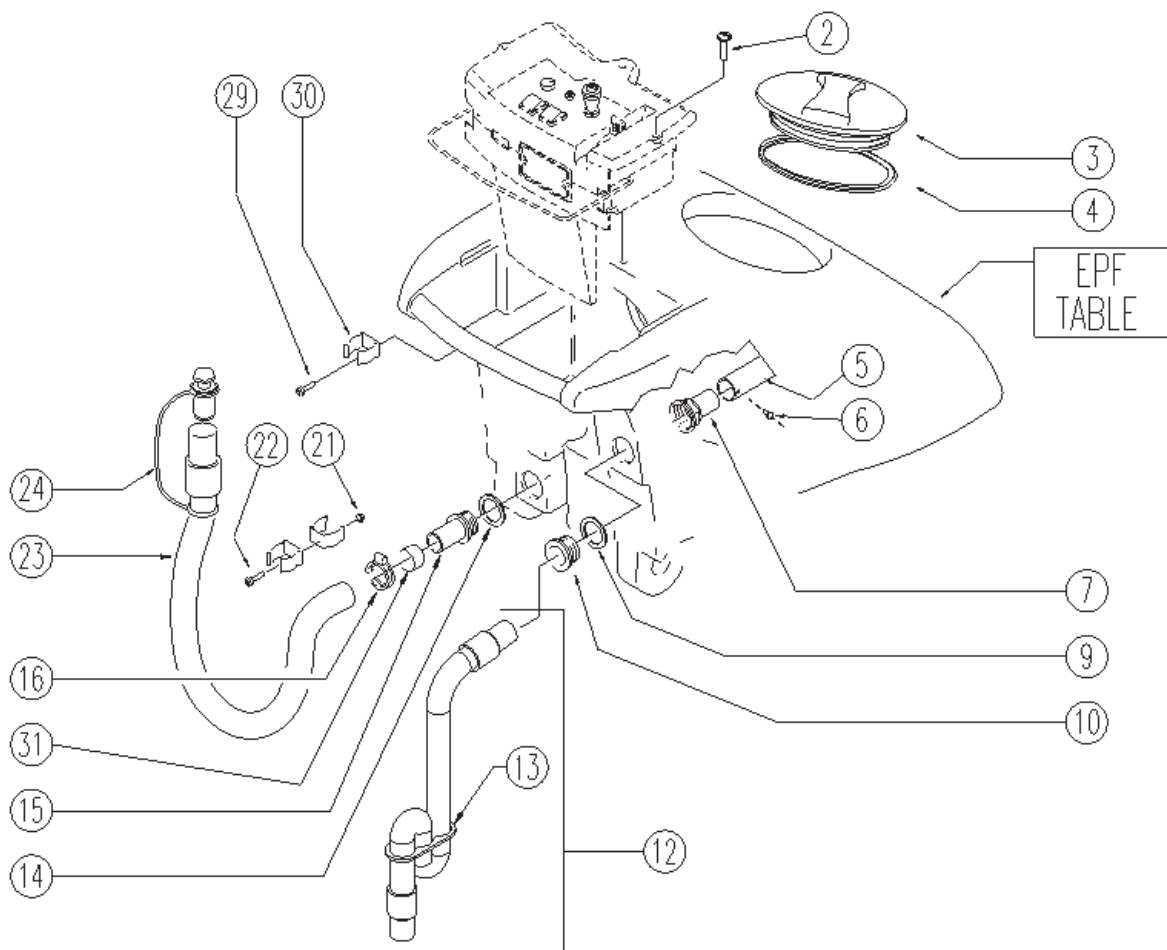
Ref.	Part N.	Description	Quantity	Validity From	Validity To
1	LAFN05201	CABLE CLAMPING BLOCCACAVO	1	09/2004	
2	VTVT28553	SCREW TCB-TC 3.5X16	8	09/2004	
3	MECB00732	WIRING PANNELLO	1		
4	MEVR01331	FAIR-LEAD PVC	1	09/2004	
5	MPVR03845	LEVER REGOLAZ.	1	09/2004	
6	LAFN05103	ARTICULATION SUPERIORE	1	09/2004	
7	VTVT07859	SCREW TCB-TC 3.5X13 UNI6954	6	09/2004	
8	VTRS13750	WASHER D. 5X14 INX	2	09/2004	
9	MPVR03844	PANEL COMANDI	1		
10	MEVR01386	FUSE CARRIER LAMA 6 POSTI	1		
11	MEVR01136	FUSE 30A	3	09/2004	
12	MEVR01380	FUSE A LAMA	2	09/2004	
13	VTDD00167	NUT M.6	2	09/2004	
14	GUGO00150	NUT	2	09/2004	
15	MPVR35628	COVER LAV.	1	09/2004	
16	VTVT00858	SCREW	2	09/2004	
17	ITSO00031	SOUND-PROOFING PARETE POST. PANN. COM.SK	1	09/2004	
18	ITSO00032	SOUND-PROOFING PARETE INFER.PANN. COM.SK	1	09/2004	
19	TBBP00225	TUBE D 80-320 MM	1		
20	MEVR01153	FUSE FUSIBILI	1	09/2004	
21	ETET01352	LABEL FUSIBILI	1	09/2004	
22	FSVR00083	CLAMP 62-82	1		

## Control Board



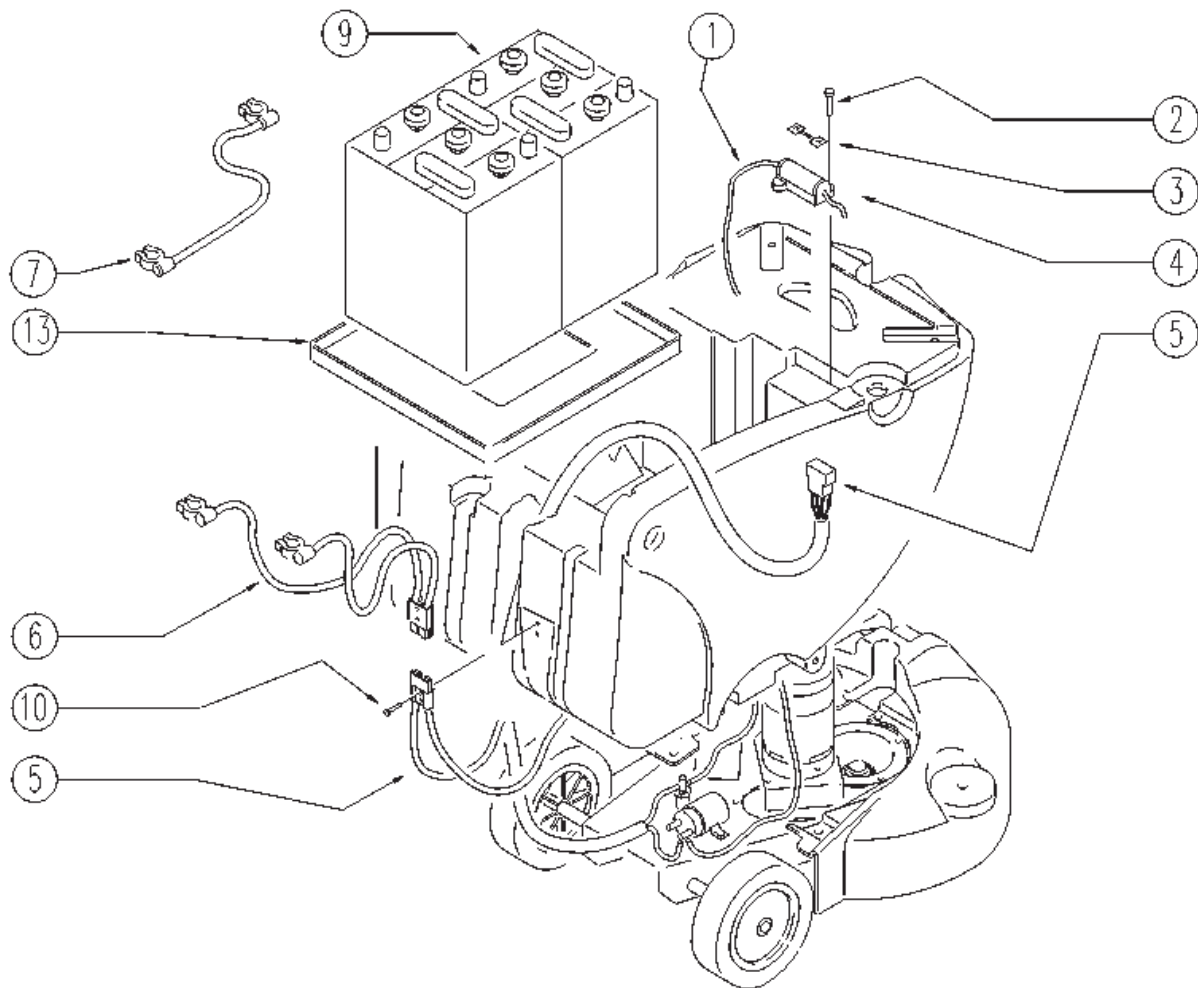
24	MECI00323	BUTTON FUNGO	1	
25	CHVR00051	DIASASS.SPANNERPULSANTE FUNGO	1	
26	MECI00403	CONTACT -	2	
27	VTRS00291	WASHER D. 5 X20 ZC UNI 6593	2	09/2004
28	MECE30652	PCB LAV.FL.	1	09/2004
29	LAFN05089	LEVER CONSENSO SPAZZOLE/TRAZ.	1	09/2004
30	VTRS00516	WASHER D. 5 INX	5	09/2004
31	VTRS15908	WASHER D. 5 INX GRW UNI 1751	2	09/2004
32	VTDD07727	NUT M 5 INOX	2	09/2004
33	MPVR02820	SUPPORT PIASTRINA BLOCCO LEVA	1	09/2004
34	VTVT00766	SCREW TE M. 5-25	1	09/2004
35	MLML00215	SPRING LEVA CONSENSO SPAZZOLE	1	09/2004
36	VTVT00744	SCREW	2	09/2004
37	MECI00310	MICROSWITCH	1	09/2004
38	MERL45196	SWITCH RELAY F7 IN/O 12V 70A	1	09/2004
39	VTRS00501	WASHER D. 4 0.232 UNI 6592	1	09/2004
40	METT00053	BLOCK PORTA RELE'	1	09/2004
41	MECE00341	RESISTANCE 68R	1	09/2004
45	MPVR03840	PANEL COMANDI	1	09/2004
46	ETET01314	LABEL PANNELLO COMANDI	1	09/2004
48	MELF00013	OIL WARN-LIGHT x SPIA SCARICA BATTERIE	1	09/2004
49	MECI30651	SWITCH GIALLO 36V	2	09/2004
50	LAFN05758	ROD SUPERIORE RUBINETTO	1	
51	VTAE00058	CIRCLIP RADIALE ALBERI D5 INOX	1	
52	MPVR02940	KLIP D. 6,5 L=15	1	

# Tank



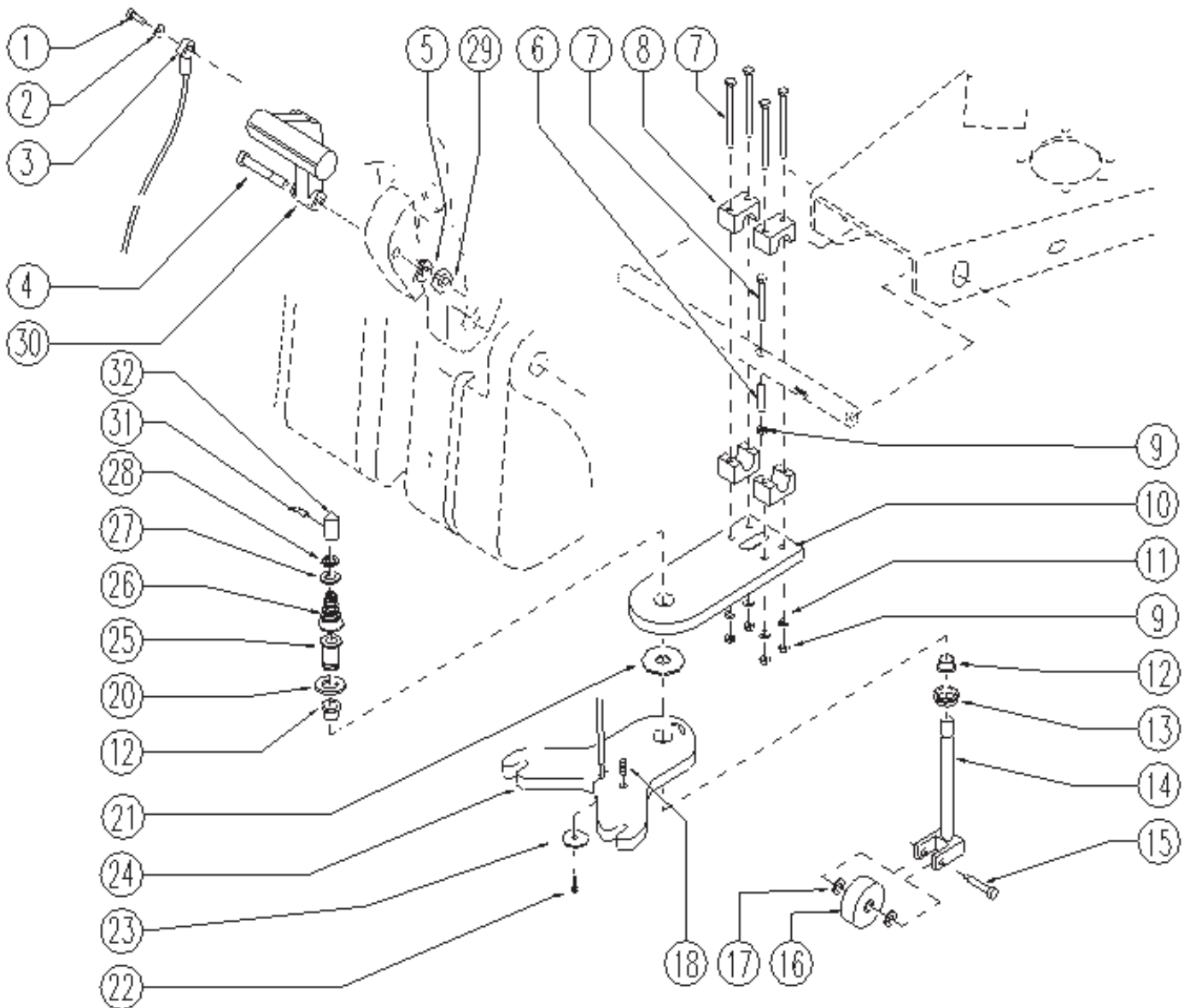
Ref.	Part N.	Description	Quantity	Validity From	Validity To
2	VTVT00858	SCREW	2		
3	MPVR04051	TANK CAP	1		
4	GUGO00263	GASKET CIRCOLARE TAPPO	1		
5	MPVR02873	TUBE INT.SERBAT.RECUP.	1		
6	VTVT00881	SCREW TC+ M4x6 TRILOBATA INOX	1		
7	RCVR00504	CONNECTOR DRITTO FEMM.	1		
9	GUGO00216	GASKET ACQUA SPORCA	1		
10	RCVR00508	PIPE UNION DI SCARICO	1		
12	PMVR01043	TUBE ASPIRAZIONE	1		
13	MPVR02730	PLATE SIFONE	1		
14	GUGO00226	GASKET 1"1/4	1		
15	RCVR00505	CONNECTOR DRITTO	1		
16	FSVR43136	CLAMP D. 35-40 DF.	1		
21	VTDD00147	NUT M 4 INX U.5588	2		
22	VTVT21096	SCREW TE M 4X 10 INX	2		
23	TBFX49465	TUBE FLEX D.34 CPL.SHK SC.	1		
24	MPVR05064	CAP COMPLETO	1		
29	VTVT48694	SCREW TCB TC 5 X12 UNI 9707 TZ	2		
30	MPVR46988	CLIP LAV. SHK	3		
31	MPVR02765	PROTECTION INNESTO FISSAGGIO	1		

## Wiring



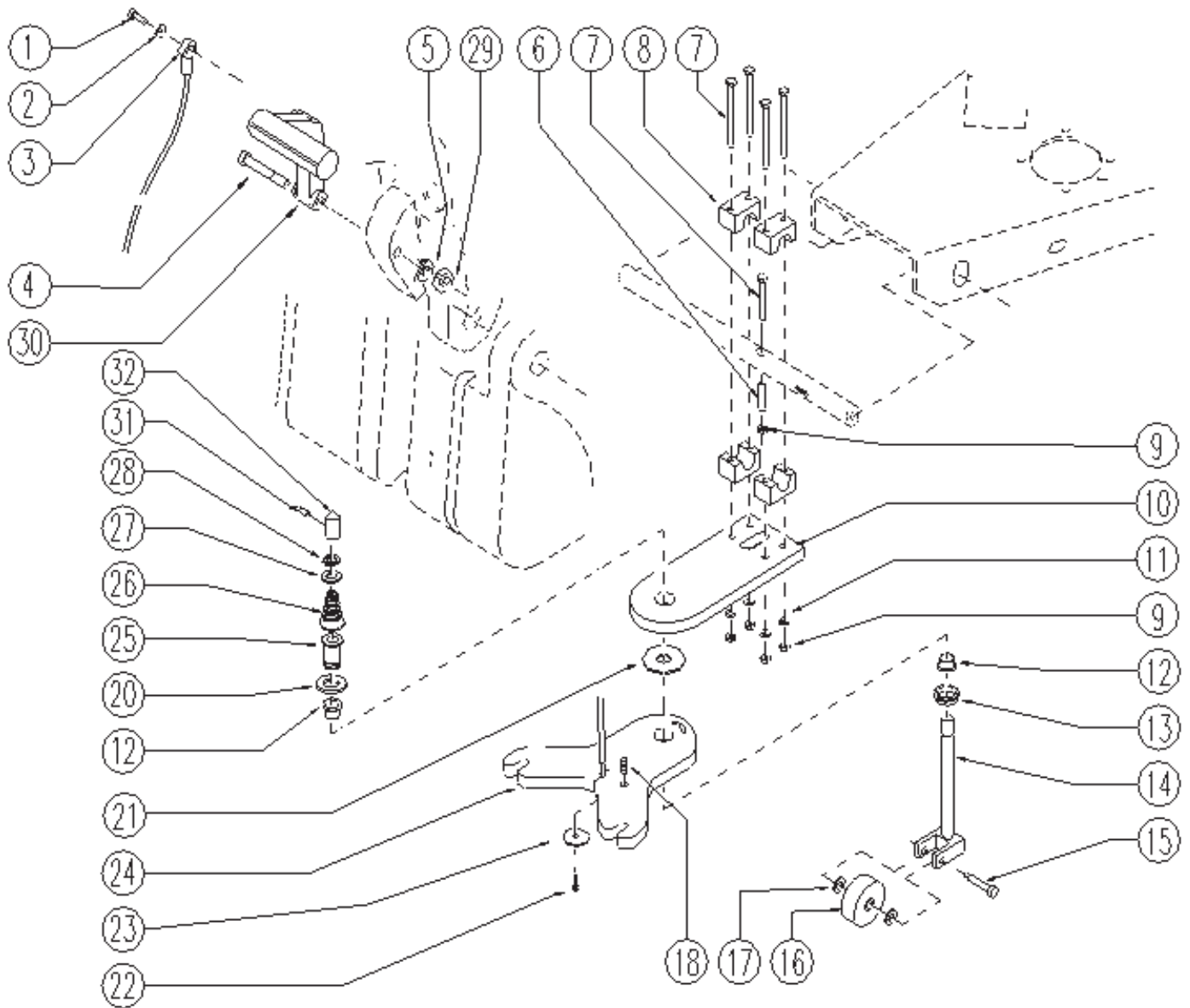
Ref.	Part N.	Description	Quantity	Validity From	Validity To
1	MECB00728	WIRING FUSIBILE	1	10/2002	
2	VTVT00800	SCREW TC 4X12 ZN	2	10/2002	
3	MEVR42990	FUSE 60A NST.	1	10/2002	
4	MEVR01332	FUSE-HOLDER	1	10/2002	
5	MECB00727	WIRING PRINCIPALE	1	10/2002	
6	MECB00726	WIRING BATTERIE	1	10/2002	
7	MEVR34820	WIRING B 450 BT	1	10/2002	
9	BAAC00070	BATTERY TUBOL.12V 118	2		
10	VTVT00633	SCREW M 3X 20 TCB-TC BK.U.7687	2	10/2002	
13	PMVR00881	PLATE	1	10/2002	
1	MECB00728	WIRING FUSIBILE	1	10/2002	
2	VTVT00800	SCREW TC 4X12 ZN	2	10/2002	
3	MEVR42990	FUSE 60A NST.	1	10/2002	
4	MEVR01332	FUSE-HOLDER	1	10/2002	
5	MECB00727	WIRING PRINCIPALE	1	10/2002	
6	MECB00726	WIRING BATTERIE	1	10/2002	
7	MEVR34820	WIRING B 450 BT	1	10/2002	
9	BAAC00070	BATTERY TUBOL.12V 118	2		
10	VTVT00633	SCREW M 3X 20 TCB-TC BK.U.7687	2	10/2002	
13	PMVR00881	PLATE	1	10/2002	

## Frame



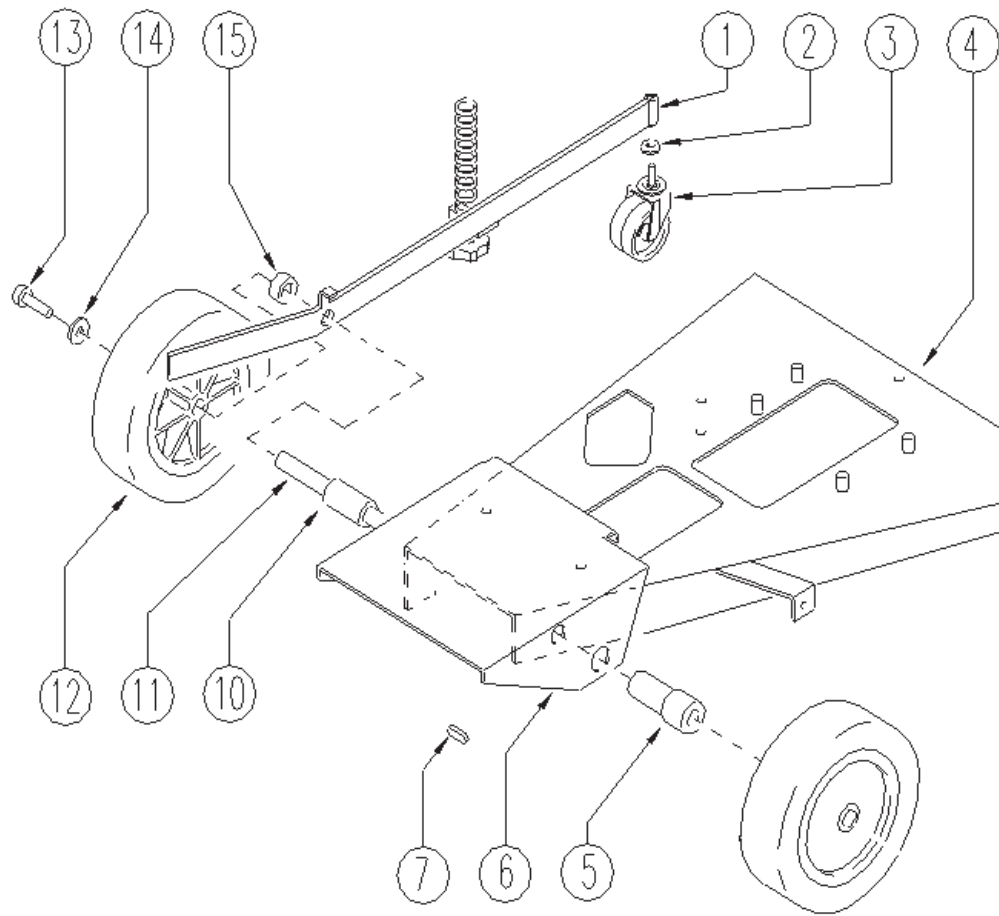
Ref.	Part N.	Description	Quantity	Validity From	Validity To
1	VTVT00800	SCREW TC 4X12 ZN	1	10/2002	
2	VTRS00251	WASHER 4-16 INOX A2	1	10/2002	
3	CMCV00307	CABLE SOLLEVAMENTO SQUEEGEE	1	04/2004	
4	VTVT00882	SCREW TCEI BASSA M10x80 8.8 ZN	1	10/2002	
5	VTRS00236	WASHER D.10 UNI 6592 ZINC. PIANA	1	10/2002	
6	LAFN31096	WHEEL SPACER FL	1	10/2002	
7	VTVT00859	SCREW TCEI M. 6-55 INOX	5	10/2002	
8	MPVR02903	HOSE COLLAR DI= 20.8 ART.C4	4	10/2002	
9	VTDD00157	NUT M. 6 DIN 985 ZN	5	10/2002	
10	LAFN05557	SUPPORT SQUEEGEE	1	10/2002	
11	VTRS00231	WASHER D. 6 UNI 6592 PIANA ZINC.	4	10/2002	
12	CUVR44348	BUSHING CB 85 2010 31T	2	10/2002	
13	LAFN06820	RING NUT M20X1 ABL	1	07/2004	
14	LAFN05702	SUPPORT RUOTINO ANTIRIBALTAMENTO	1	10/2002	
15	LAFN04165	PIN RUOTINO ANTIRIB. INOX	1	04/2003	

## Frame



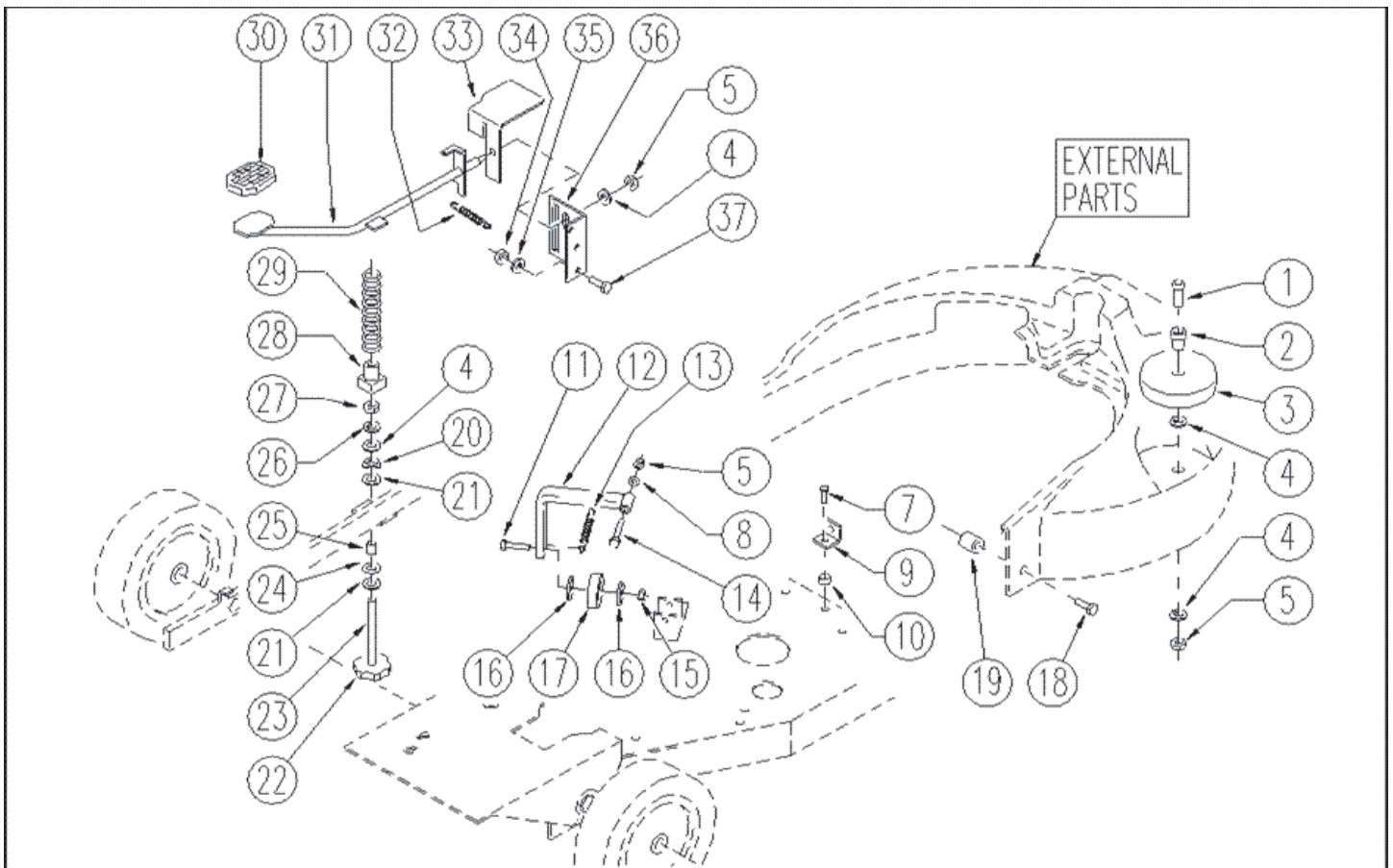
16	RTRT00283	SMALL WHEEL GR.HS	1	10/2002
17	VTRS13946	WASHER D. 8 X24 INX UNI 6593	2	10/2002
18	VTVT01200	GRUB SCREW M8 X 16 INOX	1	04/2004
20	VTRS00019	WASHER UNI 6592 FORO 20 INOX	1	03/2004
21	VTRS00308	WASHER NYLON 21x50xSP3 MM	1	05/2004
22	VTVT00813	SCREW M 4X 8 TCB-TC UNI 8112	1	10/2002
23	VTRS00291	WASHER D. 5 X20 ZC UNI 6593	1	10/2002
24	LAFN05544	PLATE SQUEEGEE	1	10/2002
25	LAFN44530	PIN SHK SQ.	1	10/2002
26	MLML44531	SPRING D.16 -33 X50 RT.	1	10/2002
27	VTRS00312	WASHER D.13 x24 INOX	1	10/2002
28	VTAE00051	CIRCLIP X ALBERO D. 12 U7435 INX	1	10/2002
29	VTDD00042	NUT AUT.M10 UNI7474	1	10/2002
30	MPVR49942	LEVER SHK PP	1	10/2002
31	VTVT00906	GRUB SCREW M 4-4	1	04/2004
32	LAFN04069	EXTENSION	1	04/2004

## Frame



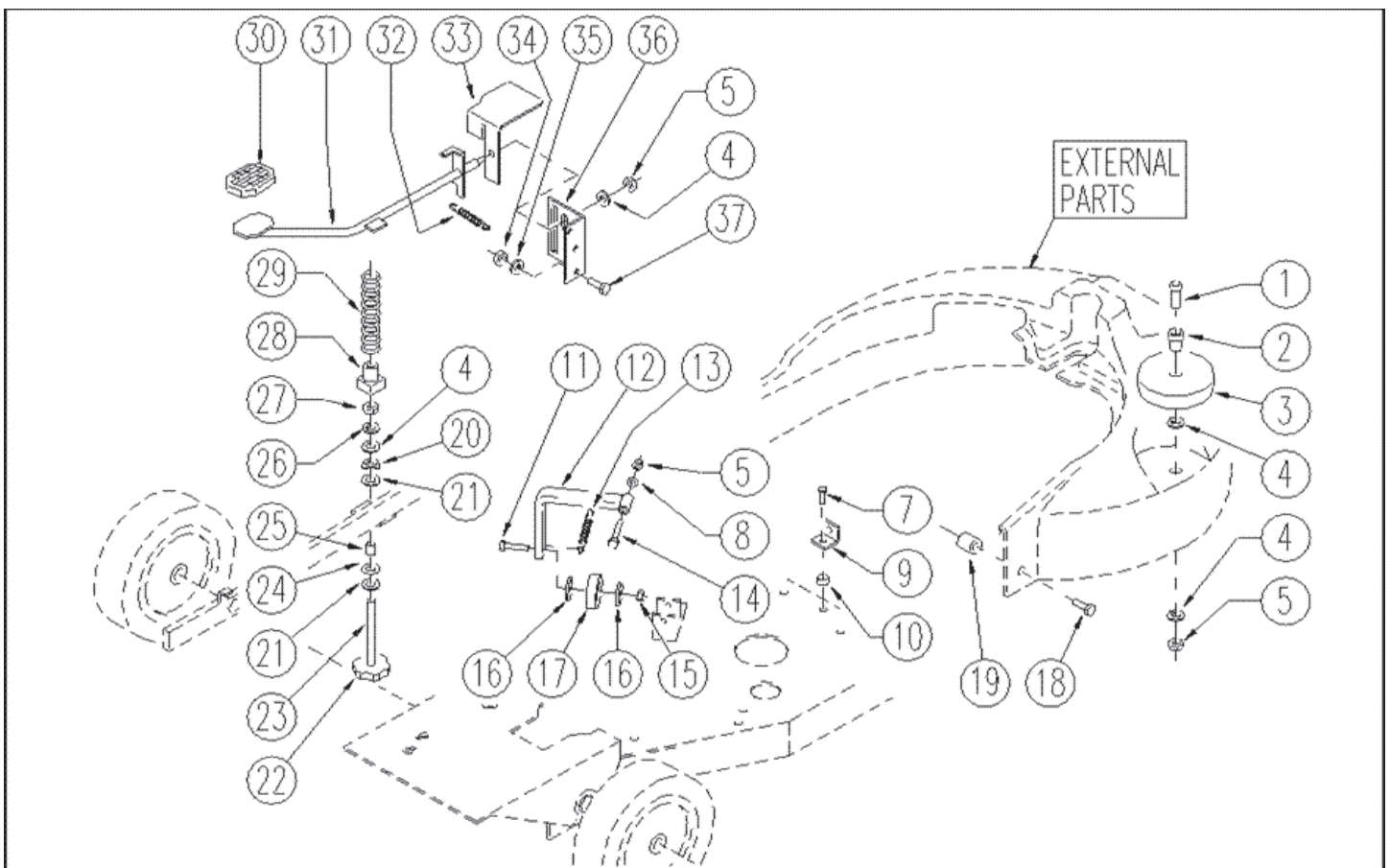
Ref.	Part N.	Description	Quantity	Validity From	Validity To
1	LAFN05922	LEVER RUOTINO	1	Nov-03	
2	VTRS00232	WASHER D.12 UNI 6592 ZINC.	1	Oct-02	
3	RTRT00306	WHEEL D175 D2 060 M12x30	1	Mar-04	
4	LAFN05918	BASE 5 (SENZA TRAZIONE)	1	Nov-03	
5	MPVR02892	BUSHING RUOTA DX ALLUNGATA	1	Oct-02	
6	LAFN05188	SUPPORT BRACKET SERBATOIO ++SL39098	1	Oct-02	
7	VTVR26559	KEY 5X5X15	1	Oct-02	
10	MPVR02880	BUSHING PLASTICA	1	Oct-02	
11	LAFN04095	SHAFT ASSE RUOTE ALLUNGATO	1	Oct-02	
12	RTRT47147	WHEEL D.200 A.TRC.	2	Oct-02	
13	VTVT00666	SCREW TBEI M. 8-10 INOX	2	Oct-02	
14	VTRS13946	WASHER D. 8 X24 INX UNI 6593	2	Oct-02	
15	LAFN04096	SPACER ALLUNGATO	1	Oct-02	

## Head



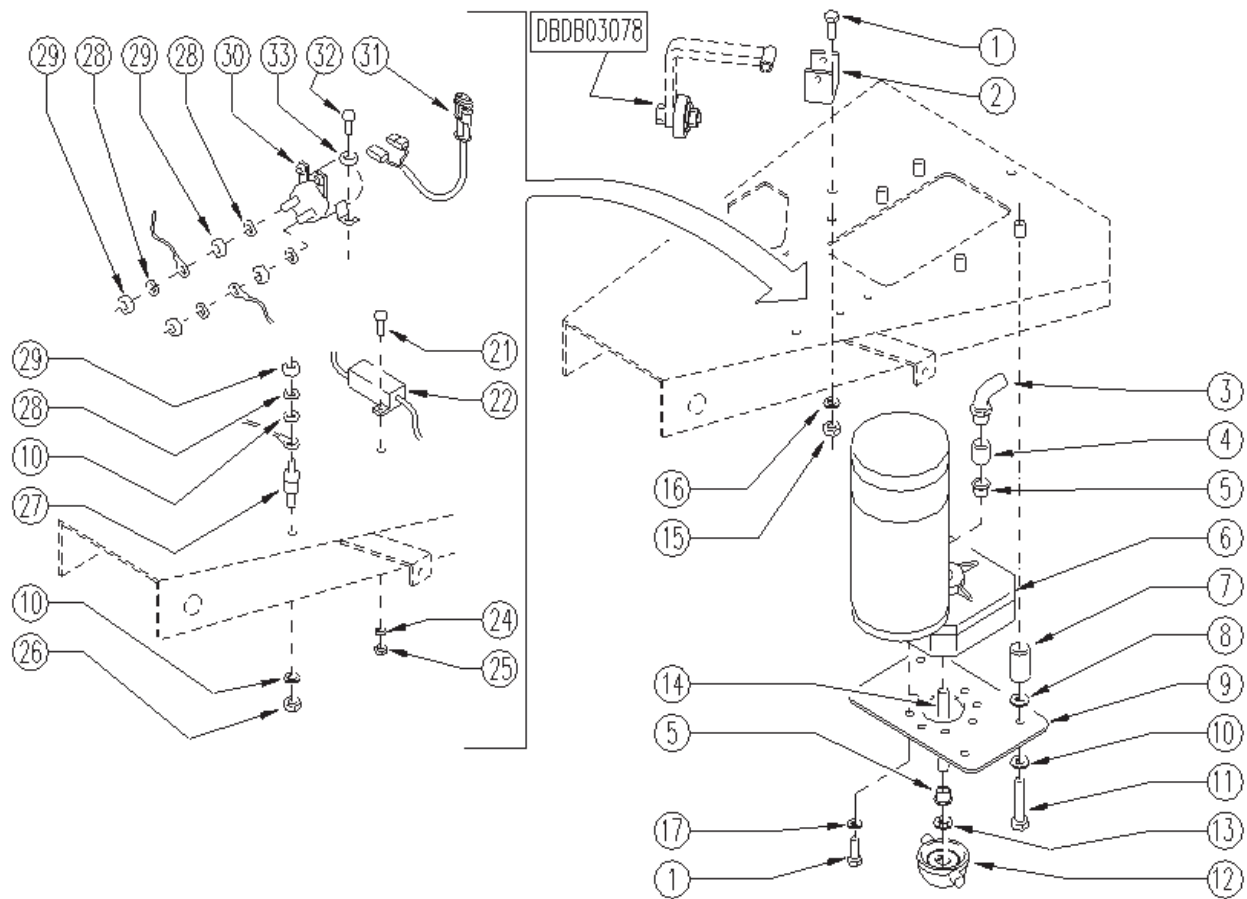
Ref.	Part N.	Description	Quantity	Validity From	Validity To
1	VTVT00775	SCREW TCEI M 8X40 ZC.BK UNI5931	1	10/2002	
2	LAFN03915	BUSHING NUOVO RUOTINO STRONG	1	10/2002	
3	RTRT43370	CASTER D.100 2V.	1	10/2002	
4	VTRS13946	WASHER D. 8 X24 INX UNI 6593	4	10/2002	
5	VTDD01695	NUT M 8 INX	3	10/2002	
7	VTVT63035	SCREW TCEI M8X25 BRUNITA	1	03/2004	
8	VTRS13947	WASHER D. 8 INX UNI 6592	1	10/2002	
9	LAFN05185	SMALL SQUARE FISSAGGIO MOLLA TESTATA	1	10/2002	
10	RCDS34717	BUSHING D. 9X12X 8.3	1		
11	VTVT00836	SCREW TE M12-60 INOX	1	10/2002	
12	LAFN05620	LEVER ARM RUOTINO ALTO	1	10/2002	
13	MLML00152	SPRING F.1.5-D.16-L.50 TRA	1	10/2002	
14	VTVT15917	SCREW TE M 8X50 INOX A2 UNI	1	02/2003	
15	VTDD00131	NUT M.12 AUT. DIN 982 ZINC	1	10/2002	
16	VTRS00273	WASHER D.13-24-2,5 Z. NERA	2	10/2002	
17	RTRT49171	CASTER D. 80-12	1	10/2002	
18	VTVT00890	SCREW TC+ M.4-40	2		
19	LAFN35608	SPACER S. BLOCK BT 530	2		

## Head



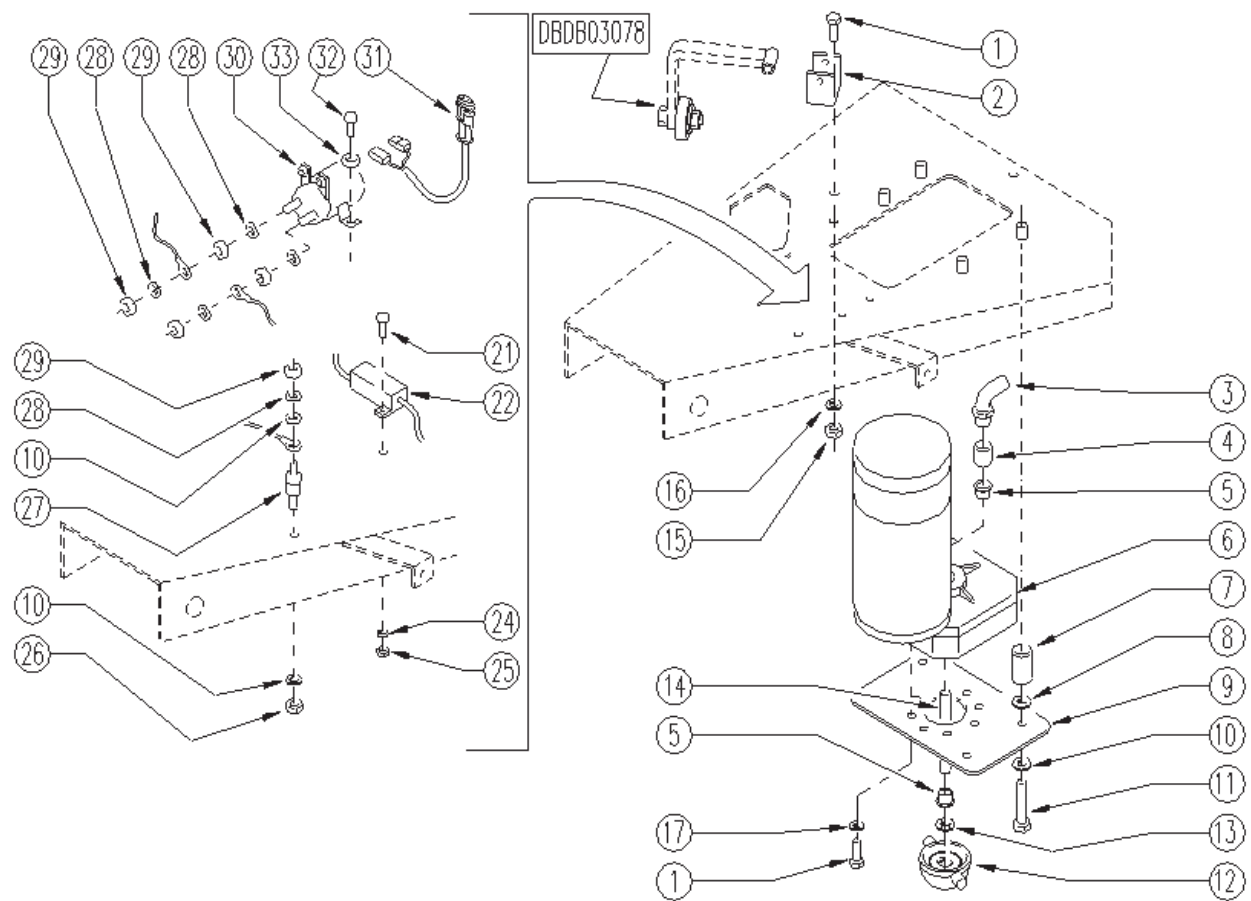
20	VTRS88000	WASHER ELAST.ONDUL.DI 13	1	12/2003
21	VTRS00232	WASHER D.12 UNI 6592 ZINC.	2	12/2003
22	LAGR00017	WASHER ZIGRINATA M.8	1	03/2004
23	VTVR00297	BAR FILETTATA M.8	1	03/2004
24	VTRS00255	WASHER D. 12-18-0,5	1	03/2004
25	RCDS31040	BUSHING D. 8X 12X13	1	12/2003
26	VTRS01080	WASHER D. 8 GRW	1	12/2003
27	VTDD15521	NUT M 8 INX A2 UNI 5588	1	12/2003
28	LAFN04193	BUSHING MOLLA	1	12/2003
29	MLML00249	SPRING A COMPRESS. RIF.D13250	1	12/2003
30	MPVR04139	RUBBER PEDALINO	1	10/2002
31	LAFN05688	ROD COMANDO RUOTINO	1	10/2002
32	MLML00201	SPRING TRAZ.PER GIUNTO	1	10/2002
33	LAFN05530	LEVER SOLLEVAMENTO	1	10/2002
34	VTDD00157	NUT M. 6 DIN 985 ZN	2	
35	VTRS00245	WASHER D.6 UNI 6592 INOX	2	10/2002
36	LAFN05689	BRACKET GUIDA	1	02/2004
37	VTVT15143	SCREW TE 6X16 UNI5739	2	

# Head



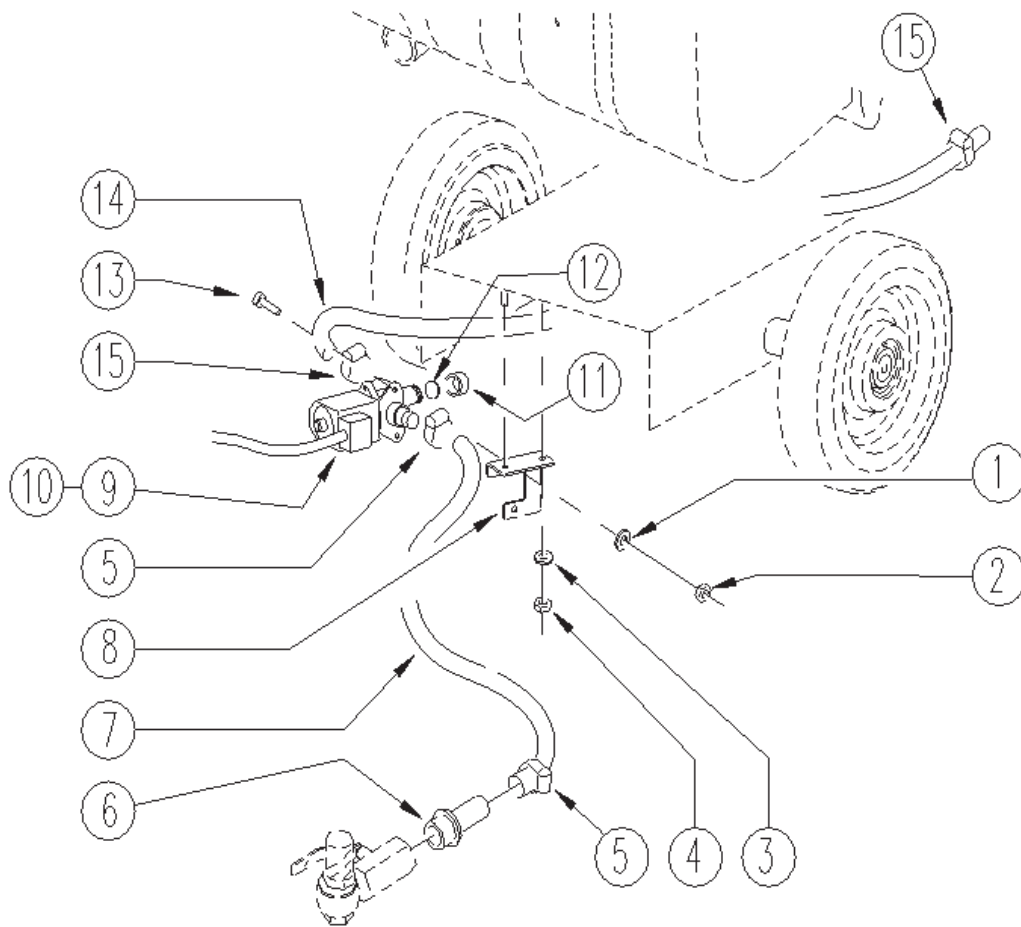
Ref.	Part N.	Description	Quantity	Validity From	Validity To
1	VTVT15906	SCREW TE 6X 12 A2 UNI 5739	10		
2	LAFN05622	SUPPORT BRACCETTO RUOTINO RIALZ.	1		
3	RCVR45752	HOSE FITTING "L" 3/8M - D.10 PLS.	1		
4	LAFN51028	BUSHING	1		
5	CUVR43254	BUSHING CB 85 1010 18T	2		
6	MOCC00256	MOTOR.GEARBOX MRP6 1/10	1		
7	LAFN04191	SPACER	4		
8	VTRS01080	WASHER D. 8 GRW	4		
9	LAFN05920	FLANGE RIDUTTORE	1		
10	VTRS13947	WASHER D. 8 INX UNI 6592	6		
11	VTVT00728	SCREW TE M. 8-55	4		
12	MFVR00134	DRIVE DISK SPAZZOLE	1		
13	MPVR02997	CLIP ANELLO X PERNO D10	4		
14	LAFN04202	TUBE SOLUZIONE INOX D10	1		
15	VTDD01694	NUT M 6 INX	2		
17	VTRS15144	WASHER D. 6 INX GRW UNI 1751	8		
20	VTDD15517	NUT M 5 INX	2		
21	VTVT00722	SCREW	2		
22	MECE00391	RESISTANCE CORAZZATA	1		
24	VTRS00268	WASHER D.3	2		

# Head



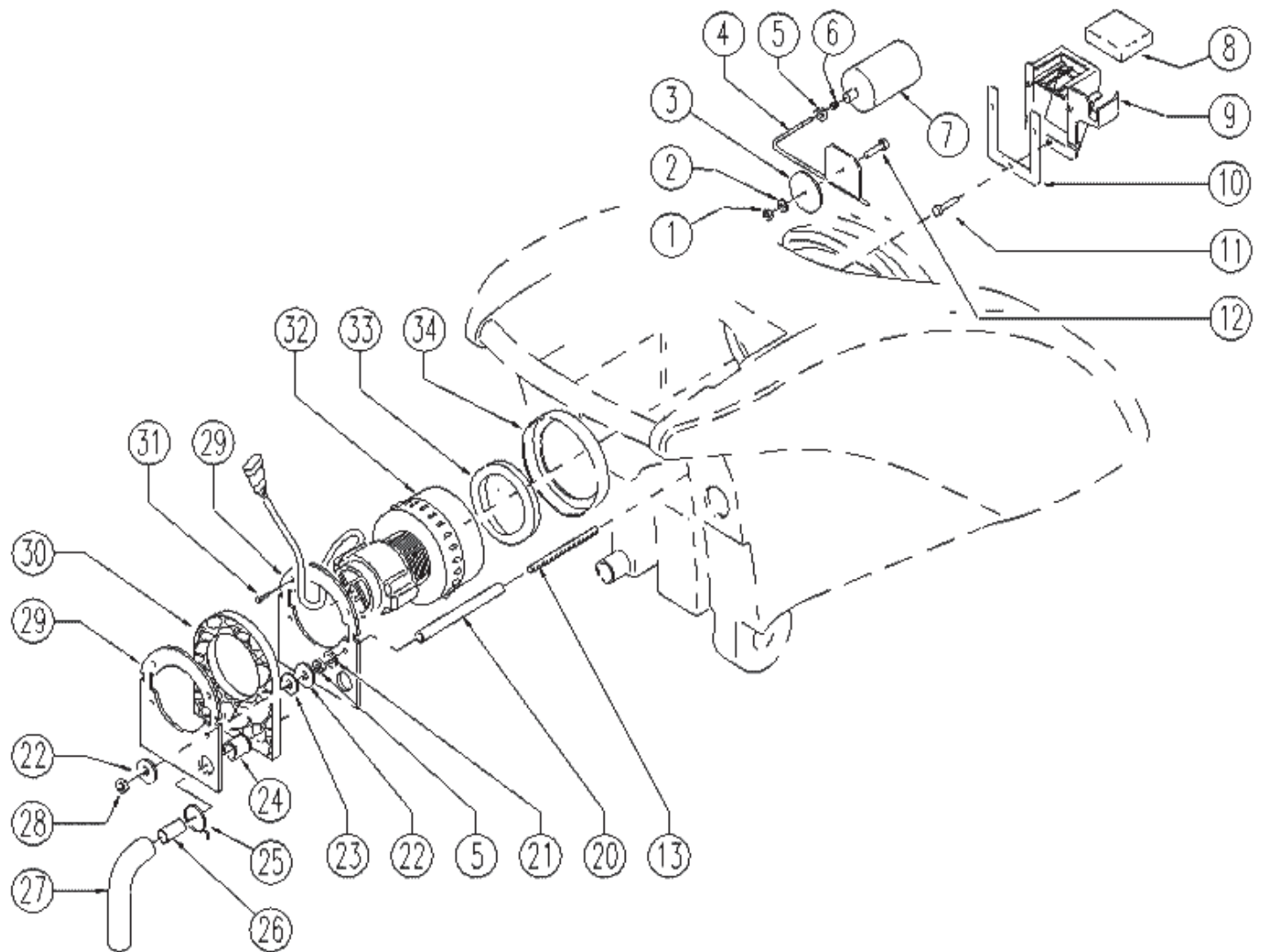
25	VTDD21115	NUT M 3 INOX	2
26	VTDD01695	NUT M 8 INX	1
27	MEVR01116	SUPPORT FUSIBILE 120 A	1
28	VTRS00229	WASHER D.8	1
29	VTDD10776	NUT M 8 X1 UNI 5588	1
30	METT00056	CONTACTOR T-106	1
32	VTVT21887	SCREW TCB-TC 4X10 8112	2
33	VTRS00515	WASHER D. 4 INX	2

## Solenoid Valve



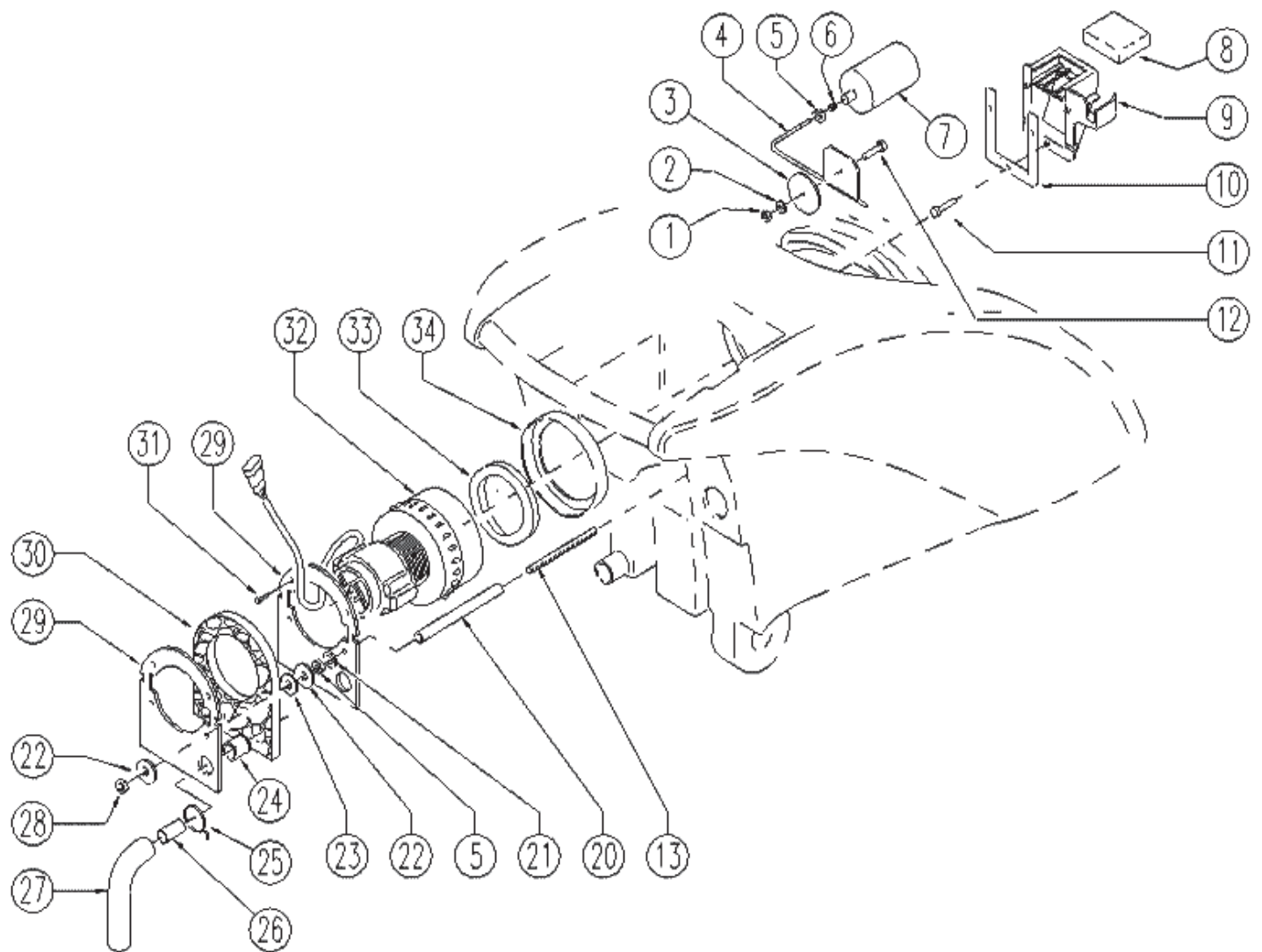
Ref.	Part N.	Description	Quantity	Validity From	Validity To
1	VTRS00515	WASHER D. 4 INX	2	12/2002	
2	VTDD15925	NUT M 4 INX	2		
3	VTRS00516	WASHER D. 5 INX	2	12/2002	
4	VTDD01693	NUT M 5 INX	2	12/2002	
5	FSVR00096	CLAMP 10-16 INOX	2	03/2003	
6	RCVR00536	CONNECTOR PORTAG.	1		
7	TBFX49101	TUBE FLEX D.34 CPL.SHK	1		
8	LAFN05658	BRACKET SUPPORTO ELETTROVALVOLA	1	12/2002	
9	MEEV00018	SOLENOID VALVE	1	12/2002	
10	MECB00887	WIRING KIT ELETTROVALVOLA 24V	1		
11	RCVR00353	CAP 1/2" G X ELETTROV. ACL	1	03/2003	
12	GUGO00268	GASKET D.21 SP.3 GOMMA	1	03/2003	
13	VTVT00817	SCREW TE M4x12 UNI 5739 INOX	2		
14	TBBP00344	TUBE D12/18 L=670	1		
15	FSVR00091	CLAMP 14-24	2		

## Vacuum Motor



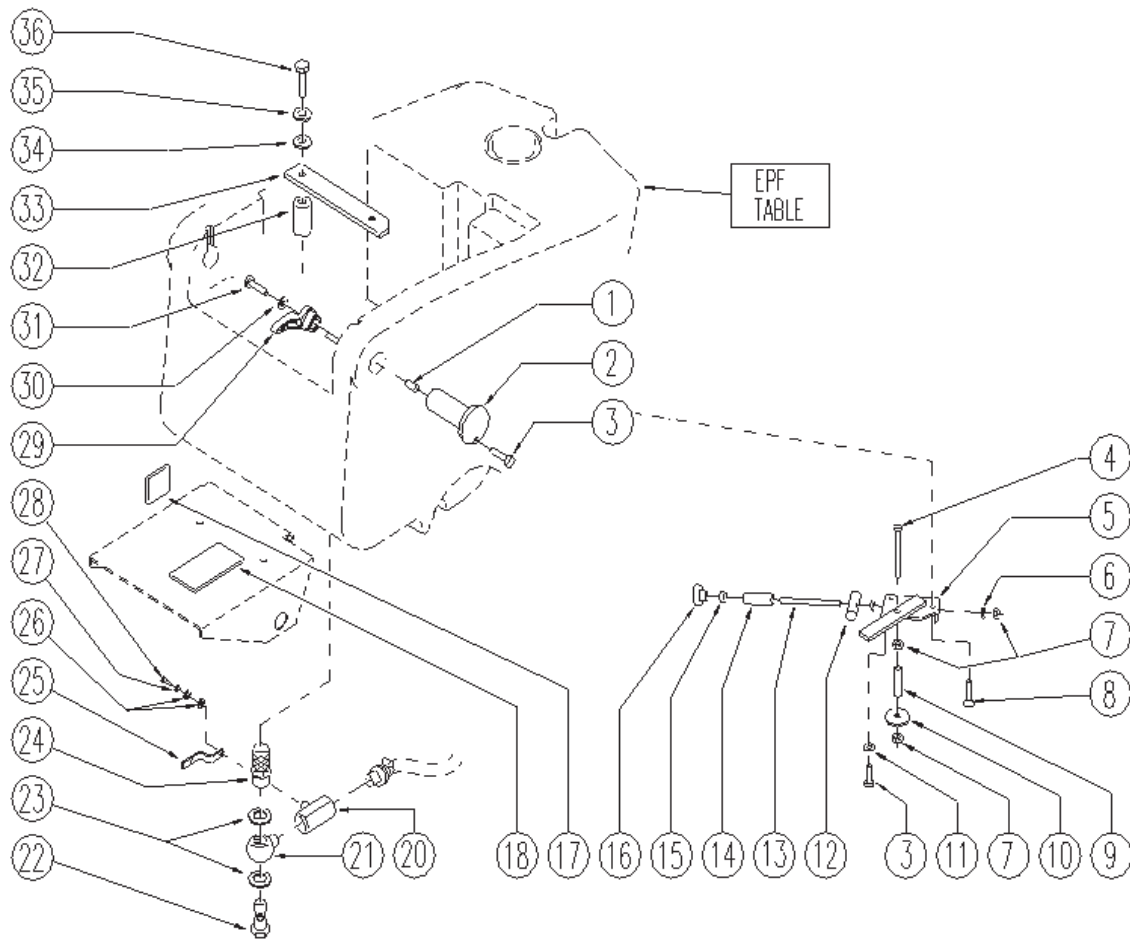
Ref.	Part N.	Description	Quantity	Validity From	Validity To
1	VTDD01693	NUT M 5 INX	1	04/2004	
2	VTRS13750	WASHER D. 5X14 INX	1	04/2004	
3	MPVR02702	CAP ASPIRAZIONE	1	04/2004	
4	LAFN05118	ROD GALLEGGIANTE	1	04/2004	
5	VTDD15520	NUT M 6 A2 UNI 5588 INX	3	04/2004	
6	VTVR00212	INSERT	1	04/2004	
7	RCGR00064	FLOATER	1	04/2004	
8	FTAC47474	FILTER SHK	1	04/2004	
9	MPVR03846	SUPPORT GALLEGGIANTE	1	04/2004	
10	GUGO00221	GASKET SUPPORTO GALLEGGIANTE	1	04/2004	
11	VTVT00835	SCREW	3	04/2004	
12	VTVT00805	SCREW TBEI M. 5-10	1	04/2004	
13	VTVT00785	ROD FILETTO	2	04/2004	
20	LAFN51078	SPACER SH	2	04/2004	
21	VTRS13945	WASHER D. 6X18 INX UNI 6593	2	04/2004	
22	VTRS16937	WASHER 6x24 INOX UNI 6593	4		
23	MPVR35582	RUBBER LAV.	2	04/2004	

## Vacuum Motor



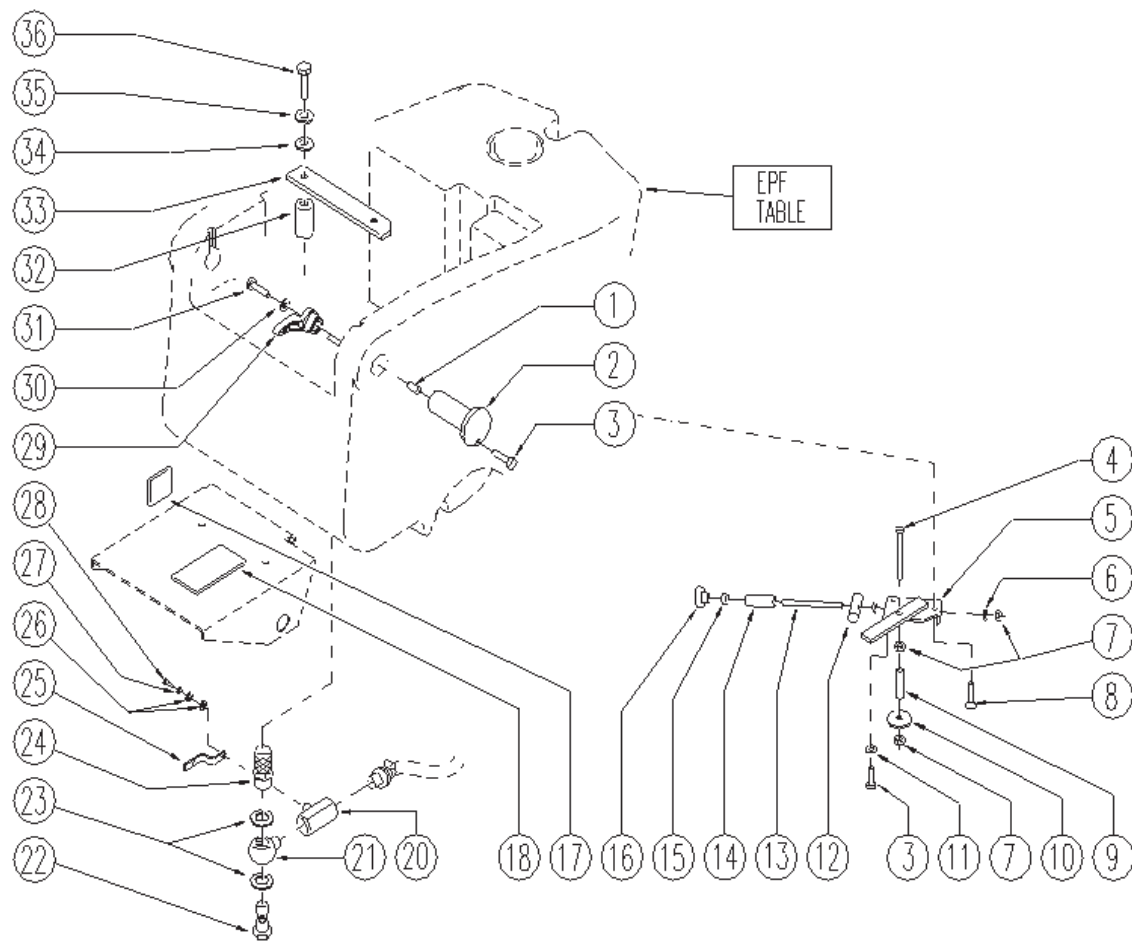
24	MPVR31077	BUSHING L.450	1	04/2004
25	FSVR00086	CLAMP	1	04/2004
26	TBFX00217	TUBE	1	
27	ITSO00036	SOUND-PROOFING SCARICO ASP.SHARK/ PANTHER	1	04/2004
28	VTDD15518	NUT M 6 INX	2	04/2004
29	LAFN51076	FLANGE INSONORIZZ.ASPIRATORE	2	04/2004
30	ITSO00035	SOUND-PROOFING SHARK/PANTHER	1	04/2004
31	VTVT00892	SCREW	4	04/2004
32	MOCC00253	MOTOR ASPIR.BIST.24V	1	
33	GUVR48858	GASKET SRB.SHK	1	04/2004
34	GUGO30649	GASKET LAV.DW.	1	04/2004

## Water Tank



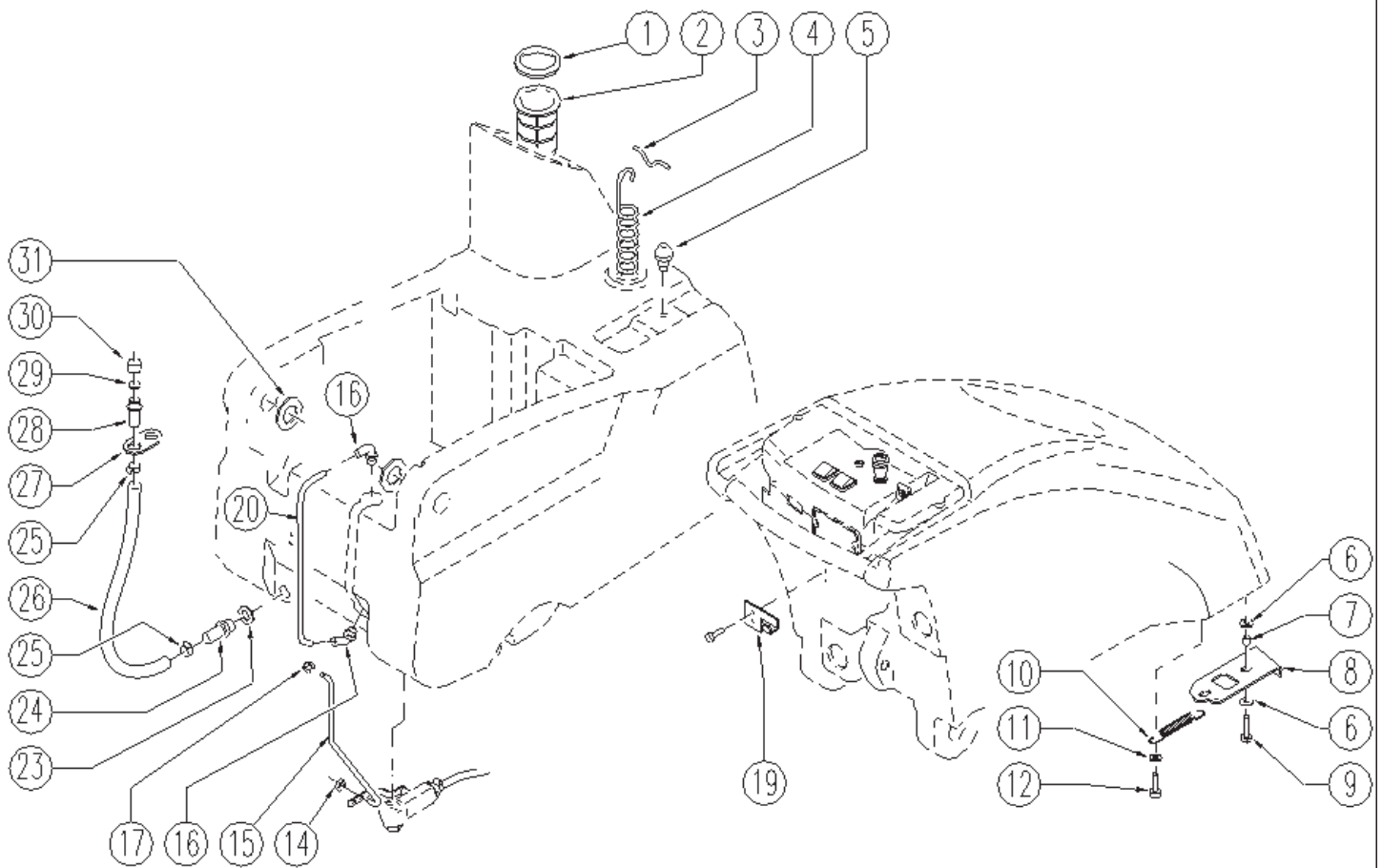
Ref.	Part N.	Description	Quantity	Validity From	Validity To
1	VTVR48693	INSERT M6 D.9	2		
2	MPVR48695	PIN SHK.BK	2		
3	VTVT48694	SCREW TCB TC 5 X12 UNI 9707 TZ	5		
4	VTVT37014	SCREW TE M 6X 90 UNI 5739	1		
5	LAFN05743	SUPPORT GRUPPO REGOLAZIONE	1		
6	VTRS00245	WASHER D.6 UNI 6592 INOX	2		
7	VTDD15518	NUT M 6 INX	3		
8	VTVT00853	SCREW TSPC+ 4-16 X PLAST.	1		
9	LAFN04068	SPACER (OTTONE)	1		
10	VTRS00278	WASHER D.8X32 ZINC.BIANCA 6593	1		
11	VTRS13750	WASHER D. 5X14 INX	1		
12	LAFN03894	BLOCK GRUPPO REGOLAZIONE	1		
13	VTVR00204	BAR FILETTATA M.8 L=247MM	1		
14	LAFN04021	SPACER 12-8,5 L=70	1		
15	VTDD15521	NUT M 8 INX A2 UNI 5588	1		
16	VTVR35378	HANDWHEEL F 8MAX20 D.40	1		
17	MPVR02826	THICKNESS LATERALE SUPPORTO SERBAT.	1		
18	MPVR02825	THICKNESS SUPPORTO SERBATOIO	1		

## Water Tank



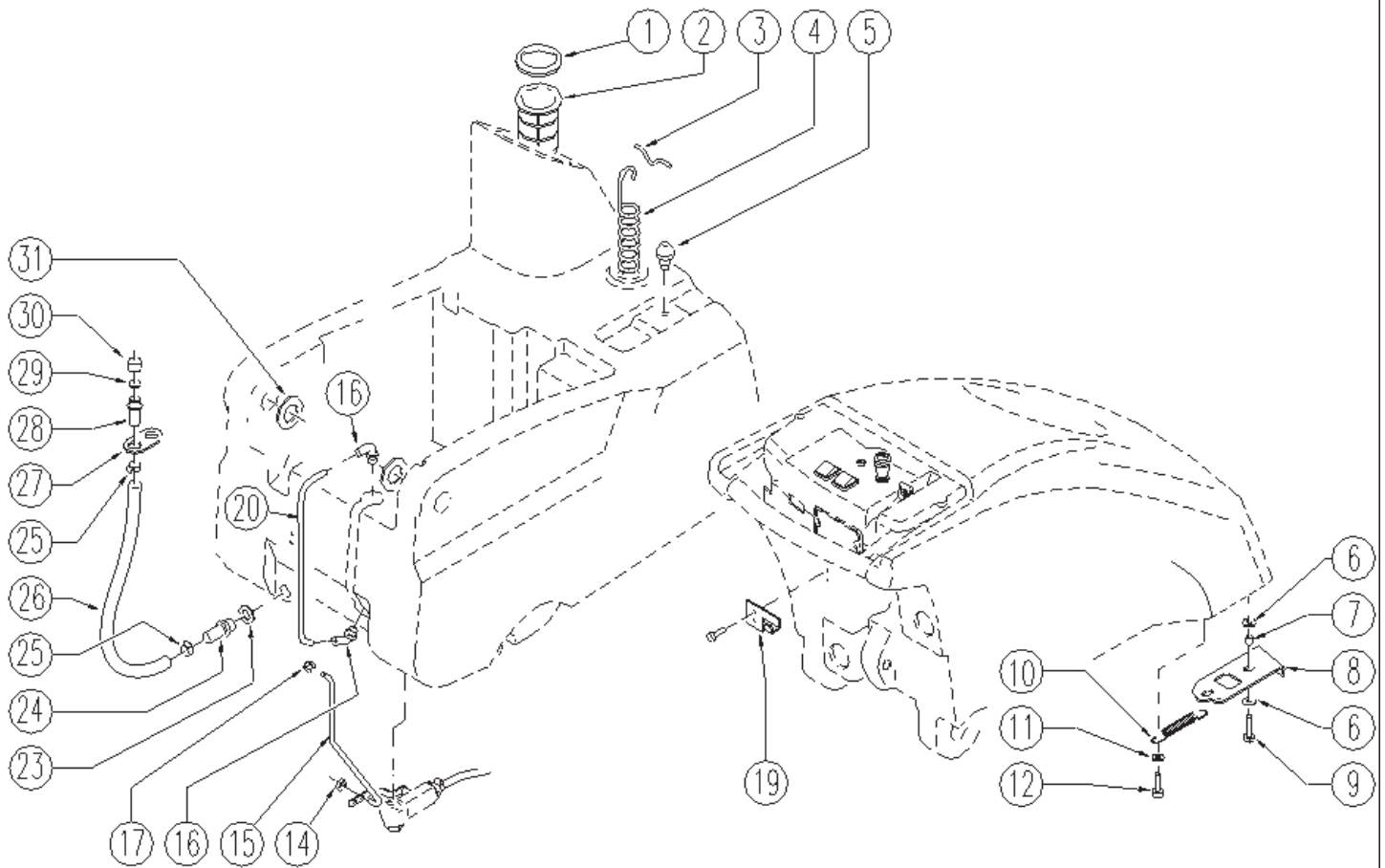
20	RCGR00065	TAP F/F 1/2"	1
21	RCDS49622	CONNECTOR OCC 1/2 - 1/2M	1
22	RCDS49623	SCREW G 1/2 L=41.5	1
23	GUVR00213	WASHER GOMMA	2
24	FTAC00036	FILTER IN RETE	1
25	LAFN47895	LEVER SHK-4	1
26	VTRS13947	WASHER D. 8 INX UNI 6592	2
27	VTRS00251	WASHER 4-16 INOX A2	1
28	VTVT00834	SCREW M 3X 6 TCB-TC IX U.7687	1
29	MPVR49471	LEVER SHK	1
30	VTRS00239	WASHER D.6-18	3
31	VTVT15143	SCREW TE 6X16 UNI5739	2
32	MPVR02884	SPACER NYLON BIANCO	2
33	LAFN05630	BRACKET BLOCCA SERBATOIO	1
34	VTRS13946	WASHER D. 8 X24 INX UNI 6593	2
35	VTRS01080	WASHER D. 8 GRW	2
36	VTVT15917	SCREW TE M 8X50 INOX A2 UNI	2

## Water Pipe



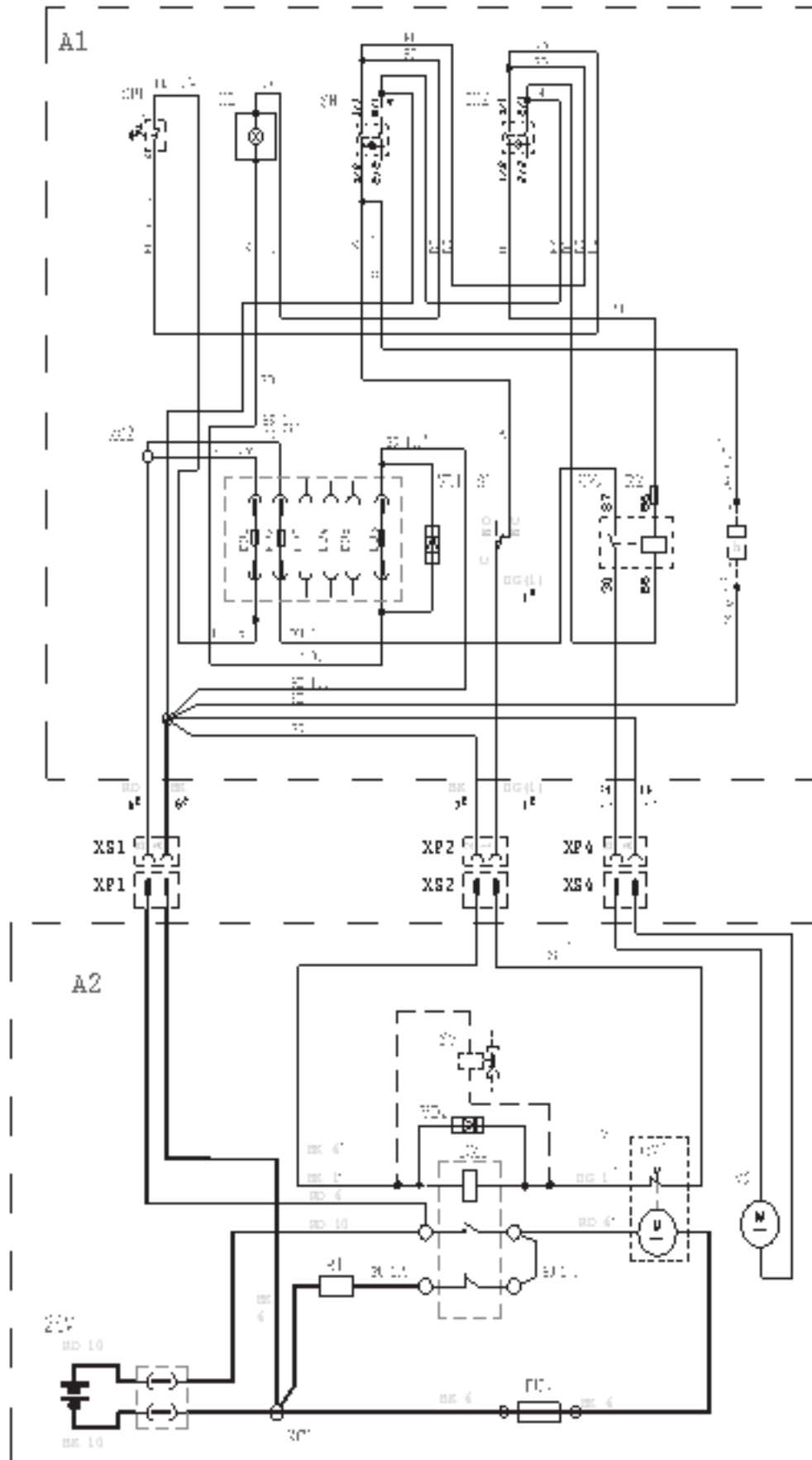
Ref.	Part N.	Description	Quantity	Validity From	Validity To
1	GUGO00267	GASKET FILTRO	1		
2	FTAC48857	FILTER ASP. ACQUA SERB. LAVAP.	1		
3	LAFN05728	SPRING SUPPORT SERB.SHARK/P	1		
4	MLML00205	SPRING TESTATA	1		
5	LAFN04044	PIN APERTURA SERBATOIO	1		
6	VTRS13946	WASHER D. 8 X24 INX UNI 6593	4		
7	LAFN03940	BUSHING 8/12-5,25	2		
8	LAFN05727	HANDLE APERTURA	1		
9	VTVT15916	SCREW TE M 8X 16 UNI 5739 A2	2		
10	MLML34726	SPRING TR E350 N	1		
11	VTRS21116	WASHER D. 3 INX	1		
12	VTVT00743	SCREW TC+ M. 3-8	1		
14	VTDD15518	NUT M 6 INX	1		

## Water Pipe



15	LAFN05760	ROD INFERIORE RUBINETTO	1
16	RCVR00538	CONNECTOR A GOMITO	2
17	VTAE00058	CIRCLIP RADIALE ALBERI D5 INOX	1
20	TBBP00365	TUBE LIVELLO	1
23	GUVR00213	WASHER GOMMA	1
24	RCVR00359	UNION/CONNECTOR 1/2 X 17 MOD.	1
25	FSVR00091	CLAMP 14-24	2
26	TBBP00180	TUBE D 15-500 MM	1
27	MPVR02836	HOOKING TUBO	1
28	RCVR00514	CONNECTOR 1/2 M RESCA 15	1
29	GUGO00268	GASKET D.21 SP.3 GOMMA	1
30	RCVR00353	CAP 1/2"G X ELETTROV. ACL	1
31	GUGO00261	GASKET PERNI SHARK2	2

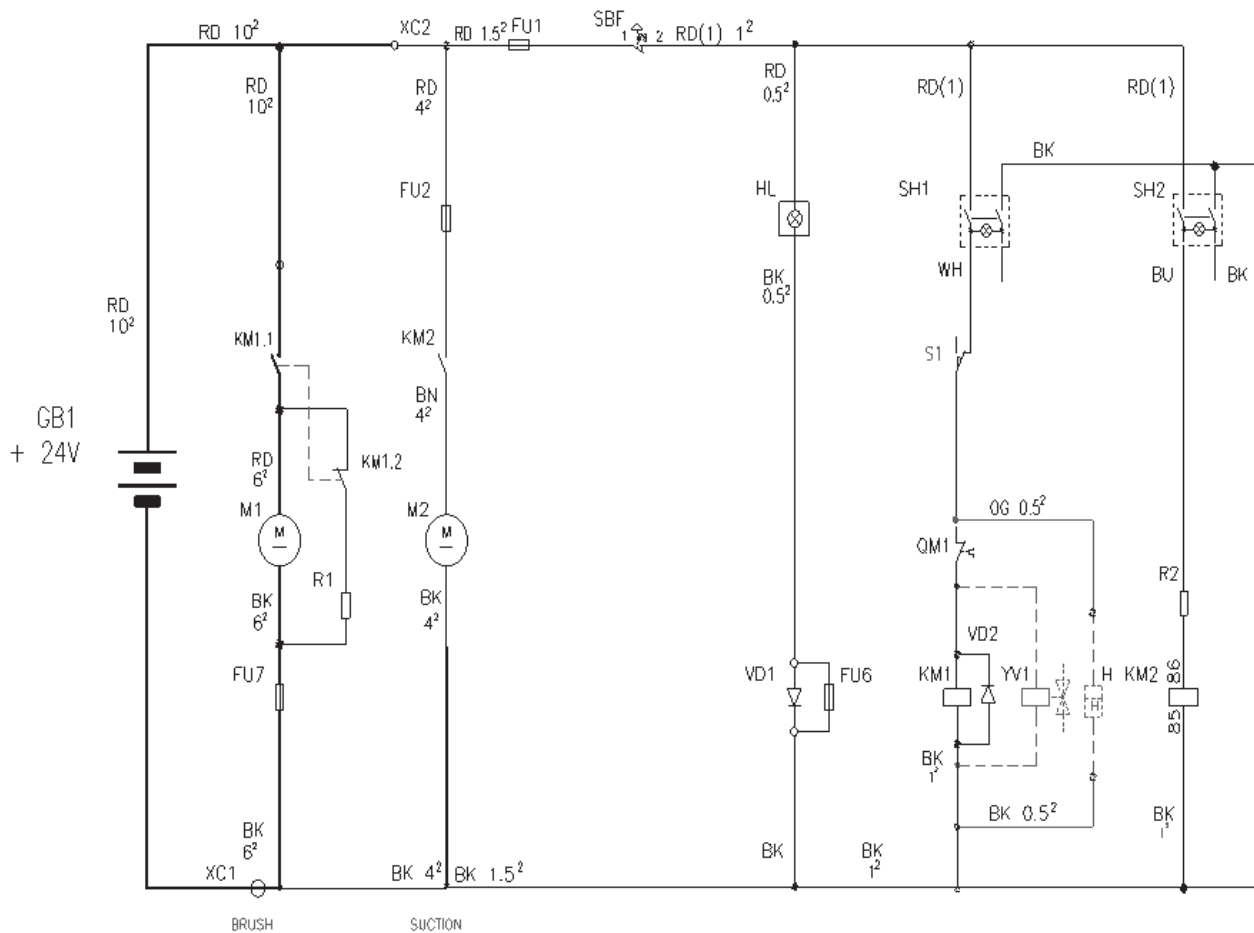
# Electric Diagram 1



## Electric Diagram 1

Ref.	Part N.	Description	Quantity	Validity From	Validity To
FU1	MEVR01136	FUSE 30A	1		
FU2	MEVR01380	FUSE A LAMA	1		
FU6	MEVR01136	FUSE 30A	1		
FU7	MEVR42990	FUSE 60A NST.	1		
H	MESB00022	HOUR-COUNTER 24V	1		
HL	MECE30652	PCB LAV.FL.	1		
KM1	METT00056	CONTACTOR T-106	1		
KM2	MERL45196	SWITCH RELAY F7 IN/O 12V 70A	1		
M1	MOCC00256	MOTOR.GEARBOX MRP6 1/10	1		
M2	MOCC00253	MOTOR ASPIR.BIST.24V	1		
R1	MECE00391	RESISTANCE CORAZZATA	1		
R2	MECE00341	RESISTANCE 68R	1		
S1	MECI00310	MICROSWITCH	1		
SBF	MECI38446	BUTTON D.22 NC	1		
SH1	MECI30651	SWITCH GIALLO 36V	1		
SH2	MECI30651	SWITCH GIALLO 36V	1		
VD1	MECI00294	DIODE 1N4007	1		
VD2	MECI00294	DIODE 1N4007	1		
XC1	MEVR01116	SUPPORT FUSIBILE 120 A	1		
XC2	MEVR01227	CLAMP FORBOX E27	1		
XP1	MEVR01294	CONNECTOR STAGNO CPL 2M	1		
XP2	MEVR01283	CONNECTOR STAGNO CPL 2M	1		
XP3	MEVR01079	PLUG M CB50 A 600V RD.	1		
XP4	MEVR01294	CONNECTOR STAGNO CPL 2M	1		
XP5	MEVR01291	CONNECTOR STAGNO CPL 6M	1		
XS1	MEVR01296	CONNECTOR STAGNO CPL 2F 28A	1		
XS2	MEVR01284	CONNECTOR STAGNO CPL 2F	1		
XS4	MEVR01296	CONNECTOR STAGNO CPL 2F 28A	1		
YV	MEEV00016	SOLENOID VALVE 24V 14W DC 7250 169	1		

## Electric Diagram 2



Ref.	Part N.	Description	Quantity	Validity From	Validity To
FU1	MEVR01136	FUSE 30A	1		
FU2	MEVR01380	FUSE A LAMA	1		
FU6	MEVR01136	FUSE 30A	1		
FU7	MEVR42990	FUSE 60A NST.	1		
H	MESB00022	HOUR-COUNTER 24V	1		
HL	MECE30652	PCB LAV.FL.	1		
KM1	METT00056	CONTACTOR T-106	1		
KM2	MERL45196	SWITCH RELAY F7 IN/O 12V 70A	1		
M1	MOCC00256	MOTOR.GEARBOX MRP6 1/10	1		
M2	MOCC00253	MOTOR ASPIR.BIST.24V	1		
R1	MECE00391	RESISTANCE CORAZZATA	1		
R2	MECE00341	RESISTANCE 68R	1		
S1	MECI00310	MICROSWITCH	1		
SBF	MECI38446	BUTTON D.22 NC	1		
SH1	MECI30651	SWITCH GIALLO 36V	1		
SH2	MECI30651	SWITCH GIALLO 36V	1		
VD1	MECI00294	DIODE 1N4007	1		
VD2	MECI00294	DIODE 1N4007	1		
XC1	MEVR01116	SUPPORT FUSIBILE 120 A	1		
XC2	MEVR01227	CLAMP FORBOX E27	1		
YV1	MEEV00016	SOLENOID VALVE 24V 14W DC 7250 169	1		