

# Parts Manual Manuel de pièces



## Hurricane 510 XTT<sup>TR</sup>

---

Automatic Scrubber

Code: 19332-TR

Serial #: \_\_\_\_\_

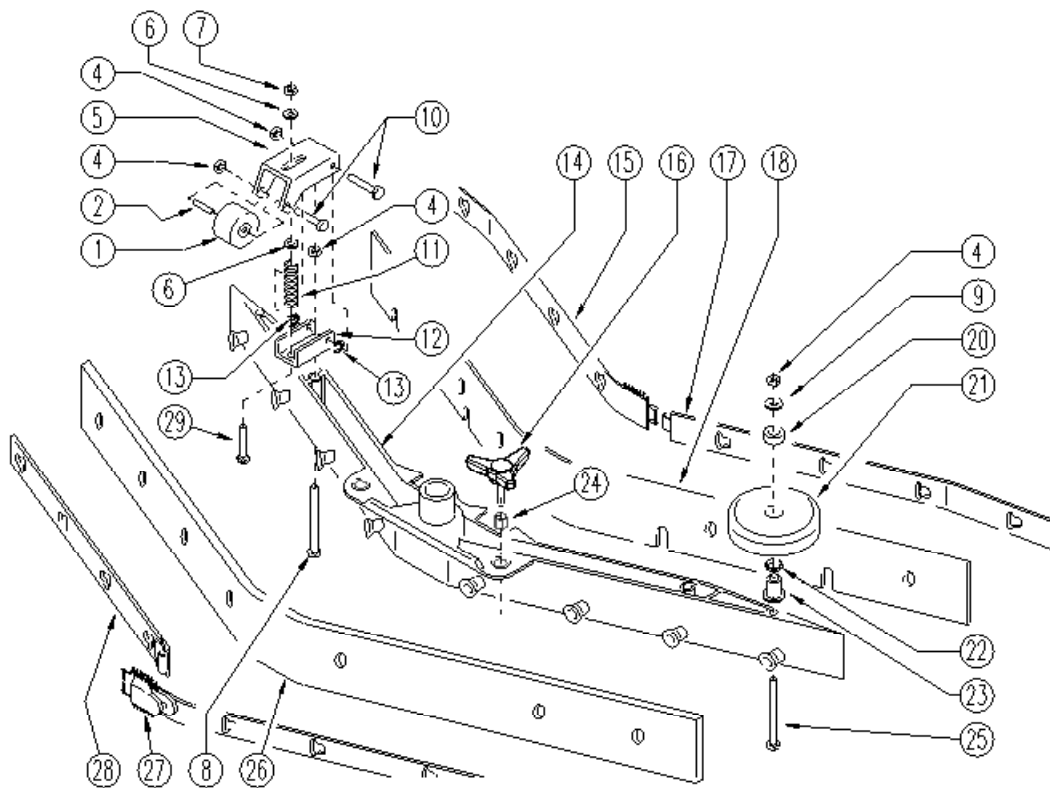
Date of Purchase: \_\_\_\_\_

More info : [www.dustbane.ca](http://www.dustbane.ca)

07-2010



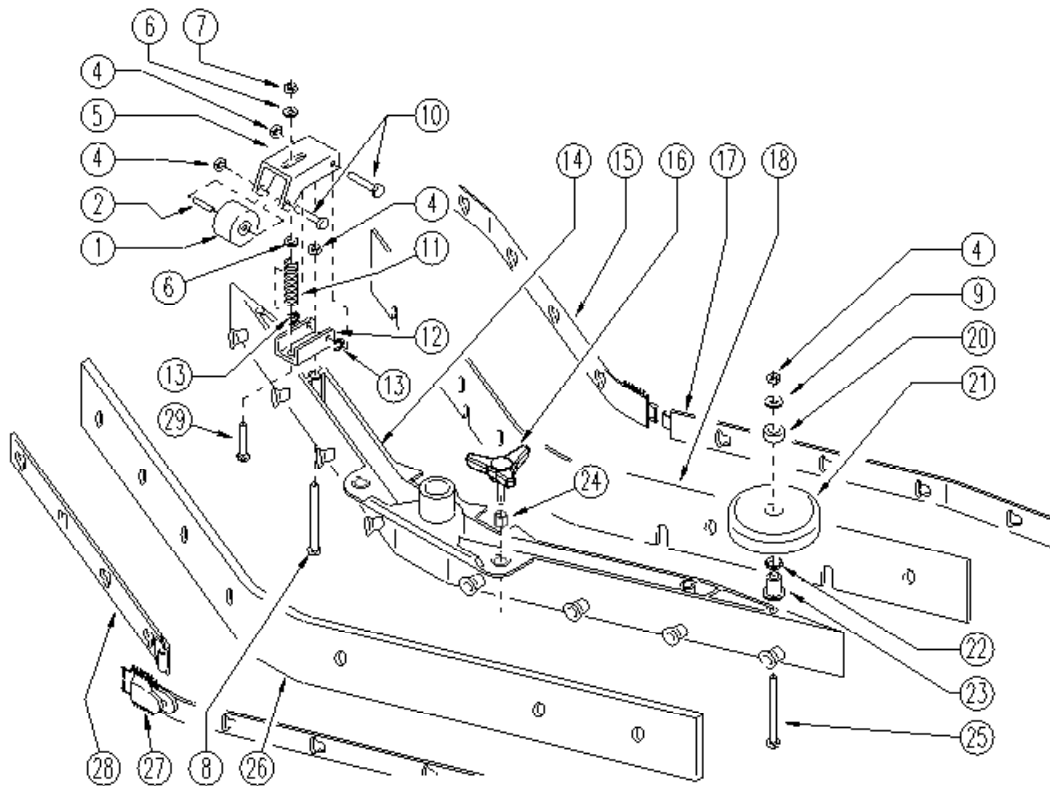
# Squeegee



## Complete Squeegee Assembly - 3PMVR02003

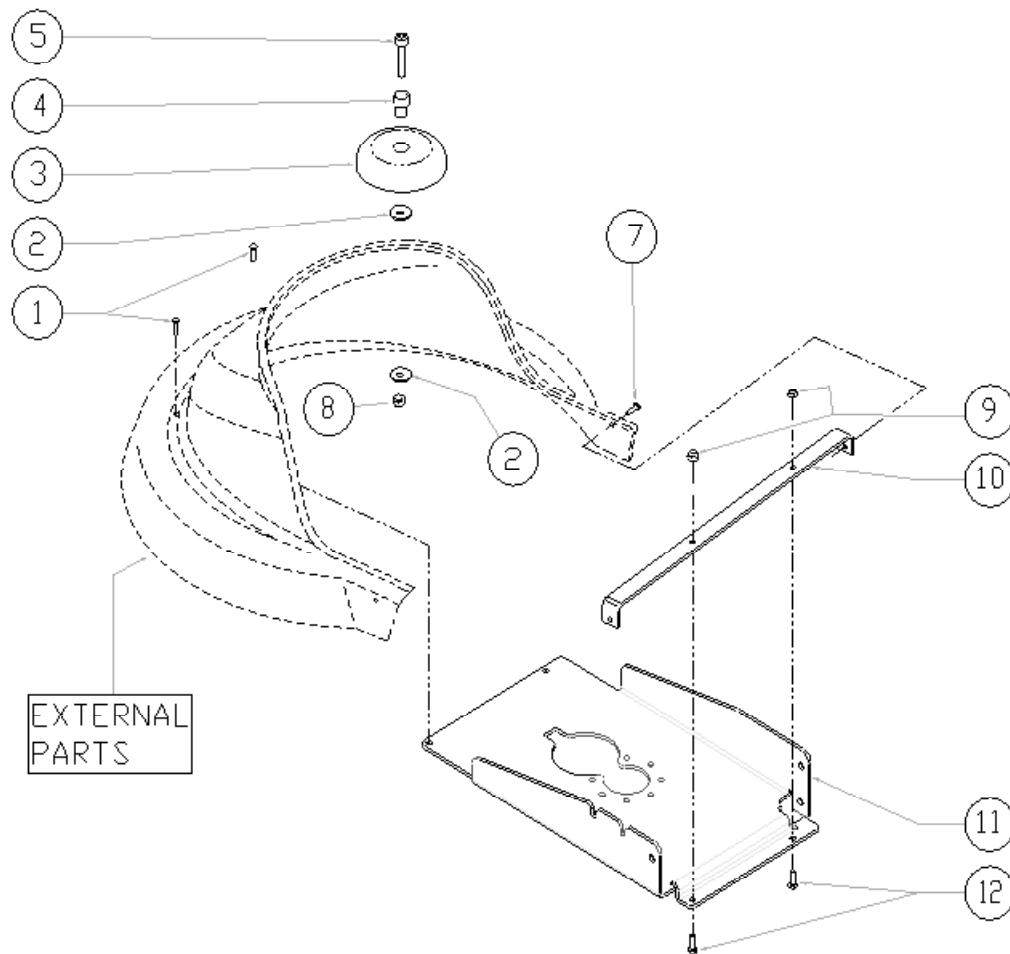
Ref.	Part N.	Description	Quantity	Validity From	Validity To
1	3RTRT49413	WHEEL D. 60-D.15 X36 NYL.	2		
2	3LAFN04041	SPACER D6/15	2		
4	3VTDD01694	NUT M 6 INX	8		
5	3LAFN05559	SUPPORT	2		
6	3VTRS13947	WASHER D. 8 INX UNI 6592	4		
7	3VTDD01695	NUT M 8 INX	2		
8	3VTVT15142	SCREW TE M 6x45 INOX	2		
9	3VTRS00245	WASHER D.6 UNI 6592 INOX	2		
10	3VTVT15515	SCREW TE M 6X 50 INOX A2	4		
11	3MLML49422	SPRING D.15X 45 X1	2		
12	3LAFN51069	BRACKET SQUEEGEE	2		
13	3VTAE45707	CIRCLIP D. 6 UNI 7434 INOX	4		
14	3MFVR00141	BODY SQUEEGEE	1		
15	3LAFN51045	BLADE HOLDER	1		

# Squeegee



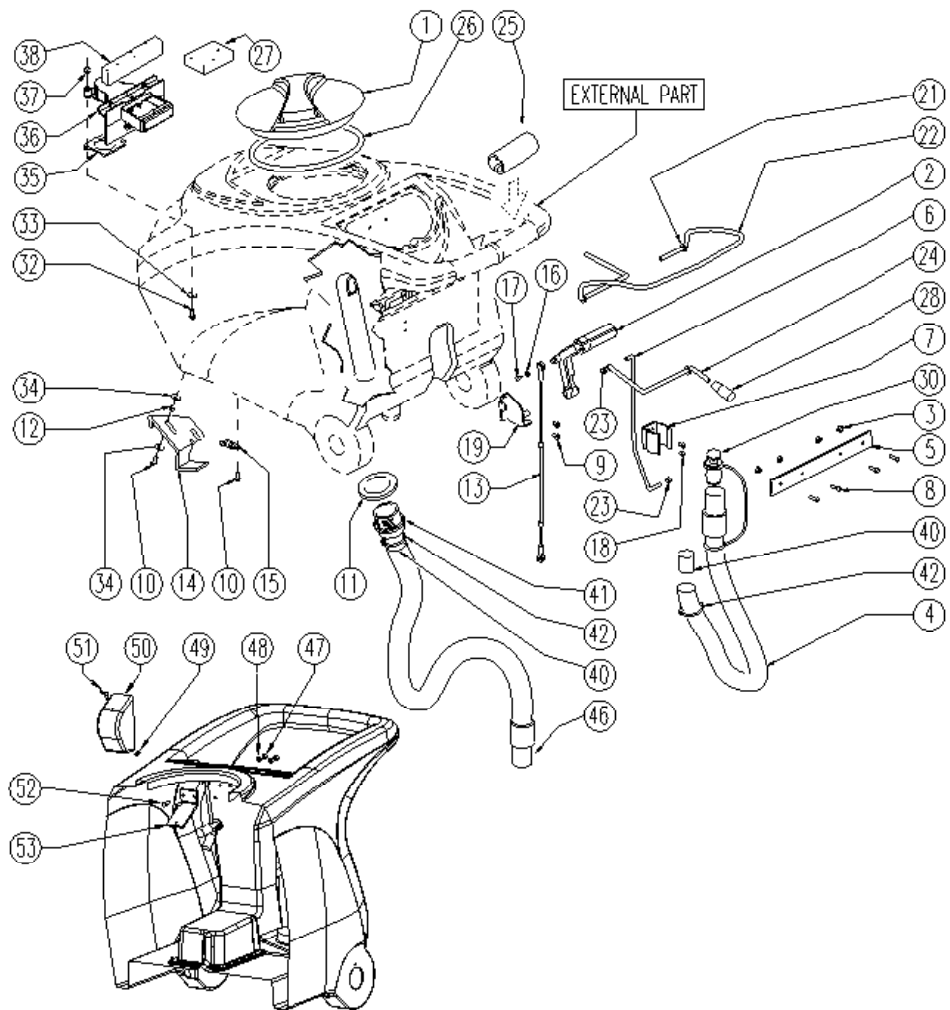
16	3MPVR05265	KNOB 8X25	2
17	3LAFN51044	BLADE HOLDER	1
18	3MPVR45194	FRONT SQUEEGEE BLADE	1
20	3MPVR49229	BUSHING SHK	2
21	3MPVR05290	ROLLER	2
22	3GUGO00164	GASKET	2
23	3LAFN04100	SPACER	2
24	3VTVR00022	INSERT	2
25	3VTVT17342	SCREW TE	2
26	3MPVR45195	REAR SQUEEGEE BLADE	1
27	3LAFN49284	BLADE HOLDER	1
28	3LAFN49285	BLADE HOLDER	1
29	3VTVT01304	SCREW M 8X 40 TTQST UNI 5731	2

## Motor Support



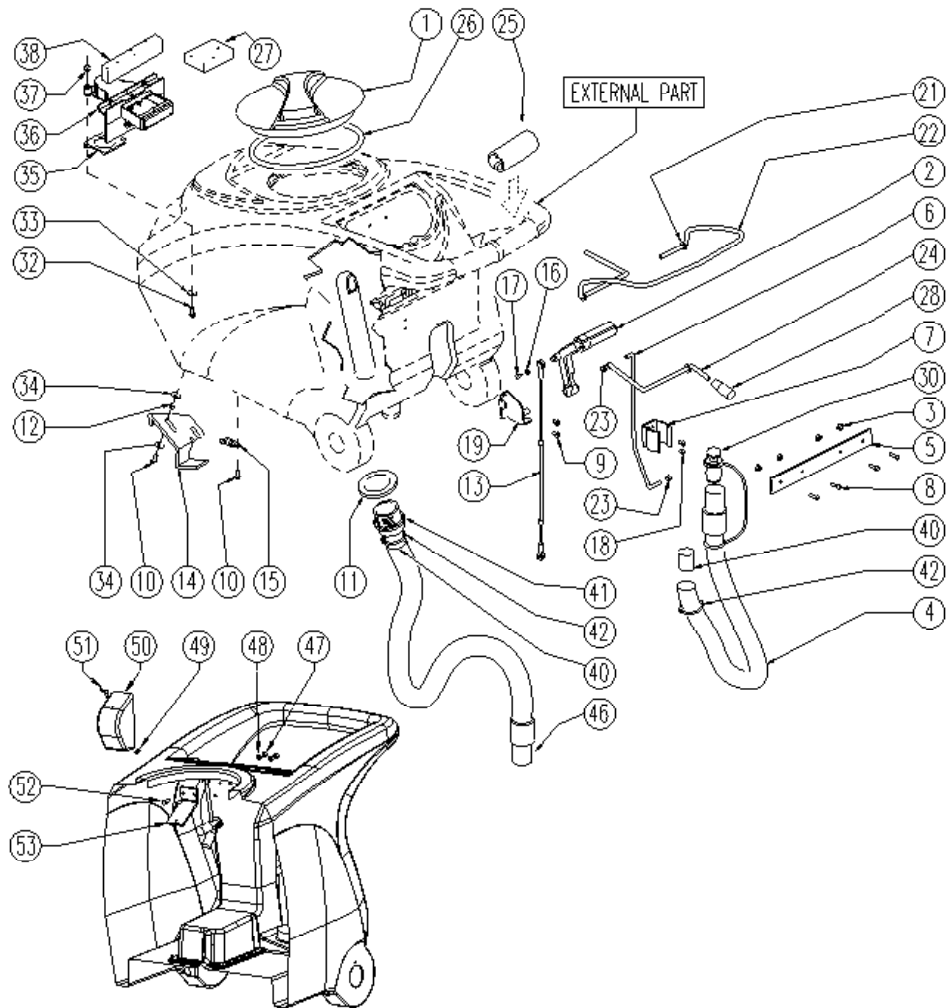
Ref.	Part N.	Description	Quantity	Validity From	Validity To
1	3VTVT00659	SCREW TC+ M. 4-15	2		
2	3VTRS13946	WASHER D. 8 X24 INX UNI 6593	2		
3	3RTRT43370	CASTER D.100 2V.	1		
4	3LAFN03915	BUSHING	1		
5	3VTVT00822	SCREW TCEI M 8-30	1	06/2009	
5	3VTVT17349	SCREW TCEI M 8X30	1		06/2009
6	3MEVR01281	SPACER	2		
7	3VTVT01366	SCREW M4X16	2		
8	3VTDD01695	NUT M 8 INX	1		
9	3VTDD15518	NUT M 6 INX	2		
10	3LAFN05899	SUPPORT BRACKET	1		
11	3LAFN07373	PLATE	1		
12	3VTVT15143	SCREW TE 6X16 UNI5739	2		
16	3LAFN04039	THICKNESS	1		

# Tank



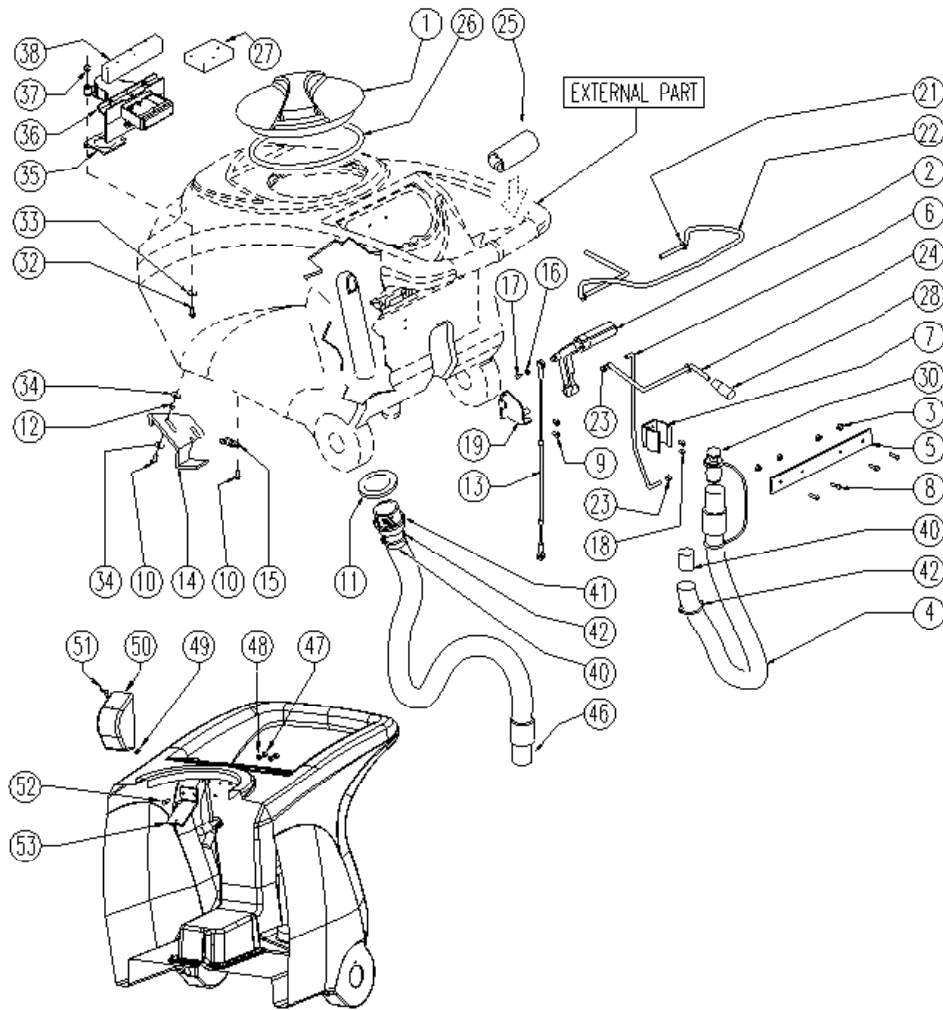
Ref.	Part N.	Description	Quantity	Validity From	Validity To
1	3MPVR04051	TANK CAP	1		
2	3MPVR49942	LEVER SHK PP	1		
3	3VTDD15518	NUT M 6 INX	4	04/2009	
4	3TBBP00428	TUBE	1		
5	3LAFN05865	PLATE	1		
6	3LAFN05863	ROD	1		
7	3MPVR46988	CLIP LAV. SHK	1		
8	3VTVT00651	SCREW TBEI M. 5x16 INOX	4	04/2009	
8	3VTVT07726	SCREW TE 5X20	4		04/2009
9	3VTVT15906	SCREW TE 6X 12 A2 UNI 5739	2		
10	3VTVT15143	SCREW TE 6X16 UNI5739	3		
11	3GUGO00216	GASKET	1		01/2009
12	3LAFN03626	SPACER	2		
13	3CMCV00428	CABLE SQUEEGEE	1		
14	3LAFN06849	HANDLE CT 70	1		
15	3MLML00203	SPRING	1		

# Tank



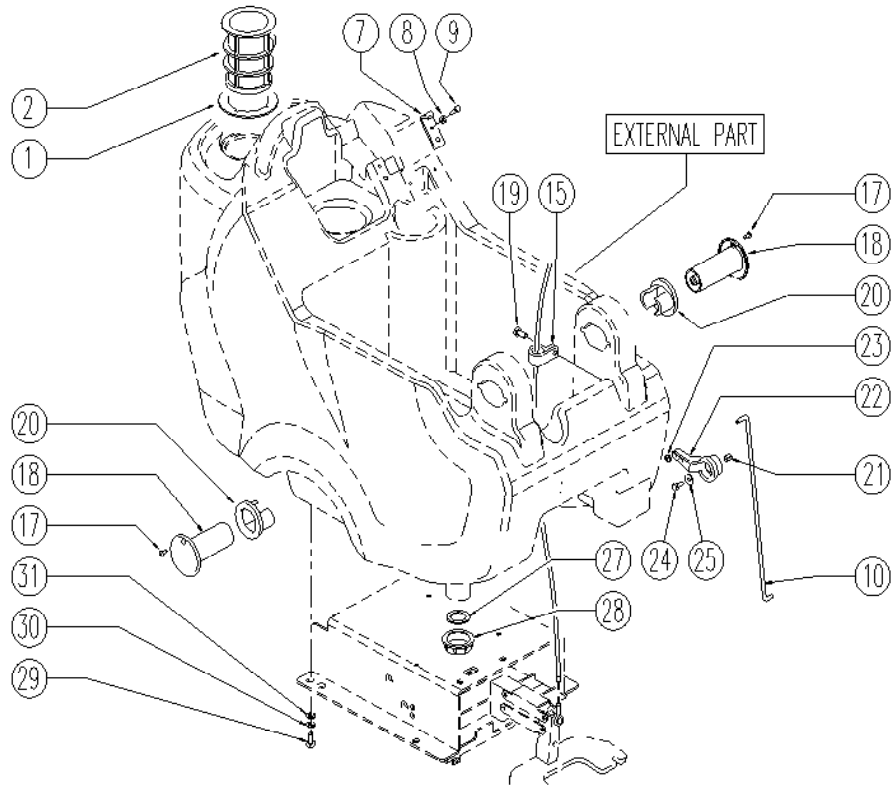
16	3VTRS00251	WASHER 4-16 INOX A2	1
17	3VTVT00800	SCREW TC 4X12 ZN	1
18	3VTVT21096	SCREW TE M 4X 10 INX	2
19	3LAFN05870	BRACKET SQUEEGEE	1
21	3VTRS13947	WASHER D. 8 INX UNI 6592	2
22	3LAFN05861	LEVER	1
23	3VTDD01694	NUT M 6 INX	2
24	3LAFN05908	ROD	1
25	3MPVR05215	KNOB	2
26	3GUGO00263	GASKET	1
27	3FTDP00133	FILTER	1
28	3MPVR04146	KNOB	1
30	3MPVR05064	CAP	1
32	3VTVT01139	SCREW TE M.4-25	2
33	3VTRS00515	WASHER D. 4 INX	2
34	3VTRS00274	WASHER NYLON 66 D.8,4-17-2 UNI	4
35	3GUGO00417	GASKET	1

# Tank



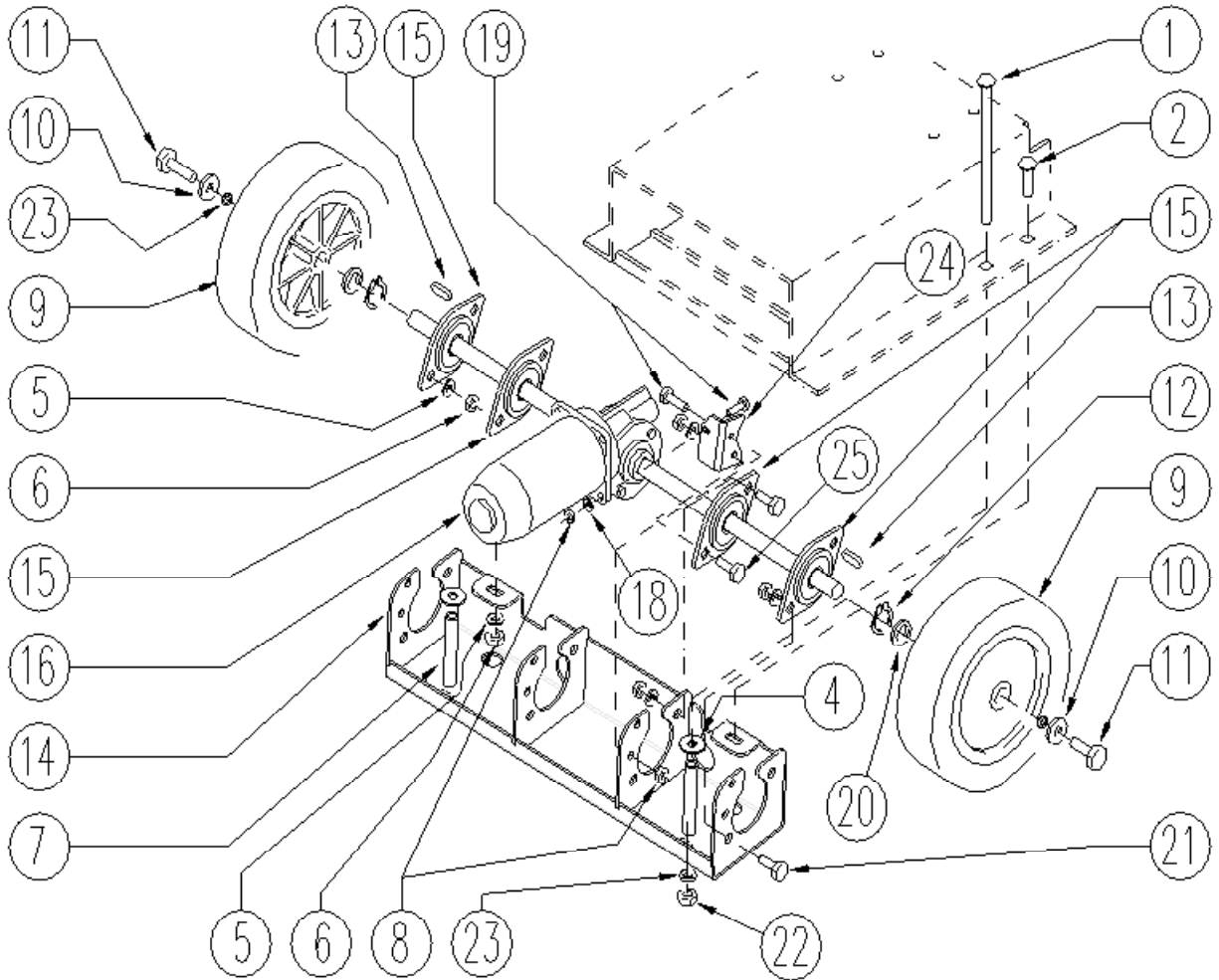
36	3FTDP00185	BOX	1		01/2009
36	3MPVR05482	BOX	1	01/2009	
37	3VTDD15925	NUT M 4 INX	2		
38	3GUGO00418	GASKET	1		
40	3GUGO00245	GASKET	1		
41	3RCVR00586	CONNECTOR 1/4	1		01/2009
42	3FSVR43136	CLAMP D. 35-40 DF.	2		01/2009
46	3TBBP00407	TUBE L=990 d.i.350	1		01/2009
46	3TBBP00453	TUBE TERGI D.40	1	02/2009	
47	3VTDD01693	NUT M 5 INX	2	04/2009	
48	3VTRS00516	WASHER D. 5 INX	2	04/2009	
49	3VTVR01038	WASHER	1	04/2009	
50	3MPVR05596	PROTECTION	1	04/2009	
51	3VTVT01150	SCREW 4x10	1	04/2009	
52	3VTVT07725	SCREW TE 5X16 UNI5739 INX	2	04/2009	
53	3LAFN07631	BRACKET	1	04/2009	

# Water Tank



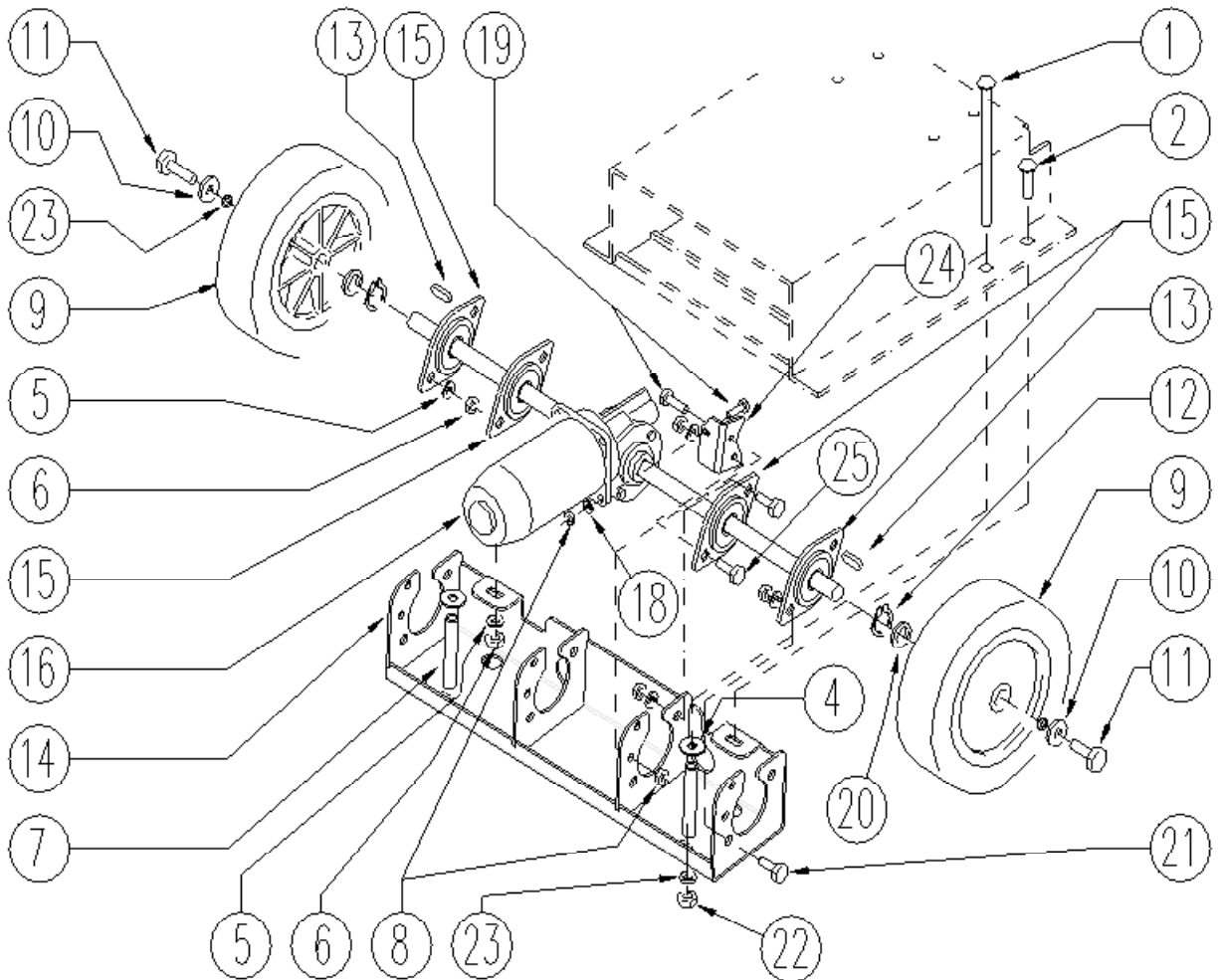
Ref.	Part N.	Description	Quantity	Validity From	Validity To
1	3GUGO00267	GASKET	1		
2	3FTAC00040	FILTER	1		
7	3LAFN06489	PLATE	1		
8	3VTRS15144	WASHER D. 6 INX GRW UNI 1751	1		
9	3VTVT01303	SCREW TE M6-10 INOX	1		
10	3LAFN05862	ROD	1		
15	3MPVR02933	DUCT LOCK D.9,5	2		
17	3VTVT48694	SCREW TCB TC 5 X12 UNI 9707 TZ	2		
18	3MPVR48695	PIN SHK.BK	2		
19	3VTVT15961	SCREW M 5X 16 TCB TC UNI 7687	1		
20	3PMVR02028	RUBBER	2		
21	3VTVR48693	INSERT M6 D.9	1		
22	3MPVR49471	LEVER SHK	1		
23	3VTDD01694	NUT M 6 INX	1		
24	3VTVT15143	SCREW TE 6X16 UNI5739	1		
25	3VTRS13945	WASHER D. 6X18 INX UNI 6593	1		
27	3GUGO00416	GASKET	1		
28	3MPVR04931	CAP	1		
29	3VTVT15916	SCREW TE M 8X 16 UNI 5739 A2	4		
30	3VTRS00269	WASHER D. 8 DIN 6798-A INX A2	4		
31	3VTRS13947	WASHER D. 8 INX UNI 6592	4		

# Traction Motor



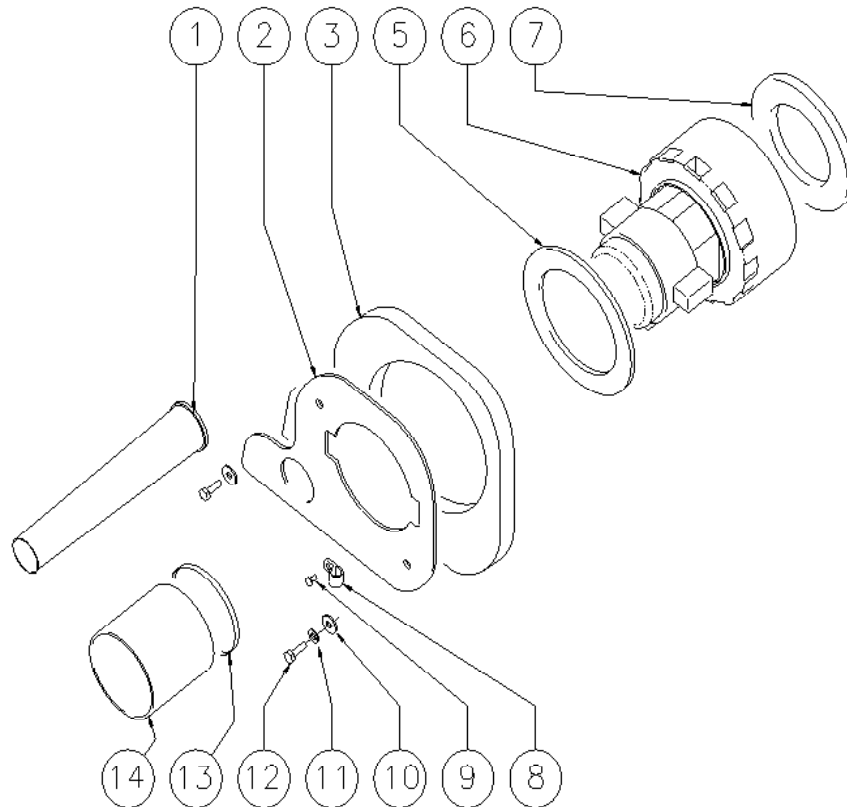
Ref.	Part N.	Description	Quantity	Validity From	Validity To
1	3VTVT01140	SCREW TTTQS M8-100	2		
2	3VTVT00842	SCREW	2		
4	3VTRS13946	WASHER D. 8 X24 INX UNI 6593	2		
5	3VTRS13947	WASHER D. 8 INX UNI 6592	10		
6	3VTDD01695	NUT M 8 INX	10		
7	3LAFN04155	SPACER	2		
8	3VTDD01694	NUT M 6 INX	2		
9	3RTRT00521	WHEEL -	2	12/2008	
9	3RTRT36352	WHEEL D.200 DRW	2		12/2008
10	3VTRS13946	WASHER D. 8 X24 INX UNI 6593	2		
11	3VTVT15916	SCREW TE M 8X 16 UNI 5739 A2	2		
12	3VTAE06193	CIRCLIP D. 20 UNI 7435	2		
13	3VTVR33668	KEY 6x 6x40 UNI 6604A	2		

## Traction Motor



14	3LAFN07418	SUPPORT MOTOR	1		
15	3CUVR00105	SUPPORT	4		
16	3MOCC00301	MOTOR AOMPDIF 24V 165W 130G	1		09/2007
16	3MOCC00335	MOTOR 180W	1	09/2007	07/2008
16	3MOCC00347	MOTOR 180W	1	07/2008	
18	3VTRS00245	WASHER D.6 UNI 6592 INOX	2		
19	3VTVT13939	SCREW TE 6X20 UNI5739 INX	2		
20	3VTRS00032	THICKNESS 20,2X28X1 DIN 988	2		12/2008
21	3VTVT13938	SCREW TE 8X20 UNI5739 INX	7		
22	3VTDD15521	NUT M 8 INX A2 UNI 5588	2		
23	3VTRS15146	WASHER D. 8 INX GRW UNI 1751	4		
24	3LAFN06873	BRACKET	1		
25	3VTVT15907	SCREW TE 8X25 UNI5739 INX	1		

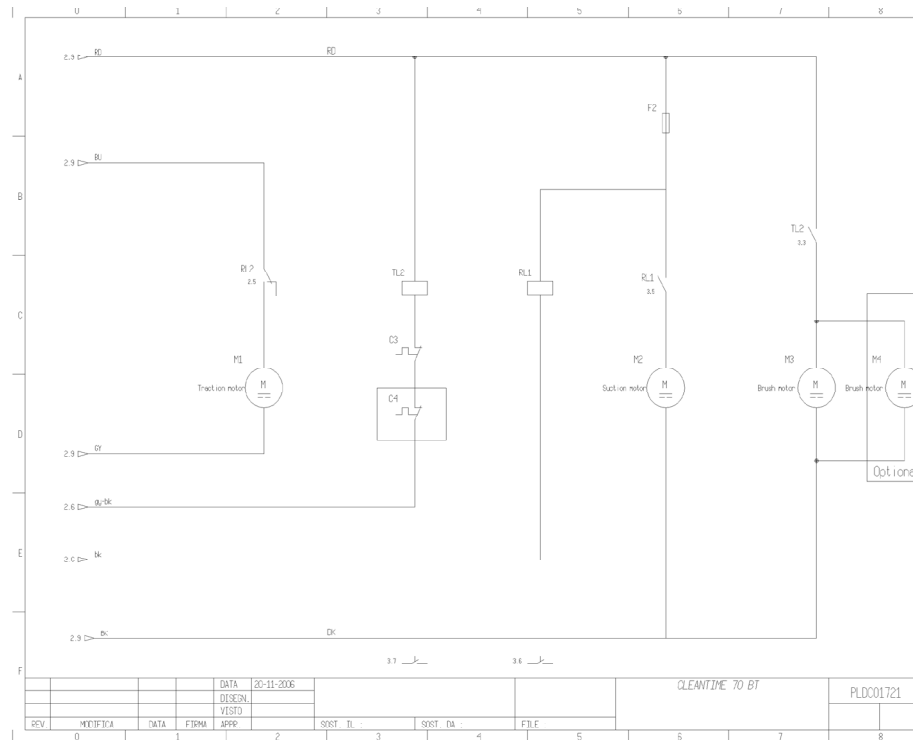
## Vacuum Cleaner



Ref.	Part N.	Description	Quantity	Validity From	Validity To
1	3MPVR05259	TUBE	1	06/2007	
1	3TBFX00244	TUBE D 34 L200MM	1		06/2007
2	3LAFN06363	FLANGE	1		
3	3MPVR05103	SOUND-PROOFING	1		
5	3MPVR04724	FLANGE IN NYLON	1		
6	3MOCC00253	MOTOR VAC	1		11/2008
6	3MOCC00349	MOTOR VAC	1	11/2008	
7	3GUGO00272	GASKET	1		
8	3FSVR00099	CLAMP	1		
9	3VTVT00813	SCREW M 4X 8 TCB-TC UNI 8112	1		
10	3VTRS13945	WASHER D. 6X18 INX UNI 6593	2		
11	3VTRS15144	WASHER D. 6 INX GRW UNI 1751	2		
12	3VTVT15143	SCREW TE 6X16 UNI5739	2		
13	3FSVR00118	CLAMP D.94	1	05/2007	
13	3FSVR00500	CLAMP 80-100 INOX	1		04/2007
14	3TBFX00268	SUCTION HOSE D80 L=80MM	1		04/2007
14	3TBFX00312	TUBE	1	05/2007	



## Elec Diagram 2



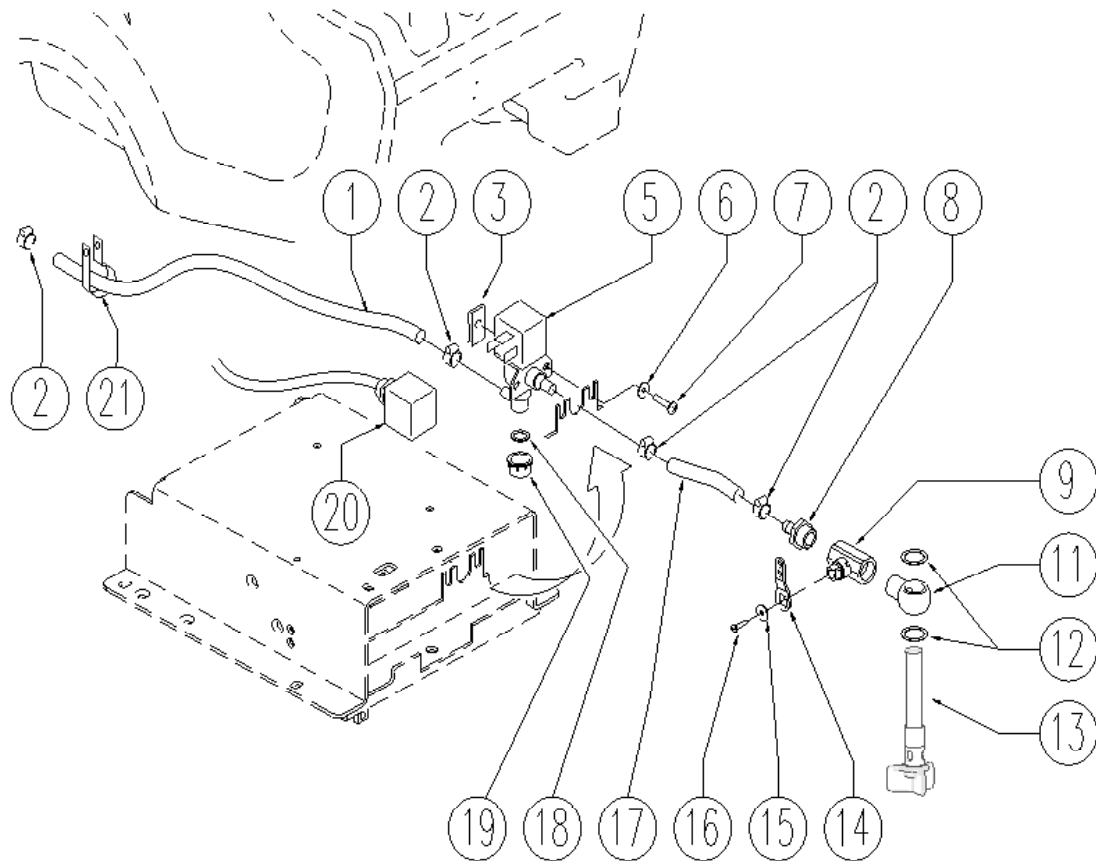
Ref.	Part N.	Description	Quantity	Validity From	Validity To
AP1	3MECE00435	BOARD CT40	1		10/2008
AP1	3MECE00465	BOARD CT40-70-90	1	10/2008	
F1	3MEVR01332	FUSE-HOLDER	1		07/2009
F1	3MEVR31036	FUSE-HOLDER	1	07/2009	
F2	3MEVR01332	FUSE-HOLDER	1		07/2009
F2	3MEVR31036	FUSE-HOLDER	1	07/2009	
L1	3MECI00516	SENSOR	1		
L2	3MECI00516	SENSOR	1		
L3	3MECI36393	MICROSWITCH	1		
L4	3MECI00334	MICROSWITCH V4	1		
M1	3MOCC00301	MOTOR 24V 165W 130G	1		
M2	3MOCC00253	MOTOR VAC	1		11/2008
M2	3MOCC00349	MOTOR VAC	1	11/2008	
M3	3MOCC00315	MOTOR MRP6 1/10 210G/' 24V W300	1		
M4	3MOCC00315	MOTOR MRP6 1/10 210G/' 24V W300	1		
PE	3MECI00402	BUTTON	1		
PE	3MECI00403	CONTACT	1		
RL1	3MECE00139	RELAY 24V	1		
RL2	3MECI00005	RELAY 24V 10/20A	1		
TL1	3METT45116	CONTACTOR 24V T106 P	1		
TL2	3METT45116	CONTACTOR 24V T106 P	1		

# Elec Diagram 3



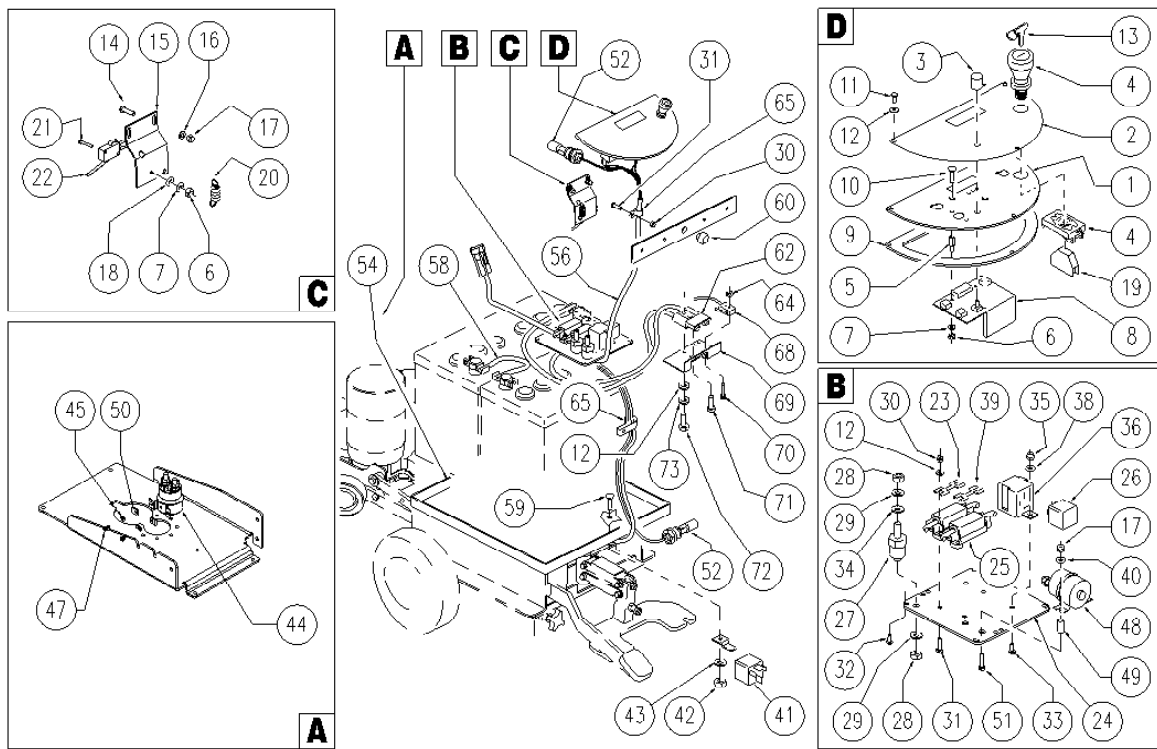
Ref.	Part N.	Description	Quantity	Validity From	Validity To
AP1	3MECE00435	BOARD CT40	1		10/2008
AP1	3MECE00465	BOARD HD CT40-70-90	1	10/2008	
F1	3MEVR01332	FUSE-HOLDER	1		07/2009
F1	3MEVR31036	FUSE-HOLDER	1	07/2009	
F2	3MEVR01332	FUSE-HOLDER	1		07/2009
F2	3MEVR31036	FUSE-HOLDER	1	07/2009	
L1	3MECI00516	SENSOR	1		
L2	3MECI00516	SENSOR	1		
L3	3MECI36393	MICROSWITCH TRZ. DRW	1		
L4	3MECI00334	MICROSWITCH V4	1		
M1	3MOCC00301	MOTOR 24V 165W 130G	1		
M2	3MOCC00253	MOTOR VAC	1		11/2008
M2	3MOCC00349	MOTOR VAC	1	11/2008	
M3	3MOCC00315	MOTOR MRP6 1/10 210G/' 24V W300	1		
M4	3MOCC00315	MOTOR MRP6 1/10 210G/' 24V W300	1		
PE	3MECI00402	BUTTON	1		
PE	3MECI00403	CONTACT	1		
RL1	3MECE00139	RELAY 24V	1		
RL2	3MECI00005	RELAY 24V 10/20A	1		
TL1	3METT45116	CONTACTOR 24V T106 P	1		
TL2	3METT45116	CONTACTOR 24V T106 P	1		

## Solenoid Valve



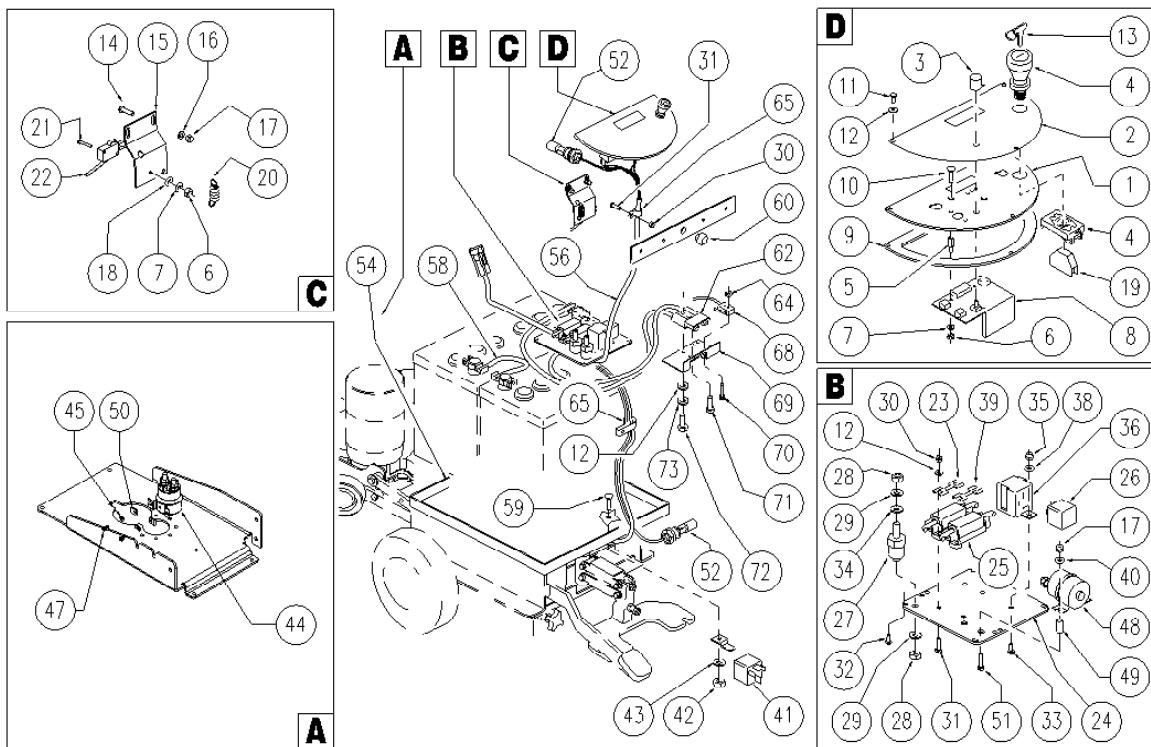
Ref.	Part N.	Description	Quantity	Validity From	Validity To
1	3TBFX00308	TUBE L=580MM	1		
2	3FSVR00091	CLAMP 14-24	4		
3	3MLML00002	SPRING	2		
5	3MEEV00018	SOLENOID VALVE	1		
6	3VTRS00516	WASHER D. 5 INX	2		
7	3VTVT48694	SCREW TCB TC 5 X12 UNI 9707 TZ	2		
8	3RCVR00536	CONNECTOR	1		
9	3RCGR00065	TAP F/F 1/2"	1		
11	3RCDS49622	CONNECTOR OCC 1/2 - 1/2M	1		
12	3VTRS00142	WASHER BONDER 1/2"	2		
13	3MPVR05221	FILTER	1		
14	3LAFN05902	LEVER	1		
15	3VTRS00251	WASHER 4-16 INOX A2	1		
16	3VTVT01316	SCREW TC+ M3-16	1		
17	3TBFX00309	TUBE FLEX D.10X3 L=155MM	1		
18	3GUGO00268	GASKET	1		
19	3RCVR00353	CAP 1/2"G X ELETTR. ACL	1		
20	3MECB00916	WIRING	1		
21	3FSVR00032	CLAMP	1		

## Electri. Instal.



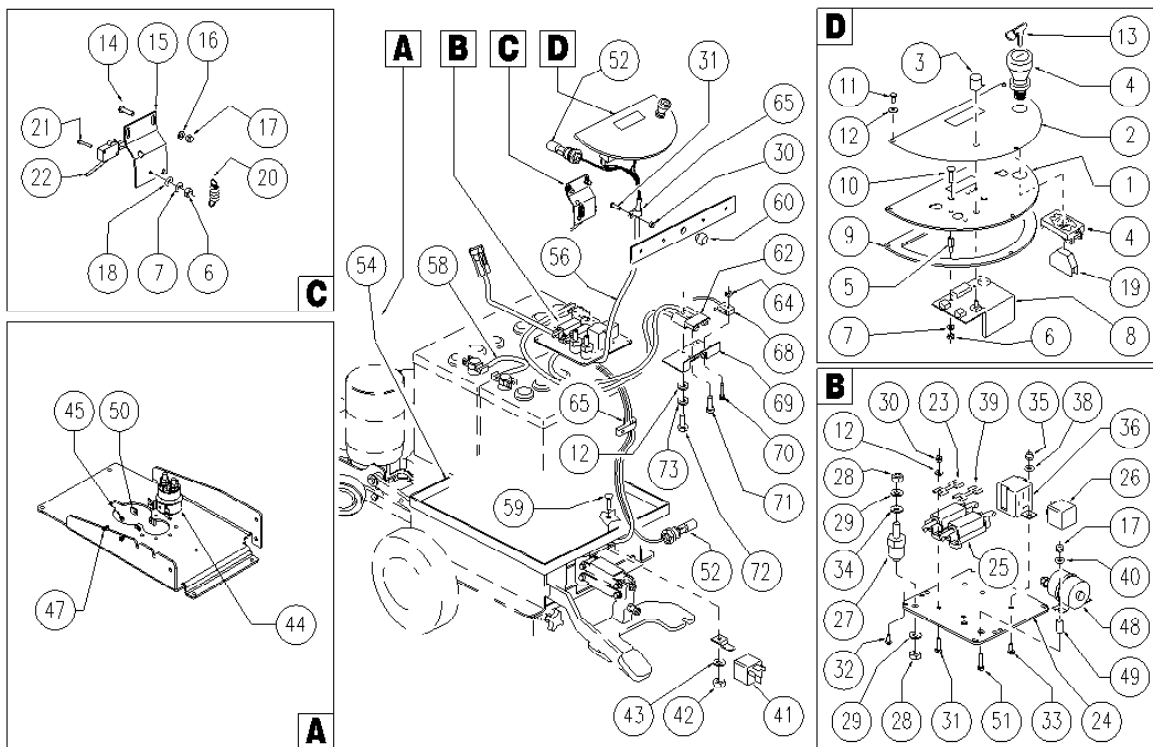
Ref.	Part N.	Description	Quantity	Validity From	Validity To
1	3LAFN06288	SUPPORT	1		
2	3ETET01415	LABEL	1		
3	3MEVR01666	KNOB	1		
4	3MECI00323	BUTTON	1		
5	3VTVR00481	INSERT	3		
6	3VTDD21115	NUT M 3 INOX	5		
7	3VTRS00268	WASHER D.3	5		
8	3MECE00465	BOARD CT40-70-90	1		
9	3GUGO38417	GASKET	1		
10	3VTVT00865	SCREW TSP-TC M 3X 6 UNI7688 INX	3		
11	3VTVT37012	SCREW M 4X 10 TCB-TC INX	3		
12	3VTRS00515	WASHER D. 4 INX	10		
13	3CHVR00051	KEY	1		
14	3VTVT07725	SCREW TE 5X16 UNI5739 INX	2		
15	3LAFN05904	PLATE MICRO LEVA	1		
16	3VTRS00516	WASHER D. 5 INX	2		
17	3VTDD01693	NUT M 5 INX	6		
18	3VTRS21116	WASHER D. 3 INX	2		
19	3MECI00403	CONTACT	1		
20	3MLML34726	SPRING TR E350 N	1		

## Electri. Instal.



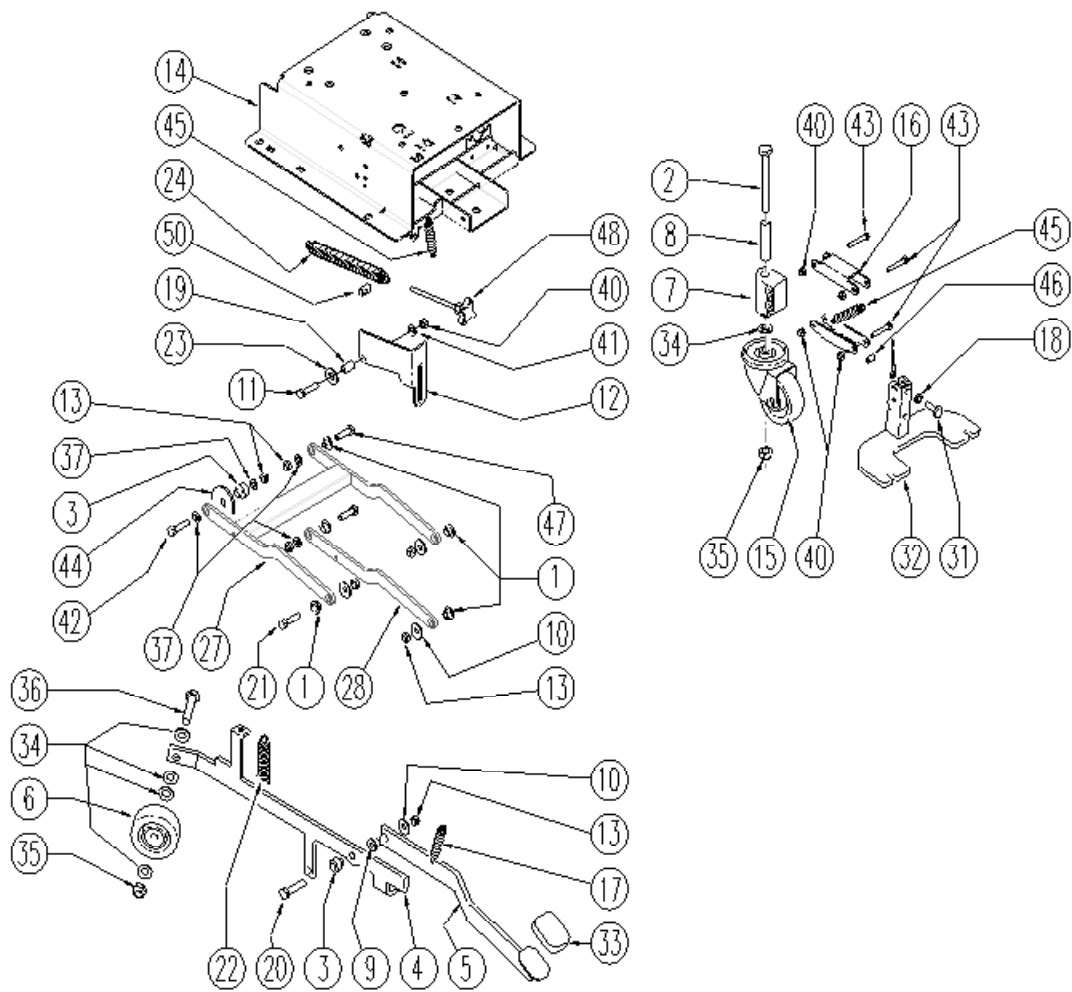
21	3VTVT01316	SCREW TC+ M3-16	2	
22	3MECI36393	MICROSWITCH TRZ. DRW	1	
23	3MEVR02887	FUSE 40A NST.	1	
24	3LAFN06822	PLATE	1	
25	3MEVR01332	FUSE-HOLDER	2	07/2009
25	3MEVR31036	FUSE-HOLDER	2	07/2009
26	3MECE00139	RELAY 24V	1	
27	3MEVR01116	SUPPORT 120 A	2	
28	3VTDD15521	NUT M 8 INX A2 UNI 5588	4	
29	3VTRS01080	WASHER D. 8 GRW	4	
30	3VTDD15925	NUT M 4 INX	5	
31	3VTVT00704	SCREW TE M 4X 16 UNI5739 INOX	5	
32	3VTVT01580	SCREW TC M5X10 UNI7687 INOX	4	05/2009
32	3VTVT07521	SCREW TCB 5X10	4	05/2009
33	3VTVT21096	SCREW TE M 4X 10 INX	1	
34	3VTRS13947	WASHER D. 8 INX UNI 6592	3	
35	3VTDD00147	NUT M 4 INX U.5588	1	
36	3METT00053	BLOCK	1	
38	3VTRS13750	WASHER D. 5X14 INX	1	
39	3MEVR00604	FUSE	1	
40	3VTRS15958	WASHER D. 5 X15 UNI 6593	4	
41	3MECI00005	RELAY 24V 10/20A	1	
42	3VTDD01694	NUT M 6 INX	1	

## Electri. Instal.



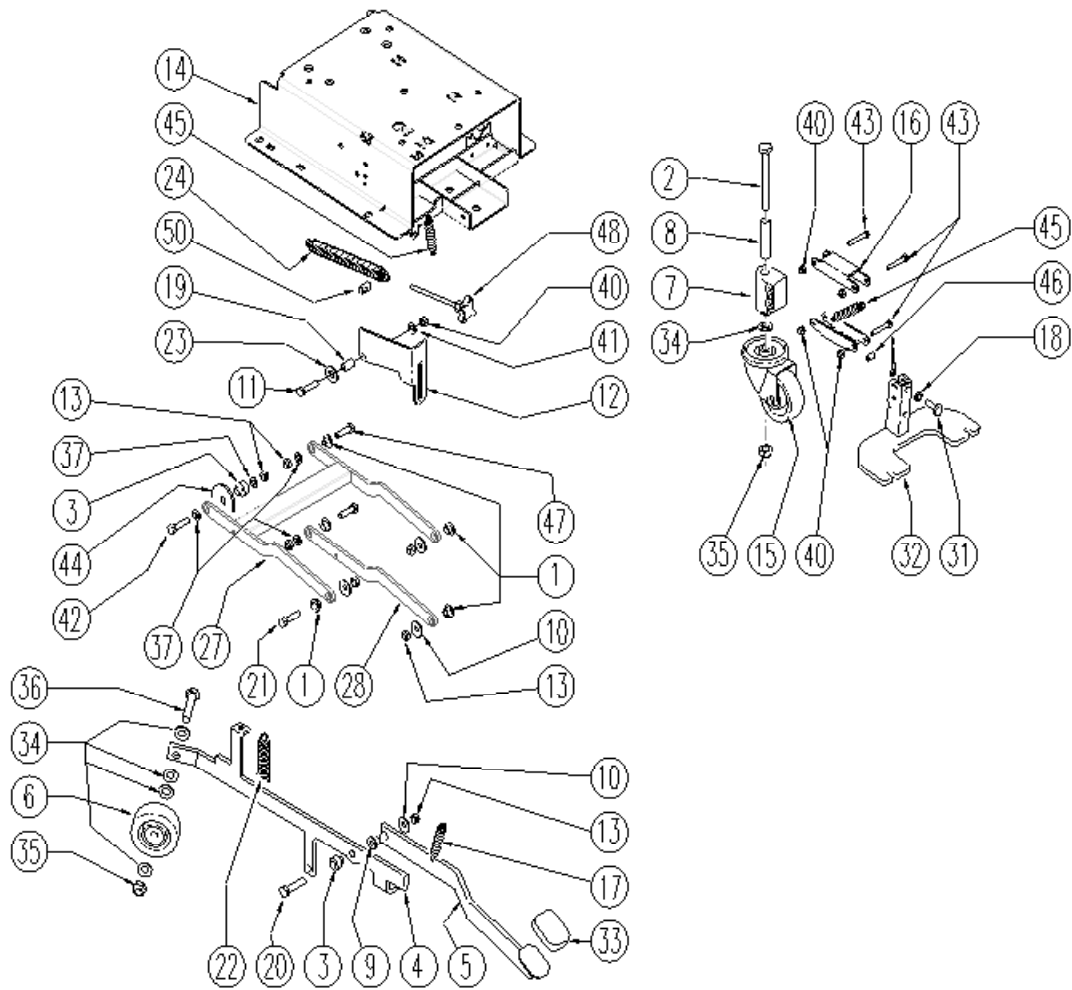
43	3VTRS00245	WASHER D.6 UNI 6592 INOX	1
44	3METT45116	CONTACTOR 24V T106 P	1
45	3VTRS00516	WASHER D. 5 INX	2
47	3VTVT48694	SCREW TCB TC 5 X12 UNI 9707 TZ	2
48	3METT45116	CONTACTOR 24V T106 P	1
49	3LAFN31098	SPACER S. BLOCK B 450	2
50	3MLML00002	SPRING	2
51	3VTVT00399	SCREW TE M5x30 UNI 5739	2
52	3MECI00516	SENSOR	2
54	3LAFN35588	BATTERY SUPPORT	1
56	3MECB01035	ELECTRI. INSTAL. CT 40-70-90	1
58	3MEVR34820	WIRING B 450 BT	1
59	3VTVT01676	SCREW TSTC UNI 7688 M6X16	1
60	3MPVR00043	CAP	1
62	3MEVR01079	PLUG	1
64	3VTDD08634	NUT M2	2
65	3FSVR00099	CLAMP	2
68	3MECI00334	MICROSWITCH V4	1
69	3LAFN06409	SUPPORT	1
70	3VTVT00671	SCREW TC- M.2-16 OTTONE	2
71	3VTVT00872	SCREW TSP+ 2.9X13 AUTOFIL. INOX	1
72	3VTVT00814	SCREW TE M.4-25	2
73	3VTRS15913	WASHER	2

# Frame



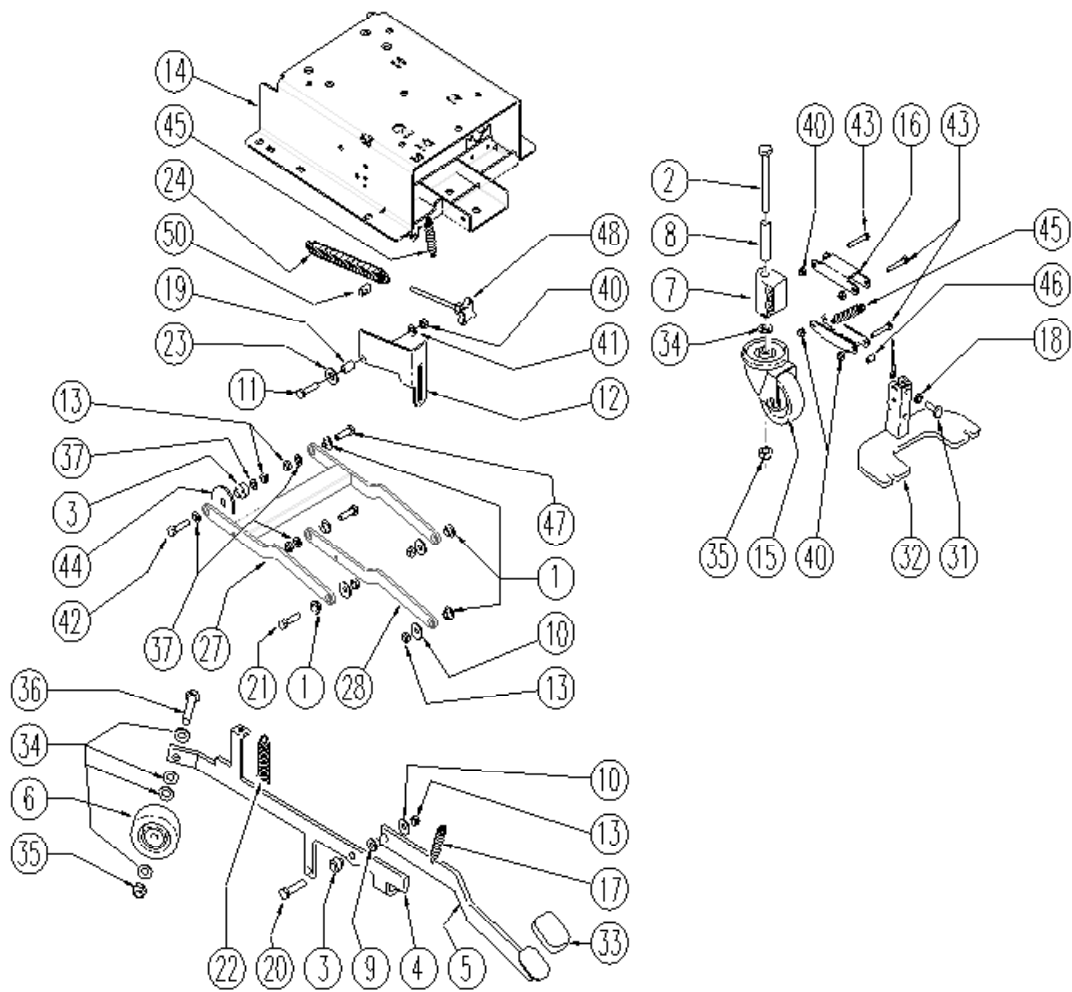
Ref.	Part N.	Description	Quantity	Validity From	Validity To
1	3LAFN06391	BUSHING	5		
2	3VTVT24212	SCREW TE M 12X100 UNI 5737 INOX	1		
3	3LAFN04190	BUSHING	2		
4	3LAFN06359	LEVER	1		
5	3LAFN06417	LEVER	1		01/2009
5	3LAFN07602	LEVER	1	01/2009	
6	3RTRT49171	CASTER D. 80-12	1		
7	3MPVR04734	BLOCK	1		
8	3LAFN04188	PIN	1		
9	3LAFN51068	BUSHING	1		
10	3VTRS13946	WASHER D. 8 X24 INX UNI 6593	4		
11	3VTVT00161	SCREW TE M6X20	1		
12	3LAFN10124	PLATE	1		
13	3VTDD01695	NUT M 8 INX	7		
14	3LAFN07293	BASE	1		
15	3RTRT00276	SMALL WHEEL	1		05/2008

# Frame



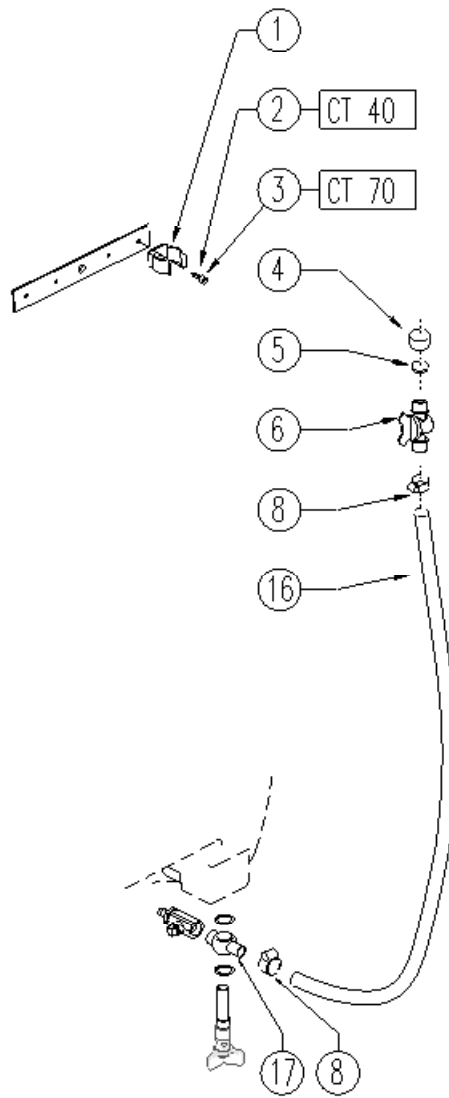
15	3RTRT00518	WHEEL D.80	1	05/2008
16	3LAFN05853	LEVER ARM	2	
17	3MLML34726	SPRING TR E350 N	1	
18	3VTDD15521	NUT M 8 INX A2 UNI 5588	1	
19	3LAFN03840	BUSHING	1	
20	3VTVT15917	SCREW TE M 8X50 INOX A2 UNI	1	
21	3VTVT15907	SCREW TE 8X25 UNI5739 INX	3	
22	3MLML00310	SPRING	1	01/2008
22	3MLML00313	SPRING	1	05/2008
22	3MLML00313	SPRING	1	01/2008 05/2008
23	3VTRS00274	WASHER NYLON 66 D.8,4-17-2 UNI	1	
24	3MLML31130	SPRING D. 17.5 X110 N38	1	
27	3LAFN06388	UPPER ARM HEAD	1	
28	3LAFN06389	ARM	1	
31	3VTVT00447	SCREW TE 8X25 UNI5739	1	
31	3VTVT00908	GRUB SCREW M.8-25 PIANO	1	04/2007
32	3LAFN06355	PLATE SQUEEGEE	1	04/2009

# Frame



32	3LAFN07560	PLATE	1	04/2009
33	3MPVR05186	COVER	1	
34	3VTRS00312	WASHER D.13 x24 INOX	5	
35	3VTDD00176	NUT M.12 INOX	2	
36	3VTVT00836	SCREW TE M12-60 INOX	1	
37	3VTRS13947	WASHER D. 8 INX UNI 6592	4	
40	3VTDD01694	NUT M 6 INX	5	
41	3VTRS00245	WASHER D.6 UNI 6592 INOX	1	
42	3VTVT00410	SCREW TE M8x35 UNI5739 INOX	1	
43	3VTVT15145	SCREW TE 6X40 UNI5739 INX	4	
44	3MPVR05134	GASKET D.60 FORO D.12 SP.2	1	
45	3MLML00303	SPRING FLAP	2	
46	3LAFN03742	SPACER	1	06/2008
46	3LAFN06898	SPACER 6,1-9 h25	1	06/2008
47	3VTVT13937	SCREW TE M 8X 30 INX UNI 5739	2	
48	3VTVR35749	HANDWHEEL M 6MAX110 D.35	1	
50	3LAFN35747	SPRING SUPPORT LAV. E/B 450	1	

# Kit



## Drain Hose Complete Kit - 3KTRI01870

Ref.	Part N.	Description	Quantity	Validity From	Validity To
1	3MPVR05280	CLIP M25	1		
2	3VTVT19236	SCREW TCEI 5X20 UNI 5931	1		
3	3VTVT01327	SCREW TCEI 5X25 UNI5931	1		
4	3RCVR00353	CAP 1/2"G X ELETTR. ACL	1		
5	3GUGO00268	GASKET D.21 SP.3 GOMMA	1		
6	3RCVR00590	CONNECTOR 1/2 M RESCA 15	1		
8	3FSVR00428	CLAMP D. 12-20	4		
16	3TBBP00435	TUBE D.16	1		
17	3RCVR00747	CONNECTOR G 1/2	1		

