

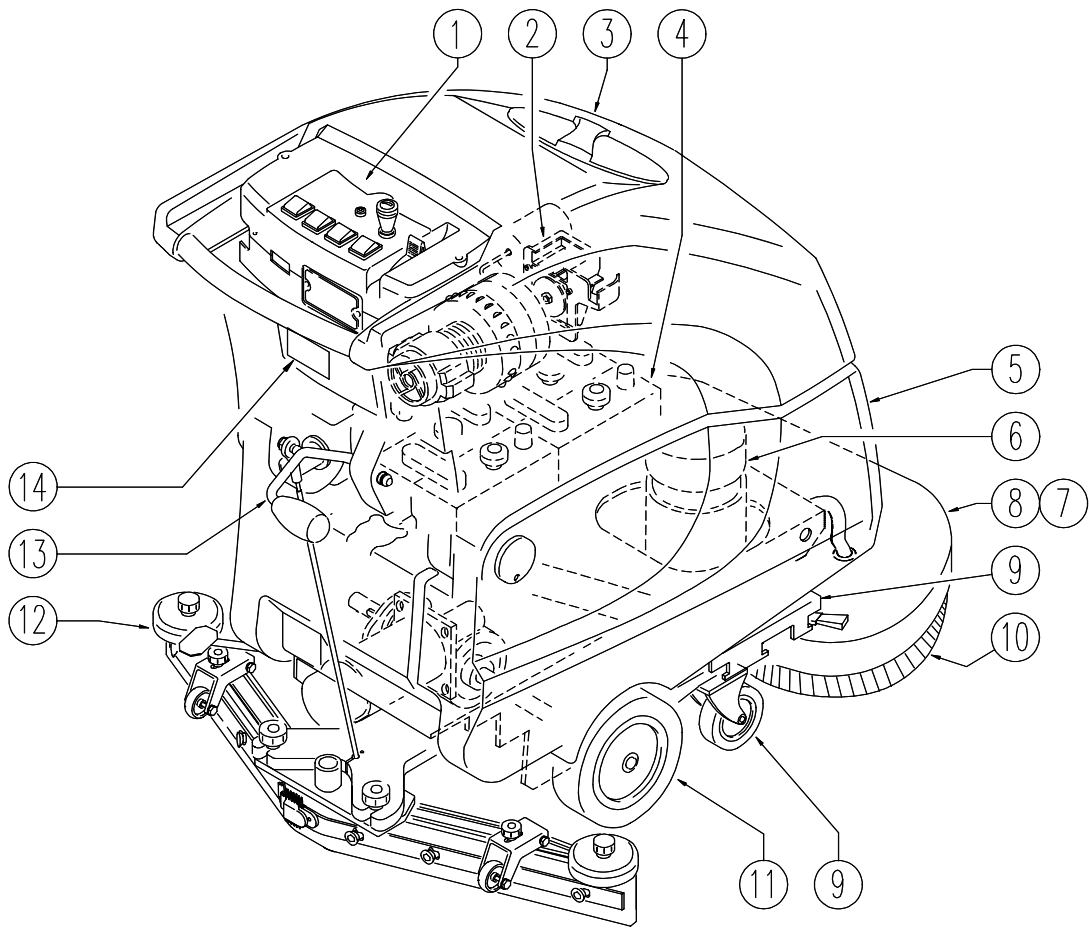
# PARTS MANUAL MANUEL DE PIÈCES



## HURRICANE 600 XTT

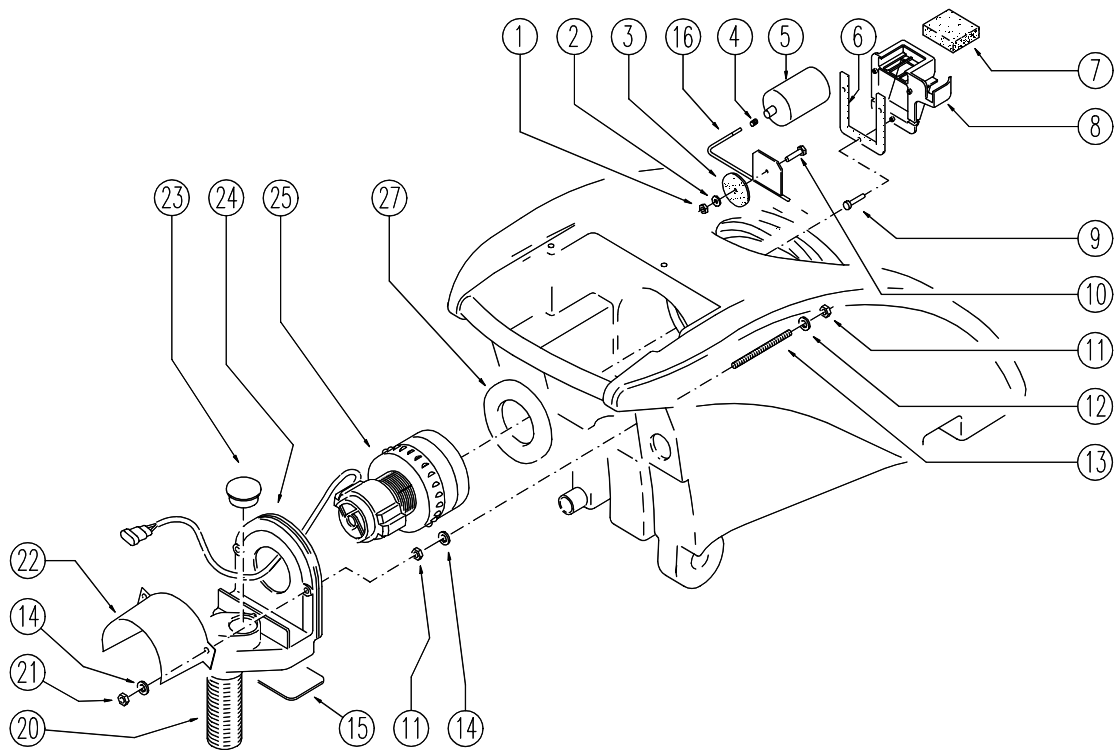
**AUTOMATIC SCRUBBER  
AUTO RÉCUREUSE**

Code: 19322  
Edition: March 2004



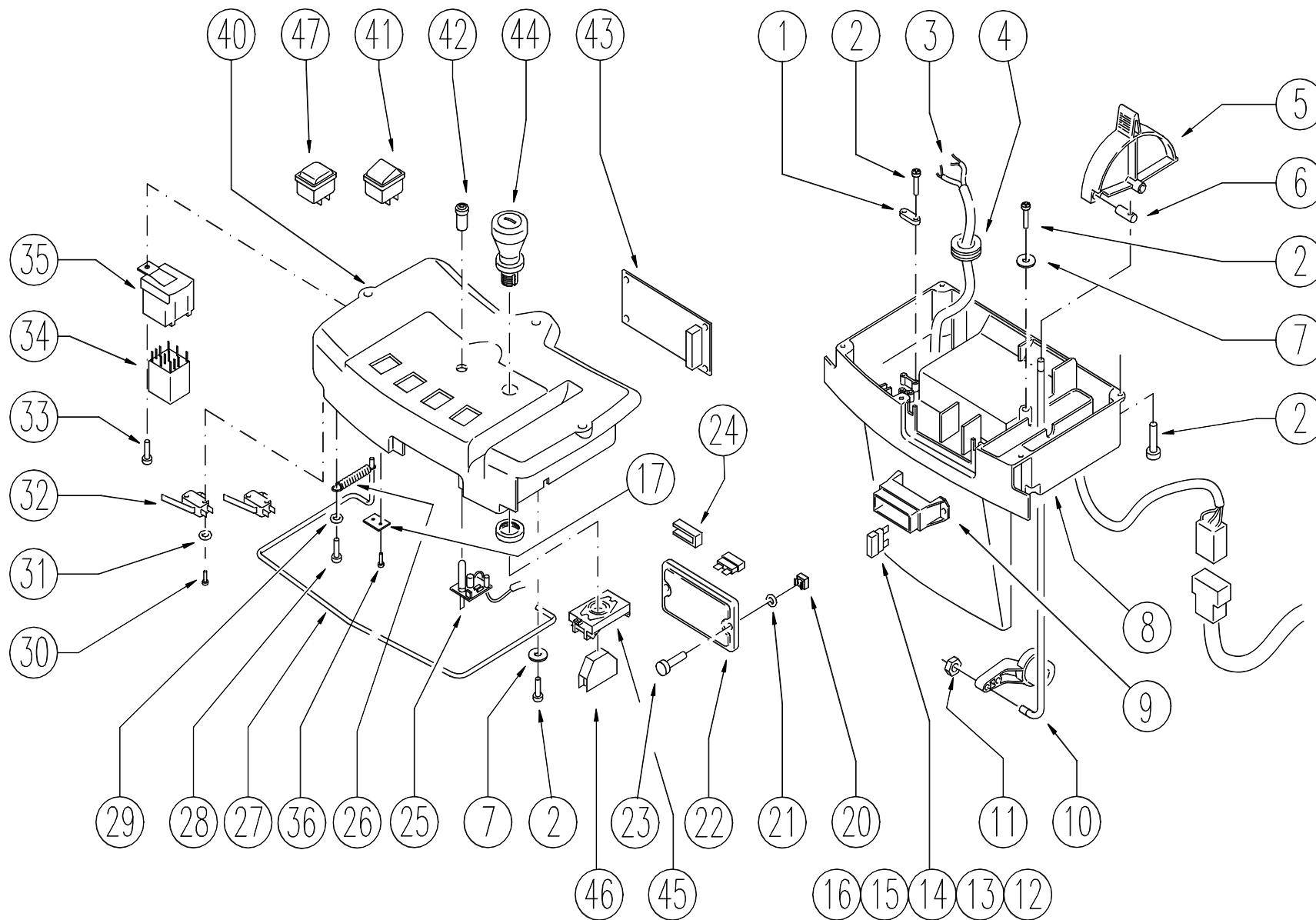
PAGE	REF.	DESCRIPTION	DESCRIPTION	QT
3	1	CONTROL PANEL	TABLEAU DE COMMANDE	
	2	SUCTION UNIT	GROUPE ASPIRATION	
	3	TANK	RESERVOIR	
	4	ELECTRIC UNIT	GROUPE ELECTRIQUE	
	5	TANK	RESERVOIR	
	6	HEAD: MOTOR	TETE: MOTEUR	
	7	HEAD: FLAP	TETE: FLAP	
	8	HEAD: AXLE PULLEY	TETE: ESSIEU POULIE	
	9	FRAME - TRANSPORT SYSTEM	CADRE	
	11	DRIVE UNIT	GROUPE TRACTION	
	12	SQUEEGEE	SQUEEGEE	
	13	SQUEEGEE SUPPORT	SUPPORT SUCEUR	
		ELEC. WIRING DIAGRAM	SCHEMA ELECTRIQUE	
		ELEC. SCHEMATIC DIAGRAM	SCHEMA ELECTRIQUE	

DESCRIPTION: SUCTION UNIT / UNITÉ D'ASPIRATION



REF.	CODE	DESCRIPTION	DESCRIPTION	QT
1	305087	NUT	ECROU	1
2	306038	WASHER	RONDELLE	1
3	303346	GASKET	JOINT	1
4	304388	INSERT	SEGMENT	1
5	318393	FLOAT	FLOTTEUR	1
6	303429	GASKET	JOINT	1
7	303345	FILTER	FILTRE	1
8	317492-1	SUPPORT	SUPPORT	1
9	304095	SCREW	VIS	3
10	304310	SCREW	VIS	1
11	305017	NUT	ECROU	4
12	306071	WASHER	RONDELLE	2
13	304276	SCREW	VIS	2
14	306022	WASHER	RONDELLE	4
15	317554	BULKHEAD	CLOISON	1
16	309827	ROD	TIGE	1
20	319248	PIPE	TUBE	1
21	305041	NUT	ECROU	2
22	303514	SUCTION CONVEYOR	CONVOYEUR ASPIRATION	1
23	314240	CAP	BOUCHON	1
24	303297	CAP / SHELL	PROTECTEUR	1
25	302303-J	EXHAUSTER / ASPIRATOR	ASPIRATEUR / SUCEUSE	1
	20117	VAC MOTOR LAMB 3 STAGE	MOTEUR 3 ETAPES	1
27	303033	GASKET	JOINT	1

DESCRIPTION: CONTROL PANEL / TABLEAU DE COMMANDE

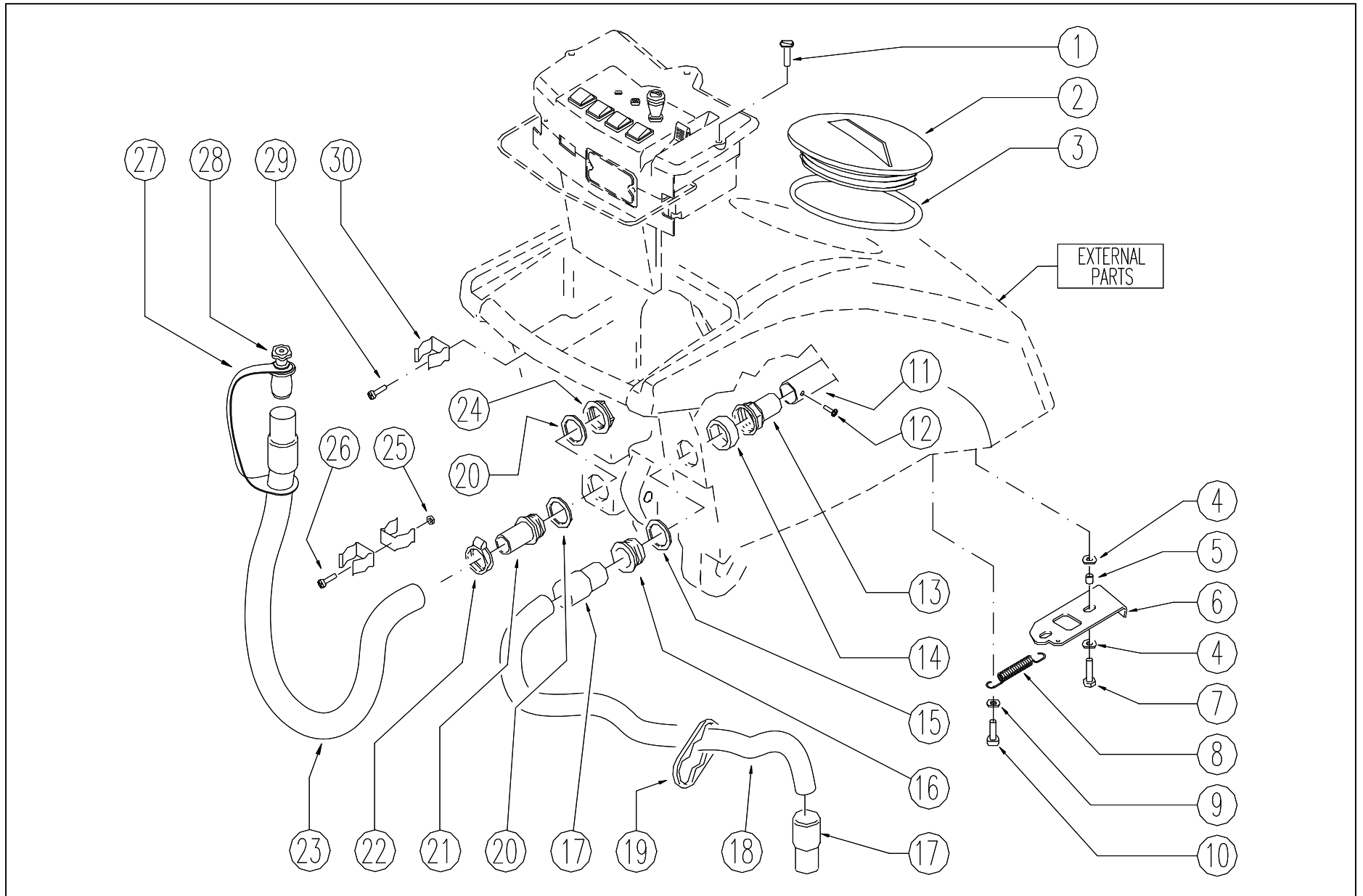


DESCRIPTION: CONTROL PANEL / TABLEAU DE COMMANDE

REF.	CODE	DESCRIPTION	DESCRIPTION	QT
	<b>323715-4</b>	<b>PREASSEMBLED CTRL PANEL</b>	<b>GROUPE TABLEAU DE COMMANDE</b>	<b>1</b>
1	309908	CABLE CLAMPING STAPLE	BARRETTE FIXE-CABLE	1
2	304187	SCREW	VIS	8
3	323733	WIRING	CABLAGE	1
4	323695	FAIRLEAD	PASSE-CABLE	1
5	317490-1	LEVER	LEVIER	1
6	309808	ARTICULATION	JOINT	1
7	306038	WASHER	RONDELLE	2
8	317489-1	CONTROL PANEL	TABLEAU DE COMMANDE	1
9	323894	FUSE CARRIER	PORTE-FUSIBLES	1
10	339194	ROD	TIGE	1
11	305041	NUT	ECROU	1
12	323144	FUSE	FUSE	2
13	323148	FUSE	FUSE	2
14	323148	FUSE	FUSE	2
15	323144	FUSE	FUSE	2
16	323148	FUSE	FUSE	1
17	309955	SUPPORT	SUPPORT	1
20	305077	NUT	ECROU	2
21	303116	GASKET	JOINT	2
22	317149-1	LID	COUVERCLE	1
23	304377	SCREW	VIS	2
24	323209	FUSE TWEEZERS	PINCETTE POUR FUSIBLES	1
25	323031	BOARD / CARD	FICHE	1
26	313116	SPRING	RESSORT	1
27	309795	LEVER	LEVIER	1
28	304215	SCREW	VIS	3
29	306019	WASHER	RONDELLE	1
30	304214	SCREW	VIS	6
31	306009	WASHER	RONDELLE	4
32	323109	MICROSWITCH	MICRO-INTERRUPTEUR	2
33	304226	SCREW	VIS	1
34	323719	RELAIS	RELAIS	1
35	323722	RELAIS SUPPORT	SUPPORT RELAIS	1
36	304327	SCREW	VIS	2
40	317488-1	CONTROL PANEL	TABLEAU DE CONTROLE	1
41	323183	SWITCH	INTERRUPTEUR	2
42	323031-1	REFLEX REFLECTOR	PASTILLE REFLECHISSANTE	1
43	323731-2	GEARCASE/BOARD	FICHE DE CONTROLE	1
44	323954	EMERGENCY SWITCH	BOUTON D'URGENCE	1
45	323955	CONTACT CARRIER	PORTE-CONTACTS	1
46	323956	CONNECTION	CONTACT	2
47	323570	SWITCH COVER	COUVRE-INTERRUPTEUR	2



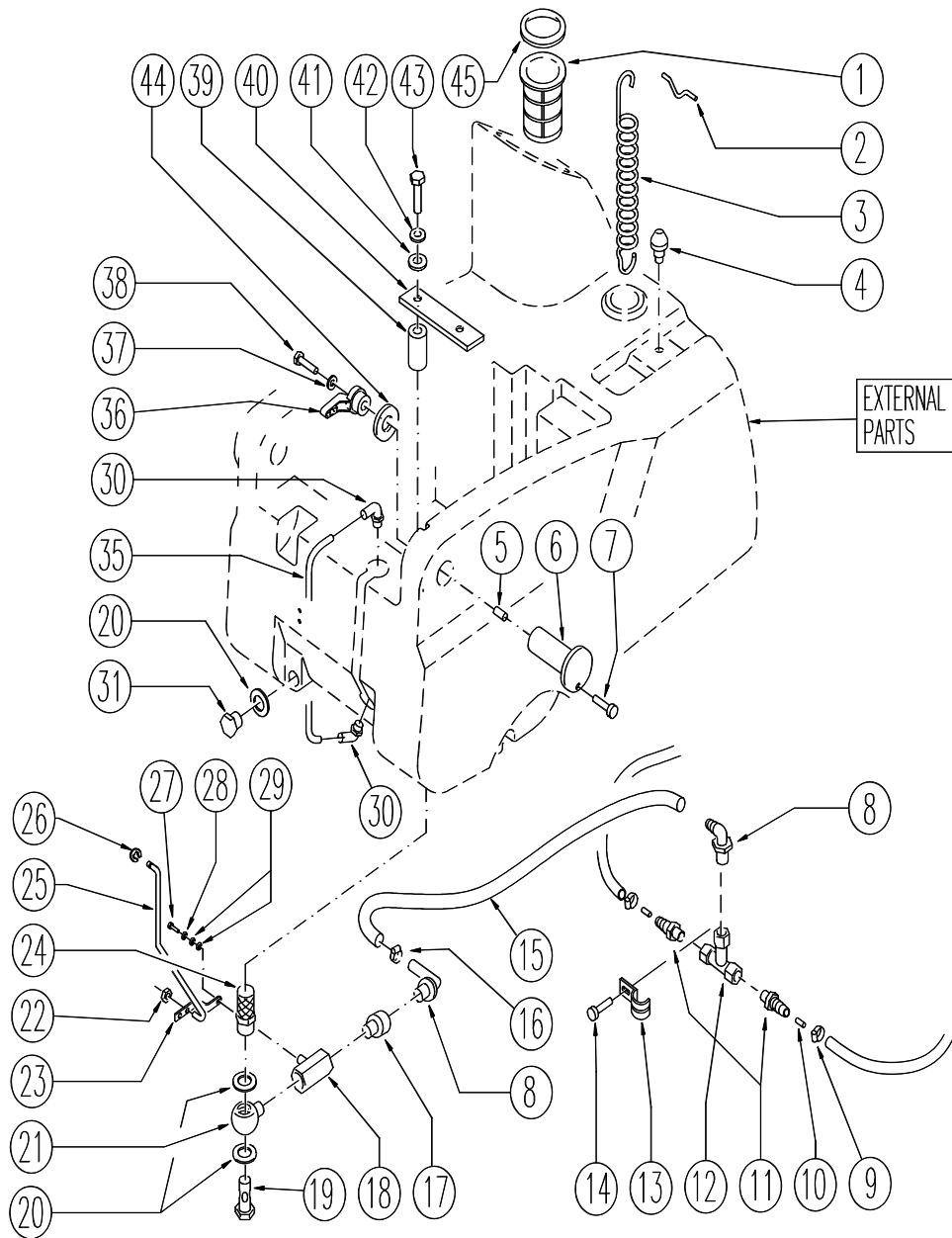
DESCRIPTION: TANK / RÉSERVOIR



DESCRIPTION: TANK / RÉSERVOIR

REF.	CODE	DESCRIPTION	DESCRIPTION	QT
1	304377	SCREW	VIS	2
2	317468	COVER	COUVERCLE	1
3	303487	GASKET	JOINT	1
4	306025	WASHER	RONDELLE	4
5	307410	SPACER	ENTRETOISE	2
6	339196	HANDLE	POIGNEE	1
7	304203	SCREW	VIS	2
8	313013	SPRING	RESSORT	1
9	306009	WASHER	RONDELLE	1
10	304213	SCREW	VIS	1
11	307420	PIPE	TUBE	1
12	304325	SCREW	VIS	1
13	318349	CONNECTOR	RACCORD	1
14	307546	SPACER	ENTRETOISE	1
15	303416	GASKET	JOINT	1
16	318355	SUCTION OPENIG	SUCEUR	1
17	314003	SLEEVE	MANCHON	2
18	319021	PIPE	TUBE	1
19	303437	PLAQUE	PLATINE	1
20	303441	GASKET	JOINT	2
21	318350	CONNECTOR	RACCORD	1
22	314063	CLAMP	BANDE	1
23	319113-5	PIPE	TUBE	1
24	305075	NUT	FRETTE	1
25	305044	NUT	FRETTE	2
26	304032	SCREW	VIS	2
27	303577	CLAMP	BANDE	1
28	318395	CAP	BOUCHON	1
29	304371	SCREW	VIS	2
30	313118	DUCT LOCK	FIXE-TUYAU	3

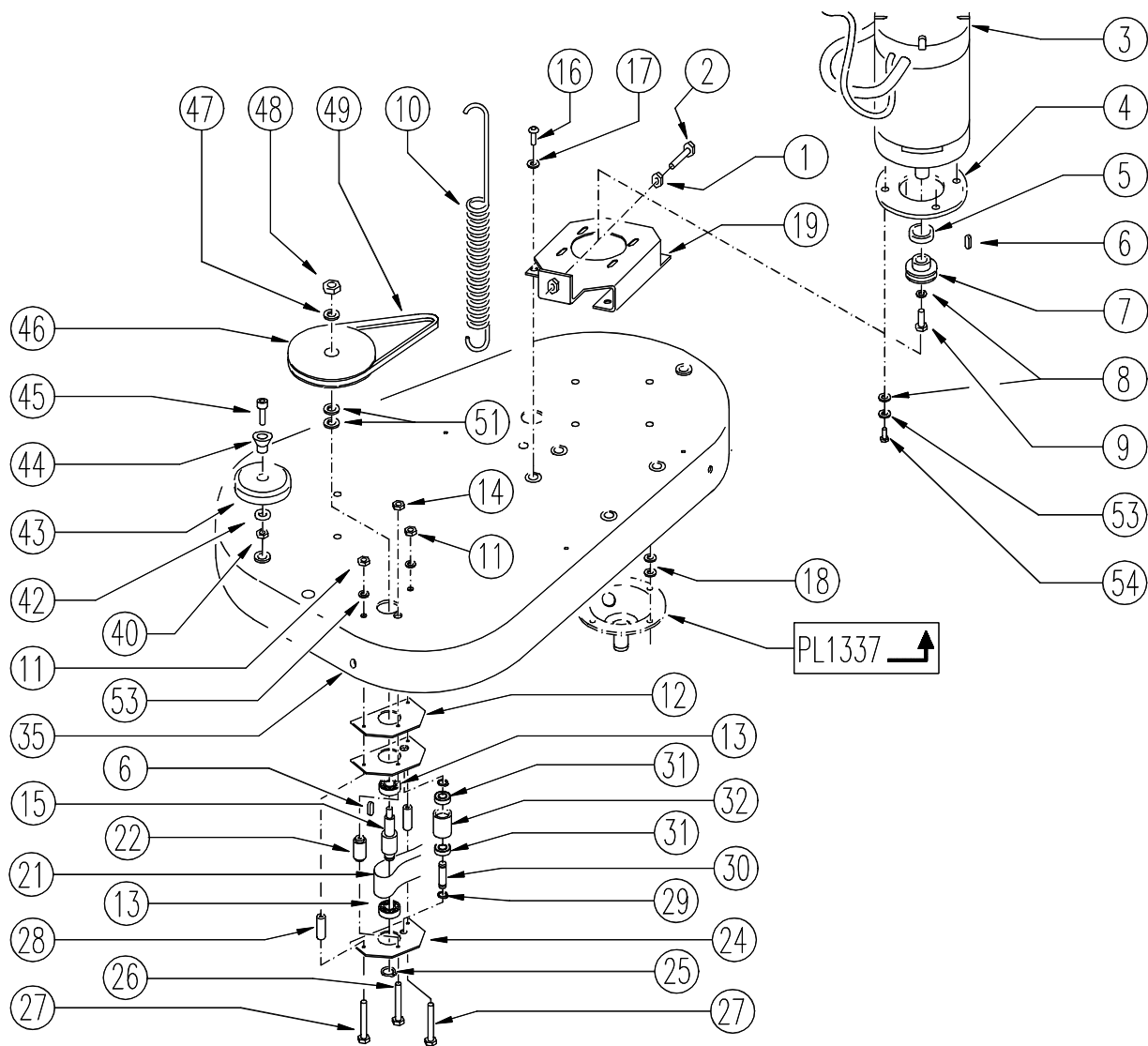
DESCRIPTION: TANK / RÉSERVOIR



DESCRIPTION: TANK / RÉSERVOIR

REF.	CODE	DESCRIPTION	DESCRIPTION	QT
1	303526	FILTER	FILTRE	1
2	339197	HOOKING	CROCHET	1
3	313102	SPRING	RESSORT	1
4	307529	PIN	PIVOT	1
5	304171	INSERT	SEGMENT	2
6	317493-1	PIN	PIVOT	2
7	304371	SCREW	VIS	2
8	318341	UNION / CONNECTOR	RACCORD	2
9	314109	CLAMP	BANDE	2
10	304170	INSERT	SEGMENT	2
11	318150	UNION / CONNECTOR	RACCORD	2
12	318193	UNION / CONNECTOR	RACCORD	1
13	323381	CLAMP	BANDE	1
14	304062	SCREW	VIS	1
15	319312	HOSE	TUYAU	1
16	314007	CLAMP	BANDE	1
17	318109	REDUCTION	REDUCTION	1
18	318407	TAP	ROBINET	1
19	318257-L	SCREW	VIS	1
20	303536	WASHER	RONDELLE	3
21	318256	ARTICULATION	JOINT	1
22	305041	NUT	ECROU	3
23	339171	LEVER	LEVIER	1
24	318405	FILTER	FILTRE	1
25	339195	ROD	TIGE	1
26	311113	SEEGER	SEEGER	1
27	304341	SCREW	VIS	1
28	306031	WASHER	RONDELLE	1
29	306041	WASHER	RONDELLE	2
30	318409	UNION / CONNECTOR	RACCORD	2
31	318215	CAP	BOUCHON	1
35	319338	HOSE	TUYAU	1
36	304135	SCREW	VIS	2
37	306015	WASHER	RONDELLE	3
38	317491-1	LEVER	LEVIER	1
39	307512	SPACER	ENTRETOISE	2
40	339098	BRACKET	ETRIER	1
41	306003	WASHER	RONDELLE	2
42	306002	WASHER	RONDELLE	2
43	304143	SCREW	VIS	2
44	303588	GASKET	JOINT	2
45	303560	GASKET	JOINT	1
	300016	DRAIN HOSE-CLEAN WATER	BOYAU DE DECHARGE-EAU PROPRE	1

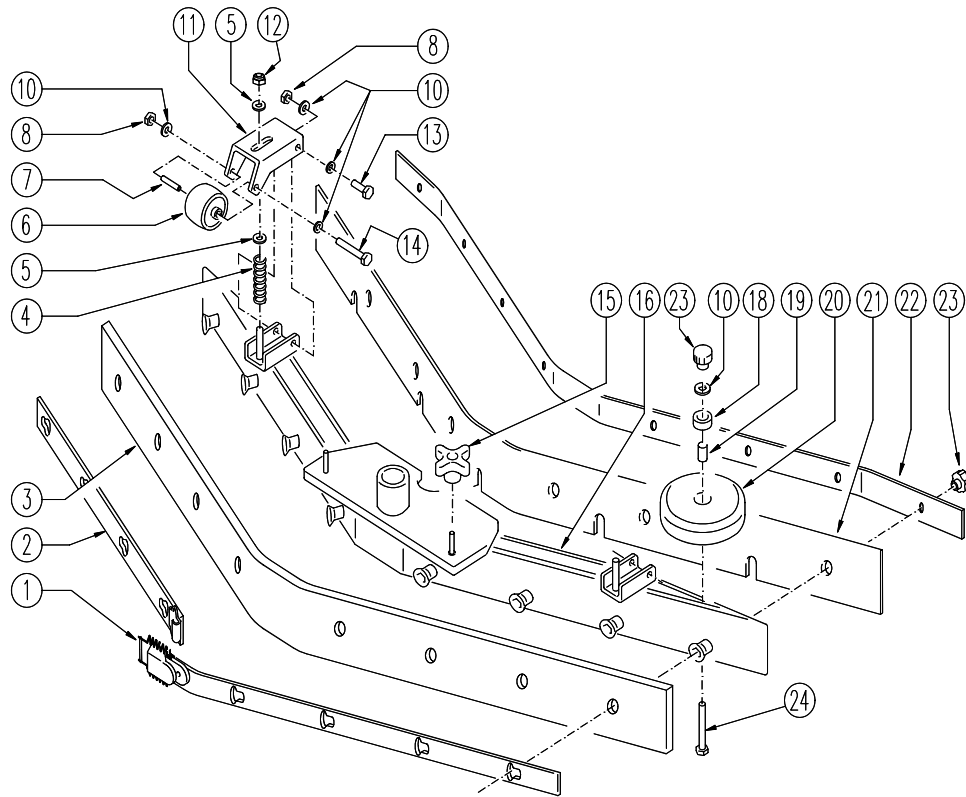
DESCRIPTION: HEAD: MOTOR / TETE : MOTEUR



DESCRIPTION: MOTOR / MOTEUR

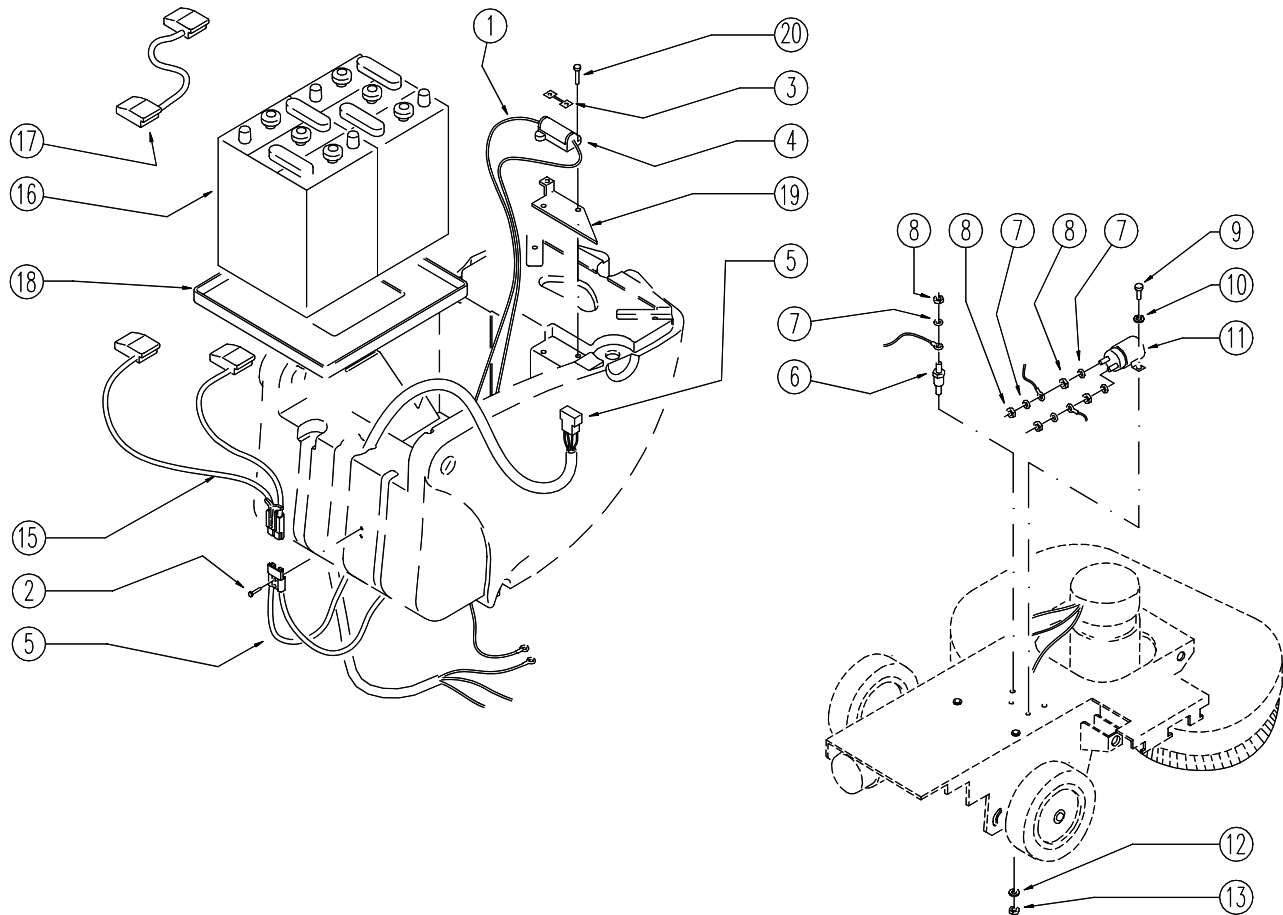
REF.	CODE	DESCRIPTION	DESCRIPTION	QT
1	305004	NUT	ECROU	1
2	304164	SCREW	VIS	1
3	302099	MOTOR	MOTEUR	1
4	309648	FLANGE	BRIDE	1
5	307536	SPACER	ENTRETOISE	1
6	311010	TANG / TONGUE	LANGUETTE	2
7	310049	PULLEY	POULIE	1
8	306039	WASHER	RONDELLE	5
9	304135	SCREW	VIS	1
10	313082	SPRING	RESSORT	1
11	305088	NUT	ECROU	2
12	303541	GASKET	JOINT	1
13	312029	BEARING	PALIER / ROULEMENT	2
14	305017	NUT	ECROU	1
15	307190	SHAFT	ARBRE	1
16	304039	SCREW	VIS	4
17	306093	WASHER	RONDELLE	4
18	306022	WASHER	RONDELLE	8
19	339127	SUPPORT	SUPPORT	1
21	316042	BELT	COURROIE	1
22	307545	SPACER	ENTRETOISE	1
24	339053	PLATE	PLAQUE	2
25	311100	RING	ANNEAU / BAGUE	1
26	304061	SCREW	VIS	1
27	304058	SCREW	VIS	2
28	307143	SPACER	ENTRETOISE	2
29	311095	RING	ANNEAU / BAGUE	2
30	311041	PIN / PLUG	GOUPILLE / FICHE	1
31	312003	BEARING	PALIER / ROULEMENT	2
32	310045	PULLEY	POULIE	1
35	339121	HEAD	TETE	1
40	305048	SCREW	VIS	3
42	306025	WASHER	RONDELLE	3
43	308040	WHEEL / SMALL WHEEL	ROUE	3
44	307390	BUSHING / BUSH	DOUILLE	3
45	304167	SCREW	VIS	3
46	310077	PULLEY	POULIE	1
47	306087	WASHER	RONDELLE	1
48	305039	NUT	ECROU	1
49	316010	BELT	COURROIE	1
51	306058	WASHER	RONDELLE	2
53	306023	WASHER	RONDELLE	8
54	304002	SCREW	VIS	4

DESCRIPTION: SQUEEGEE / SQUEEGEE



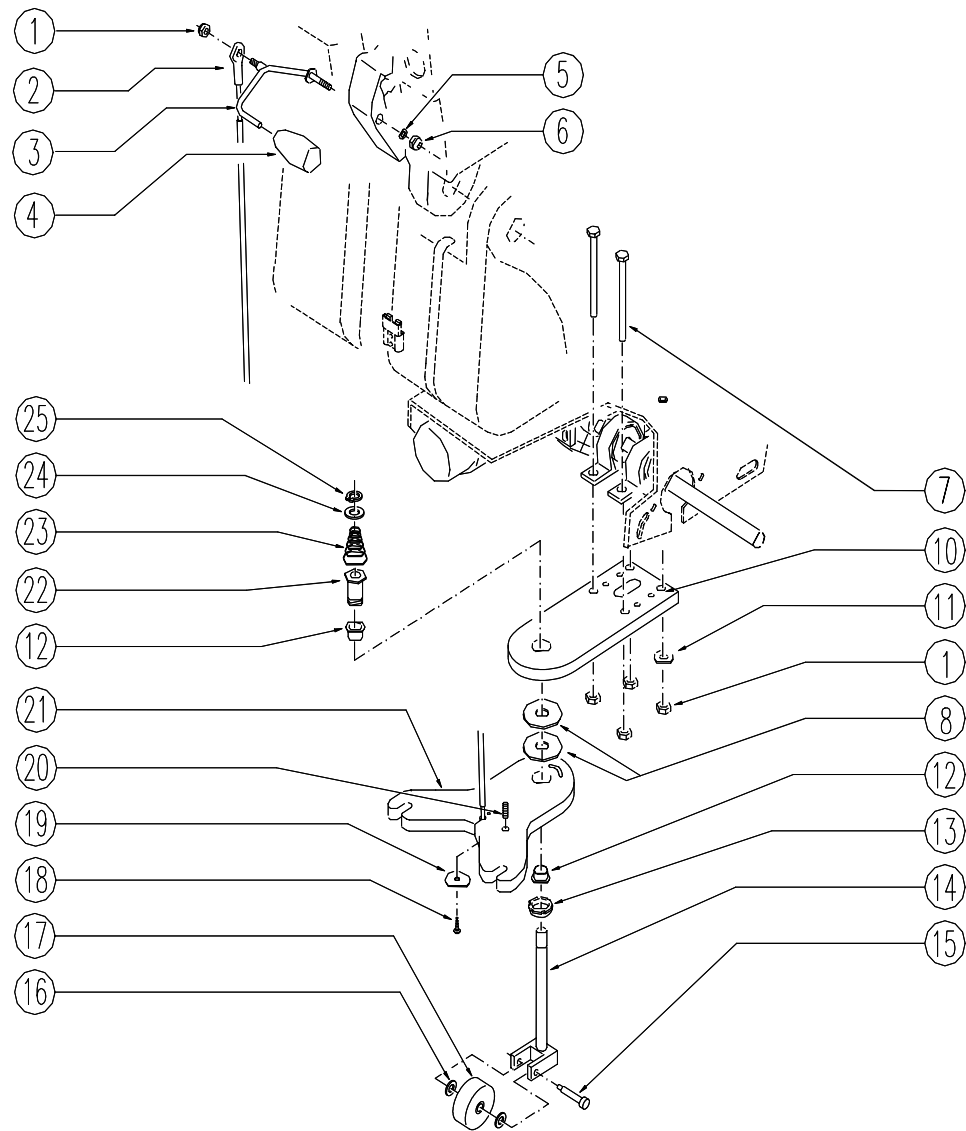
REF.	CODE	DESCRIPTION	DESCRIPTION	QT
	<b>339027</b>	<b>SQUEEGEE UNIT</b>	<b>GROUPE SUCEUR</b>	
1	339029	BLADE HOLDER	FIXE-LAME	1
2	339030	BLADE HOLDER	FIXE-LAME	1
3	303518	BLADE	LAME	1
4	313103	SPRING	RESSORT	2
5	306041	WASHER	RONDELLE	4
6	308058	WHEEL	ROUE	2
7	307526	SPACER	ENTRETOISE	2
8	305058	NUT	ECROU	6
10	306022	WASHER	RONDELLE	14
11	339033	SUPPORT	SUPPORT	2
12	305039	NUT	ECROU	2
13	304135	SCREW	VIS	4
14	304061	SCREW	VIS	2
15	320061	HANDLE	POIGNEE	2
16	339136	BODY	CORPS	1
18	317608	BUSHING/BUSH	DOUILLE	2
19	307065	SPACER	ENTRETOISE	2
20	308040	WHEEL	ROUE	2
21	303517	BLADE	LAME	1
22	339028	BLADE HOLDER	FIXE-LAME	1
23	320058	HANDLE	POIGNEE	10
24	304058	SCREW	VIS	2

## DESCRIPTION: ELECTRIC UNIT / GROUPE ÉLECTRIQUE



REF.	CODE	DESCRIPTION	DESCRIPTION	QT
1	323630	WIRING	CABLAGE	1
2	304016	SCREW	VIS	2
3	323696	FUSE	FUSIBLE	1
4	323697	FUSE CARRIER	PORTE-FUSIBLES	1
5	323629	WIRING	CABLAGE	1
6	323103	SUPPORT	SUPPORT	1
7	306002	WASHER	RONDELLE	5
8	305004	NUT	ECROU	5
9	304108	SCREW	VIS	2
10	306038	WASHER	RONDELLE	2
11	323001	REMOTE CONTROL SWITCH	TELE-INTERRUPTEUR	1
12	306087	WASHER	RONDELLE	1
13	305039	NUT	ECROU	1
15	323628	WIRING	CABLAGE	1
16	303122	BATTERY	BATTERIE	2
17	323838	BRIDGE / JUMPER	PONT	1
18	317162-1	PLATE	PLAT	1
19	339096	SUPPORT	SUPPORT	1
20	304316	SCREW	VIS	2

DESCRIPTION: SQUEEGEE SUPPORT / SUPPORT SUCEUR



DESCRIPTION: SQUEEGEE SUPPORT / SUPPORT SUCEUR

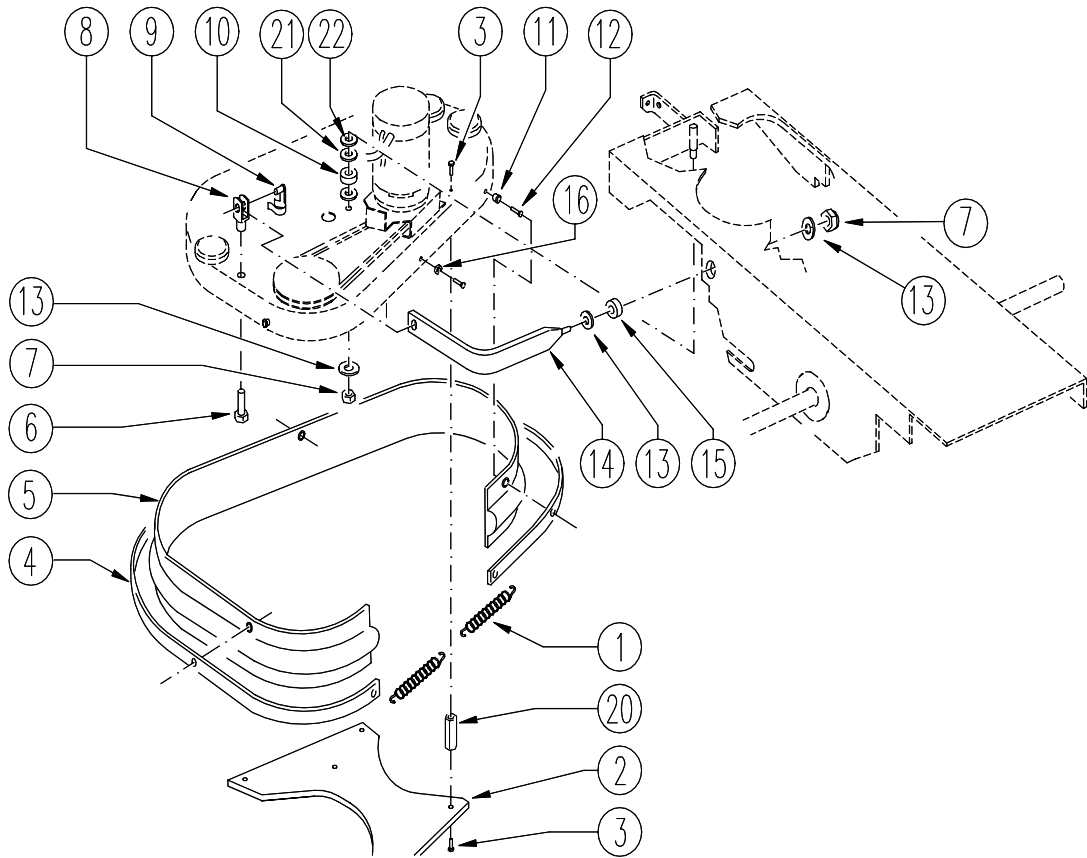
REF.	CODE	DESCRIPTION	DESCRIPTION	QT
1	305039	NUT	ECROU	5
2	314247	CABLE	CABLE	1
3	339036	LEVER	LEVIER	1
4	317614*	HANDGRIP	MANCHE	1
5	306050	WASHER	RONDELLE	1
6	305032	NUT	ECROU	1
7	304004	SCREW	VIS	4
8	306106	WASHER	RONDELLE	2
10	339032	SUPPORT	SUPPORT	1
11	306003	WASHER	RONDELLE	4
12	312035	BEARING	PALIER / ROULEMENT	2
13	305086	NUT	FRETTE	1
14	339170	SUPPORT	SUPPORT	1
15	304374	SCREW	VIS	1
16	306025	WASHER	RONDELLE	2
17	308043-1	WHEEL / SMALL WHEEL	ROUE	1
18	304319	SCREW	VIS	1
19	306084	WASHER	RONDELLE	1
20	311126	GRAIN	VIS SANS TETE	1
21	339031	PLATE	PLAQUE	1
22	307509	PIN	PIVOT	1
23	313126	SPRING	RESSORT	1
24	306112	WASHER	RONDELLE	1
25	311095	RING	ANNEAU / BAGUE	1

\* Not exactly as shown on the picture

**PART FOR THE HURRICANE 600XT**

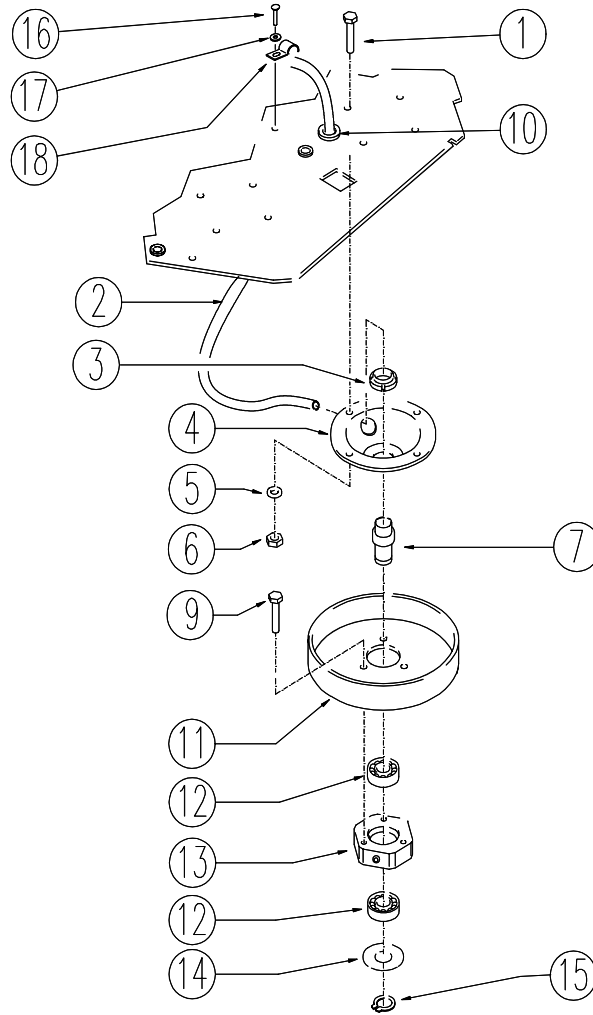
4	320007	HANDGRIP	MANCHE	1
---	--------	----------	--------	---

DESCRIPTION: HEAD FLAP / TETE FLAP



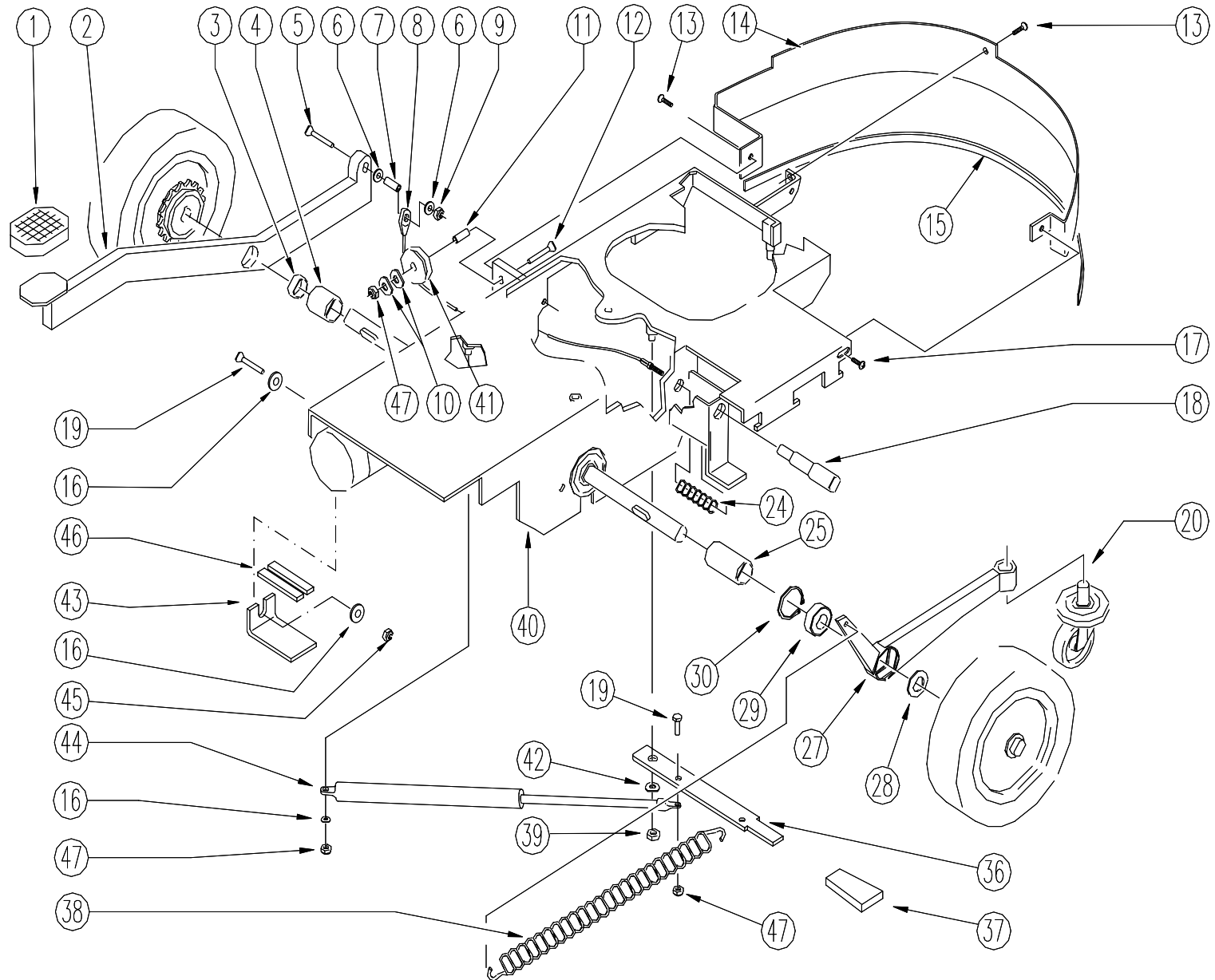
REF.	CODE	DESCRIPTION	DESCRIPTION	QT
1	313008	SPRING	RESSORT	2
2	303552	GUARD	PROTECTION	1
3	304006	SCREW	VIS	10
4	303539	FLAP PRESS	PRESSE-FLAP	1
5	303538	FLAP	FLAP	1
6	304134	SCREW	VIS	1
7	305039	NUT	ECROU	2
8	322008	FORK	FOURCHE	1
9	322010	BRACKET / CLASP	CLIP	1
16	305016	NUT	ECROU	1
20	314355	SPACER	ENTRETOISE	5
21	306062	WASHER	RONDELLE	2
22	306101	WASHER	RONDELLE	1
10	303209	RUBBER SHIM	CALE EN CAOUTCHOUC	1
11	307375	SPACER	ENTRETOISE	3
12	304367	SCREW	VIS	4
13	306041	WASHER	RONDELLE	3
14	339137	LEVER	LEVIER	1
15	307150	SPACER	ENTRETOISE	1

DESCRIPTION: AXLE PULLY / ESSIEU POULIE



REF.	CODE	DESCRIPTION	DESCRIPTION	QT
1	304105	SCREW	VIS	8
2	319329	HOSE	TUYAU	2
3	305049	NUT	FRETTE	2
4	309920	FLANGE	BRIDE	2
5	306003	WASHER	RONDELLE	8
6	305039	NUT	ECROU	8
7	307535	PIN	PIVOT	2
9	304119	SCREW	VIS	6
10	323694	FAIRLEAD	PASSE-CABLE	2
11	310047	PULLEY	POULIE	2
12	312025	BEARING	PALIER / ROULEMENT	4
13	314175	HEXAGON	HEXAGONE	2
14	303247	GUARD	PROTECTION	2
15	311096	SEEGER	SUCEUR	2
16	304079	SCREW	VIS	2
17	306031	WASHER	RONDELLE	2
18	323381	CLAMP	BANDE	2

DESCRIPTION: FRAME / CADRE



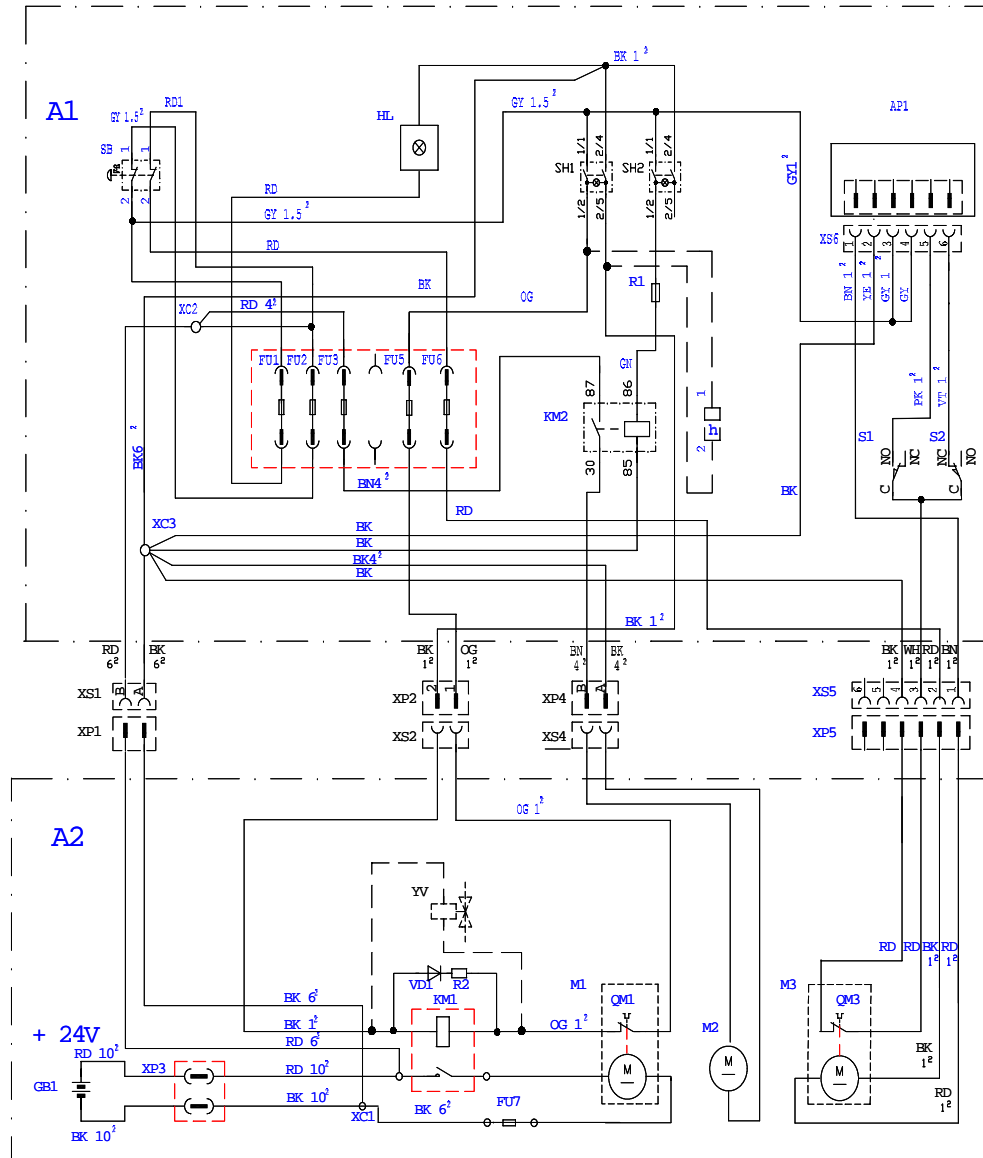
## DESCRIPTION: FRAME / CADRE

REF.	CODE	DESCRIPTION	DESCRIPTION	QT
1	320009	RUBBER SHIM	CALE EN CAOUTCHOUC	1
2	339049	PEDAL	PEDALE	1
3	312071	BEARING	PALIER / ROULEMENT	1
4	307519	SPACER	ENTRETOISE	1
5	304036	SCREW	VIS	1
6	306034	WASHER	RONDELLE	2
7	307561	SPACER	ENTRETOISE	1
8	314346	CABLE	PETIT CABLE	1
9	305087	NUT	ECROU	1
10	306064	WASHER	RONDELLE	2
11	307164	SPACER	ENTRETOISE	1
12	304096	SCREW	VIS	1
13	304079	SCREW	VIS	2
14	339097	BULKHEAD	CLOISON	1
15	303542	OUTLINE	PROFIL	1
16	306022	WASHER	RONDELLE	3
17	304065	SCREW	VIS	1
18	307516	PIN	PIVOT	1
19	304135	SCREW	VIS	2
20	308057	WHEEL	ROUE	1
24	313128	SPRING	RESSORT	1
25	307520	SPACER	ENTRETOISE	1
27	339046	SUPPORT	SUPPORT	1
28	306058	WASHER	RONDELLE	2
29	312030	BEARING	PALIER / ROULEMENT	1
30	311033	SEEGER	SUCEUR	1
36	339048	LEVER	LEVIER	1
37	320054	HANDGRIP	POIGNEE	1
38	313130	SPRING	RESSORT	1
39	305039	NUT	ECROU	1
40	339050	FRAME	CADRE	1
41	307094	PULLEY	POULIE	1
42	306041	WASHER	RONDELLE	1
43	309416	SUPPORT	SUPPORT	1
44	313119	SPRING	RESSORT	1
45	305041	NUT	ECROU	1
46	303571	SOFT GASKET	JOINT SOUPLE	2
47	305058	NUT	ECROU	3



# DESCRIPTION: ELEC. WIRING DIAGRAM / SCHÉMA ÉLECTRIQUE

BK	BLACK	BU	BLUE
BN	BROWN	VT	VIOLET
RD	RED	GY	GREY
OG	ORANGE	WH	WHITE
YE	YELLOW	PK	PINK
GN	GREEN	TQ	TURQUOISE



DESCRIPTION: ELEC. WIRING DIAGRAM / SCHÉMA ÉLECTRIQUE

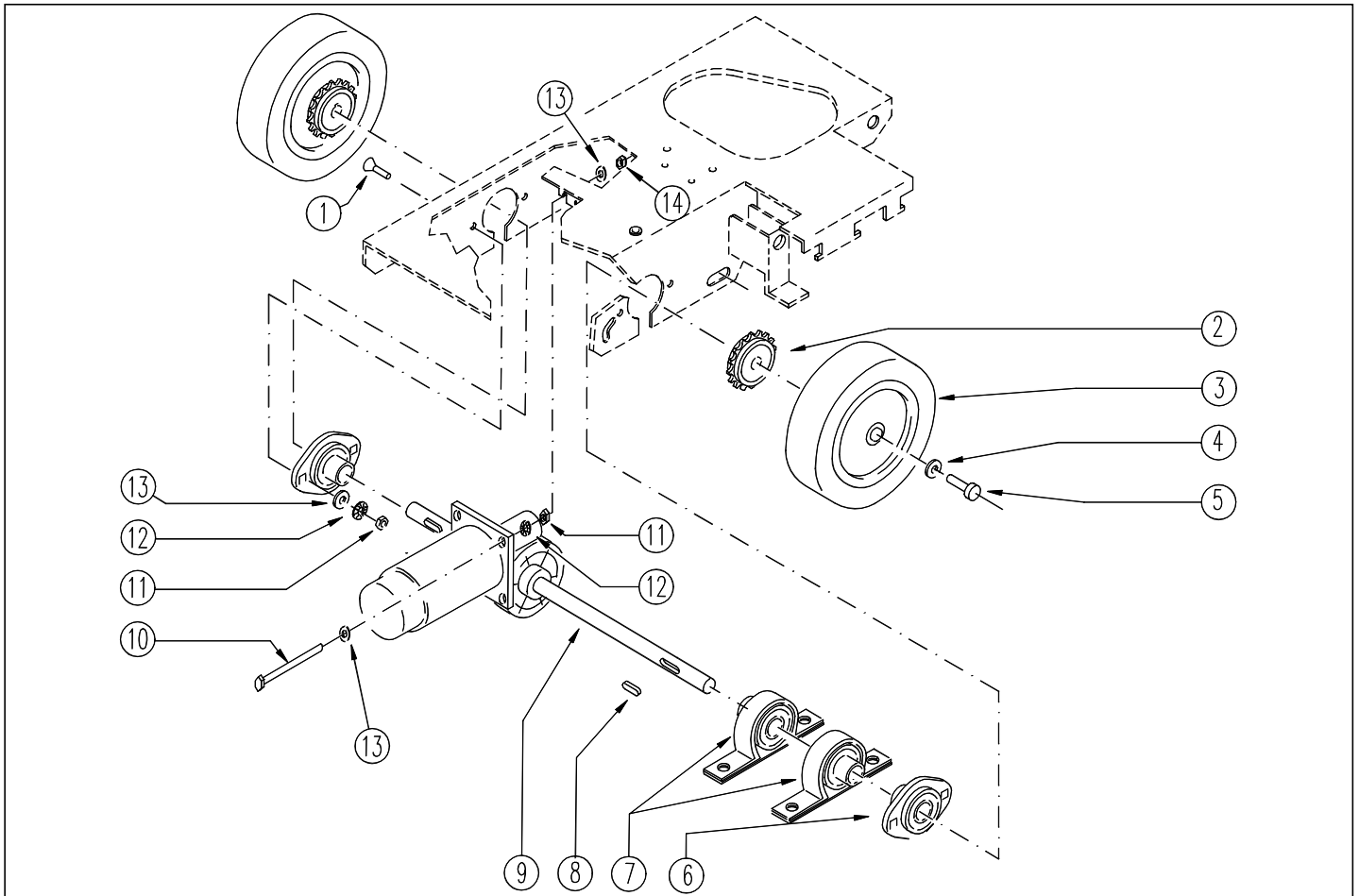
REF.	CODE	DESCRIPTION	DESCRIPTION	QT
AP1	323731-2	GEARCASE / BOARD	FICHE DE CONTROLE	
FU1	323144	FUSIBLE	FUSE	
FU2	323148	FUSIBLE	FUSE	
FU3	323148	FUSIBLE	FUSE	
FU5	323144	FUSIBLE	FUSE	
FU6	323148	FUSIBLE	FUSE	
FU7	323696	FUSIBLE	FUSE	
GB1		BATERÍA	BATTERY	
HL	323031	INDICADOR	INDICATOR	
KM1	323001	TELERRUPTOR	REMOTE CONTROL SWITCH	
KM2	323719	RELAY	RELAIS	
M1	302099	MOTOR	MOTOR	
M2	302303-J	MOTOR	MOTOR	
M3	302202	MOTOR	MOTOR	
QM1		THERMAL PROTECTION	PROTECTION THERMIQUE	
QM3		THERMAL PROTECTION	PROTECTION THERMIQUE	
R1	323734	RESISTANCE	RESISTANCE	
R2	323899	RESISTANCE	RESISTANCE	
S1	323109	MICROSWITCH	MICRO-INTERRUPTEUR	
S2	323109	MICROSWITCH	MICRO-INTERRUPTEUR	
SB		PUSH-BUTTON	POUSSOIR	
SH1	323183	INTERRUPTOR	SWITCH	
SH2	323183	INTERRUPTOR	SWITCH	
VD1	323470	DIODE	DIODE	
XC1	323103	INSULATOR	ISOLATEUR	
XC2	323414	CLAMP	BORNE	
XC3	323414	CLAMP	BORNE	
XP1	323562	CONECTOR	CONNECTOR	
XP2	323550	CONECTOR	CONNECTOR	
XP3	323010K	CONECTOR	CONNECTOR	
XP4	323562	CONECTOR	CONNECTOR	
XP5	323558	CONECTOR	CONNECTOR	
XS1	323564	CONECTOR	CONNECTOR	
XS2	323551	CONECTOR	CONNECTOR	
XS4	323564	CONECTOR	CONNECTOR	
XS5	323559	CONECTOR	CONNECTOR	
XS6	323902	CONECTOR	CONNECTOR	
h	323984J	HOUR METER (OPTIONAL)	COMPTE-HEURES (OPTION)	
YV	318404	ELECTROVALVE (OPTIONAL)	SOUPAPE ELECTRIQUE (OPTION)	
A1		CONTROL PANEL	TABLEAU DE COMMANDE	
A2		BODY WIRING DIAGRAM	SCHÉMA ÉLECTRIQUE CORPS	



DESCRIPTION: ELEC. SCHEMATIC DIAGRAM / SCHÉMA ÉLECTRIQUE

REF.	CODE	DESCRIPTION	DESCRIPTION	QT
AP1	323731-2	GEARCASE / BOARD	FICHE DE CONTROLE	
FU1	323144	FUSIBLE	FUSE	
FU2	323148	FUSIBLE	FUSE	
FU3	323148	FUSIBLE	FUSE	
FU5	323144	FUSIBLE	FUSE	
FU6	323148	FUSIBLE	FUSE	
FU7	323696	FUSIBLE	FUSE	
GB1		BATERIA	BATTERY	
HL	323031	INDICADOR	INDICATOR	
KM1	323001	TELERRUPTOR	REMOTE CONTROL SWITCH	
KM2	323719	RELAY	RELAIS	
M1	302099	MOTOR	MOTOR	
M2	302303-J	MOTOR	MOTOR	
M3	302202	MOTOR	MOTOR	
QM1		THERMAL PROTECTION	PROTECTION THERMIQUE	
QM3		THERMAL PROTECTION	PROTECTION THERMIQUE	
R1	323734	RESISTANCE	RESISTANCE	
R2	323899	RESISTANCE	RESISTANCE	
S1	323109	MICROSWITCH	MICRO-INTERRUPTEUR	
S2	323109	MICROSWITCH	MICRO-INTERRUPTEUR	
SB		PUSH-BUTTON	BOUTON-POUSSOIR	
SH1	323183	INTERRUPTOR	SWITCH	
SH2	323183	INTERRUPTOR	SWITCH	
VD1	323470	DIODE	DIODE	
XC1	323103	INSULATOR	ISOLATEUR	
XC2	323414	CLAMP	BORNE	
XC3	323414	CLAMP	BORNE	
h	323984J	HOUR METER (OPTIONAL)	COMPTE-HEURES (OPTION)	
YV	318404	ELECTROVALVE (OPTIONAL)	SOUPAPE ELECTRIQUE (OPTION)	
A1		CONTROL PANEL	TABLEAU DE COMMANDE	
A2		BODY WIRING DIAGRAM	SCHÉMA ÉLECTRIQUE CORPS	
	<b>323892</b>	<b>VAC MOTOR FUSE 40 AMP</b>	<b>FUSIBLE A MOTEUR 40 AMP</b>	

DESCRIPTION: DRIVE / TRACTION



REF.	CODE	DESCRIPTION	DESCRIPTION	QT
1	304339	SCREW	VIS	4
2	312011	BEARING	PALIER / ROULEMENT	2
3	308059	WHEEL	ROUE	2
4	306025	WASHER	RONDELLE	2
5	304077	SCREW	VIS	2
6	312022	FLANGE	BRIDE	2
7	312070	SUPPORT	SUPPORT	2
8	311034	TANG / TONGUE	LANGUETTE	2
9	302202	MOTOR - SHAFT	ARBRE	1
10	304194	SCREW	VIS	1
11	305017	NUT	ECROU	5
12	306023	WASHER	RONDELLE	5
13	306022	WASHER	RONDELLE	7
14	305041	NUT	ECROU	1

