

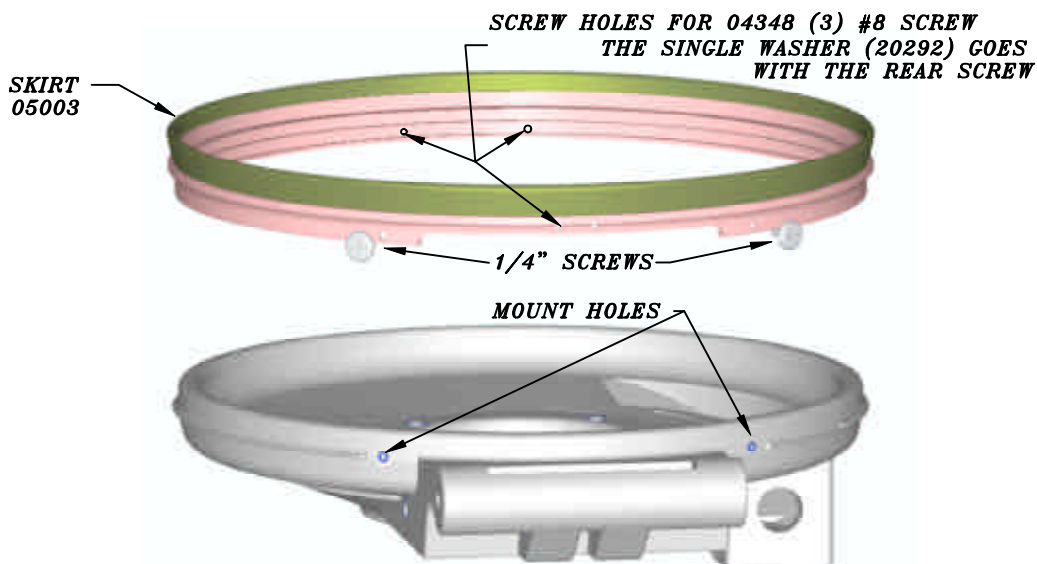
INSTALLATION OF TX BUMPER / DUST COLLECTOR KIT

PART #05006

ITEM	DESCRIPTION	QTY
04348	#8X5/8 PH SCREW	3
04998	TX SLEEVE	1
04999	FILTER	1
05003	BUMPER/SKIRT TX	1
20292	8L BRASS WASHER	1

STEP 1:
TURN BASE OVER
AND REMOVE
BUMPER.

STEP 2:
MOUNT SKIRT ONTO CHASSIS,
INSTALL TWO 1/4" SCREWS
THEN THREE #8 SCREWS



NOTE:
SOME ITEMS REMOVED FOR CLARITY

STEP 3:
INSERT FILTER SLEEVE
INTO TUNNEL HOLE
AND SLIP FILTER BAG
ONTO SLEEVE

