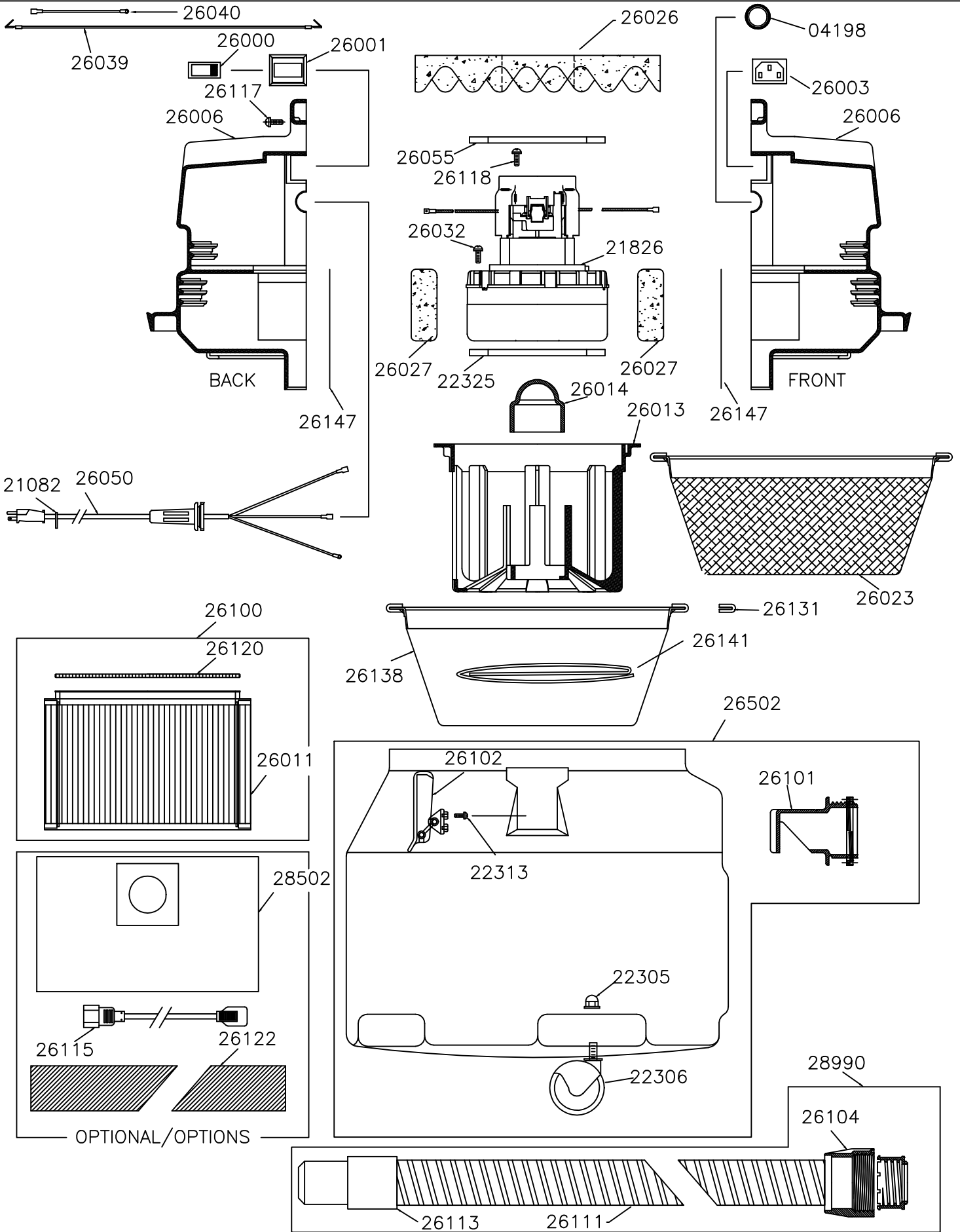


28528

PC-51

AUG 98



ITEM	DESCRIPTION	QTY REQ
04198	DOME PLUG	1
21082	CORD GRIP	1
22305	ACORN NUT	5
22313	SCREW # 10 X 3/8 LONG	4
22325	UNIVERSAL MOTOR GASKET	1
26000	ROCKER SWITCH	1
26001	SWITCH PLATE	1
26003	POWER OUTLET PLUG	1
26006	MOTOR HOUSING	2
21826	VAC.MOTOR SM. BY-PASS	1
26013	FILTER CAGE LARGE	1
26014	FLOAT SHUT OFF	1
26138	FILTER NORCIM LG.	1
26023	WET FILTER	1
26026	TOP FOAM DISK	1
26027	LOWER ACOUSTIC FOAM	8
26032	SCREW #10 X 1" LONG	2
26038	GROUND WIRE ASSEMBLY	1
26040	BLACK WIRE ASSEMBLY	1
26050	CORD ASSEMBLY	1
26055	UPPER MOTOR GASKET	1
26101	INLET DEFLECTOR	1
26102	TANK CLAMP	2
26104	HOSE COUPLING	1
22306	CASTER SW. STEM	5
26111	1 ½ VACUUM HOSE X 8' LONG	1
26113	1 ½ HOSE CUFF	1
26117	SCREW # 8 X 3/4 LONG	12
26118	GROUND SCREW # 10 X 3/8 LONG	2
26131	FILTER GASKET	1
26141	JOGGER RING	1
26147	HOUSING GASKET	2
26502	PC50-51 TANK ASSEMBLY	1
28990	VACUUM HOSE - ASSEMBLY	1
OPTIONAL/OPTIONS		
26100	FILTER/CLAMP - ASSEMBLY	1
26011	LARGE HOSPITAL FILTER	1
26115	CABLE - POWER NOZZLE	1
26120	HOSPITAL FILTER CLAMP	1
26122	HOSE COVER	1
28502	LARGE PAPER BAG - 10 PKG	1