

# OPERATION MANUAL



## MINI SPOTTER

### CARPET EXTRACTOR

Item Code 19684  
Edition 04 06 02

## Warnings

1. Do Not Operate this unit if any part of the unit appears to be damaged.
2. Do Not Operate if the ground plug is broken.
3. Do Not Operate if the unit is in standing water.
4. Do not use Volatile Substance or where Volatile Vapors exist.
5. Do Not Service while unit is running or connected to electricity (unplug the unit).
6. Do Not Use water over 120° F
7. Do not use Solvents with this unit.
8. Do not use as a dry vacuum.
9. Do not use this unit unless it is completely assembled.
10. Use only liquid detergents, powders do not fully dissolve and damage the motor.
11. Always use defoamer. Foam will suspend particles and moisture will damage the motor.

## Prepare your unit for use!

1. All extractors are shipped with anti-freeze (Summer or Winter) in the pump and solution lines. Fill the tank with 1 quart of warm water and flush out the system prior to use (Attach the hoses as in the next paragraph and spray (with hand tool) one-quart of warm water through the pump).
  2. Attach the 1 ½ vacuum hose and the brass quick disconnect.
  3. Fill the base unit (the recovery tank must be removed) with warm (less than 100°Farenheight) water. Fill to approximately 4" from the top. Use a liquid detergent made for carpet cleaning or upholstery. Read and mix to the dilution ratios as directed.

## Vacuum shut off!

The Spot-Extract is designed with a vacuum restrictor to reduce the vacuum when the recovery tank is full. When the vacuum is restricted the liquid will not travel up the clear-view nozzle. The motor speeds up (the sound will change) this is your notice to dispose of your recovered solution. The restrictor is a foam float that slides up and down the vacuum tube in the recover tank.

## After each use!

Remove the vacuum hose from the upper body, un-clip, rotate latch on the back of the unit and remove the upper section of the spotter. Dump the used solution (pour the used solution back through the outlet that the vacuum hose was connected to) in the toilet or janitors closet sink.

## Problem Solving!

Prior to working on your extractor take a minute and carefully analyze the problem. Most problems are quickly and easily solved once the proper diagnosis is complete. Be aware that working on any electrical component of your vacuum can invalidate your warranty. All motor or pump maintenance should be completed by an authorized repair center.

Extractor will not run.

1. Check the power connection. Move the grounded plug to an outlet that is working, verify by plugging another electrical component (Lamp, Hair Dryer, Drill Motor.)
2. Check the power cord for damage, replace if damage is found.

Loss of Vacuum.

1. Make sure the float is at the bottom of the unit. Open the screw cap and push the float down.
2. Make sure the hose cuff is securely attached to the front of the extractor

Loss of Solution Pressure.

1. Make sure the pump is on.
2. Remove the jet from the end of the hand-tool and press the trigger on the wand. If the pump functions clean the jet and replace.
3. Clean the solution intake in the solution tank.
4. Check the quick disconnect for debris.
5. If pump is not working return to the dealer for service.

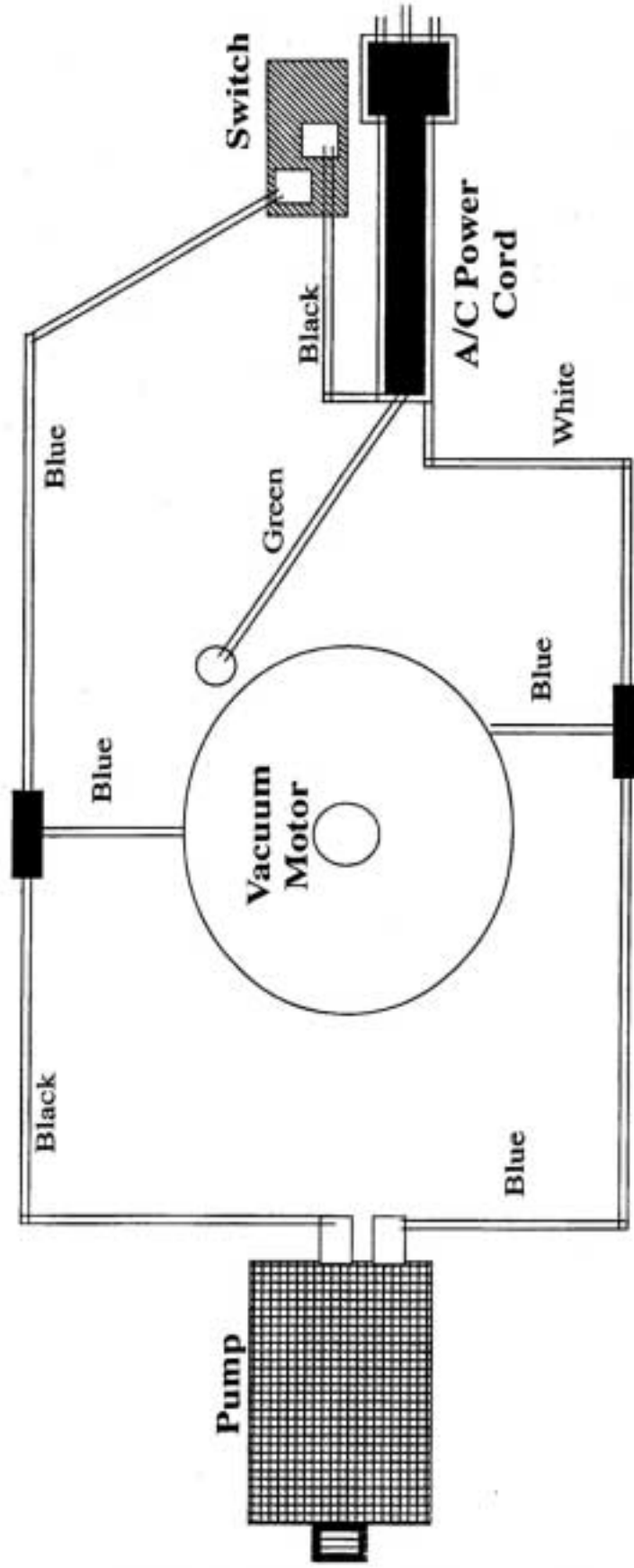


# Dustbane

# Mini Spotter

*Spot Xtract*

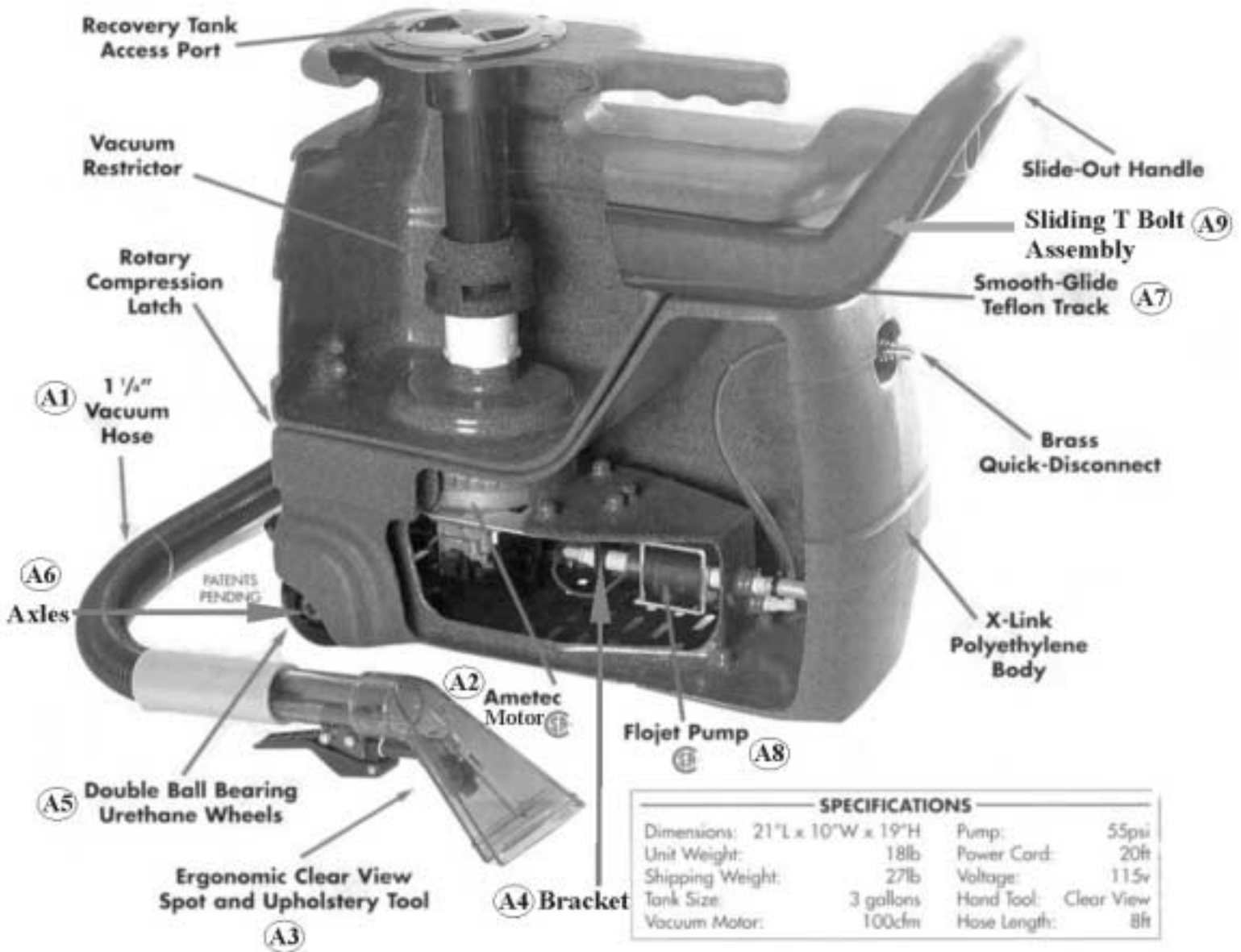
*Wiring Diagram*



Caution: Color of the electrical wire may vary.  
Determine the starting and ending point of each wire to confirm its connection point.



# MINI SPOTTER Item # 19684



| SPECIFICATIONS   |                    |              |            |
|------------------|--------------------|--------------|------------|
| Dimensions:      | 21"L x 10"W x 19"H | Pump:        | 55psi      |
| Unit Weight:     | 18lb               | Power Cord:  | 20ft       |
| Shipping Weight: | 27lb               | Voltage:     | 115v       |
| Tank Size:       | 3 gallons          | Hand Tool:   | Clear View |
| Vacuum Motor:    | 100cfm             | Hose Length: | 8ft        |

### Spare Parts List

| Part | Item   | Description             |
|------|--------|-------------------------|
| A1   | S85937 | Hose                    |
| A2   | S85938 | Motor                   |
| A3   | S85939 | Hand Tool               |
| A4   | S85940 | Bracket                 |
| A5   | S85941 | Wheels                  |
| A6   | S85942 | Axles                   |
| A7   | S85943 | C Channel               |
| A8   | S85949 | Pump                    |
| A9   | S85950 | Sliding T Bolt Assembly |