

Operation & Parts Manual Manuel d'opération et des pièces



CODE : 19386

Power Clean 1200 XT Box-Style Extractor Extractor

Serial #: _____

Date of Purchase: _____

More info : www.dustbane.ca

SAFETY

WARNING: To reduce risk of fire, electrical shock or injury:

- READ ALL INSTRUCTIONS BEFORE USING THIS EXTRACTOR.
- Use only as described in this manual.
- Test all outlets with an outlet tester before plugging machine into any outlet.
- Use only the attachments recommended by the manufacturer.
- Plug cord into the nearest grounded outlet.
- Do not unplug by pulling on the cord, grasp the plug. Do not pull unit by the cord.
- Keep cord away from heated surfaces.
- Never attempt adjustments or repairs while the machine is plugged in.
- Do not use if cord or plug are damaged.
- Do not use outdoors, in standing water, or on wet surfaces.
- Pay close attention when using machine near children.
- Do not pick up flammable or combustible materials, or use machine where they may be present.
- Do not leave machine outdoors, in extreme heat or cold. Harsh weather elements will damage components and void warranty.
- Lift using only the appropriate handles.
- Always wear the appropriate clothing and safety equipment when operating the machine.
- Keep all body parts, hair and loose clothing away from openings and moving parts
- Use extra care when cleaning stairs. Never move the machine up or down stairs with fluid in the machine.
- Use common sense to protect yourself and others from injury when using the machine.

SET UP AND OPERATION

ELECTRICAL

Plug cord(s) in to 20 AMP grounded wall outlets. 20AMP circuits are normally found in kitchens and bathrooms. Never remove ground prong from from plug. If a circuit breaker trips during operation, turn machine off, reset the breaker and move the electrical cord to a different outlet and resume operation.

PUMP SYSTEM

Fill the solution tank and prime the pump (200 & 500 psi models only)

- Turn the Auto Prime lever on (Vertical). Auto Prime lever is located on the backside of the machine near the left power cord.
- Turn on a vacuum motor and cover vacuum inlet for 5-10 seconds.
- Remove hand from inlet and turn the Auto Prime lever off (Horizontal)
- Turn solution pump on and pump should be primed. If pressure does not rise repeat process.

VACUUM SYSTEM

The extractor uses a two vacuum motor system that provides outstanding water lift and air flow. The extractor can be used with one motor for cleaning delicate fabrics or both motors for carpet cleaning and water extraction.

Automatic Vacuum Shut Off: The float assembly shut off, located in the recovery tank on the vacuum stand pipe, prevents the waste tank from overflowing into the stand pipe and damaging the vacuum motors. The float assembly will cut off vacuum to the waste tank. When this happens immediately turn off the vacuum motors and empty the waste tank.

The float assembly will also prevent lint and debris from entering the vacuum motors. It is necessary to clean the screen frequently to maintain maximum vacuum.

It is also necessary to use low foaming chemicals or a defoamer to eliminate foam build up in the recovery tank and damage to the vacuum motors. If moisture does enter the vacuum motors it is necessary to WD-40 the motors. Remove the float assembly from the stand pipe and turn on both vacuum motors. Spray a five second burst of WD-40 into the stand pipe and continue to let the vacuum motors run for three minutes.

STORAGE AND FREEZE PROTECTION

You must Winterize your extractor to protect the pump system from freezing. Damage due to freezing is not covered under the Limited Warranty. Store your extractor in temperatures over 40°F. If you plan on storing your extractor in freezing conditions you must prime your sniper with antifreeze.

200 and 500 models: Fill the solution tank with 1/2 gallon of 50/50 mix of antifreeze and water and follow the priming instructions in the set up and operation section of this manual. Vacuum excess mixture out of the solution tank into the recovery tank and dispose of antifreeze properly.

100 psi models: Fill the solution tank with a 50/50 mix of antifreeze and water and use the wand to spray mixture into a bucket. Vacuum excess mixture out of the solution tank into the recovery tank and dispose of antifreeze properly.

Be sure to flush out pump and vacuum system thoroughly with fresh water before use.

MAINTENANCE

Regular maintenance is required to keep your extractor in proper working condition.

Thoroughly clean all equipment and accessories after each use.

- Rinse the solution and recovery tanks with clean water.
 - Flush the pump system with clean water, including all hoses and wand(s).
 - Do not allow water to remain in the tanks after use
- Lubricate all quick disconnects with WD-40 or similar lubricant.

200psi and 500psi Pump Maintenance

- Every week rinse pump out with one gallon of water mixed with 4 ounces of vinegar
- Every 500 hours replace Plunger and Seal kit, and Valve kit.
- Every 1000 hours replace the Cam and Bearing kit.

LIMITED WARRANTY

All equipment is inspected and tested before shipping from the manufacturer. All parts are warranted to be new and free from defects in workmanship and material to the original retail purchaser as following:

- 5 years on plastic body parts
- 2 years on electrical and motors
- 1 year on pump

This warranty limits manufacturer's liability for defects in workmanship or materials to replacement of defective parts only. Manufacturer accepts no liability for incidental or consequential damages arisen from the use of any equipment, defective or not. This warranty is in lieu of all expressed or implied warranties and is extended only to the original retail purchaser. Manufacturer sales and service representatives are not authorized to waive or alter the terms of this warranty, or to increase the obligations of the manufacturer under the warranty.

WARRANTY PROCEDURE

It is the responsibility of the distributor to repair the customer's equipment as soon as possible. If the distributor does not have the facilities to repair the equipment it may be shipped back to an authorized service center for warranty repair, freight prepaid.

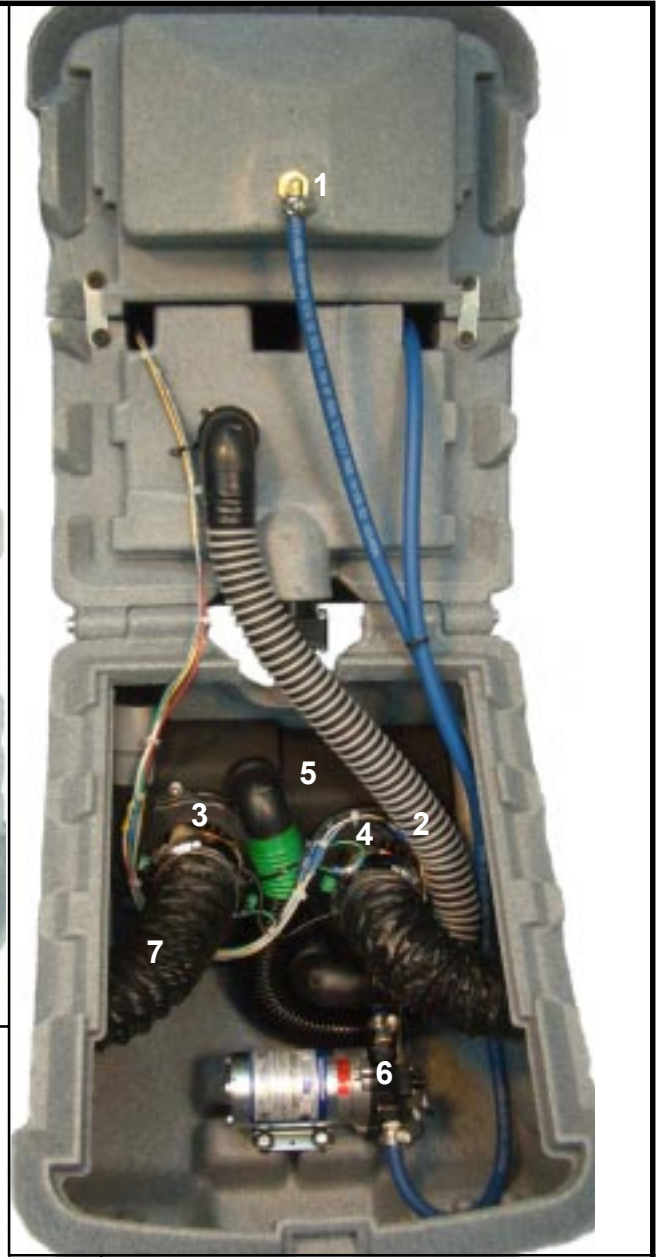
Procedure:

1. When a repair falls within the warranty time period, the distributor must call for an RMA number.
2. All parts and equipment must be returned with an RMA number for evaluation at customers expense. All claims are subject to an evaluation to determine if warranty will be approved.
3. When warranty is approved, the distributor's account will be credited for the parts. If the warranty is denied, the distributor's account will not be credited for any parts. Customer is responsible for any repair, shipping and handling costs.

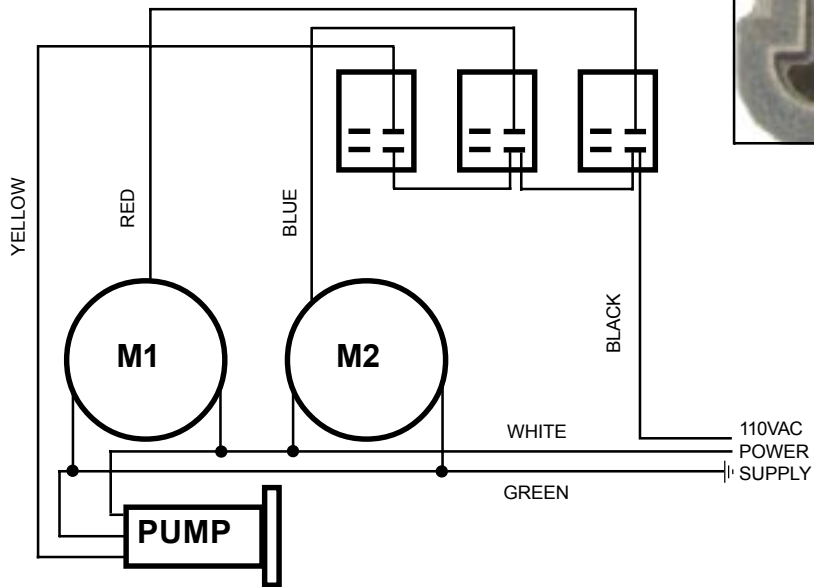
TROUBLE SHOOTING GUIDE

System	Problem	Possible Cause	Remedy
Vacuum System	No Vacuum / Weak Vacuum	<ol style="list-style-type: none"> 1. Vac tank full 2. Float shut off tank screen dirty 3. Float ball stuck 4. Damaged or loose vac hose 5. Dump valve open 6. Access lid not sealed 7. Vac hose clogged 8. Air intake grid clogged 9. Leak in recovery tank 10. Water coming out of vacuum exhaust 	<ol style="list-style-type: none"> 1. Empty tank 2. Clean the screen with water 3. Tap float to unstick and then clean 4. Attach or replace 5. Close valve 6. Replace gasket 7. Clear debris 8. Clean 9. Clean and dry area, patch with silicone 10. Use a low foaming detergent
Electrical System	Unit will not turn on	<ol style="list-style-type: none"> 1. Extension cord not plugged in 2. Switch not in the "ON" position 3. Building circuit overloaded 4. Wiring connections loose 	<ol style="list-style-type: none"> 1. Check if machine and cord are plugged in 2. Check switches, replace if necessary 3. Reset circuit 4. Unplug machine and check for loose wires
	Burning smell	<ol style="list-style-type: none"> 1. Vacuum motor hung up 2. Pump motor hung up 	<ol style="list-style-type: none"> 1. Replace Vacuum motor 2. Replace pump
Pump System	Pump is not running properly	<ol style="list-style-type: none"> 1. No power to the pump 2. Jets on wand are clogged 3. In-line water filter is clogged 4. Debris in solution tank covering inlet 5. Kinked or loose hose 6. Pump failed 7. Quick disconnects are not completely locked together 8. Heater is clogged with deposits 9. Pump is pulsating 10. Auto Prime valve is open 	<ol style="list-style-type: none"> 1. Check electrical system 2. Clean jet filters 3. Clean in-line filter 4. Clear debris 5. Check and replace hoses if necessary 6. Replace pump 7. Snap quick disconnects together 8. Flush heater with system maintainer or replace if necessary 9. Check for clogged jets and clean 10. Close valve

<p>3-Stage Motor</p>  <p>10-0810</p>	<p>2-Stage Motor</p>  <p>10-0811</p>	<p>Motor Gasket</p>  <p>10-1030 2-Stage 10-1030-S 3-Stage</p>
<p>100psi FloJet Pump</p>  <p>10-0812</p>	<p>100psi Shurflo Pump</p>  <p>10-0812-S</p>	<p>200psi Pump Tec Pump</p>  <p>10-0869</p>
<p>500 psi Pump</p>  <p>80-0016</p>	<p>Shut Off Assembly</p>  <p>80-0012</p>	<p>1000psi Gauge</p>  <p>80-0059</p>
<p>Dump Valve</p>  <p>10-0805</p>	<p>Hatch Cover</p>  <p>10-0804</p>	<p>Hatch Cover Gasket</p>  <p>10-0804-A</p>
<p>Female Quick Disconnect</p>  <p>10-0868</p>	<p>Male Quick Disconnect</p>  <p>10-0870</p>	<p>1/4" Strainer</p>  <p>10-0845</p>
<p>Intake/Exhaust Grate</p>  <p>10-0822</p>	<p>Rebuild Kit for 200&500psi BPR</p>  <p>80-0061</p>	
<p>Lighted Switch for Heater</p>  <p>10-0803-H</p>	<p>Switch for Vacuum/Pump</p>  <p>10-0803</p>	<p>Cooling Ducting</p>  <p>T-A001</p>

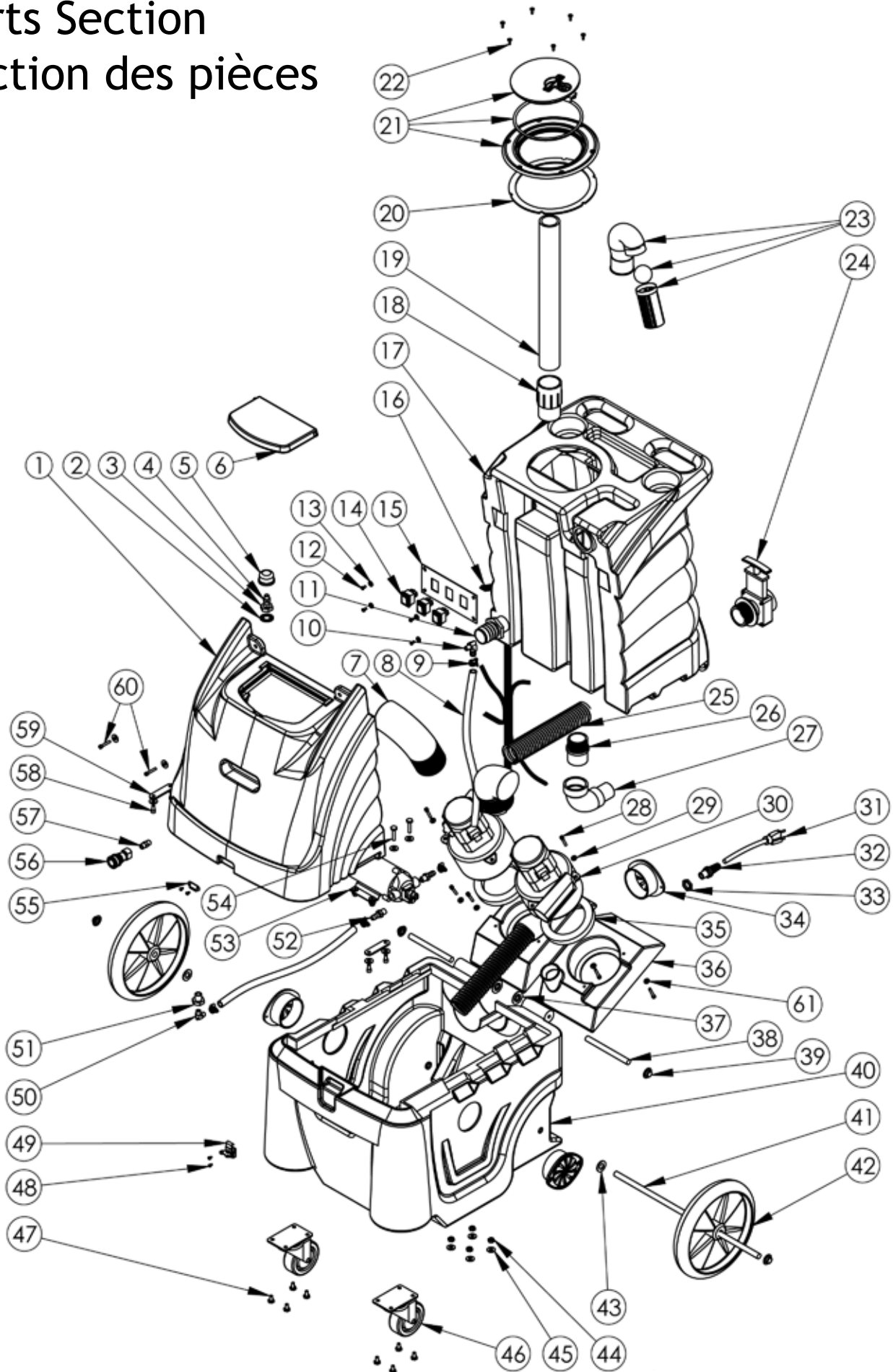


Wiring Diagram



- 1- Solution Intake
- 2- Vacuum Hose
- 3- Vacuum Motor 1
- 4- Vacuum Motor 2
- 5- Vacuum Motor Manifold
- 6- 100psi Solution Pump
- 7- Motor Cooling Ducting

Parts Section Section des pièces



Drawing#	Item ID	Item Description	Qty Needed
1	SN-12-ST-GRYGRAN	12 Gal. Sol. Tank Grey Granite	1.00
2	80-0017	Bulk Head fitting for Sniper	1.00
3	80-0017	Bulk Head fitting for Sniper	1.00
4	10-0479	1/4" Male Close Nipple	1.00
5	10-0845	1/4" Strainer for Extractor	1.00
6	SN-12-L-GRYGRAN	12 Gal. Lid Grey Granite	1.00
7	80-0001	Sniper Exhaust Hose	0.40
8	10-0843	3/8" Black Hose for Sniper	8.80
9	10-0826	3/4" Hose Clamp for Sniper	4.00
10	80-0026	3/8 Barb x 1/4MPT 90°	2.00
11	10-0806	Barb Hose Fitting for Sniper	1.00
12	10-0379	8-32 x 3/8 Screw	8.00
13	10-0204	Motor Mount Back-Up Washer	18.00
14	10-0803	Splashproof Switch for Sniper	3.00
15	10-0809	Sniper 3-Hole Switch Plate	1.00
16	80-0200	Sniper Harness	1.00
17	SN-12-RT-GRYGRAN	12 Gal. Rec. Tank Grey Granite	1.00
18	80-0008	1.5 PVC Female Adapter	1.00
19	10-0416-A	1-1/2" Black ABS Stand Pipe	1.30
20	10-0804-A	Hatch Cover Gasket for Sniper	1.00
21	10-0804	Hatch Cover for Extractor	1.00
22	10-0419-A	Screw for Sniper Hatch	12.00
23	80-0012	Shut-Off Assembly for Extract.	1.00
24	10-0805	Dump Valve for Extractor	1.00
25	10-0024	1 1/2" Black Vacuum Hose	1.30
26	10-0849	1-1/2" ABS Fitting	1.00
27	10-0848-B	1-1/2" 90Deg. ABS Street Elbow	3.00
28	10-0833	MotorManifold Bolts for Sniper	10.00
29	10-0204	Motor Mount Back-Up Washer	18.00
30	10-0811	2-Stage Sniper Motor	2.00
31	10-0838	Pigtail for Extractor	1.00
32	10-0850	Strain Relief for Sniper	1.00
33	10-0851	Strain Relief Nut for Sniper	1.00
34	10-0822	Exhaust Grate for Sniper	3.00
35	10-1030-S2	2-Stage Sniper Motor Gasket	2.00
36	SN-12-MFLD	Sniper Motor Manifold	2.00
37	10-0830	Hinge Keeper for Extractor	2.00
38	10-0821	Sniper Hinge	2.00
39	10-0820	End Cap for Rod on Sniper	4.00

40	SN-12-MB-BLKGRAN	12 Gal. Motor Base Blk.Granite	1.00
41	10-0836	19" Axle for Sniper	1.00
42	10-0807	Wheels for Extractor	2.00
43	10-0840	Nylon Washer for Sniper Axle	8.00
44	10-0835-N	Nut for Pump Bolt on Sniper	4.00
45	10-0834	Pump Flat Washer	10.00
46	10-0808	Caster for Extractor	2.00
47	10-0816	Caster Bolt	8.00
48	10-0379	8-32 x 3/8 Screw	8.00
49	10-0400-D	Latch for Sniper	1.00
50	80-0026	3/8 Barb x 1/4MPT 90°	2.00
51	80-0017	Bulk Head fitting for Sniper	1.00
52	10-0823	3/8" Barb x 3/8" Male for Extr	2.00
53	10-0812	100psi Sniper Pump	1.00
54	10-0835-B	Pump Bolt 100psi Sniper	4.00
55	10-0400-C	Keeper Latch for Sniper	1.00
56	10-0868	1/4" Female QD for Sniper	1.00
57	10-0846	1/4" MPT Hex Nipple for Sniper	1.00
58	10-0832	S/R Strap Bolts	4.00
59	10-0831	S/R Bracket for Sniper	2.00
60	10-0818	S/R Top of Tank Bolt on Sniper	2.00
61	10-0023	Shoulder & Waist Belt Washer	4.00