



Victory Handheld Sprayer

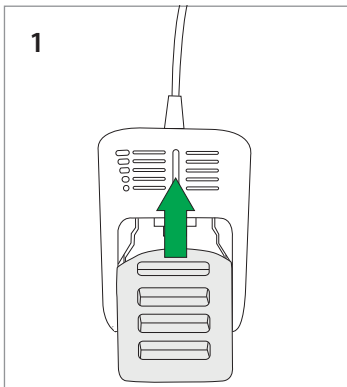
Quick Guide

This guide is intended for quick consultation only and does not replace the user and maintenance manual. Before using this machine, read the user maintenance manual contained in the machine's packaging and follow all the instructions.

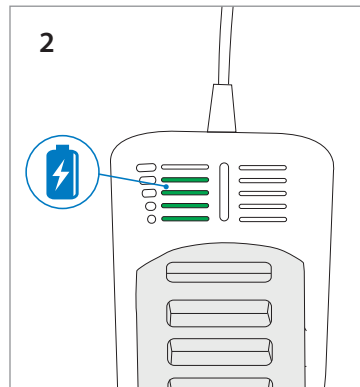
CONTENTS: After unpacking, inspect the components for any damage or missing hardware pieces, etc. The following components are included with your purchase:

- | | | |
|---|--|--|
| <input type="checkbox"/> Sprayer Unit | <input type="checkbox"/> Carrying Bag | <input type="checkbox"/> Cap for Tank |
| <input type="checkbox"/> 3 Setting Nozzle | <input type="checkbox"/> Instruction Sheet | <input type="checkbox"/> Tank Hose and Gasket Assembly |
| <input type="checkbox"/> Nozzle Wrench | <input type="checkbox"/> Battery & Charger | |

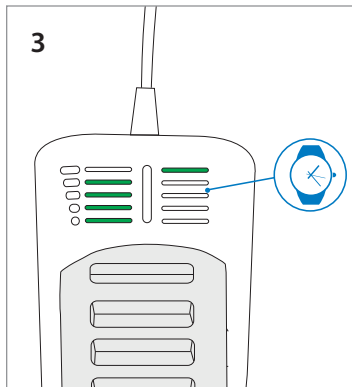
CHARGING THE BATTERY



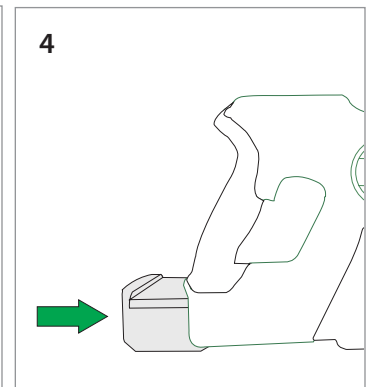
1 Snap it into the included charger.



2 The lights on the left side indicate the level of charge of the battery.

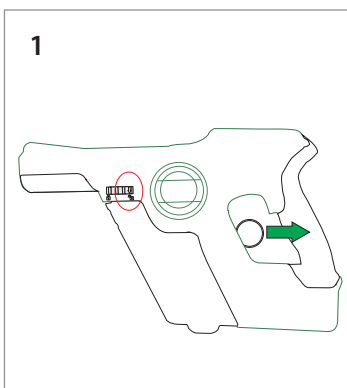


3 The lights on the right side indicate the amount of time remaining for the battery to be fully charged.

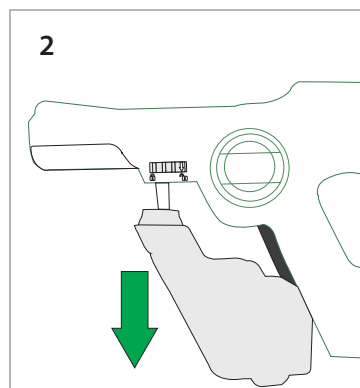


4 When the battery is finished charging, snap it into place on the sprayer.

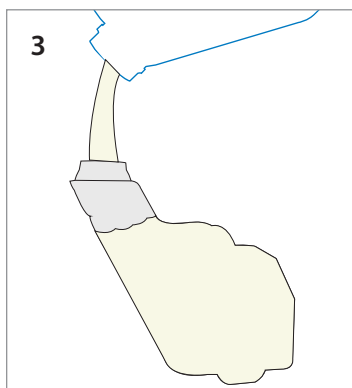
FILLING THE TANK



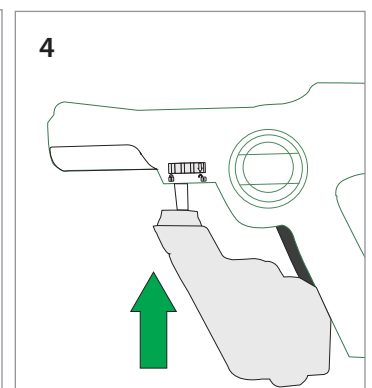
1 To remove the solution tank from your Victory Sprayer, simply rotate the collar lock to the "unlock" icon and pull the ring back to release the locking mechanism.



2 You can now pull the tank off the unit.

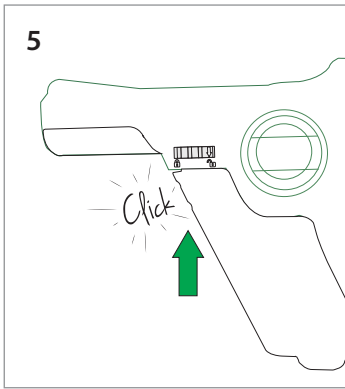


3 Fill the tank with the desired diluted solution. Apply label.

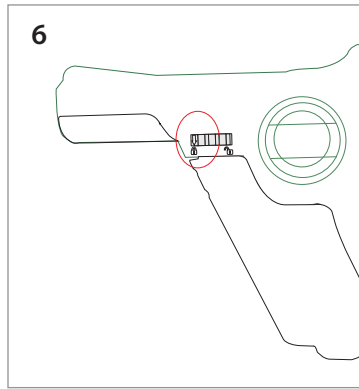


4 Re-attach the tank by aligning the vertical rails of the sprayer with the groove along the top of the tank. Rotate the collar lock to the "lock" icon.

FILLING THE TANK (CONT.)

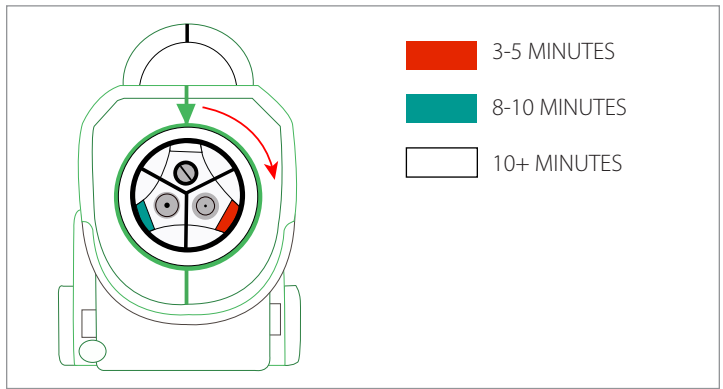


Firmly press the tank into the sprayer until you hear a "click".



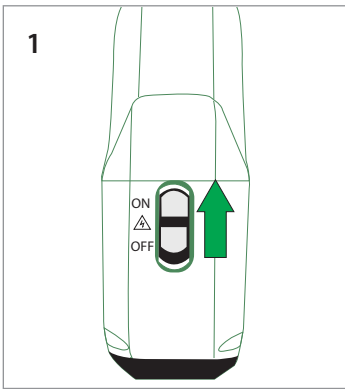
Rotate the collar lock to the "lock" icon.

SETTING UP NOZZLE

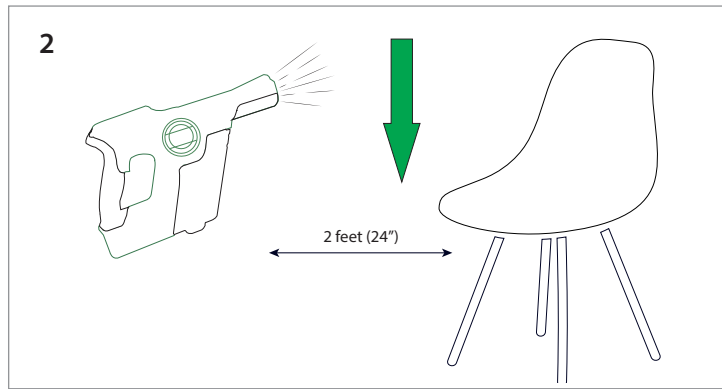


Rotating the nozzle clockwise, select the appropriate nozzle tip according to the dwell time of the product used. If the dwell time is less than 5 minutes, position nozzle to Setting 1 (red). If between 8-10 minutes, position nozzle to Setting 2 (green), and for 10 minutes, position the nozzle to Setting 3 (white).

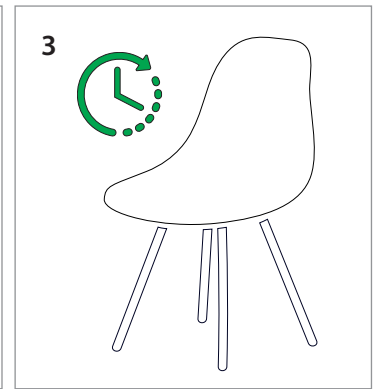
OPERATING SPRAYER



Push the electrostatic charge switch to the "On" position.

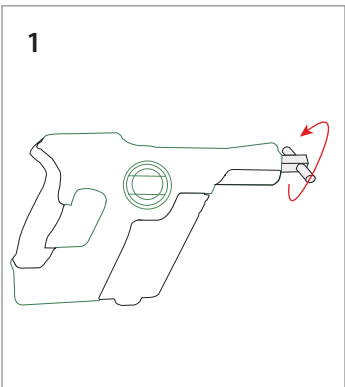


Start spray application on the highest point of the surface on the object being disinfected and quickly move to the lower areas. Where possible, sprayer should be kept as level as possible and be approximately 2 feet (24") from the surface being treated.

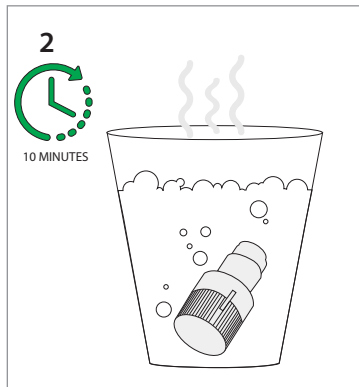


Leave the product on the surfaces for the dwell time indicated on the label. Wipe if indicated.

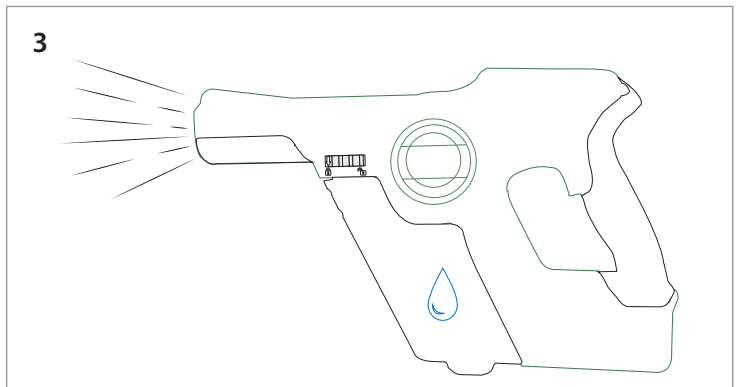
CLEANING PROCEDURES



To clean or unplug the nozzle, remove the nozzle using the nozzle wrench provided and rotating it in counter-clockwise direction.



Soak nozzle in hot soapy water for 10 minutes.



To reduce the chance of blockage we recommend that after every few days of use spray a tank of water through the unit to rinse out any residual chemical build up that may have occurred.