

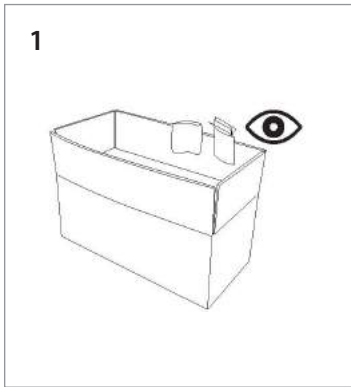


Micro-5

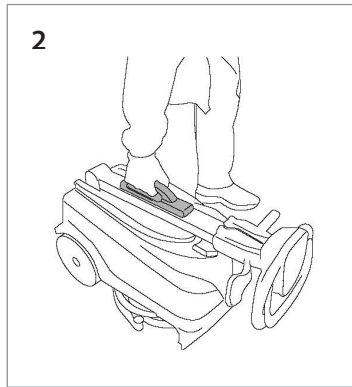
Quick Guide

This guide is intended for quick consultation only and does not replace the user and maintenance manual. Before using this machine, read the user maintenance manual contained in the machine's packaging and follow all the instructions.

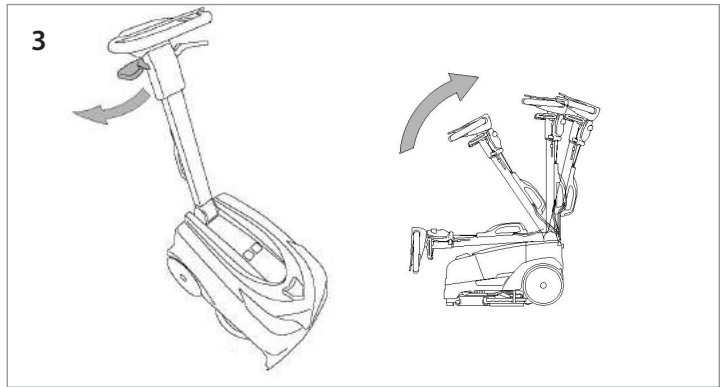
PREPARATION AND OPERATION



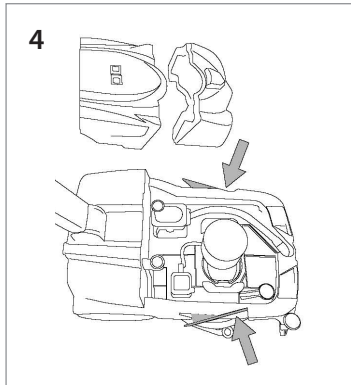
1
Open the box and remove loose items.



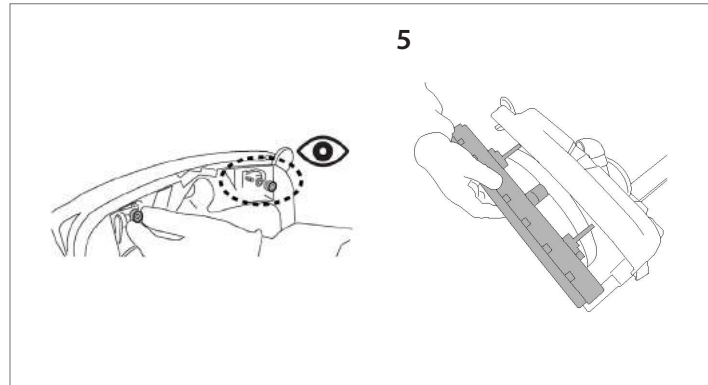
2
Lift the machine out of the box by the handle and set it down.



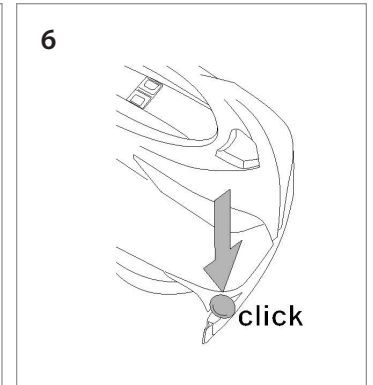
3
Pull the handle up at right angles to the machine.



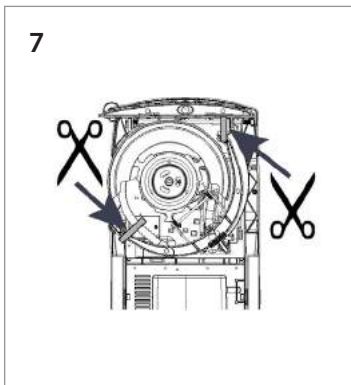
4
Remove tanks.



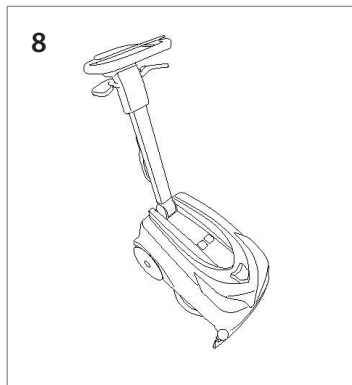
5
Install the front squeegee.



6
Install the bumper wheel.

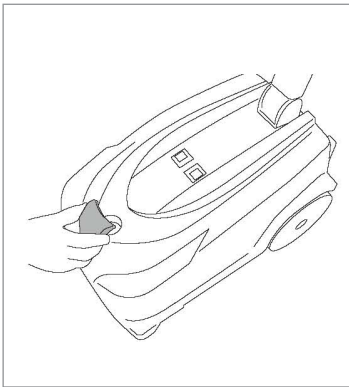


7
Cut the ties applied to the rear squeegee.

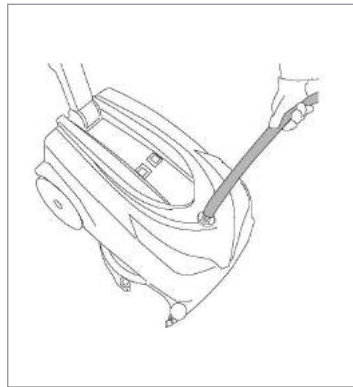


8
Reinstall the tanks.

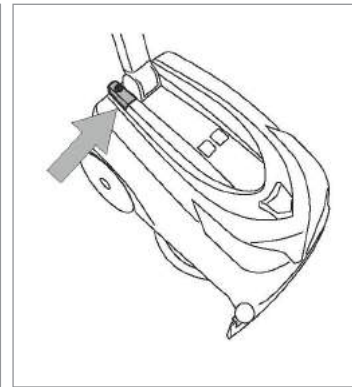
OPERATION



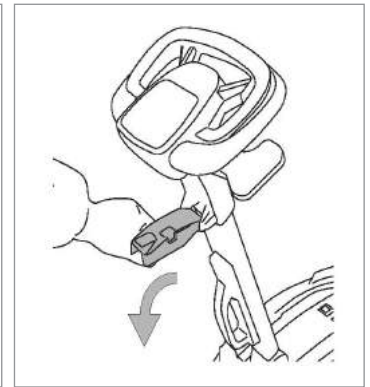
Remove solution tank cap.



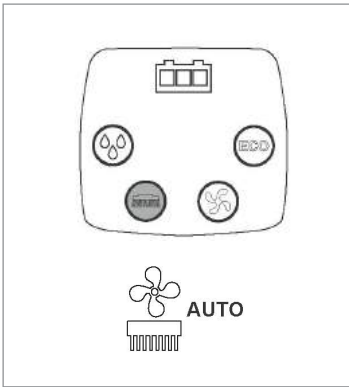
Fill solution tank with water and detergent.



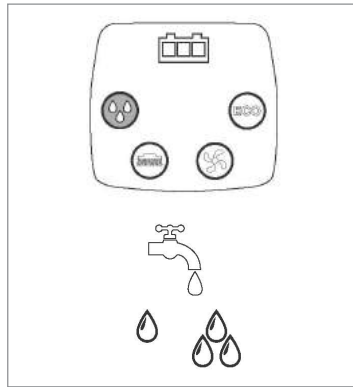
Turn on main switch.



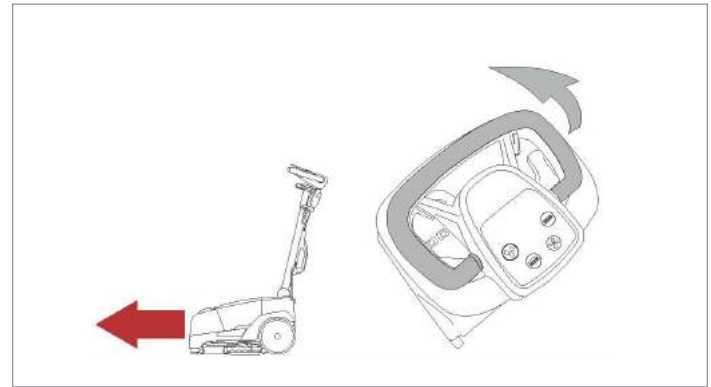
Lower squeegee lever.



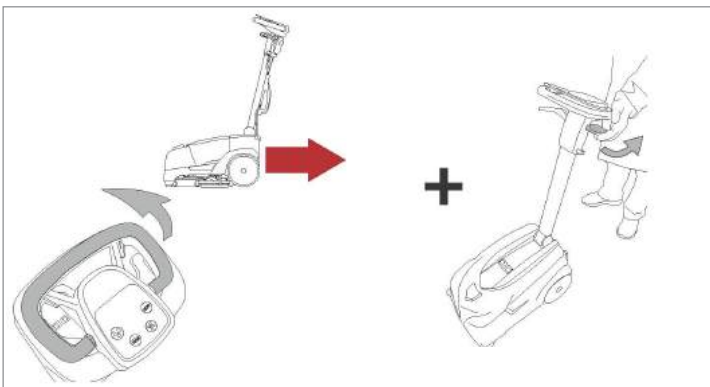
Press the brush or ECO button to activate all functions.



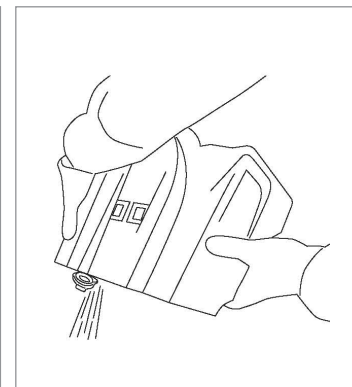
Press the solution button to set desired water level.



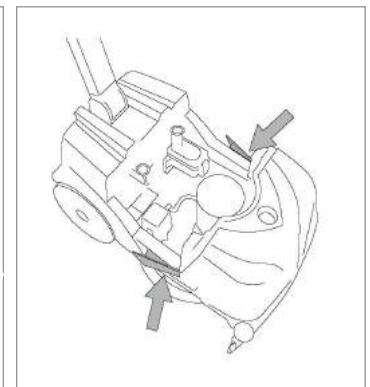
Push the activation lever and start cleaning.



To clean in reverse, activate the front squeegee by pulling the front squeegee lever at the same time as the activation lever.

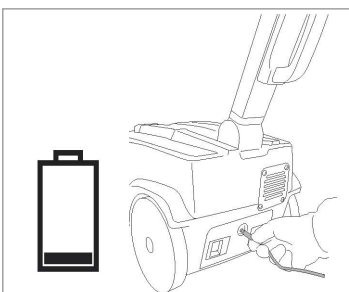


Remove the recovery tank from the machine to empty.

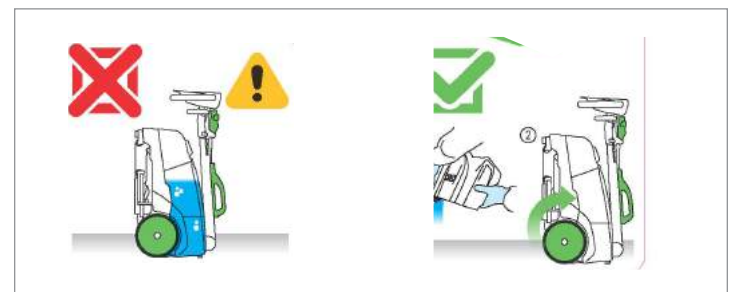


Press side latches to remove and empty the solution tank.

CHARGING PROCEDURES



STORAGE



Empty tanks before storing machine upright.