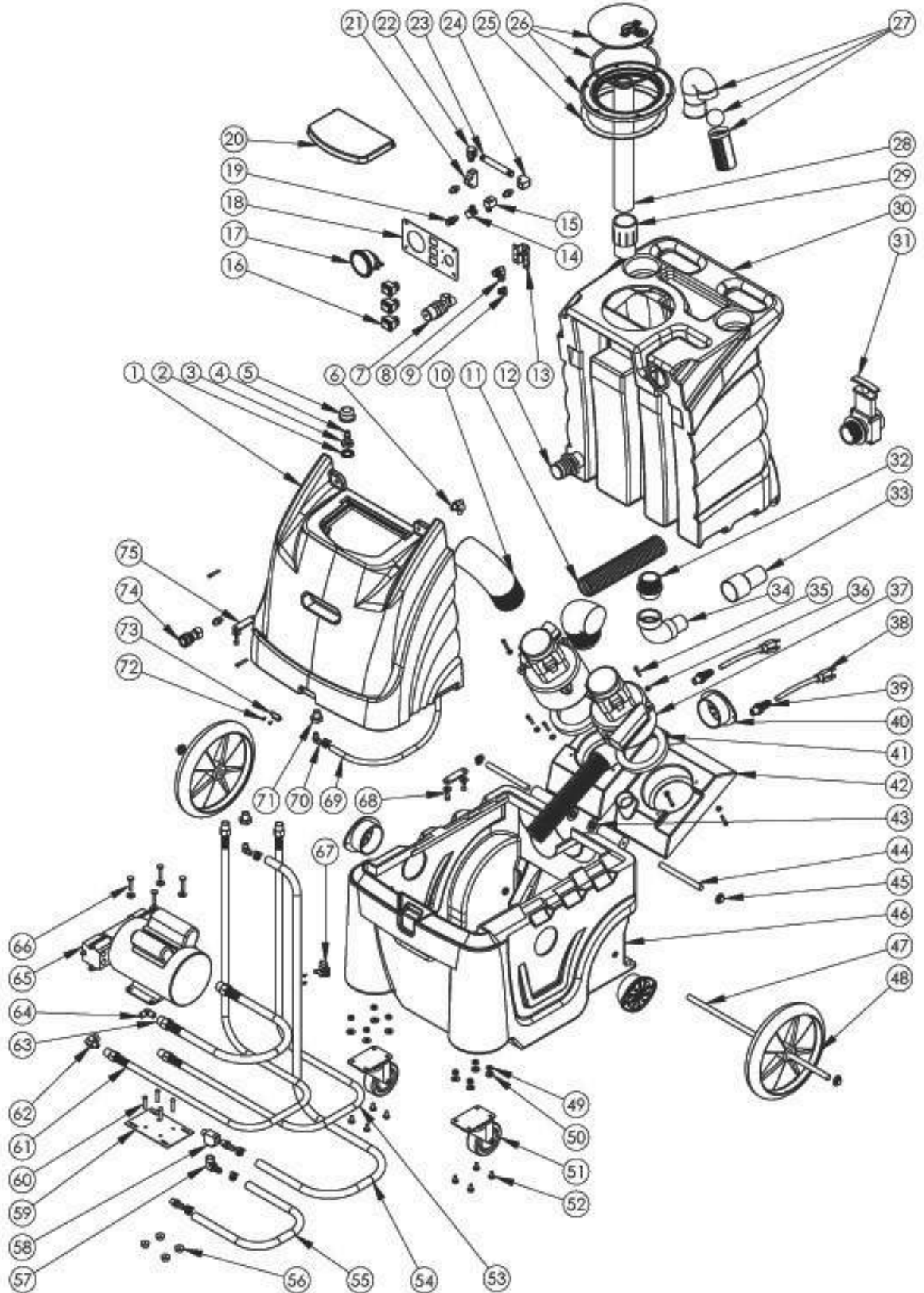


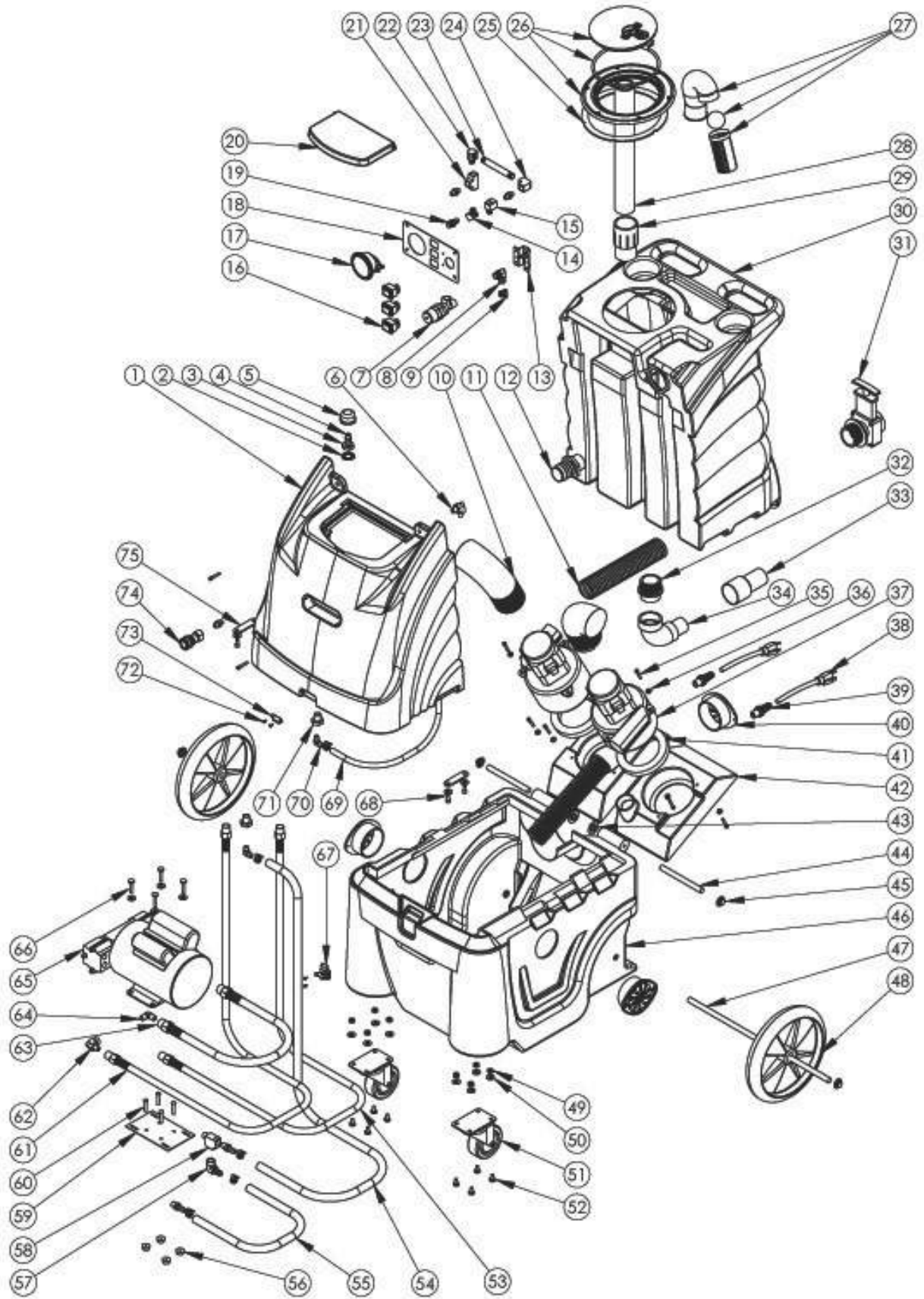
Parts - Pièces

19387
Power Clean 1200 XT-500 Box Extractor / Extracteur à tapis



Part N.	Description	-Quantity	Drawing N.
SN-12-ST-BLU	12 Gallon Solution Tank - Blue	1.00	1
Part of Solution Tank	Inserted Molded Into solution tank	-	2
S80-0017	Bulk Head Fitting	1.00	3
-	Part Of S80-0017 Bulk Head Fitting	-	4
S10-0846	1/4" MPT Hex Nipple	1.00	5
S10-0845	1/8" Strainer	2.00	6
S80-0080-UN	500 psi Regulator/Unloader	1.00	7
S80-0026	3/8 Barb x 1/4 MPT 90 Degree	3.00	8
S10-0826	3/4" Hose Clamp	5.00	9
S80-0001	Exhaust Hose	0.40	10
S80-0003-A	1-1/2" Black Lined Gray Hose	2.00	11
S10-0806	1-1/2" Grey Hose Barb Fitting	1.00	12
Bracket	Part of S80-0080 Pump	1.00	13
S80-0006	45 Degree Street Elbow	1.00	14
S80-0011	90 Degree Street Elbow	1.00	15
S10-0803	Splash-proof Switch	3.00	16
S80-0059	500 psi Gauge	1.00	17
S80-0013	500 psi Switch Plate	1.00	18
Connector	Part of S80-0059 Gauge	-	19
SN-12-L-BLU	12-Gallon Lid – Blue	1.00	20
S80-0010	1/4" Brass Tee	2.00	21
S80-0011-2	90 Degree Street Elbow	1.00	22
S80-0004	1/4" x 4" Brass Nipple	1.00	23
S10-0852	1/4" 90 Degree Brass Elbow	3.00	24
S10-0804-A	Hatch Cover Gasket	1.00	25
S10-0804	Hatch Cover	1.00	26
S80-0012	Float Assembly	1.00	27
S10-0416-A	1-1/2" Black ABS Stand Pipe	1.30	28
S80-0008	1.5 PVC Female Adapter	1.00	29
SN-12-RT-BLU	12-Gallon Recovery Tank – Blue	1.00	30
S10-0805	Dump Valve	1.00	31
S10-0849	1-1/2" ABS Fitting	1.00	32
S10-0155	Hose Cuff Straight	1.00	33
S10-0848-B	1-1/2" 90 Degree ABS Street Elbow	3.00	34
S10-0833	Motor Manifold Bolts	6.00	35
S80-0116	Spacer for Motor Screw	6.00	36
S10-0811	2-Stage Motor	2.00	37
S10-0838-A	Complete Pigtail	1.00	38
S10-0850	Strain Relief for Pigtail - Part of S10-0838-A	-	39

Parts - Pièces



19387
Power Clean 1200 XT-500 Box Extractor / Extracteur à tapis

Part N.	Description	Quantity	Drawing N.
S10-0851	Strain Relief Nut for Pigtail - Part of S10-0838-A	-	39
S10-0822	Exhaust Grate	3.00	40
S10-1030-S2	2-Stage Motor Gasket	2.00	41
SN-12-MFLD	Motor Manifold	2.00	42
S10-0830	Hinge Keeper	2.00	43
S10-0821	Hinge	2.00	44
S10-0820	End Cap for Rod	4.00	45
SN-12-MB-BLU	12-Gallon Motor Base – Blue	1.00	46
S10-0836	19" Axle	1.00	47
S10-0807	Wheels	2.00	48
S10-0834	Pump Flat Washer	18.00	49
S10-0835-N	Nut for Pump Bolt	8.00	50
S10-0808	Caster	2.00	51
S10-0816	Caster Bolt 1/4-20 x 1/2 Hex Bolt	12.00	52
S10-0843-COM	1/2" x 54" Clear Hose Pump (Includes Fittings and Filter)	1.00	53
S80-0040-C	46" of Blue 3000 psi Hose (Complete with Fittings and Clamps)	1.00	54
S80-0044-S	30" Black Hose with Fittings and Clamps	1.00	55
S10-0835-N	Nut for Pump Bolt	4.00	56
Hose Fitting	Part of S80-0044-S	-	57
Hose Fitting	Part of S80-0040-C	-	58
S80-0015	500 psi Pump Mount Plate	1.00	59
S10-0833	Motor Manifold Bolts	4.00	60
S80-0044-L	67" Black Hose with Fittings and Clamps	1.00	61
Hose Fitting	Part of S80-0044-L	-	62
Hose Fitting	Part of S80-0044-S	-	63
S10-0881	1/4" MNPT x 3/8" JIC 90 Degree - Part of S80-0044-S	1.00	64
S80-0016	500 psi Pump	1.00	65
S10-0835-B	Pump Bolt	4.00	66
S10-0400-D	Keeper for Latch	1.00	67
S10-0832	S/R Strap Bolts	4.00	68
S10-0040	3000 psi Blue Hose - Part of S80-0040-C	6.00	69
S80-0026	3/8" Barb x 1.4" MPT 90 Degree - Part of S80-0040-C	1.00	70
S80-0017	Bulk Head fitting	3.00	71
S10-0379	8-32 x 3/8 Screw	8.00	72
S10-0400-C	Latch	1.00	73
S10-0868	1/4" Female QD	1.00	74
S10-0831	S/R Bracket	2.00	75