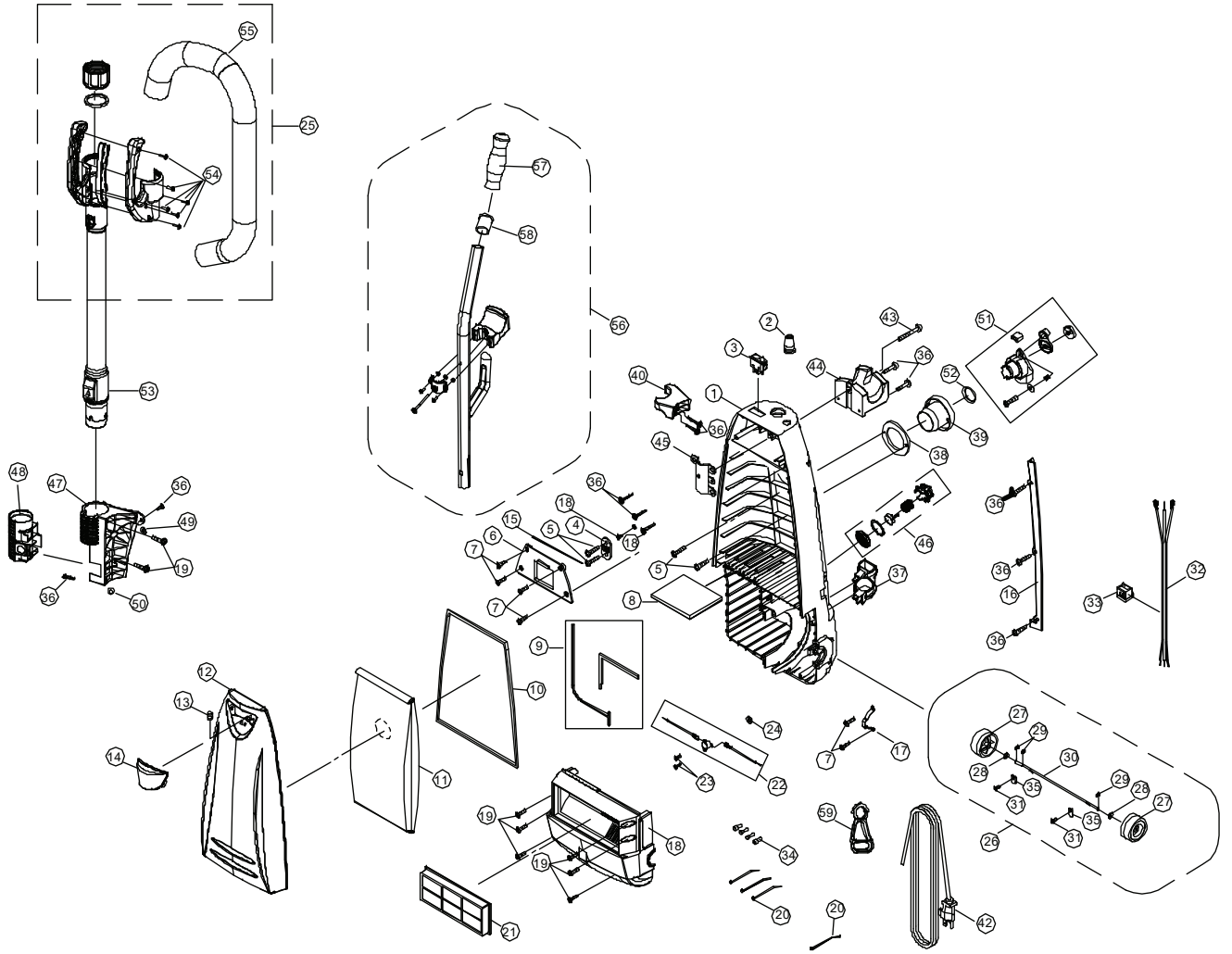


Parts - Pièces

Body



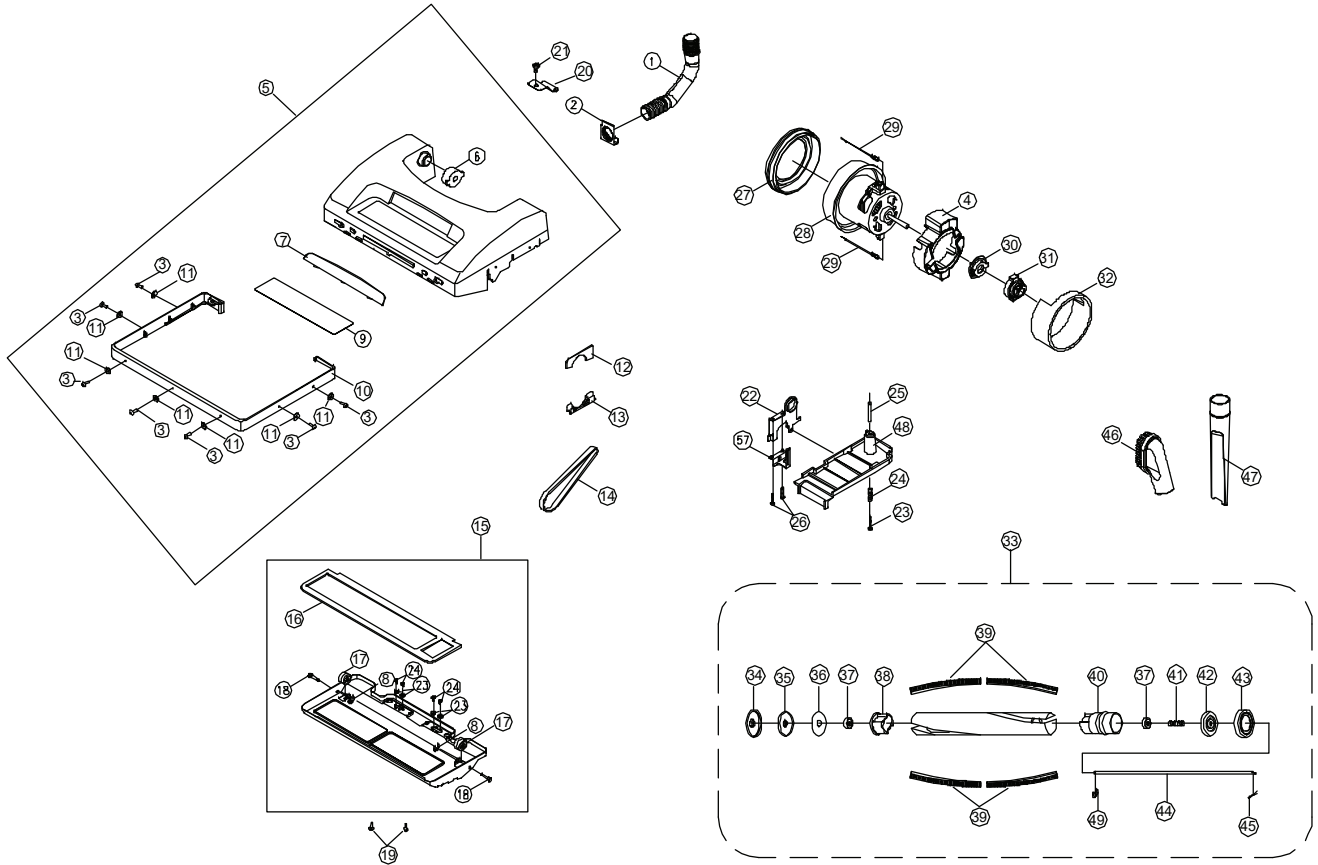
71000
Tracker Upright Vacuum

Body

Ref.	Part N.	Description
1	71050	Dust Compartment
2	71051	Boot Strain Relief
3	71052	Seesaw Switch
4	71053	Cord Holder
5	71054	Screw
6	71055	Inner Switch Cover
7	71056	Screw
8	71057	Secondary Filter
9	71058	Motor Cover Seal Kit
10	71059	Dust Compartment Seal
11	71060	Paper Bag Pkg. of 12
12	71061	Dust Cover
13	71062	Latch Spring
14	71063	Dust Cover Release Handle
15	71064	Seal f/Inner Switch Cover
16	71065	Wire Harness Cover
18	71066	Motor Cover
19	71067	Screw
20	71068	Zip Tie
21	71069	Hepa Filter
22	71070	Thermal Switch
23	71071	Screw
24	71072	Switch Seal
25	71073	Handle Grip Assembly /Hose
27	71074	Rear Wheel
28	71075	Washer
29	71076	E-Ring
30	71077	Rear Wheel Shaft
31	71078	Screw
32	71079	Motor Cord/ Wire Assembly
33	71080	Wire Bushing
34	71081	Wire Connector
35	71082	Axle Clamp
36	71083	Screw
37	71084	On-Board Tools Holder
38	71085	Swivel Inlet Gasket
29	71086	Paper Bag Inlet
40	71087	Wand Holder
42	71088	Power Cord 50' Yellow
43	71089	Handle Screw
44	71090	Hose Hanger
46	71091	Relief Valve Assembly
48	71092	Quick-Draw Clean Out
50	71093	Nut
51	71094	Suction Inlet Complete
52	71095	Inlet Seal
53	71096	Quick-Draw Wand Assembly
54	71097	Screw
55	71098	Stretch Hose Only
56	71099	Handle Assembly Complete
57	71100	Rubber Handle Grip
58	71101	Handle End
59	71102	Cord Clip

Parts - Pièces

Nozzle



Nozzle

Ref.	Part N.	Description
1	71150	Nozzle Hose
2	71151	Hose Fitting
3	71152	Rivet
5	71153	Nozzle Housing w/Furniture Guard
6	71154	Plastic Housing
7	71155	Lens Plate Black
8	71156	Base Plate Springnut
10	71157	Furniture Guard
12	71158	Felt Packing
13	71159	Vented Support Fitting
14	71160	Belt
15	71161	Bottom Plate Assembly
16	71162	Packing Lower Plate Assembly
17	71163	Base Plate Wheel
18	71164	Base Plate Wheel Pin
19	71165	Bottom Plate Set Screw
20	71166	Positioning Spring
21	71167	Screw
22	71168	Pedal Frame
23	71169	Screw
24	71170	Spring
25	71171	Spring Pin
26	71172	Screw
28	71173	Motor
31	71174	Pivot Sleeve
32	71175	Sound Suppressor
33	71176	Pinned Brush Roll Assembly Complete
34	71177	Rubber End Cover (Left)
35	71178	Left Cover
36	71179	Felt Cover
37	71180	Bearing
38	71181	Agitator Bearing Holder
39	71182	Agitator Brush Strip
46	71183	Round Brush (Natural Bristles)
47	71184	Crevice Tool
48	71185	Belt Cover
49	71186	E-Clip