

# Parts Manual Manuel de pièces



## Hurricane 400 XTT

---

Automatic Scrubber

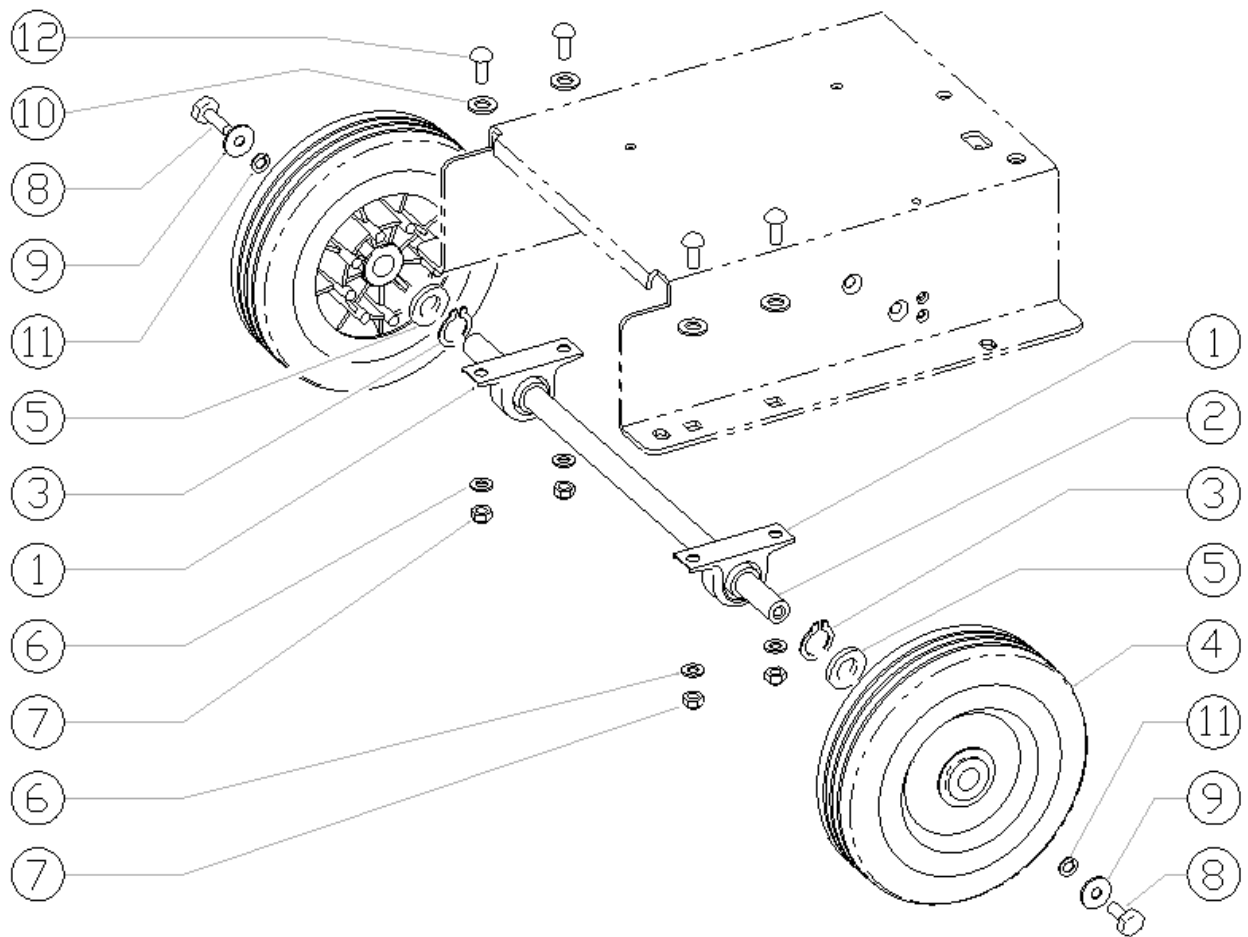
Code: 19319

Serial #: \_\_\_\_\_

Date of Purchase: \_\_\_\_\_

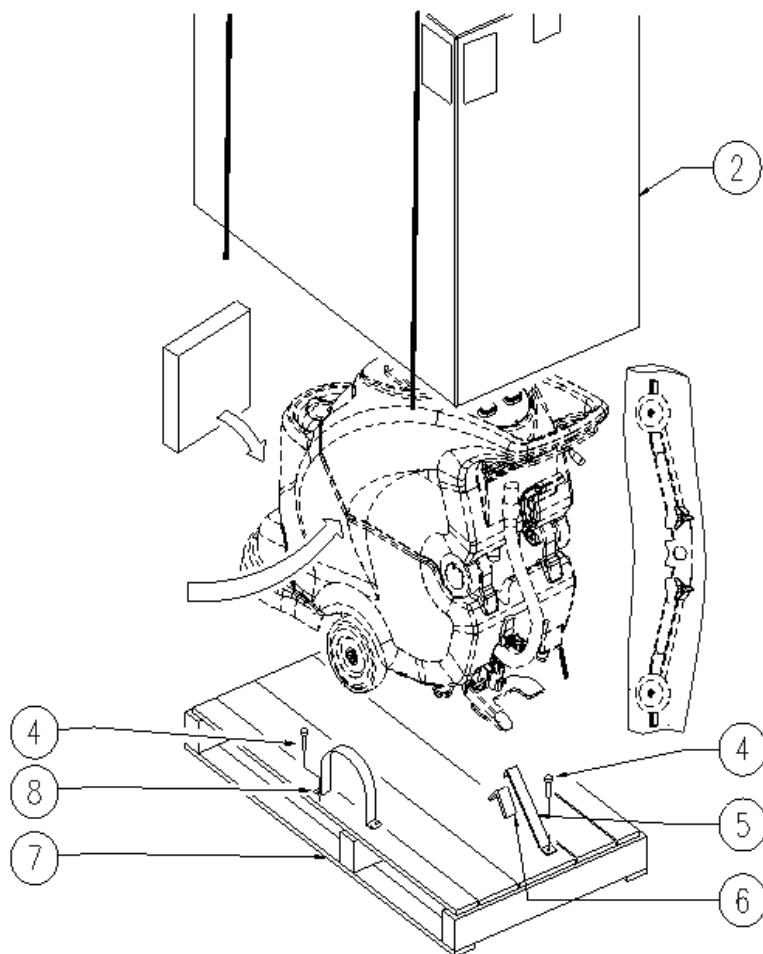
More info : [www.dustbane.ca](http://www.dustbane.ca)  
09-2012

## Wheels Axle



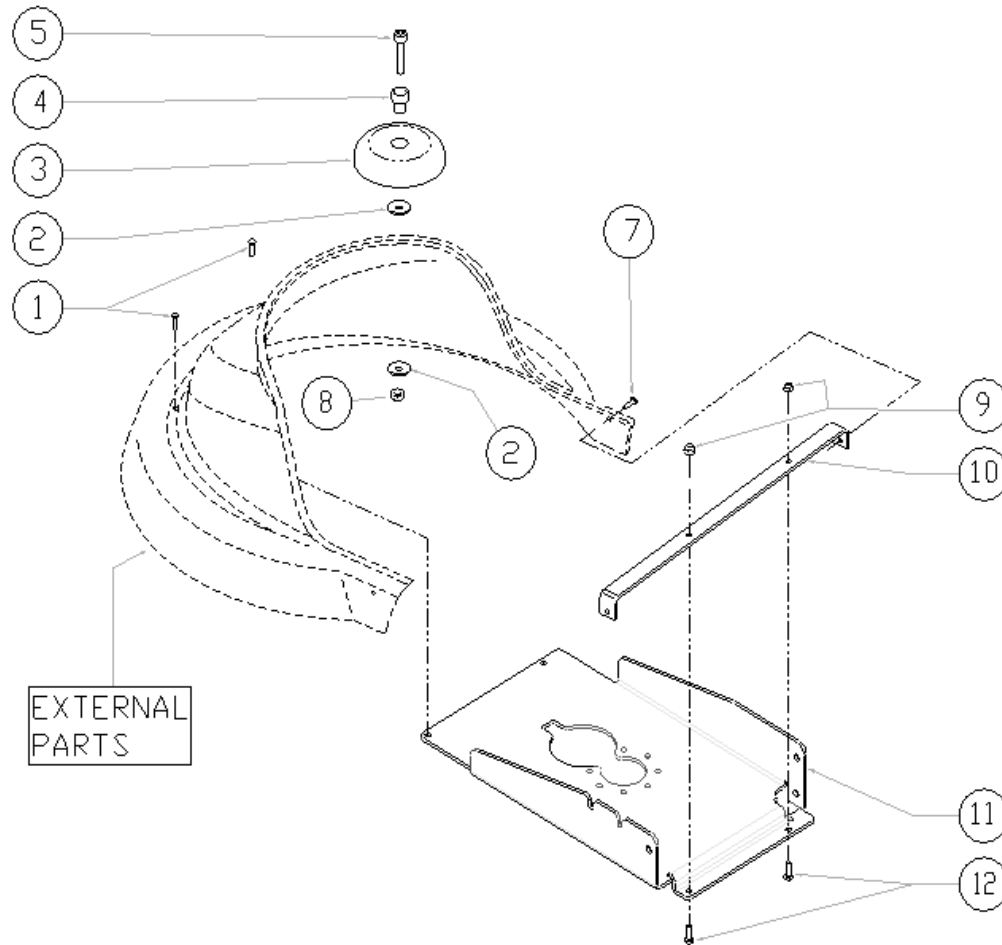
Ref.	Part N.	Description	Quantity	Validity From	Validity To
1	3CUVR49833	BALL BEARING SBPP 203	2		
2	3ALTR00088	AXLE	1	May-09	
2	3LAFN35746	WHEELS AXLE LAV. E/B 450	1		May-09
3	3VTAE00065	RING D17 UNI7435 INOX	2		
4	3RTRT00366	WHEEL D200 X CLT 40	2		
5	3VTRS00378	WASHER 17,5X32X1,5	4	Sep-12	
5	3VTRS21763	WASHER D.17	2		Sep-12
6	3VTRS13947	WASHER D. 8 INX UNI 6592	4		
7	3VTDD01695	NUT M 8 INX	4		
8	3VTVT15916	SCREW TE M 8X 16 UNI 5739 A2	2		
9	3VTRS13946	WASHER D. 8 X24 INX UNI 6593	2		
10	3VTRS15978	WASHER D.12X24 UNI 6592 INX	4		
11	3VTRS15146	WASHER D. 8 INX GRW UNI 1751	2		
12	3VTVT00842	SCREW	4		

## Packing



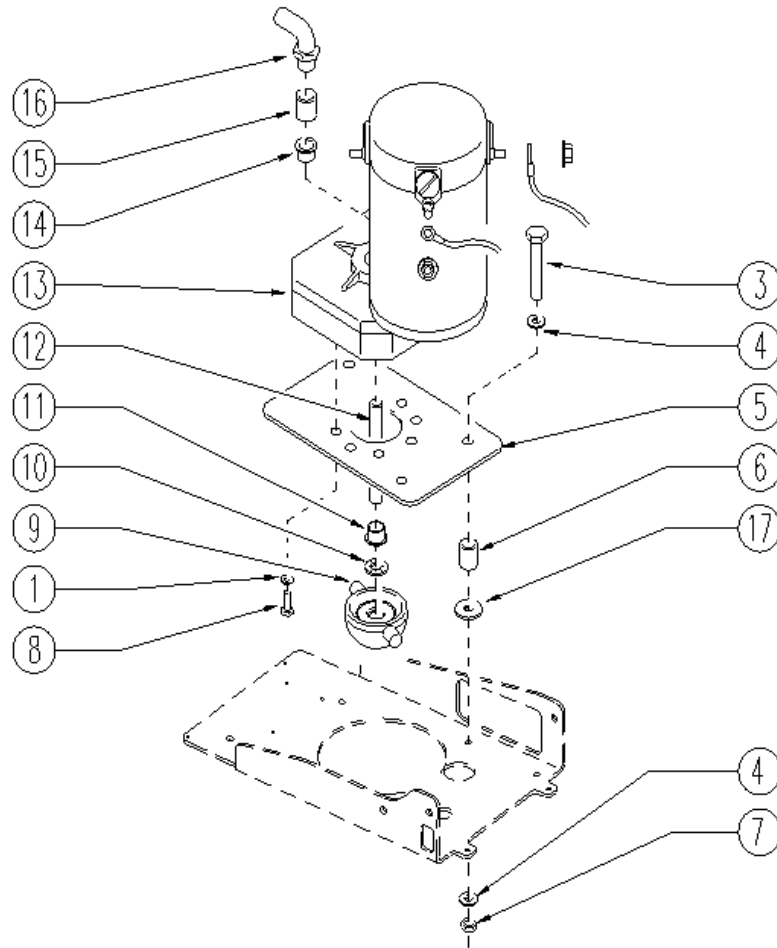
Ref.	Part N.	Description	Quantity	Validity From	Validity To
2	3MICT00147	CARTON IMBALLO RULLI	1		
4	3VTVT00043	SCREW AUTOF.LEGNO 4,5X25 TS BR	9		
5	3MIVR00137	CLAMP RUOTA POSTERIORE X IMBAL.	1		
6	3GUGO00009	MOUSSE	0,05		
7	3MIBA00077	PALLET RULLI	1		
8	3MIVR00135	CLAMP RUOTA POSTERIORE X IMBAL.	2		

## Motor Support



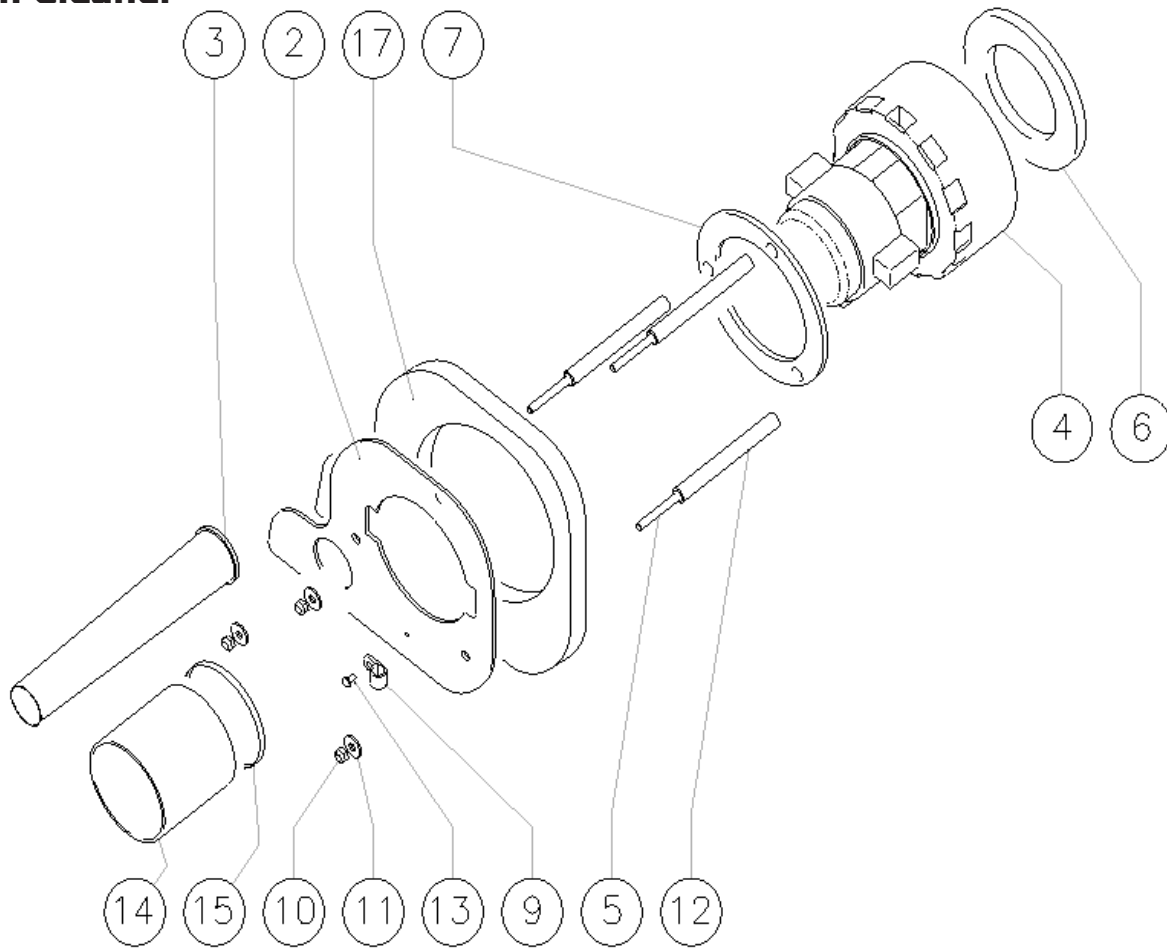
Ref.	Part N.	Description	Quantity	Validity From	Validity To
1	3VTVT00659	SCREW TC+ M. 4-15	2		Feb-10
1	3VTVT01366	SCREW M4X16	2	Feb-10	
2	3VTRS13946	WASHER D. 8 X24 INX UNI 6593	2		
3	3MPVR05290	ROLLER PARACOLPI	1		
4	3LAFN03915	BUSHING NUOVO RUOTINO STRONG	1		
5	3VTVT00822	SCREW TCEI M 8-30	1	Jun-09	
5	3VTVT17349	SCREW TCEI M 8X30	1		Jun-09
7	3VTVT01366	SCREW M4X16	2		
8	3VTDD01695	NUT M 8 INX	1		
9	3VTDD15518	NUT M 6 INX	2		
10	3LAFN05899	SUPPORT BRACKET CARTER 1 EXTREME	1		
11	3LAFN07373	PLATE RIDUTTORE	1		
12	3VTVT15143	SCREW TE 6X16 UNI5739	2		

# Head



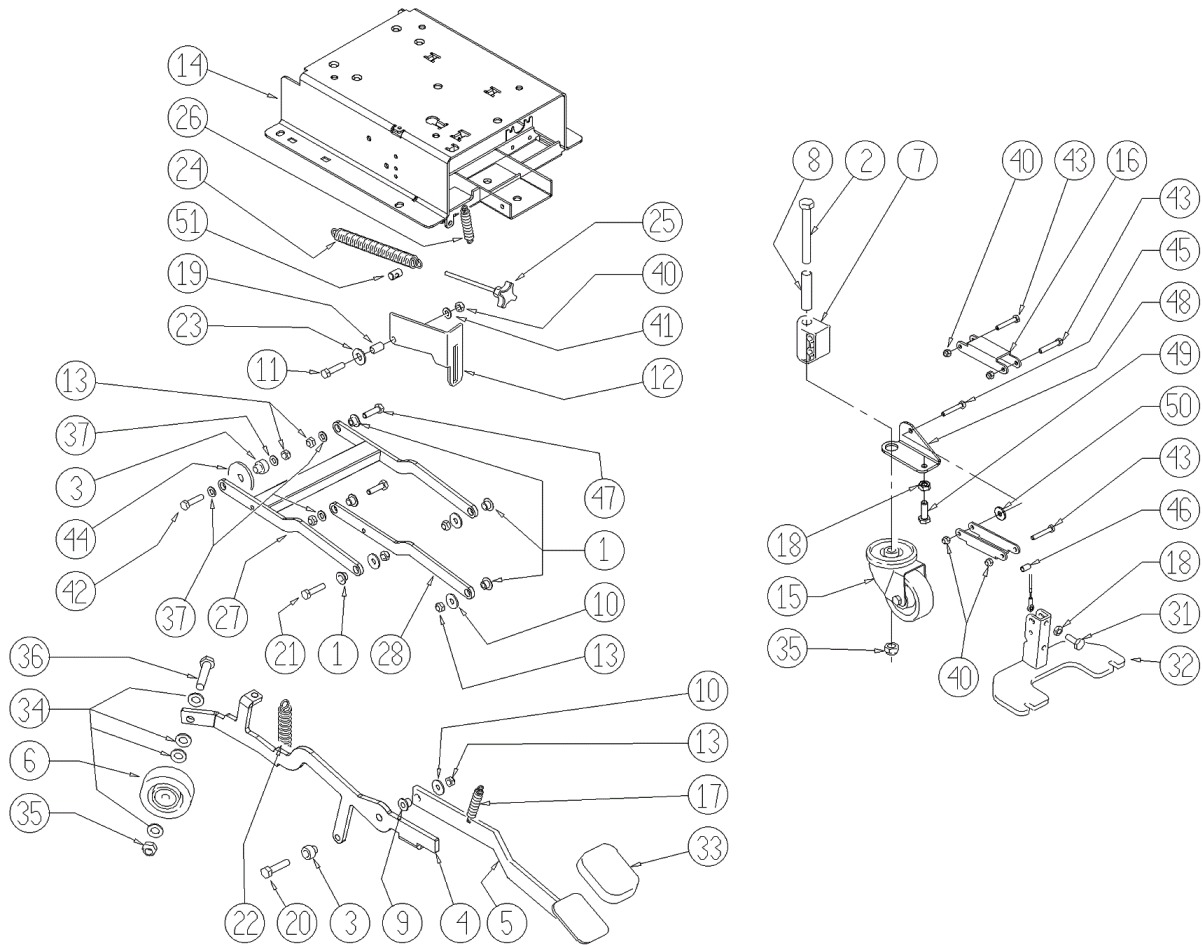
Ref.	Part N.	Description	Quantity	Validity From	Validity To
1	3VTRS15144	WASHER D. 6 INX GRW UNI 1751	8		
3	3VTVT13937	SCREW TE M 8X 30 INX UNI 5739	4		Mar-08
4	3VTRS13947	WASHER D. 8 INX UNI 6592	4		Mar-08
5	3LAFN05920	FLANGE RIDUTTORE	1		Mar-08
6	3RCDS34717	BUSHING D. 9X12X 8.3	4		Mar-08
7	3VTDD01695	NUT M 8 INX	4		Mar-08
8	3VTVT15906	SCREW TE 6X 12 A2 UNI 5739	8		
9	3MFVR00134	DRIVE DISK SPAZZOLE	1		
10	3MPVR02997	CLIP ANELLO X PERNO D10	1		May-09
10	3VTVR00416	HANDWHEEL M 6MAX110 D.35	1	May-09	
11	3CUVR43254	BUSHING CB 85 1010 18T	1		
12	3LAFN04202	TUBE SOLUZIONE INOX D10	1		
13	3MOCC00298	MOTOR.GEARBOX MRP6	1		Feb-08
13	3MOCC00327	MOTOR GEARBOX 24V 550W	1	Feb-08	
13	3MOCC00344	BRUSH	4		
14	3CUVR43254	BUSHING CB 85 1010 18T	1		
15	3LAFN51028	BUSHING	1		
16	3RCVR45752	HOSE FITTING "L" 3/8M - D.10 PLS.	1		
17	3VTRS00241	WASHER D. 8-24	4		Mar-08

## Vacuum Cleaner



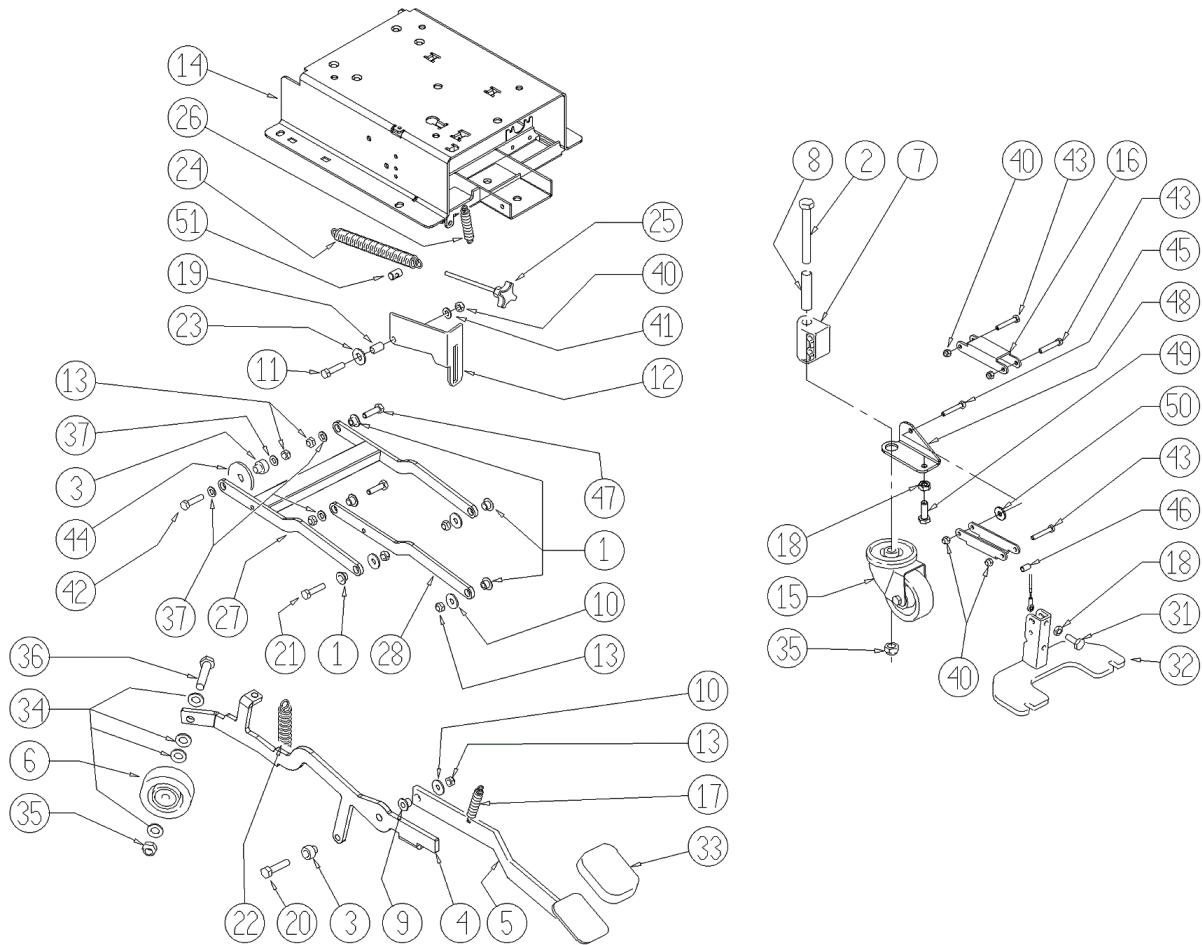
Ref.	Part N.	Description	Quantity	Validity From	Validity To
2	3LAFN06363	FLANGE ASPIRATORE	1		
3	3MPVR05259	TUBE SCARICO	1	Jun-07	
3	3TBFX00244	TUBE D 34 L200MM	1		Jun-07
4	3MEVR05200	CARBON MOTORE ASP.AMET.116599-13	2		
4	3MOCC00253	MOTOR ASPIR.BIST.24V	1		Nov-08
4	3MOCC00349	MOTOR VACUUM 2 STAGES 24V	1	Nov-08	
5	3VTVR00198	ROD	3		
6	3GUGO00272	GASKET VACUUM MOTOR CT	1		
7	3MPVR04724	FLANGE IN NYLON	1		
9	3FSVR00099	CLAMP FERMATUBO	1		
10	3VTDD01694	NUT M6 INOX	3		
11	3VTRS13945	WASHER D. 6X18 INX UNI 6593	3		
12	3LAFN51078	SPACER SH	3		
13	3VTVT00813	SCREW M 4X 8 TCB-TC UNI 8112	1		
14	3TBFX00268	SUCTION HOSE D80 L=80MM	1		Apr-07
14	3TBFX00312	TUBE ASPIRAZIONE	1	May-07	
15	3FSVR00118	CLAMP D.94	1	May-07	
15	3FSVR00500	CLAMP 80-100 INOX	1		Apr-07
17	3MPVR05103	SOUND-PROOFING ASPIRATORE	1		

# Frame



Ref.	Part N.	Description	Quantity	Validity From	Validity To
1	3LAFN06391	BUSHING PARALLELOGRAMMA	5		
2	3VTVT24212	SCREW TE M 12X100 UNI 5737 INOX	1		
3	3LAFN04190	BUSHING PARALLELOGR.TEST.GR.	2		
4	3LAFN07872	LEVER	1		
5	3LAFN07602	LEVER	1		
6	3RTRT49171	CASTER D. 80-12	1		
7	3MPVR04734	BLOCK TERGI	1		
8	3LAFN09006	PIN	1		
9	3LAFN51068	BUSHING LEVA POSTER.	1		
10	3VTRS13946	WASHER D. 8 X24 INX UNI 6593	4		
11	3VTVT00161	SCREW TE M6X20	1		
12	3LAFN10124	PLATE	1		
13	3VTDD01695	NUT M 8 INX	7		
14	3LAFN07293	BASE SERBATOIO	1		
15	3RTRT00276	SMALL WHEEL GIREVOLE PER SPAZZANTE	1		
16	3LAFN05853	LEVER ARM SOLLEVAMENTO TERGI	2		
17	3MLML34726	SPRING TR E350 N	1		

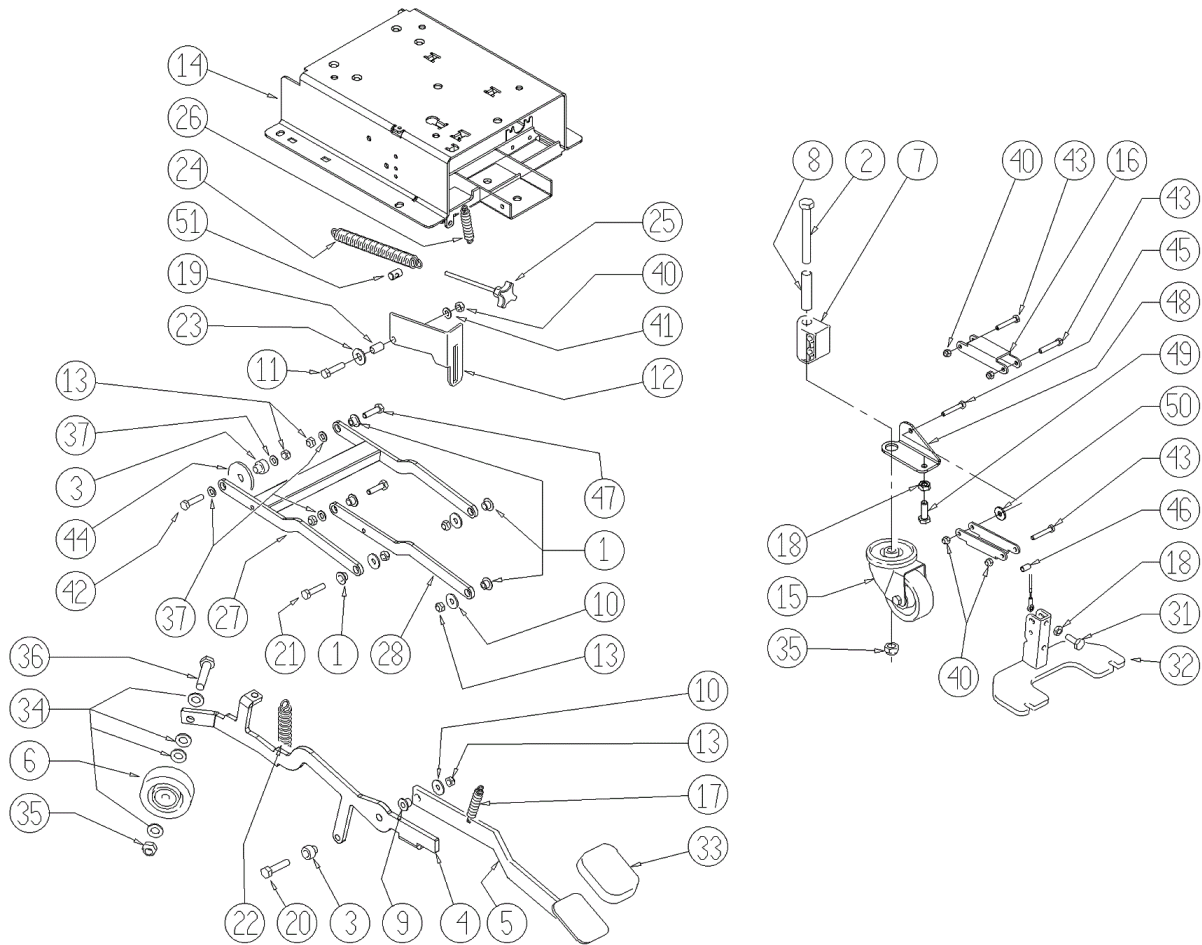
# Frame



Ref.	Part N.	Description	Quantity	Validity From	Validity To
18	3VTDD15521	NUT M 8 INX A2 UNI 5588	1		
19	3LAFN03840	BUSHING	1		
20	3VTVT15917	SCREW TE M 8X50 INOX A2 UNI	1		
21	3VTVT15907	SCREW TE 8X25 UNI5739 INX	3		
22	3MLML00313	SPRING	1		
23	3VTRS00274	WASHER NYLON 66 D.8,4-17-2 UNI	1		
24	3MLML31130	SPRING D. 17.5 X110 N38	1		
25	3VTVR35749	HANDWHEEL M 6MAX110 D.35	1		
26	3MLML00303	SPRING REGISTRAZIONE FLAP	1		
27	3LAFN06388	ARM TESTATA SUPERIORE	1		
28	3LAFN06389	ARM PARALLELOGRAMMA	1		
31	3VTVT00410	SCREW TE M8x35 UNI5739 INOX	1		
32	3LAFN07560	PLATE	1		
33	3MPVR05186	COVER	1		
34	3VTRS15978	WASHER D.12X24 UNI 6592 INX	4		
35	3VTDD00176	NUT M.12 INOX A2 BASSO AUTOB.	2		
36	3VTVT00836	SCREW TE M12-60 INOX	1		

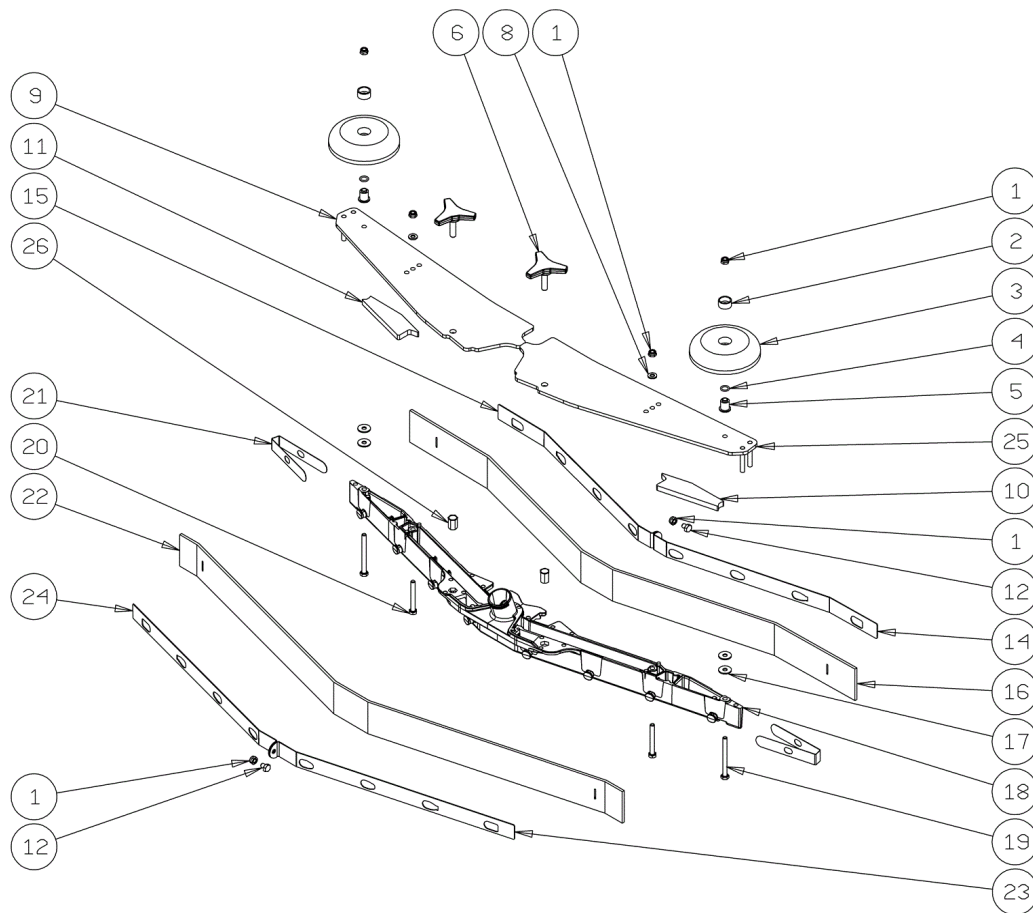


# Frame



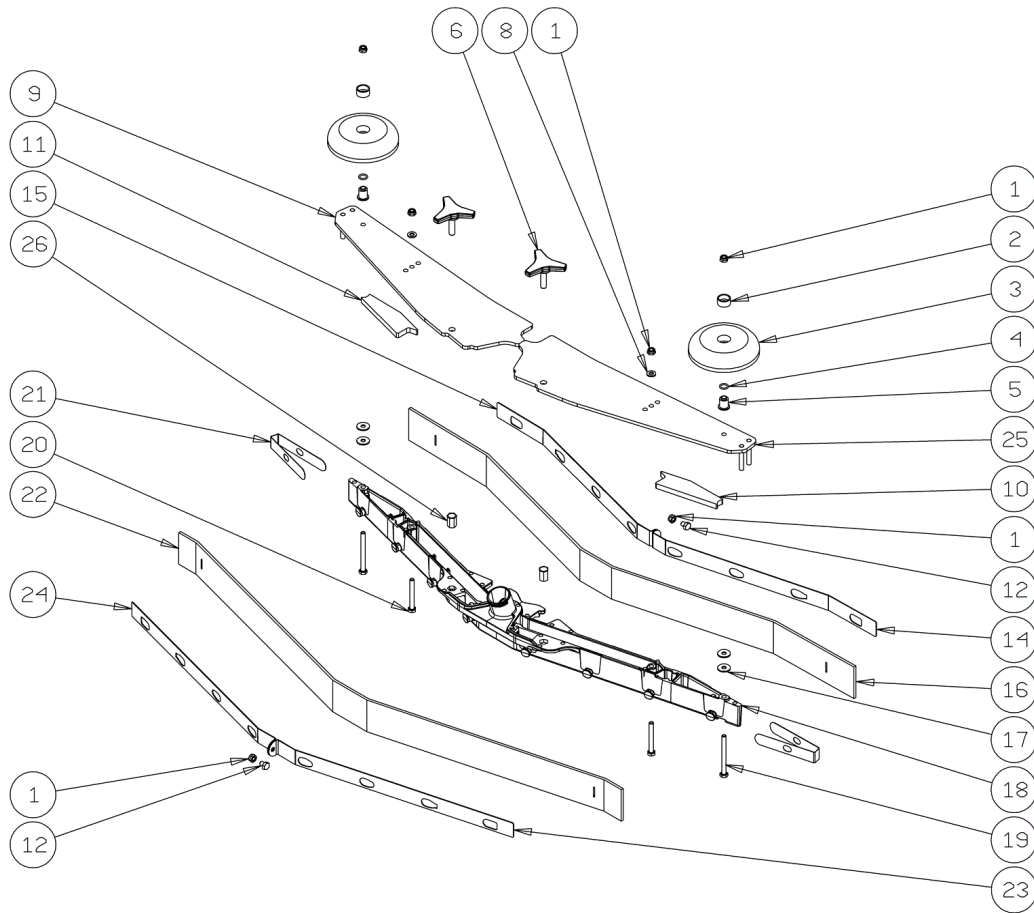
Ref.	Part N.	Description	Quantity	Validity From	Validity To
37	3VTRS13947	WASHER D. 8 INX UNI 6592	4		
40	3VTDD01694	NUT M6 INOX	5		
41	3VTRS00245	WASHER D.6 UNI 6592 INOX	1		
42	3VTVT00410	SCREW TE M8x35 UNI5739 INOX	1		
43	3VTVT01683	SCREW TE 6X40	3		
44	3MPVR05134	GASKET D.60 FORO D.12 SP.2	1		
45	3VTVT01684	SCREW TE 6X45	1		
46	3LAFN06898	SPACER 6-8 h15	1		
47	3VTVT13937	SCREW TE M 8X 30 INX UNI 5739	2		
48	3LAFN08999	BRACKET	1		
49	3VTVT13938	SCREW TE 8X20 UNI5739 INX	1		
50	3VTRS13945	WASHER D. 6X18 INX UNI 6593	1		
51	3LAFN35747	SPRING SUPPORT LAV. E/B 450	1		

# Floor Wiper



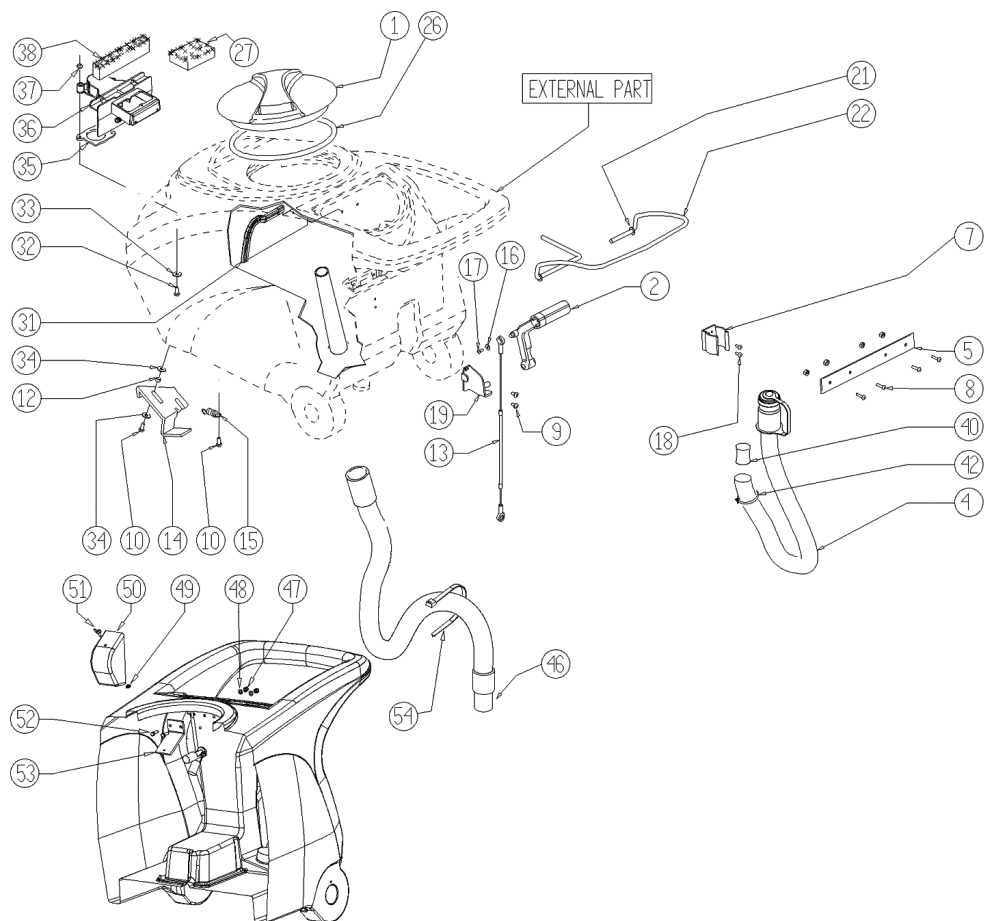
Ref.	Part N.	Description	Quantity	Validity From	Validity To
1	3VTDD01694	NUT M6 INOX	6		
2	3MPVR49229	BUSHING SHK	2		
3	3MPVR05290	ROLLER PARACOLPI	2		
4	3GUGO00164	GASKET	2		
5	3LAFN04100	SPACER PER RUOTINO PARACOLPI	2		
6	3MPVR06003	KNOB AISI 304	2		
8	3VTRS00245	WASHER D.6 UNI 6592 INOX	2		
9	3LAFN09012	PLATE	1		
10	3GUVR00301	GASKET	1		
11	3GUVR00300	GASKET	1		
12	3VTVT01161	SCREW M6x8	2		
14	3LAFN08948	BRACKET	1		
15	3LAFN08949	BRACKET	1		
16	3MPVR05800	RUBBER BLADE FRONT SQUEEGEE S PU	1		
17	3VTRS13945	WASHER D. 6X18 INX UNI 6593	4		
18	3KTRI02048	BODY SQUEEGEE PRESSOFUSO "S"	1		
19	3VTVT00841	SCREW TE M 6X65 UNI 5739 INX	2		

# Floor Wiper



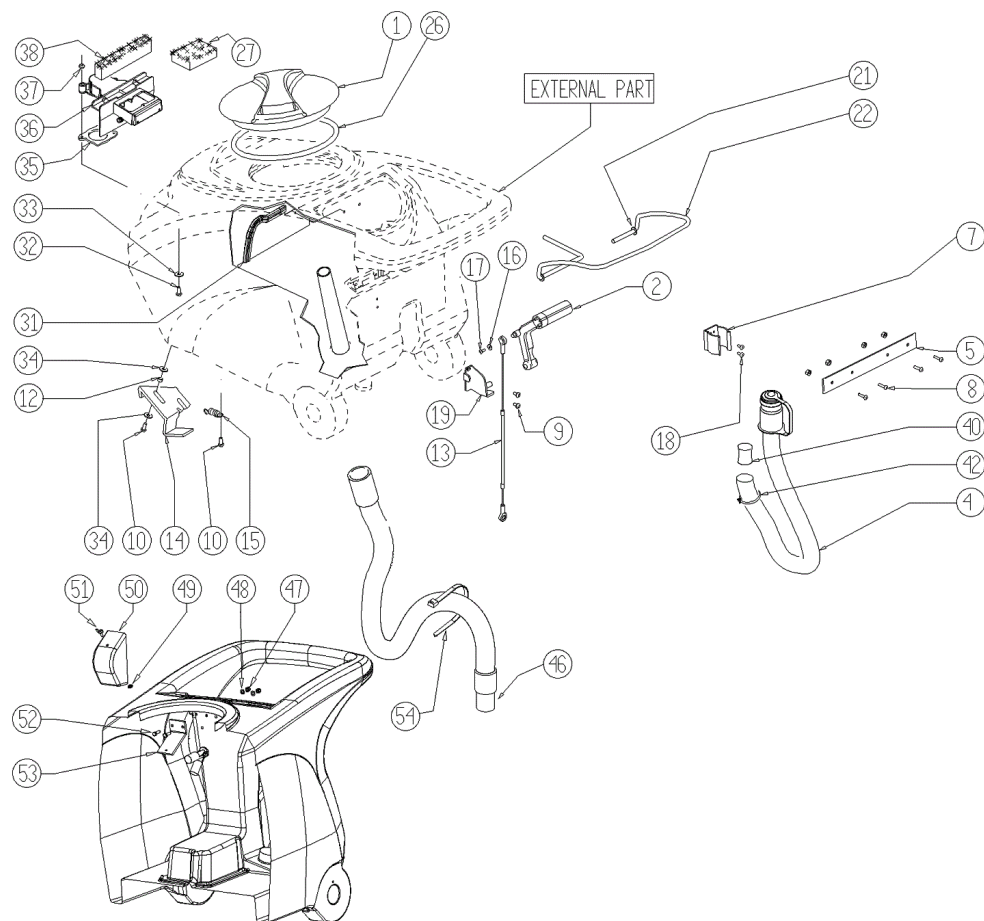
Ref.	Part N.	Description	Quantity	Validity From	Validity To
20	3VTVT15515	SCREW TE M 6X 50 INOX A2	2		
21	3MPVR05897	CLOSURE S	2		
22	3MPVR05802	RUBBER REAR SQUEEGEE S PU	1		
23	3LAFN08950	BRACKET	1		
24	3LAFN08951	BRACKET	1		
25	3LAFN09013	PLATE	1		
26	3VTVR00565	INSERT	2		

# Tank



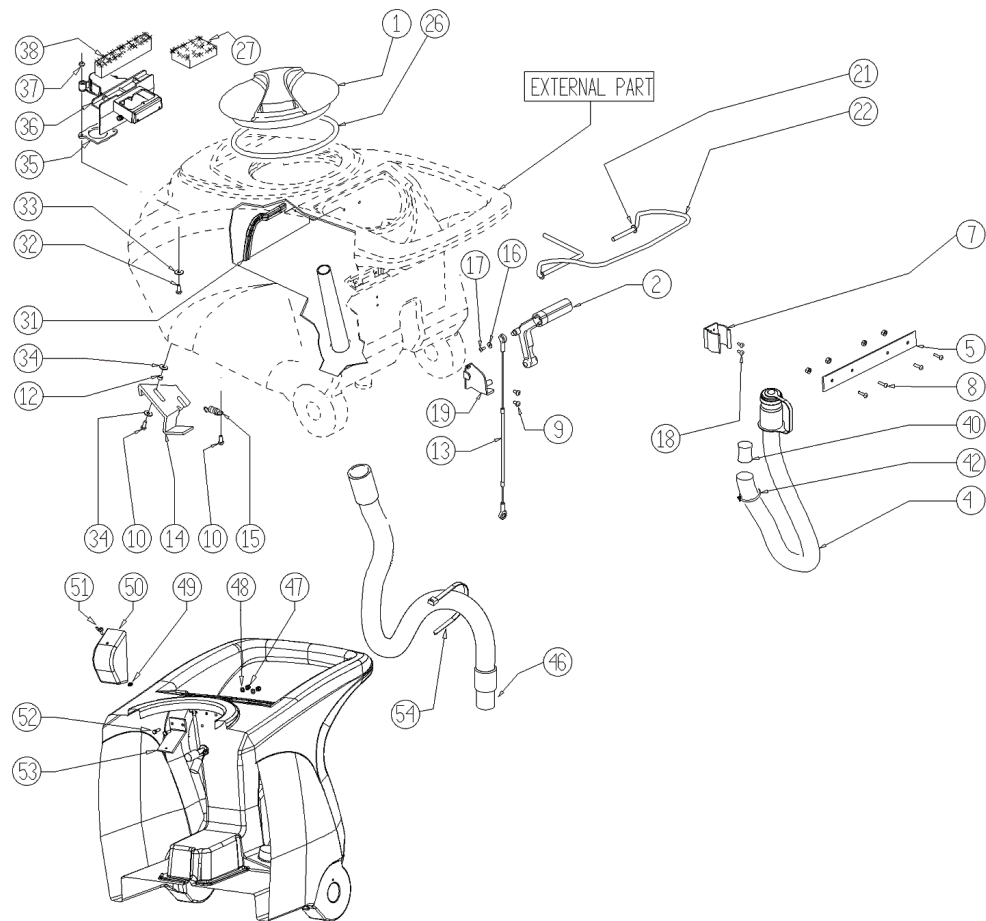
Ref.	Part N.	Description	Quantity	Validity From	Validity To
1	3MPVR04051	TANK CAP	1		
2	3MPVR49942	LEVER SHK PP	1		
3	3VTDD01694	NUT M6 INOX	4		
4	3TBFX00348	TUBE CT40-70-90 HOSE DRAIN	1		
5	3LAFN05865	PLATE COPRILEVA CONSENSO	1		
7	3MPVR46988	CLIP LAV. SHK	1		
8	3VTVT07725	SCREW TE 5X16 UNI5739 INX	4		
9	3VTVT15906	SCREW TE 6X 12 A2 UNI 5739	2		
10	3VTVT15143	SCREW TE 6X16 UNI5739	3		
12	3LAFN03626	SPACER	1		
13	3CMCV00361	CABLE	1		
14	3LAFN06490	HANDLE	1		
15	3MLML00203	SPRING	1		
16	3VTRS00251	WASHER 4-16 INOX A2	1		
17	3VTVT00800	SCREW TC 4X12 ZN	1		
18	3VTVT21096	SCREW TE M 4X 10 INX	2		
19	3LAFN05870	BRACKET LEVA SOLLEVAM. SQUEEGEE	1		

# Tank



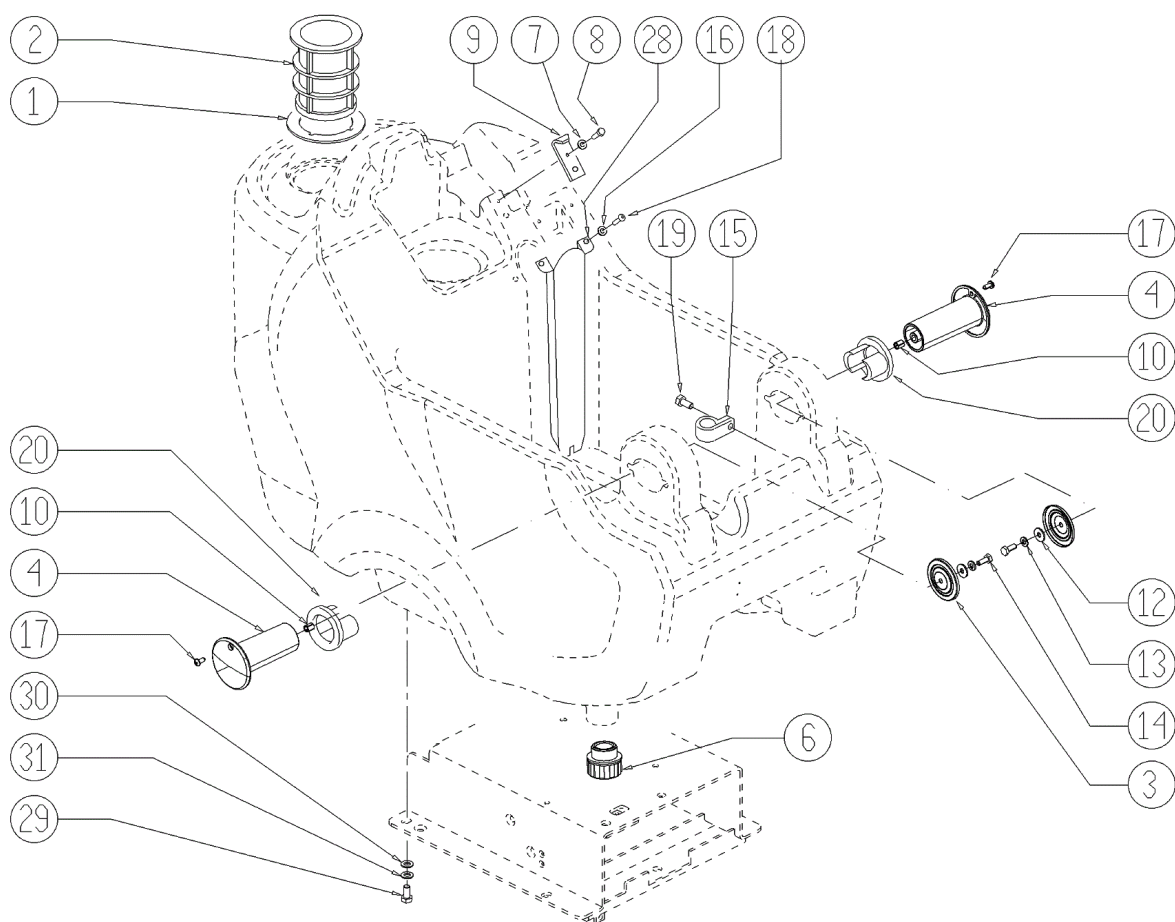
Ref.	Part N.	Description	Quantity	Validity From	Validity To
21	3VTRS13947	WASHER D. 8 INX UNI 6592	2		
22	3LAFN05861	LEVER CONSENSO SPAZZOLE	1		
26	3GUGO00263	GASKET CIRCOLARE TAPPO	1		
27	3FTDP00133	FILTER	1		
31	3MPVR07074	PLATE	1		
32	3VTVT00814	SCREW TE M.4-25	2		
33	3VTRS00515	WASHER D. 4 INX	2		
34	3VTRS00274	WASHER NYLON 66 D.8,4-17-2 UNI	4		
35	3GUGO00417	GASKET SCATOLA ASPIRAZIONE	1		
36	3MPVR05482	BOX	1		
37	3VTDD15925	NUT M 4 INX	2		
38	3GUGO00418	GASKET CONDOTTO ASPIRAZIONE	1		
40	3GUGO00245	GASKET	2		
42	3FSVR43136	CLAMP D. 35-40 DF.	1		
46	3TBFX00353	TUBE PU CT70-CT90	1		
47	3VTDD01693	NUT M 5 INX	2		
48	3VTRS00516	WASHER D. 5 INX	4		

# Tank



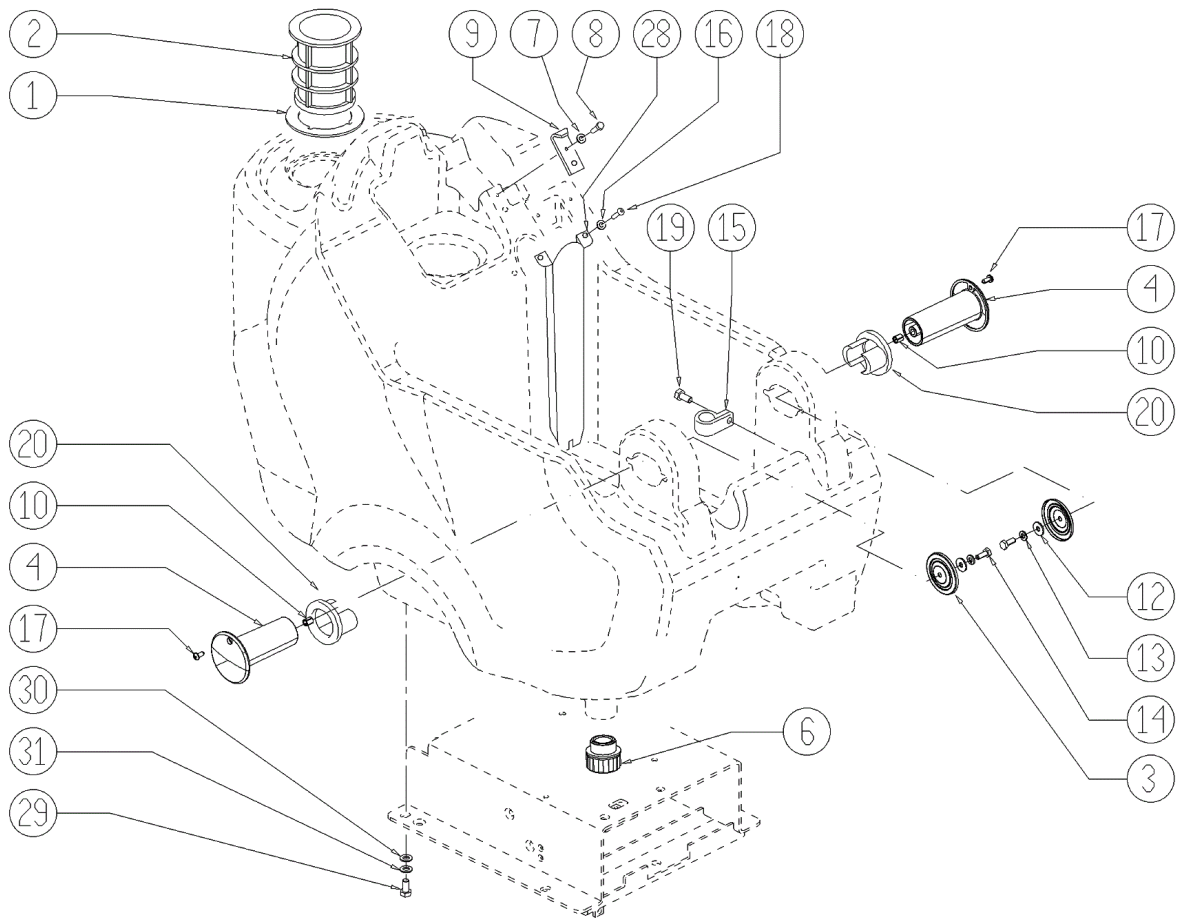
Ref.	Part N.	Description	Quantity	Validity From	Validity To
49	3VTVR01038	WASHER	1		
50	3MPVR05596	PROTECTION	1		
51	3VTVT01150	SCREW 4x10	1		
52	3VTVT07726	SCREW TE 5X20	2		
53	3LAFN07631	BRACKET	1		
54	3FSVR00248	CLAMP	1		

## Water Tank



Ref.	Part N.	Description	Quantity	Validity From	Validity To
1	3GUGO00267	GASKET FILTRO	1		
2	3FTAC48857	FILTER ASP. ACQUA SERB. LAVAP.	1		
3	3LAFN07800	SHEET METAL PA.	2		
4	3MPVR48695	PIN SHK.BK	2		
6	3MPVR08003	CAP	1		
7	3VTRS15144	WASHER D. 6 INX GRW UNI 1751	1		
8	3VTVT01303	SCREW TE M6-10 INOX	1		
9	3LAFN06489	PLATE	1		
10	3VTVR48693	INSERT M6 D.9	1		
12	3VTRS13945	WASHER D. 6X18 INX UNI 6593	2		
13	3VTRS15144	WASHER D. 6 INX GRW UNI 1751	2		
14	3VTVT15143	SCREW TE 6X16 UNI5739	2		
15	3FSVR00099	CLAMP FERMATUBO	2		
16	3VTRS00515	WASHER D. 4 INX	2		
17	3VTVT48694	SCREW TCB TC 5 X12 UNI 9707 TZ	2		
18	3VTVT37012	SCREW M 4X 10 TCB-TC INX	2		
19	3VTVT15961	SCREW M 5X 16 TCB TC UNI 7687	1		

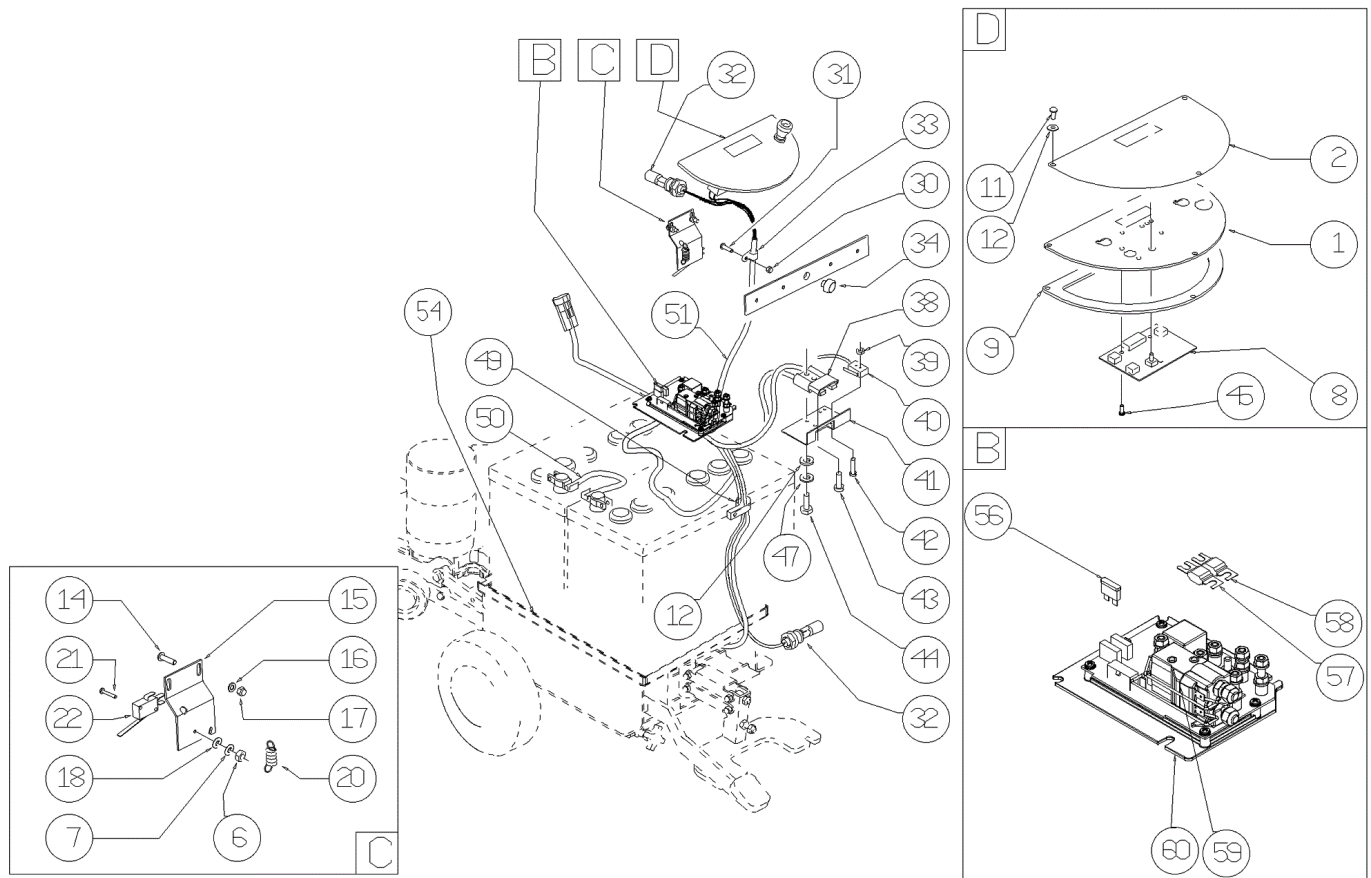
## Water Tank



Ref.	Part N.	Description	Quantity	Validity From	Validity To
20	3PMVR02028	RUBBER GRUPPO MONTAGGIO	2		
28	3MPVR51085	FLAP POSTER.TERGI 950 MAGG.	1		
29	3VTVT15916	SCREW TE M 8X 16 UNI 5739 A2	4		
30	3VTRS13947	WASHER D. 8 INX UNI 6592	4		
31	3VTRS00269	WASHER D. 8 DIN 6798-A INX A2	4		

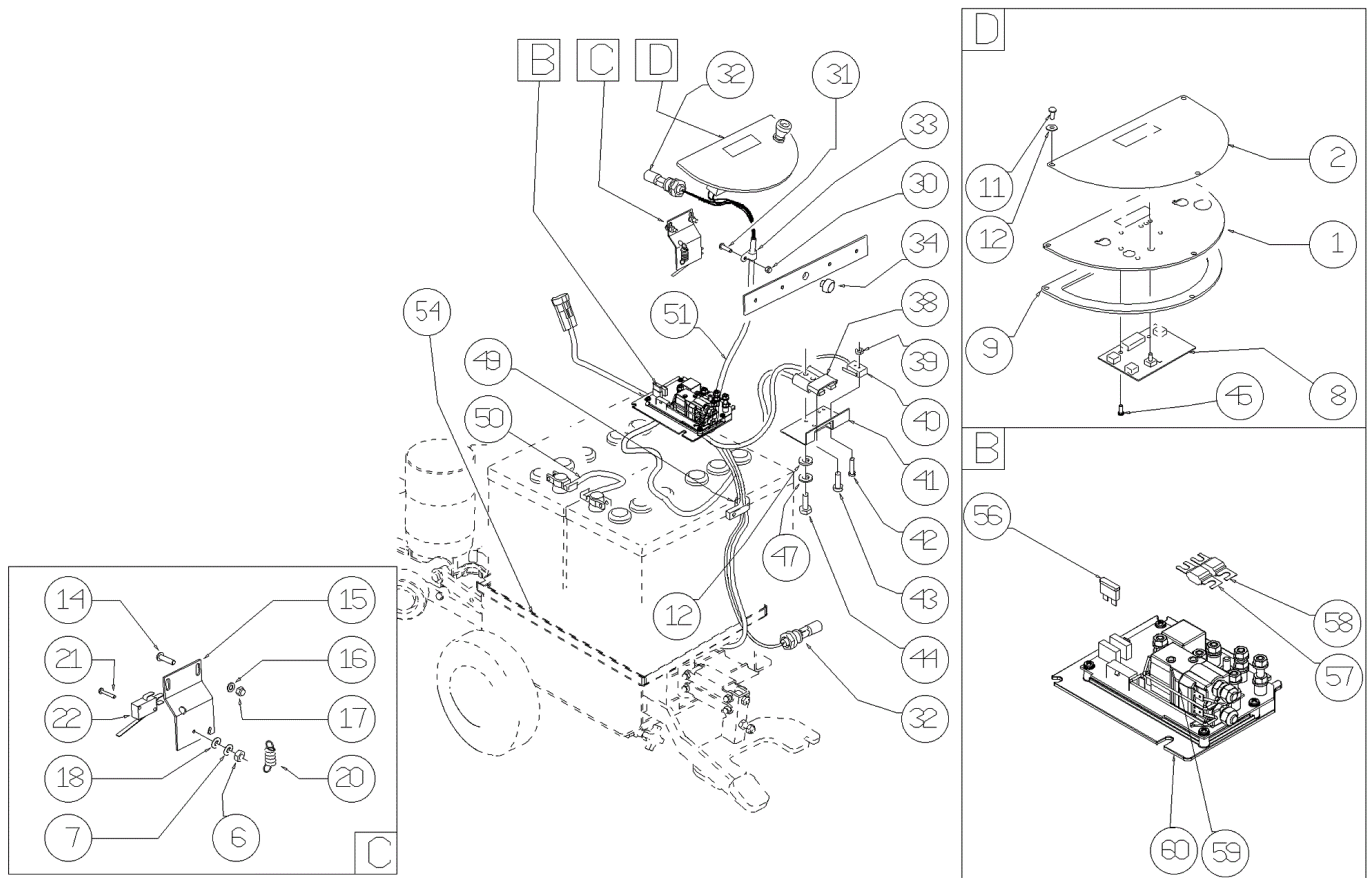


## Electri. Instal.



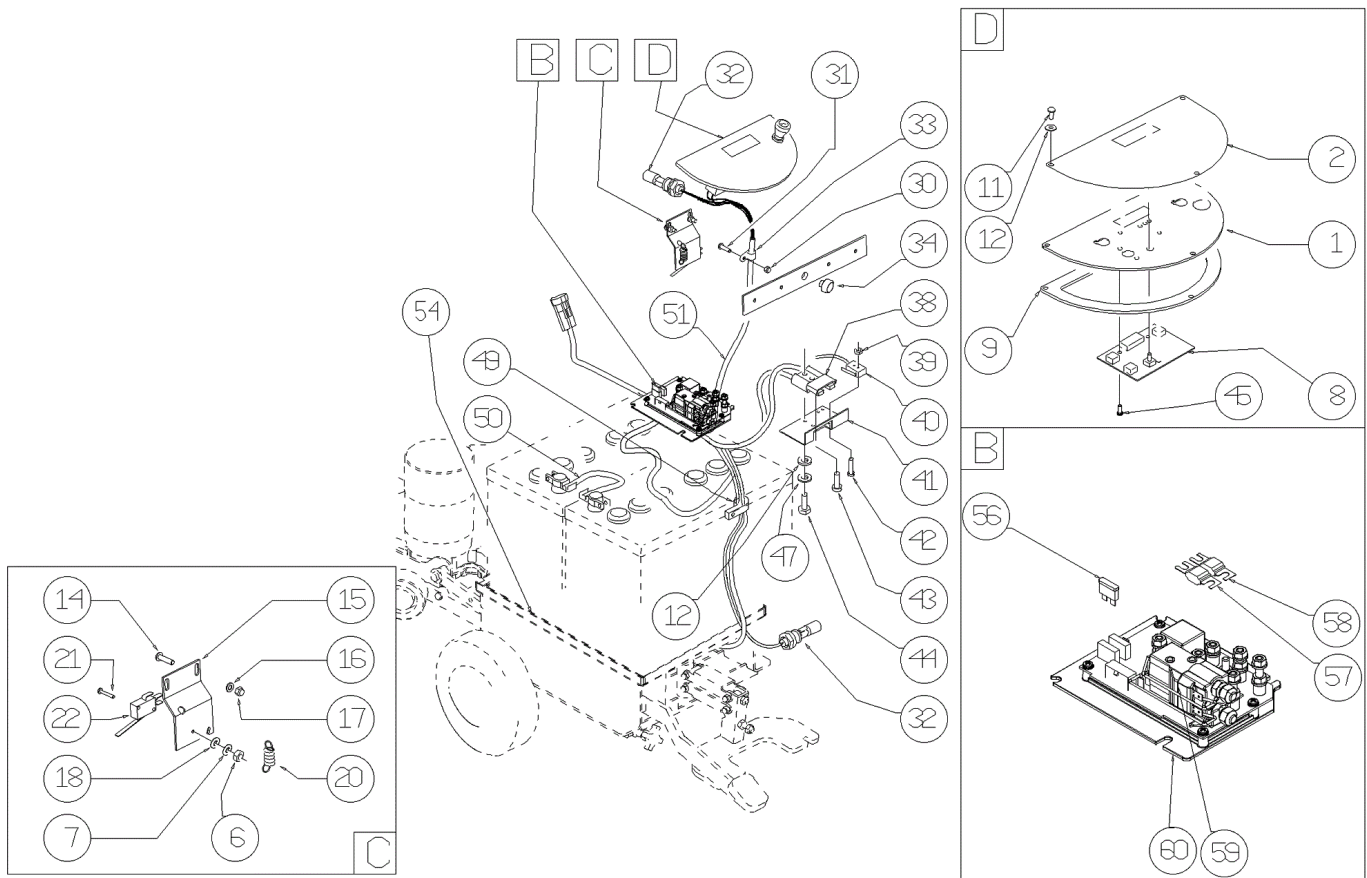
Ref.	Part N.	Description	Quantity	Validity From	Validity To
1	3LAFN08989	SUPPORT	1		
2	3ETET01670	LABEL	1		
6	3VTDD21115	NUT M 3 INOX	7		
7	3VTRS00268	WASHER D.3	7		
8	3MECE00484	BOARD CT40B/C EV	1		
9	3GUGO38417	GASKET PANN.COM.EXTREME	1		
11	3VTVT37012	SCREW M 4X 10 TCB-TC INX	3		
12	3VTRS00515	WASHER D. 4 INX	10		
14	3VTVT07725	SCREW TE 5X16 UNI5739 INX	2		
15	3LAFN05904	PLATE MICRO LEVA	1		
16	3VTRS00516	WASHER D. 5 INX	2		
17	3VTDD01693	NUT M 5 INX	2		
18	3VTRS21116	WASHER D. 3 INX	2		
20	3MLML34726	SPRING TR E350 N	1		
21	3VTVT01316	SCREW TC+ M3-16	2		
22	3MECI36393	MICROSWITCH TRZ. DRW	1		
30	3VTDD15925	NUT M 4 INX	1		

## Electri. Instal.



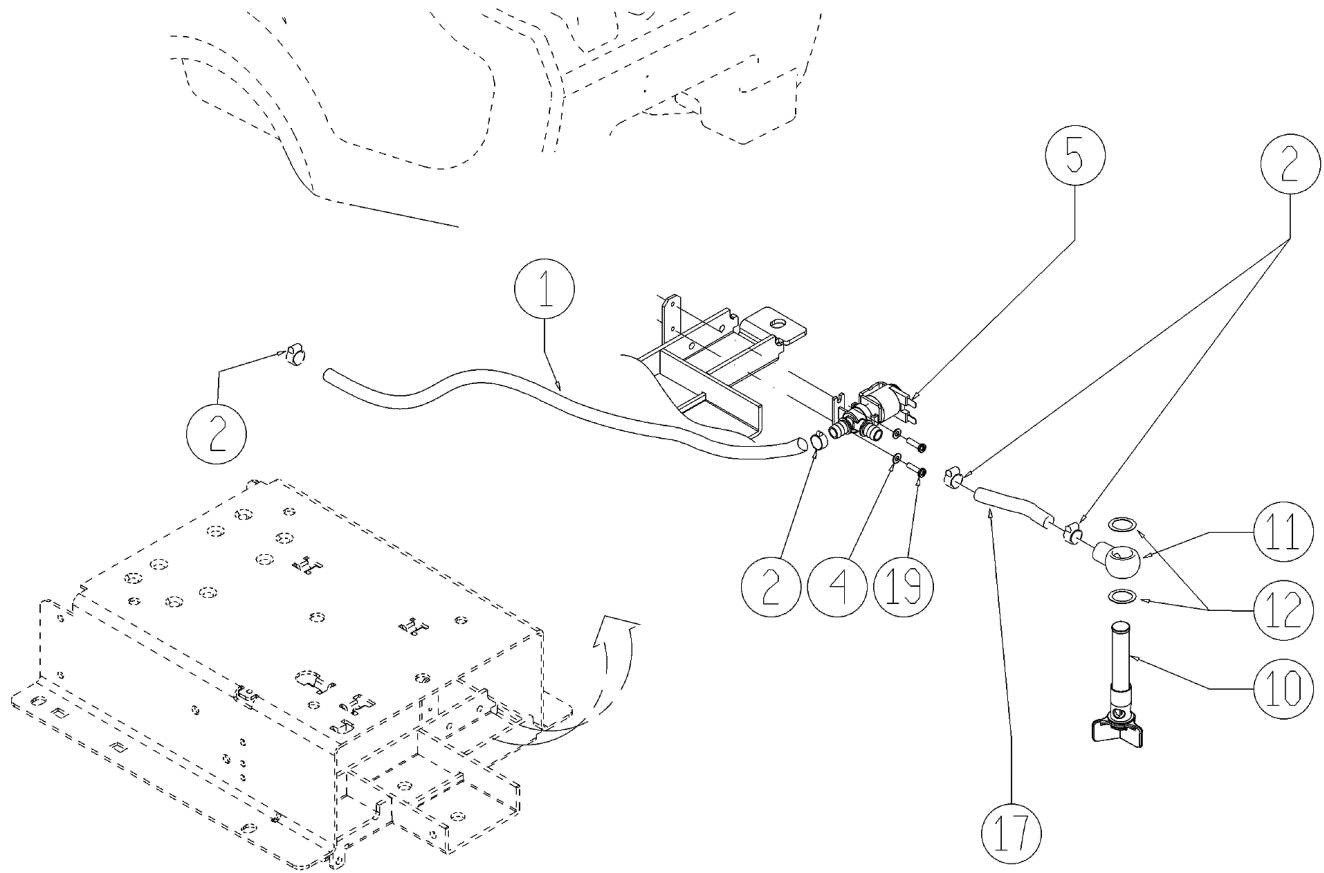
Ref.	Part N.	Description	Quantity	Validity From	Validity To
31	3VTVT00704	SCREW TE M 4X 16 UNI5739 INOX	5		
32	3MECI00516	SENSOR DI LIVELLO ORIZZONTALE	2		
33	3FSVR00099	CLAMP FERMATUBO	1		
34	3MPVR00043	CAP CHIUS.FORO PORTAFUS.L 15	1		
38	3MEVR01707	CONNECTOR	1		
39	3VTDD08634	NUT M2	2		
40	3MECI00334	MICROSWITCH V4	1		
41	3LAFN06409	SUPPORT	1		
42	3VTVT00671	SCREW TC- M.2-16 OTTONE	2		
43	3VTVT00872	SCREW TSP+ 2.9X13 AUTOFIL. INOX	1		
44	3VTVT00814	SCREW TE M.4-25	2		
45	3VTVT00722	SCREW	2		
47	3VTRS15913	WASHER D. 4 GROVER A2 UNI1751	2		
49	3FSVR00099	CLAMP FERMATUBO	1		
50	3MEVR34820	WIRING B 450 BT	1		
51	3MECB01252	WIRING	1		
54	3LAFN35588	BATTERY SUPPORTLAV. BT	1		

# Electri. Instal.



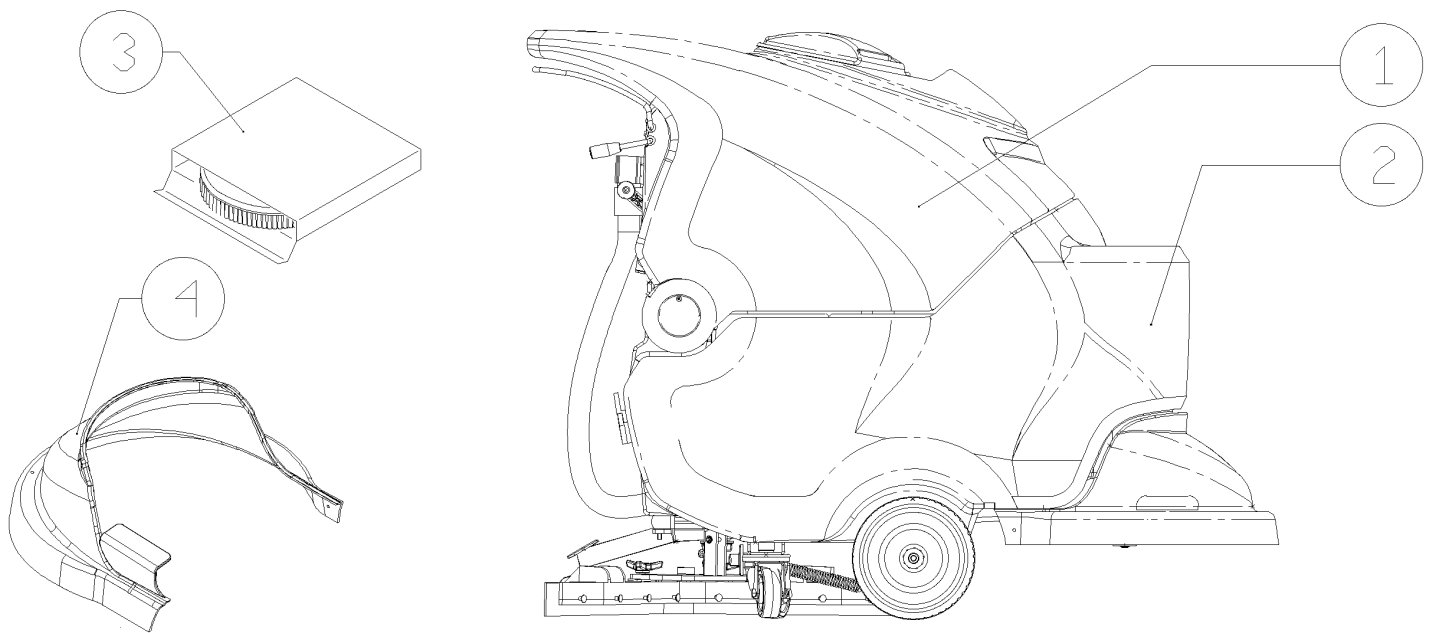
Ref.	Part N.	Description	Quantity	Validity From	Validity To
56	3MEVR01428	FUSE A LAMA 2 A. UNIVAL	1		
57	3MEVR02061	FUSE 80A	1		
58	3MEVR02060	FUSE 40A	1		
59	3METT00085	CONTACTOR 100A	1		
60	3MECE00574	BOARD CT40-70-90	1		

## Solenoid Valve



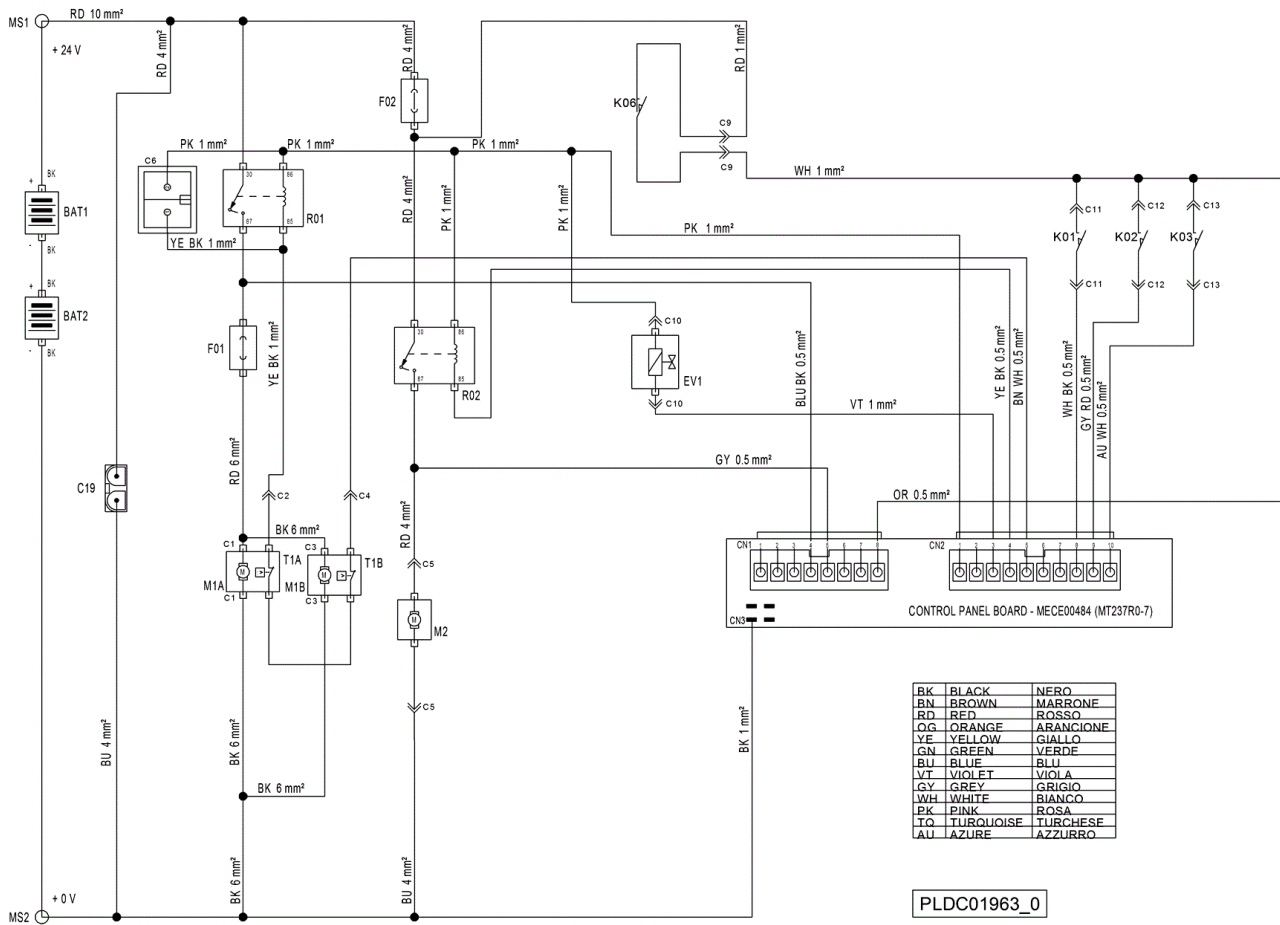
Ref.	Part N.	Description	Quantity	Validity From	Validity To
1	3TBFX48011	TUBE FLEX D.12X3 ARMORV.PVC TR	0,71		
2	3FSVR00428	CLAMP D. 12-20	4		
4	3VTRS00515	WASHER D. 4 INX	2		
5	3MEEV00036	SOLENOID VALVE HOLE 8mm CLEANTIME	1		
10	3MPVR05221	FILTER COMPLETO	1		
11	3LAFN07783	CONNECTOR	1		
12	3VTRS00567	WASHER 1/2	2		
17	3TBFX48011	TUBE FLEX D.12X3 ARMORV.PVC TR	0,17		
19	3VTVT01158	SCREW M4x16	2		

## Parti Esterne



Ref.	Part N.	Description	Quantity	Validity From	Validity To
1	3MPVR07064	TANK RECOVERY CT40 BLUE	1		
2	3MPVR05089	WATER TANK SOLUTION CT40 BLUE	1		
3	3SPPV43963	BRUSH NYL 0.8 500	1		
4	3MPVR04722	BRUSH PROTECT. 55	1		

# Elec. Diagram 1



Ref.	Part N.	Description	Quantity	Validity From	Validity To
EV1	3MEEV00036	SOLENOID VALVE HOLE 8mm CLEANTIME	1		
F01	3MEVR02061	FUSE 80A	1		
F02	3MEVR02060	FUSE 40A	1		
R01	3METT00085	CONTACTOR 100A	1		

## Elec. Diagram 2

COMPONENTS		
F01	FUSE- BRUSH MOTORS (80 A)	FUSIBILE SPAZZOLE POTENZA (80 A)
F02	FUSE-VACUUM MOTOR (40 A)	FUSIBILE ASPIRATORE POTENZA (40 A)
F03		
F04		
F05		
R01	RELAY- BRUSH MOTORS	TELERUTTORE SPAZZOLE
R02	RELAY- VACUUM MOTOR	RELE' ASPIRATORE
R03		
R04		
EV1	ELECTRO-VALVE	ELETTRIVALVOLA ACQUA
KS1		
K01	SWITCH- HAND LEVER	MICRO LEVA TRZIONE
K02	SWITCH- RECOVERY TANK LEVEL (MAX)	LIVELLO TROPPO PIENO (N.O.)
K03	SWITCH- SOLUTION TANK LEVEL ( MIN )	LIVELLO MINIMO SERBATOIO (N.O.)
K04		
K06	SWITCH- BATTERY RECHARGE SAFETY	MICRO SICUREZZA RICARICA BATTERIE
M1A	MOTOR- BRUSH 1	MOTORE SPAZZOLA -1
M1B	MOTOR- BRUSH 2	MOTORE SPAZZOLA -2
M2	MOTOR- VACUUM	MOTORE ASPIRATORE
T1A	THERMIC SWITCH BRUSH MOTOR 1	TERMICA MOTORE SPAZZOLA -1
T1B	THERMIC SWITCH BRUSH MOTOR 2	TERMICA MOTORE SPAZZOLA -2
T3		

COMPONENTS		
MS1	CONNECTOR- BATTERY POSITIVE	MORSETTO BATTERIA POSITIVO
MS2	CONNECTOR- BATTERY NEGATIVE	MORSETTO BATTERIA NEGATIVO
C1	CONNECTOR- BRUSH MOTOR 1	CONN. MOTORE SPAZZOLA -1
C2	CONNECTOR- THERMIC SW. BRUSH MOTOR 1	CONN. TERMICA MOTORE SPAZZOLA -1
C3	CONNECTOR- BRUSH MOTOR 2	CONN. MOTORE SPAZZOLA -2
C4	CONNECTOR- THERMIC SW. BRUSH MOTOR 2	CONN. TERMICA MOTORE SPAZZOLA -2
C5	CONNECTOR- VACUUM MOTOR	CONN. MOTORE ASPIRAZIONE
C6	CONNECTOR- "CHEM DOSE" ACCESSORY	CONN. CHEM-DOS
C7		
C8		
C9	CONNECTOR- BATTERY RECHARGE SAFETY	CONN.SICUREZZA RICARICA BATTERIE
C10	CONNECTOR- BOARD/ ELECTROVALVE	CONN. E.V. H2O DA SCHEDA ELETTRONICA
C11	CONNECTOR- HAND LEVER	CONN. LEVA TRAZIONE
C12	CONNECTOR- RECOVERY TANK LEVEL (MAX)	CONN. LIVELLO TROPPO PIENO
C13	CONNECTOR- SOLUTION TANK LEVEL ( MIN )	CONN. LIVELLO MINIMO
C14		
C15	CONNECTOR- EXTERNAL BATT.CHARGER	CONN. MICRO C.B. ESTERNO
C16		
C17		
C19	CONNECTOR- BATTERY RECHARGE	SPINA ANDERSON RICARICA BATTERIE
C20		
CN1	CONNECTOR- CONTROL PANEL BOARD	CONN. 1 SCHEDA PLANCIA
CN2	CONNECTOR- CONTROL PANEL BOARD	CONN. 2 SCHEDA PLANCIA
CN3	CONNECTOR- CONTROL PANEL BOARD	CONN. 3 SCHEDA PLANCIA

PLDC01963\_0

Ref.	Part N.	Description	Quantity	Validity From	Validity To
EV1	3MEEV00036	SOLENOID VALVE HOLE 8mm CLEANTIME	1		
F01	3MEVR02061	FUSE 80A	1		
F02	3MEVR02060	FUSE 40A	1		
R01	3METT00085	CONTACTOR 100A	1		

