

Parts Manual Manuel de pièces



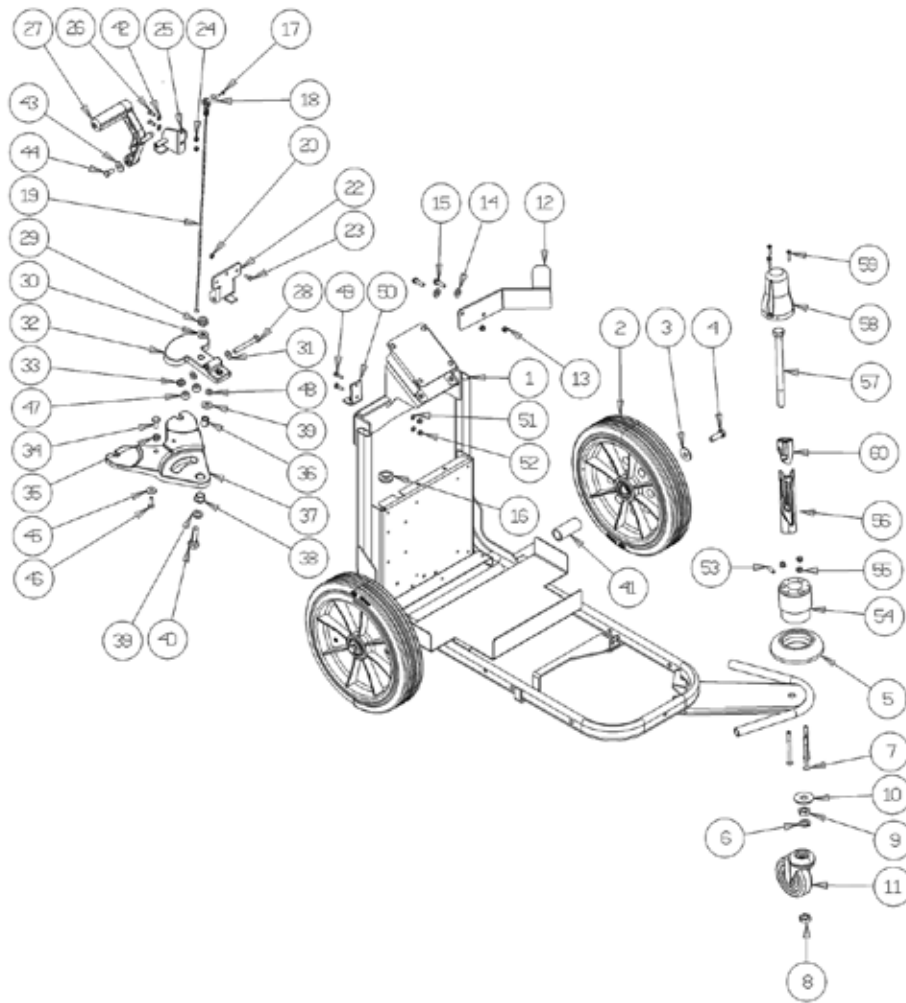
Hurricane 450 XTT

Autoscrubbers
Code: 19362

Serial Number:
Numéro de série : _____

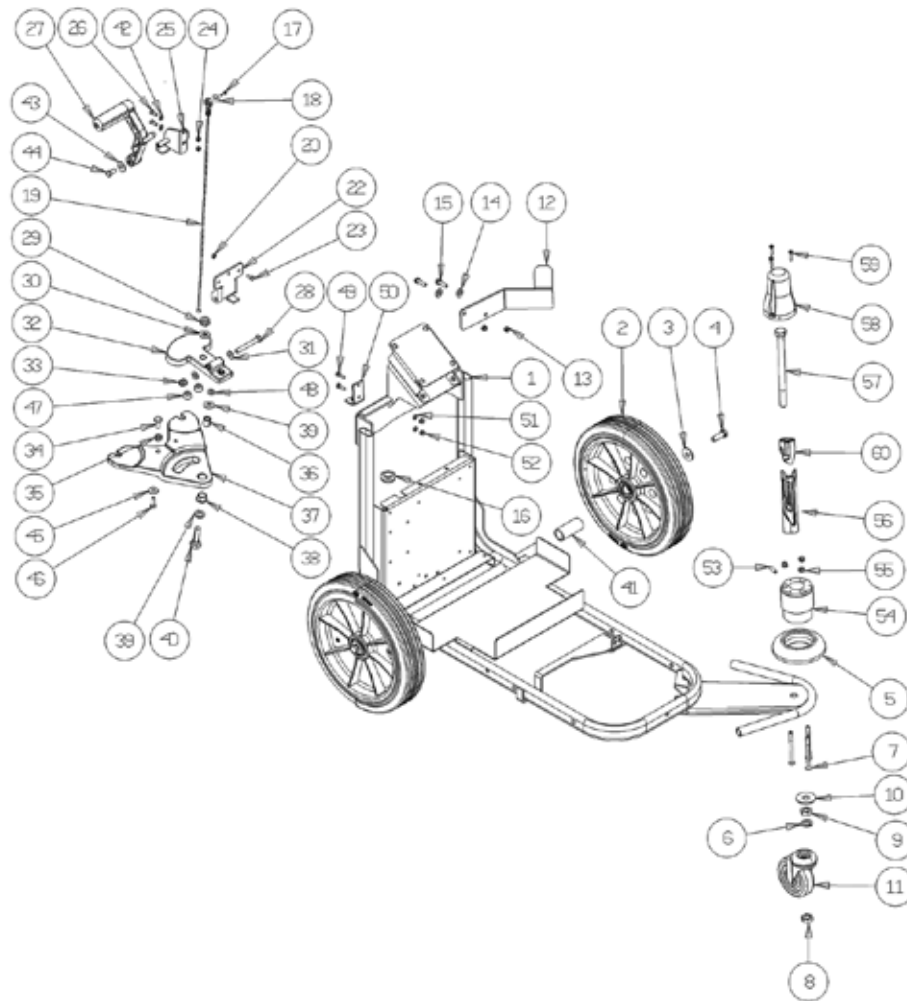
Date of Purchase:
Date d'achat : _____

Frame



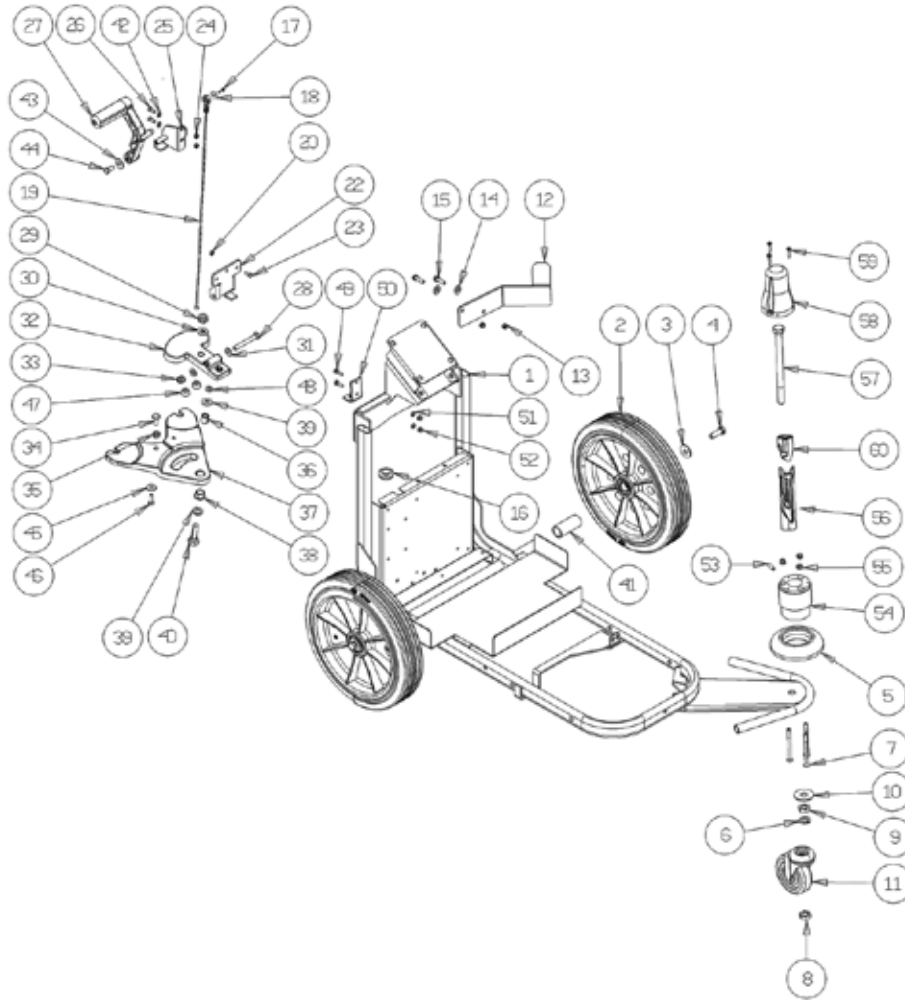
Ref.	Part N.	Description	Quantity	Validity From	Validity To
1	3LAFN07963	SHEET METAL PA.	1		
2	3RTRT00537	WHEEL	2		
3	3VTRS00512	WASHER D. 8 X24 ZC.	2		
4	3VTVT01110	SCREW TE 8X16 UNI5739	2		
5	3MPVR07134	WHEEL	1		
6	3VTRS15919	WASHER D.12 GROVER UNI 1751 INX	1		
7	3VTVT01160	SCREW M6x65	3		
8	3VTDD27918	NUT M 12 UNI 5588 INX	1		
9	3VTDD00502	NUT M12	1		
10	3VTRS09142	WASHER D.12X36	1	02/2015	
11	3RTRT00550	WHEEL	1		
12	3LAFN08091	BRACKET	1		
13	3VTDD01694	NUT M6 INOX	2		
14	3VTRS00245	WASHER D.6 UNI 6592 INOX	2		
15	3VTVT15143	SCREW TE 6X16 UNI5739	2		
16	3MEVR00686	FAIR-LEAD DIAMETER 15.5	1		
17	3 VTVT00800	SCREW TC 4X12 ZN	1		

Frame



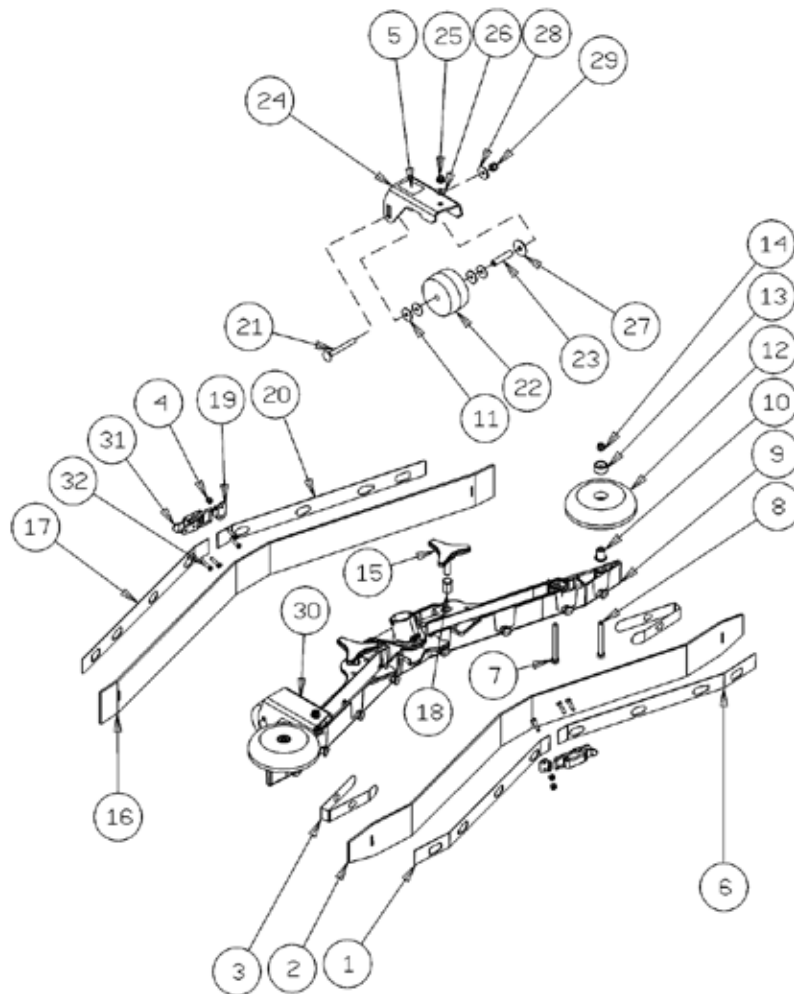
Ref.	Part N.	Description	Quantity	Validity From	Validity To
18	3VTRS00251	WASHER 4-16 INOX A2	1		
19	3 CMCV00459	CABLE	1		
20	3VTDD15517	NUT M 5 INX	3		
22	3LAFN08106	COUPLING SQUEEGEE	1		
23	3VTVT01300	SCREW TE M5X12 INOX	3		
28	3VTVT00757	SCREW	1		
29	3VTDD10310	NUT AUTOBL.M10 INOX DIN 985	1		
30	3VTRS15523	WASHER D.10 X21 INOX UNI 6592	1		
31	3VTRS13947	WASHER D. 8 INX UNI 6592	1		
32	3MFVR00223	SUPPORT SQUEEGEE CT45	1		
33	3VTDD01695	NUT M 8 INX	1		
34	3VTVT15141	SCREW TE M 6X 25 UNI 5739 INX	1		
35	3VTDD15520	NUT M 6 A2 UNI 5588 INX	1		
36	3LAFN08067	BUSHING CT45	1		
37	3MFVR00224	ARTICULATION SQUEEGEE SUPPORT CT45	1		
38	3CUVR00193	BUSHING	1		
39	3VTRS15523	WASHER D.10 X21 INOX UNI 6592	2		

Frame



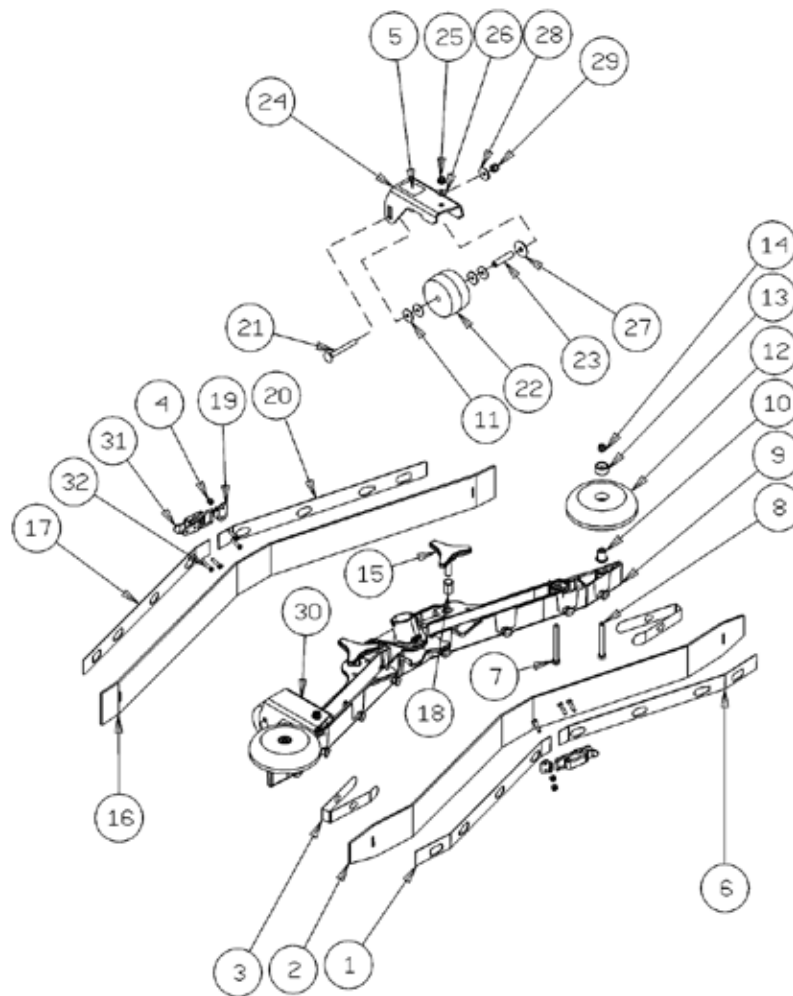
Ref.	Part N.	Description	Quantity	Validity From	Validity To
40	3VTVT01169	SCREW TE M10X45	1		
41	3LAFN08093	BUSHING	2		
45	3VTRS16937	WASHER 6x24 INOX UNI 6593	1		
46	3VTVT00881	SCREW TC+M4x6 TRIBOLOBATA INOX	1	09/2014	
47	3GUGO00321	CONVEYOR	2		
48	3MLML34767	SPRING D.10.2 X20	1		
53	3VTVT01382	PIN	1		
54	3MPVR07136	BUSHING	1		
55	3VTDD01694	NUT M6 INOX	3		
56	3MPVR06462	PIN	1	04/2015	
57	3VTVT01384	SCREW M12X160	1		
58	3MPVR07133	COVER	1		
59	3VTVT40035	SCREW ATF TCB-TC 4,5X20 HILO IX	3		
60	3MPVR06461	PIN	1	04/2015	

Squeegee



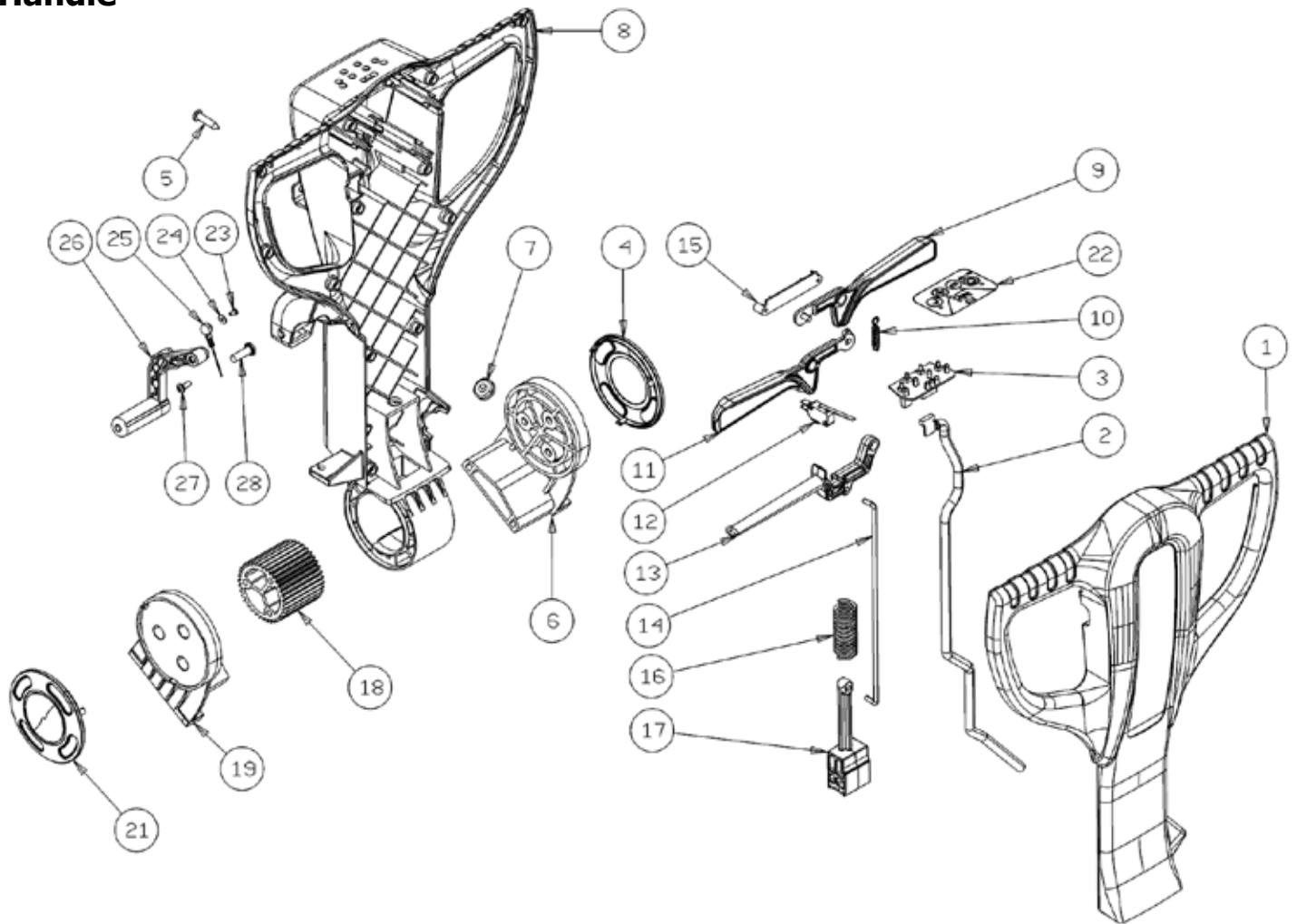
Ref.	Part N.	Description	Quantity	Validity From	Validity To
1	3LAFN09275	SHEET METAL PA	1		
2	3MPVR06287	BLADE XS 3MM LATEX	1		
3	3MPVR05897	CLOSURE S	2		
4	3VTDD00210	NUT M3 INOX	8		
5	3ETET01817	LABEL	2		
6	3LAFN09276	SHEET METAL PA	1		
7	3VTVT17342	SCREW TE M 6X 60 UNI 5739 INX	2		
8	3VTVT00655	SCREW TE M. 6-55	2		
9	3MFVR00143	BODY SQUEEGEE CAST	1		
10	3LAFN04100	SPACER WHEEL FOR BUMPER	2		
11	3VTRS00274	WASHER NYLON 66 D.8,4-17-2 UNI	4		
12	3MPVR06105	SMALL WHEEL	2		
13	3MPVR49229	BUSHING SHK	2		
14	3VTDD01694	NUT M6 INOX	2		
15	3MPVR06004	KNOB AISI 304	2		
16	3MPVR06288	BLADE XS 3MM LATEX	1		
17	3LAFN09277	SHEET METAL PA	1		

Squeegee



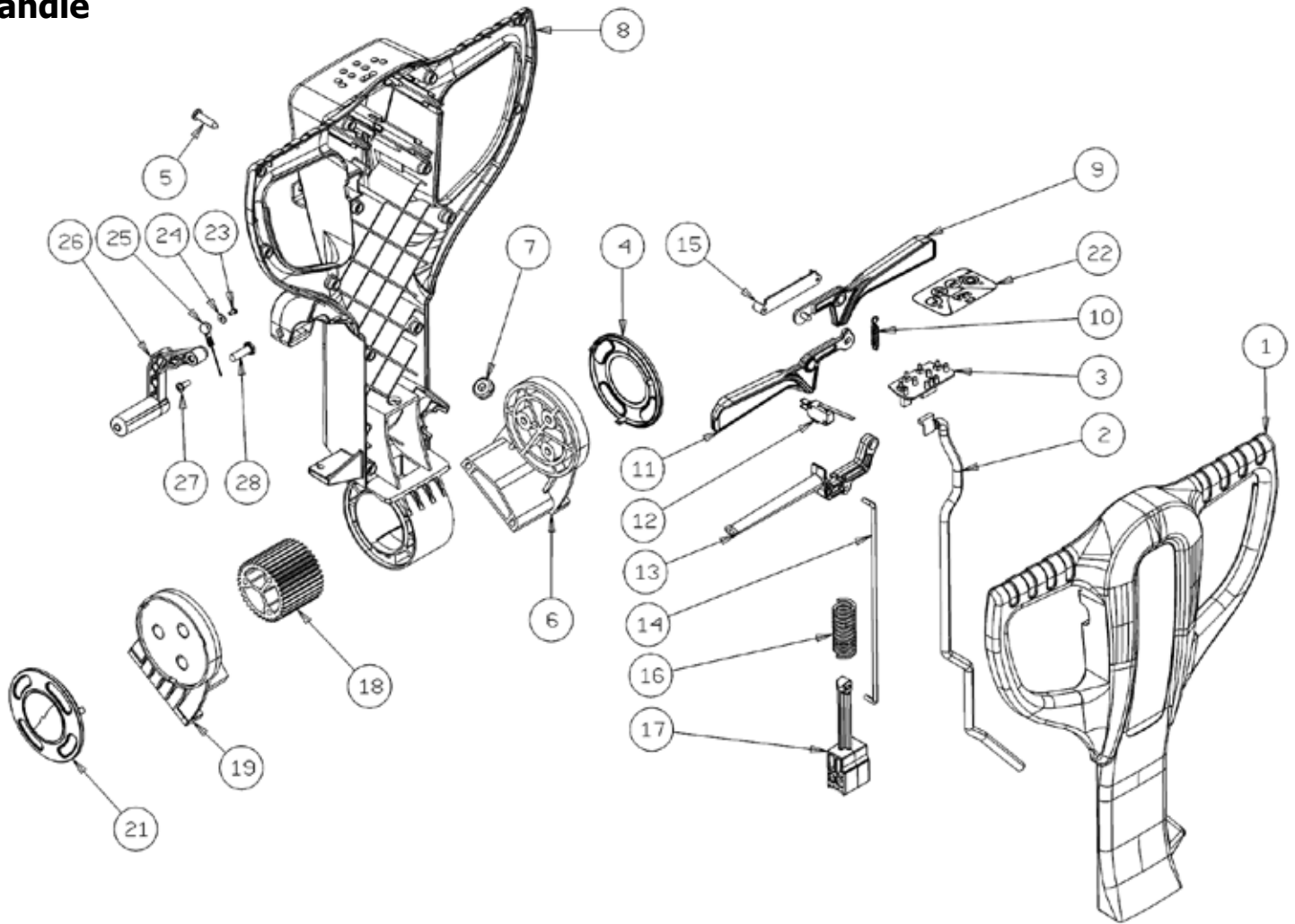
Ref.	Part N.	Description	Quantity	Validity From	Validity To
18	3VTVR00567	INSERT	2		
19	3LAFN09301	SOCKET	2		
20	3LAFN09278	SHEET METAL PA	1		
21	3VTVT01206	SCREW M6X55	2		
22	3RTRT00398	WHEEL	2		
23	3LAFN07589	SPACER	2		
24	3LAFN09217	SUPPORT SX	1		
25	3VTDD01694	NUT M6 INOX	2		
26	3VTRS00245	WASHER D.6 UNI 6592 INOX	2		
27	3VTRS16937	WASHER 6x24 INOX UNI 6593	2		
28	3VTRS13945	WASHER D. 6X18 INX UNI 6593	2		
29	3VTDD15518	NUT M 6 INX	2		
30	3LAFN09216	SUPPORT DX	1		
31	3LAFN09302	CLOSURE	2		
32	3VTVT01070	SCREW TSTC M3X8	8		

Handle



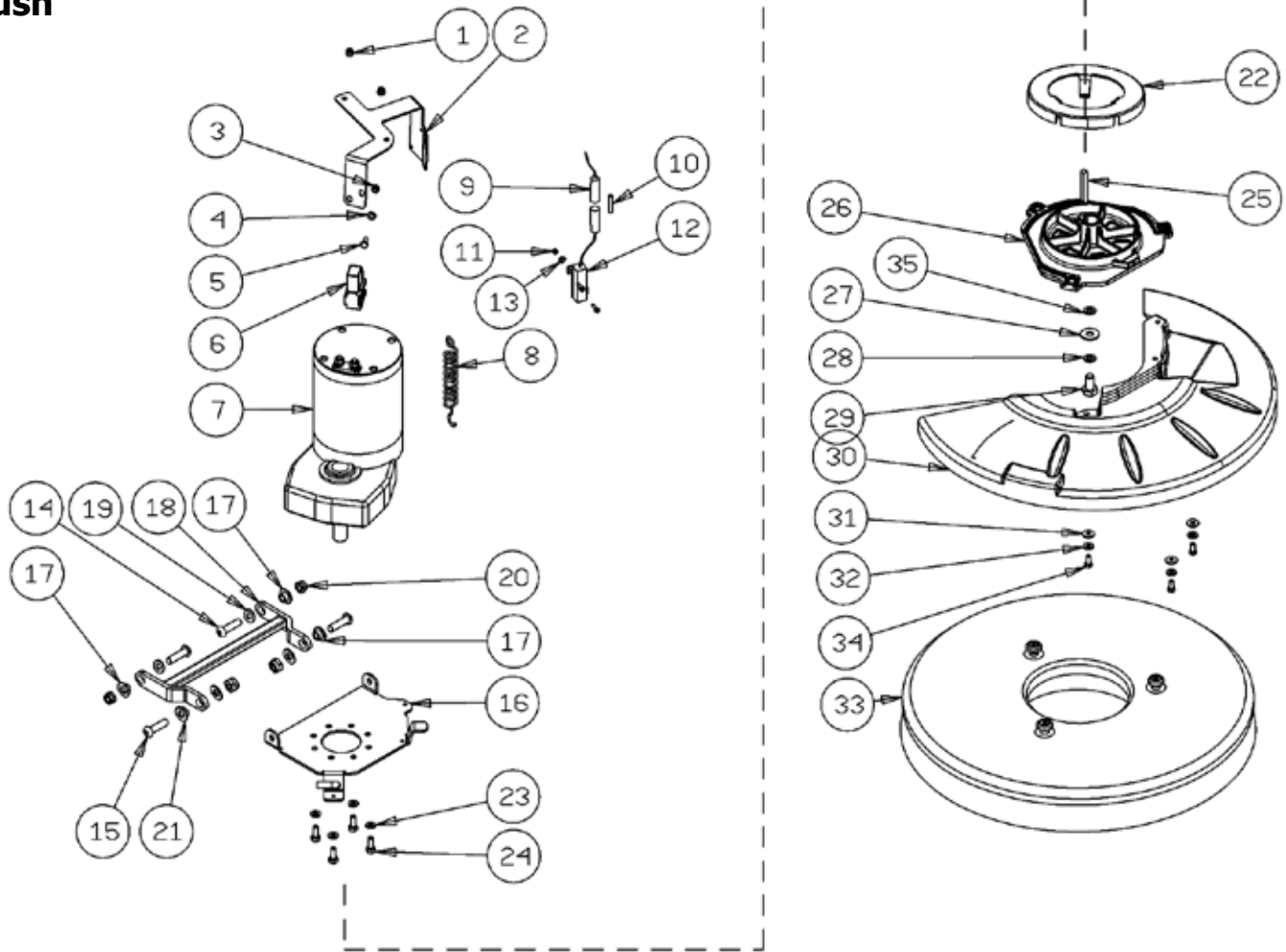
Ref.	Part N.	Description	Quantity	Validity From	Validity To
1	3MPVR06046	CRANKCASE	1		
2	3MECB01326	WIRING FLAT CABLE	1		
3	3MECE00579	BOARD LOGIC 24V	1		
4	3MPVR06055	COVER	1		
5	3TVT01371	SCREW 4,8X19	14		
6	3MPVR06054	SHELL SX	1		
7	3MPVR06057	FAIR-LEAD	1		
8	3MPVR06047	CRANKCASE	1		
9	3MPVR06048	LEVER SX	1		
10	3MLML00336	SPRING	1		
11	3MPVR06049	LEVER DX	1		
12	3MECI36393	MICROSWITCH TRZ. DRW	1		
13	3MPVR06050	LEVER ADJUSTMENT	1		
14	3LAFN09221	LEVER RINVIO	1		
15	3MPVR06298	COVER CT55	1		
16	3MLML00337	SPRING	1		
17	3MPVR06052	HANDLE SUPPORT	1		

Handle



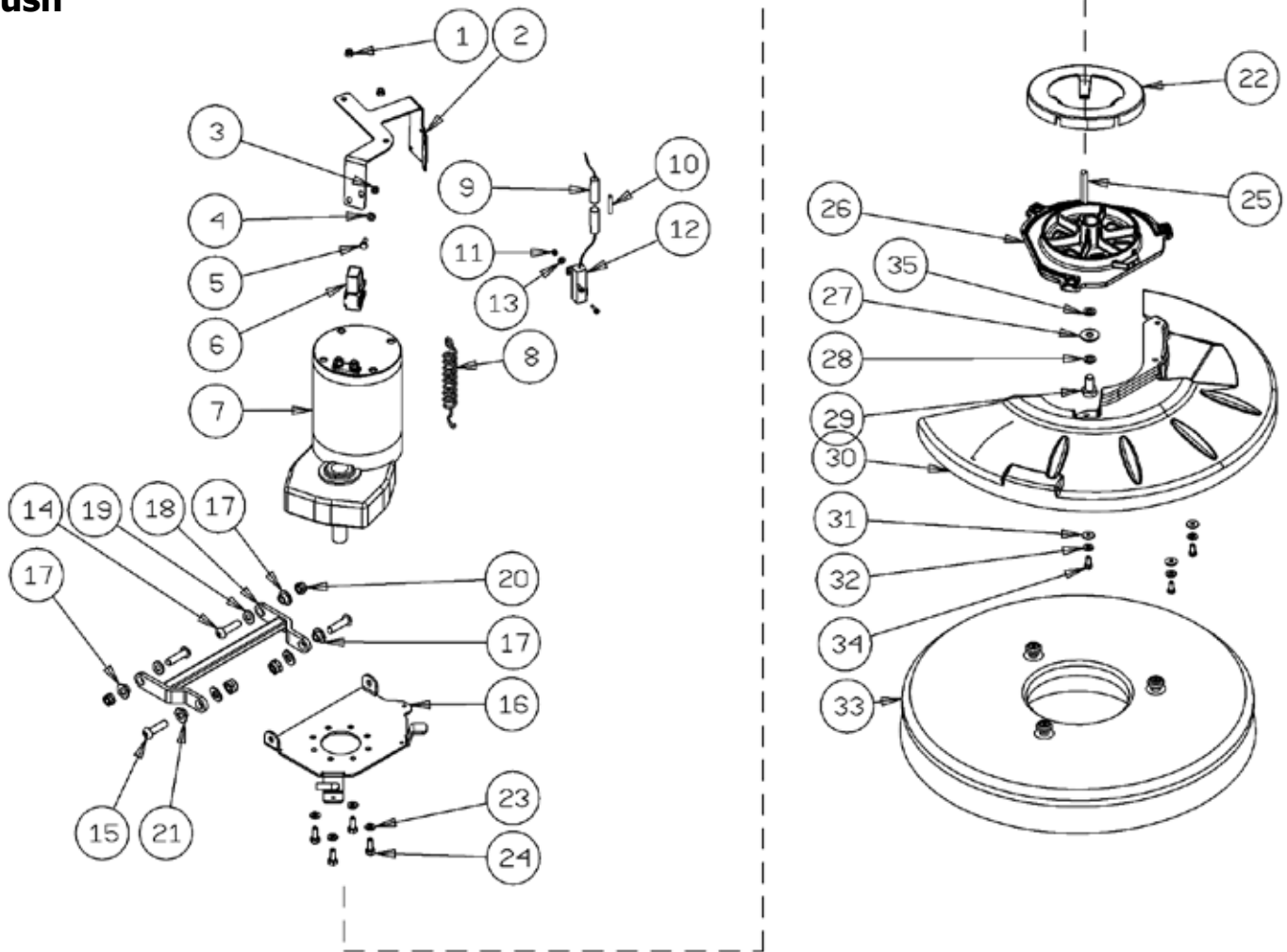
Ref.	Part N.	Description	Quantity	Validity From	Validity To
18	3MPVR06056	GEAR	1		
19	3MPVR06053	SHELL DX	1		
21	3MPVR06055	COVER	1		
22	3ETET01780	LABEL	1		
23	3VTVT00800	SCREW TC 4X12 ZN	1	09/2014	
24	3VTRS00251	WASHER 4-16 INOX A2	1	09/2014	
25	3CMCV00364	CABLE	1	09/2014	
26	3MPVR49942	LEVER SHK PP	1	09/2014	
27	3VTVT00796	SCREW TC 6X12	1	09/2014	
28	3LAFN09248	PIN	1	09/2014	

Brush



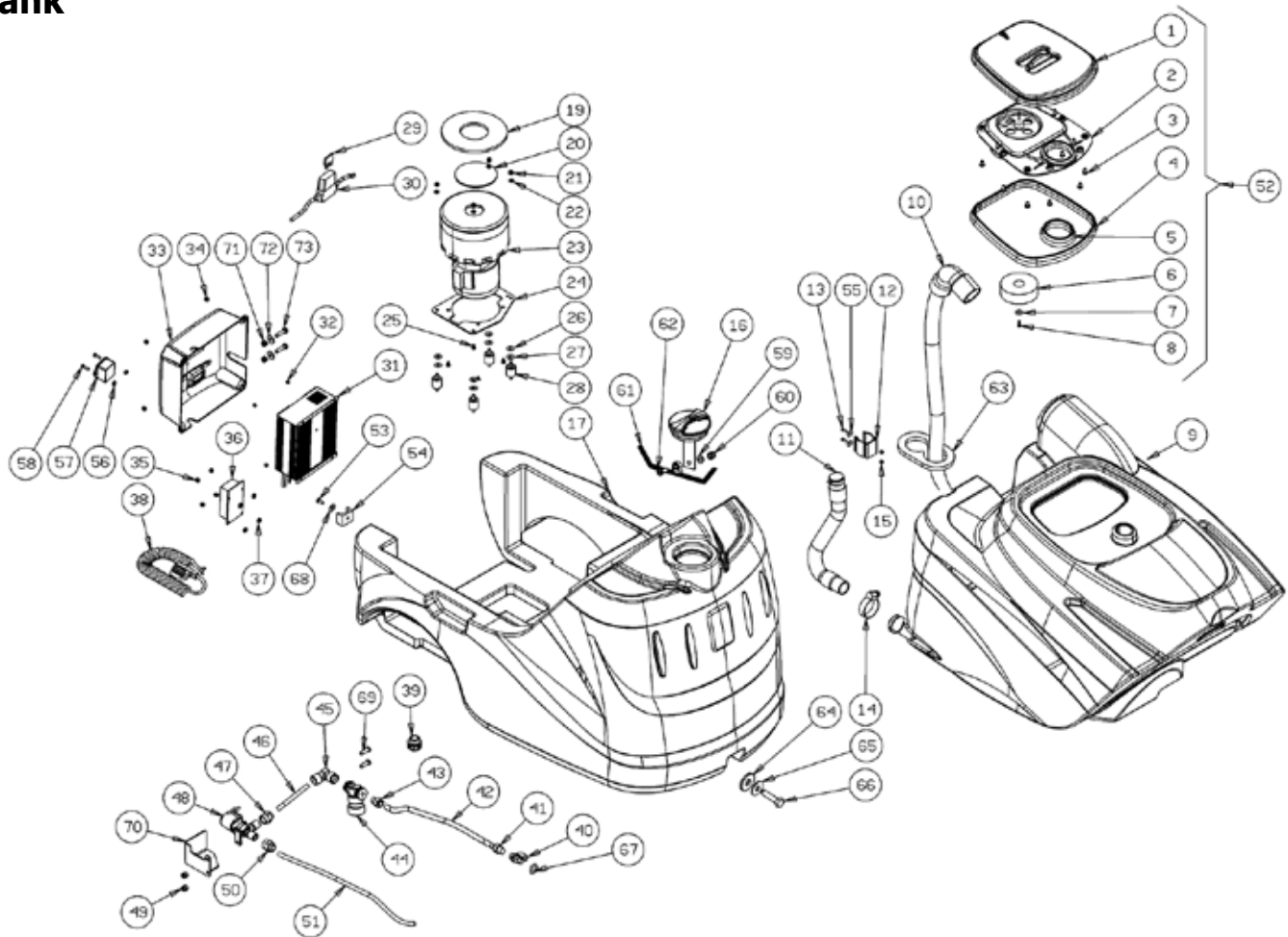
Ref.	Part N.	Description	Quantity	Validity From	Validity To
1	3VTDD00128	SELF-LOCJ.NUT M5	2		
2	3LAFN08083	BRACKET	1		
3	3VTDD01693	NUT M 5 INX	1		
4	3VTRS13750	WASHER D. 5X14 INX	1		
5	3VTVT34115	SCREW TE M 5X 10 UNI 5739	1		
6	3MECI00005	RELAY 24V 10/20A	1		
7	3MOCC00426	MOTOR 24V 20A 400W IP44	1		
8	3MLML00340	SPRING	1		
9	3MEVR00080	FUSE-HOLDER PV610 10A	1		
10	3MEVR01747	FUSE 6X32 2,8A T	1		
11	3VTDD21115	NUT M 3 INOX	2		
12	3MEVR02066	RESISTANCE 3,3ohm 50W	1		
13	3VTRS27296	WASHER GROWER 3 ZNT	2		
14	3VTVT01378	CARRYNG BAG	2		
15	3VTVT01195	SCREW TBEI M 8X 25 ISO 7380 IX	2		
16	3LAFN08104	SUPPORT	1		
17	3LAFN06391	BUSHING PARALLELOGRAM	3		

Brush



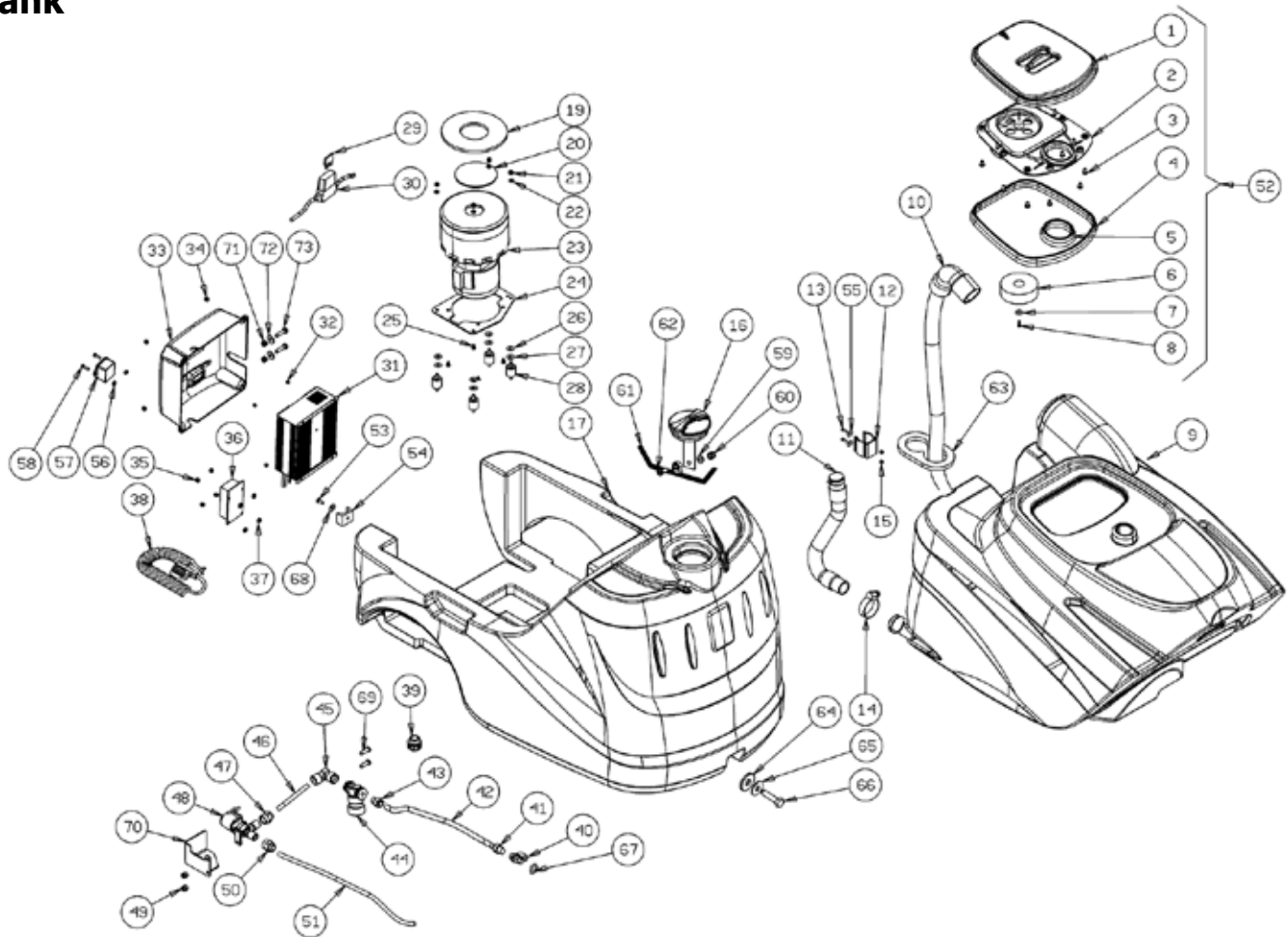
Ref.	Part N.	Description	Quantity	Validity From	Validity To
18	3LAFN07910	BRACKET	1		
19	3VTRS13947	WASHER D. 8 INX UNI 6592	4		
20	3VTDD01695	NUT M 8 INX	4		
21	3LAFN51068	BUSHING LEVA POSTER.	1		
22	3MPVR06045	CONVEYOR	1		
23	3VTRS15144	WASHER D. 6 INX GRW UNI 1751	4		
24	3VTVT15906	SCREW TE 6X 12 A2 UNI 5739	4		
25	3VTVR16617	KEY 6X 6X30 UNI 6604	1		
26	3MFVR00212	DRIVE DISK	1		
27	3VTRS13946	WASHER D. 8 X24 INX UNI 6593	1		
28	3VTRS15146	WASHER D. 8 INX GRW UNI 1751	1		
29	3VTVT13938	SCREW TE 8X20 UNI5739 INX	1		
30	3MPVR06243	COVER	1		
31	3VTRS13750	WASHER D. 5X14 INX	3		
32	3VTRS15908	WASHER D. 5 INX GRW UNI 1751	3		
33	3SPPV01332	BRUSH D.500 NYLON	1		
34	3VTVT01300	SCREW TE M5X12 INOX	3		
35	3VTRS13947	WASHER D.8 INX UNI 6592	1	11/2014	

Tank



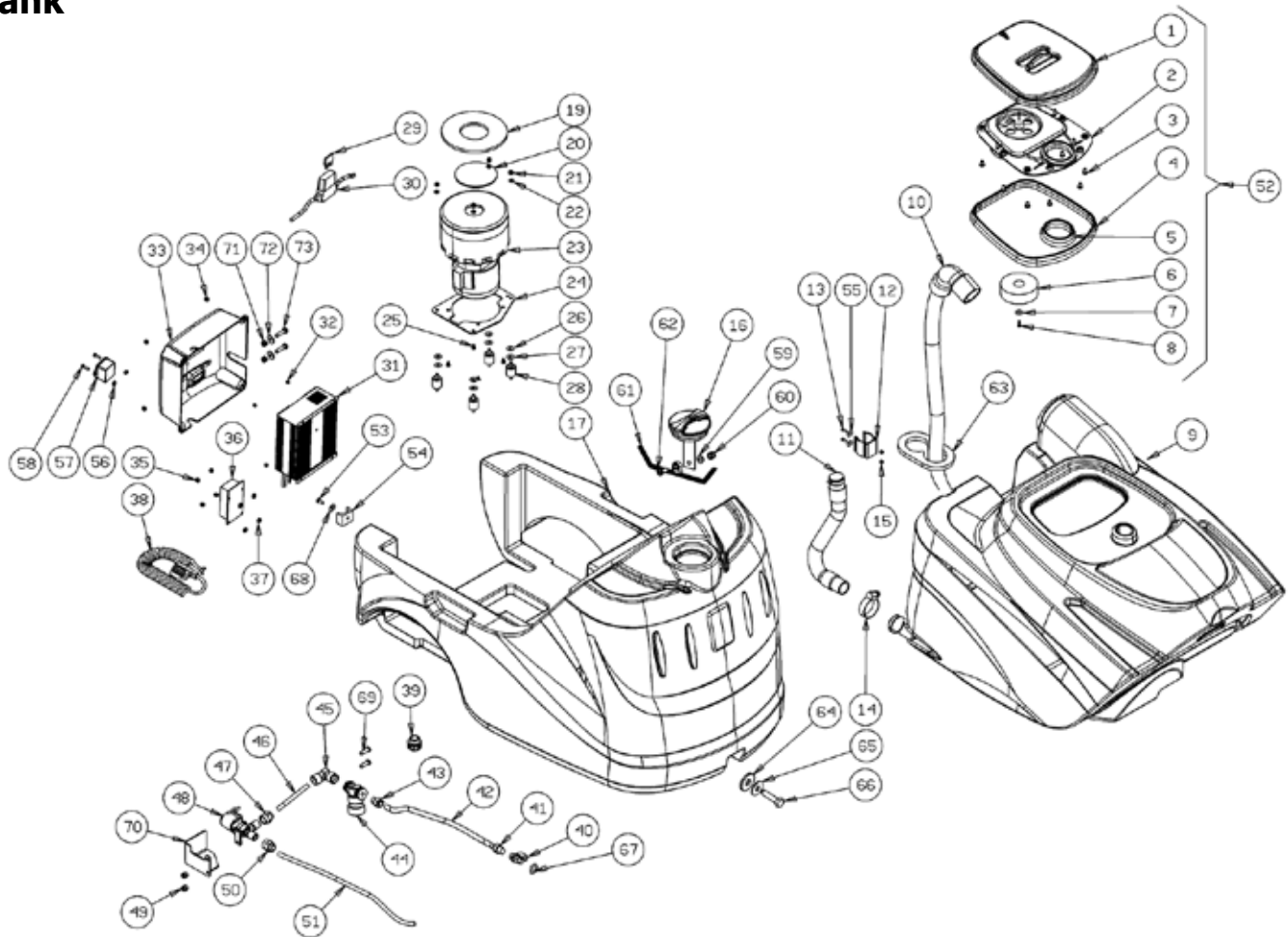
Ref.	Part N.	Description	Quantity	Validity From	Validity To
1	3MPVR05825	COVER	1		
2	3MPVR05826	COVER	1		
3	3VTVT01694	SCREW TCB TC 5 X10 UNI 9707 TZ	8		
4	3GUVR00306	GASKET	1		
5	3GUVR00307	GASKET	1		
6	3MPVR05836	FLOATER	1		
7	3VTRS00573	WASHER 30x6x3	1		
8	3VTVT48694	SCREW TCB TC 5 X12 UNI 9707 TZ	1		
9	3MPVR06309	TANK BLUE	1		
10	3TBFX00357	TUBE	1		
11	3TBFX00350	TUBE HOSE DRAIN	1		
12	3MPVR46988	CLIP LAV. SHK	1		
13	3VTVT29884	SCREW TE M 4X 16 UNI 5739	2		
14	3FSVR00095	CLAMP 30-45	1	12/2014	
15	3VTDD04369	NUT M 4 TEF UNI 7473	2		
16	3MPVR05188	CAP	1		
17	3MPVR06308	TANK BLUE	1		

Tank



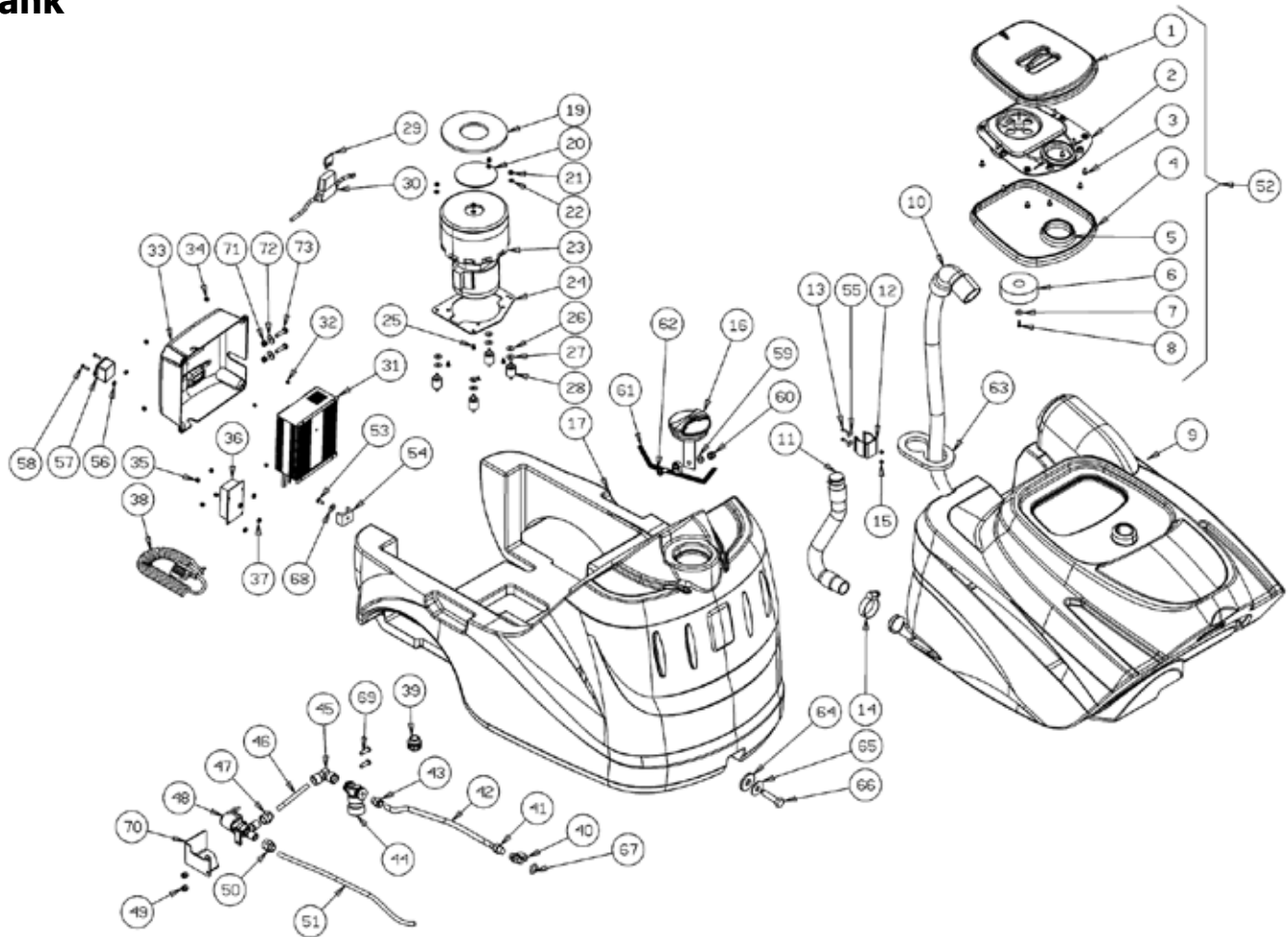
Ref.	Part N.	Description	Quantity	Validity From	Validity To
19	3GUGO00444	GASKET	1		
20	3LAFN05830	NET FERMA FILTRO INOX	1		
21	3VTDD07727	NUT M 5 INOX	4		
22	3VTRS15908	WASHER D. 5 INX GRW UNI 1751	4		
23	3MEVR05200	CARBON MOTORE ASP.AMET.116599-13	2		
23	3MOCC00397	MOTOR VACUUM	1		
24	3LAFN08894	PLATE	1		
25	3VTVT48694	SCREW TCB TC 5 X12 UNI 9707 TZ	4		
26	3VTRS13750	WASHER D. 5X14 INX	4		
27	3VTRS13750	WASHER D. 5X14 INX	4		
28	3ABGO00052	VIBRATION DAMP.	4		
29	3MEVR02048	FUSE 40A	1		
30	3MECB01286	WIRING FUSE HOLDER CT30 BATTERY	1		
31	3BACA00166	BATTERY-CHARGER 24V 10A	1		
32	3VTDD00001	NUT UNI 5588 M3 ZB	4	05/2015	
33	3MPVR06234	COVER	1		
34	3VTDD04368	NUT M 4 ZIN UNI 5588	4		

Tank



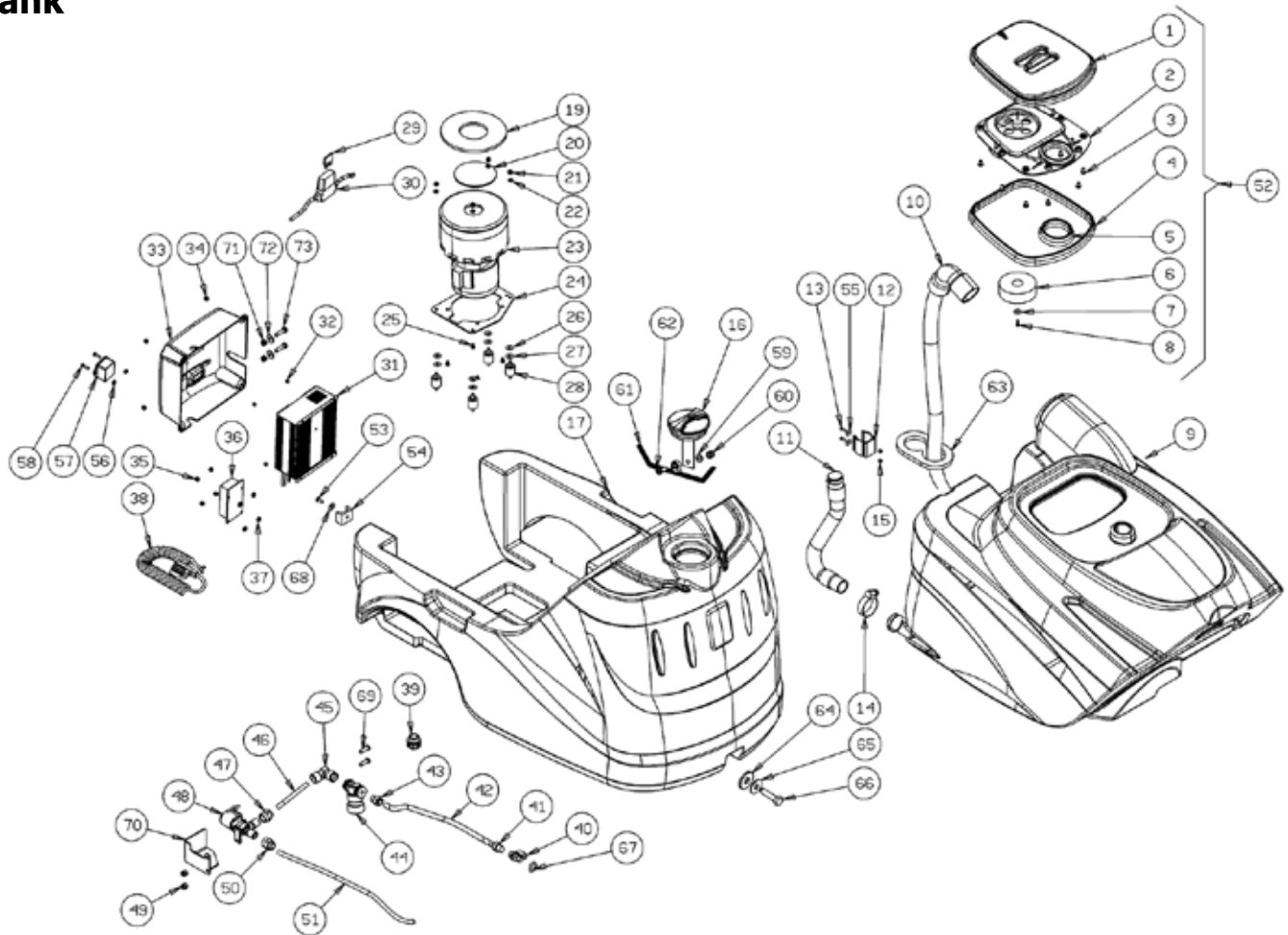
Ref.	Part N.	Description	Quantity	Validity From	Validity To
35	3VTDD04368	NUT M 4 ZIN UNI 5588	4		
36	3MECE00578	BOARD POWER	1		
37	3VTRS00377	WASHER M4	4		
38	3MECB00923	EXTENSION AWG18 US PLUG	1		
39	3MPVR08003	CAP	1		
40	3RCGR00082	VALVE	1		
41	3RCVR00784	CONNECTOR	1		
42	3TBBP00511	TUBE	0,33		
43	3RCVR00789	CONNECTOR 10 1/4	1	05/2015	
44	3FTAC00044	FILTER CT15-CT30	1		
45	3RCVR00773	CONNECTOR 1/4	1		
46	3TBBP00481	TUBE	0,2		
47	3RCVR00772	CONNECTOR 1/4	1		
48	3KTRI02139	SOLENOID VALVE CT45	1		
49	3VTDD00055	NUT M 4 ATB A2	2		
50	3RCVR00772	CONNECTOR 1/4	1		

Tank



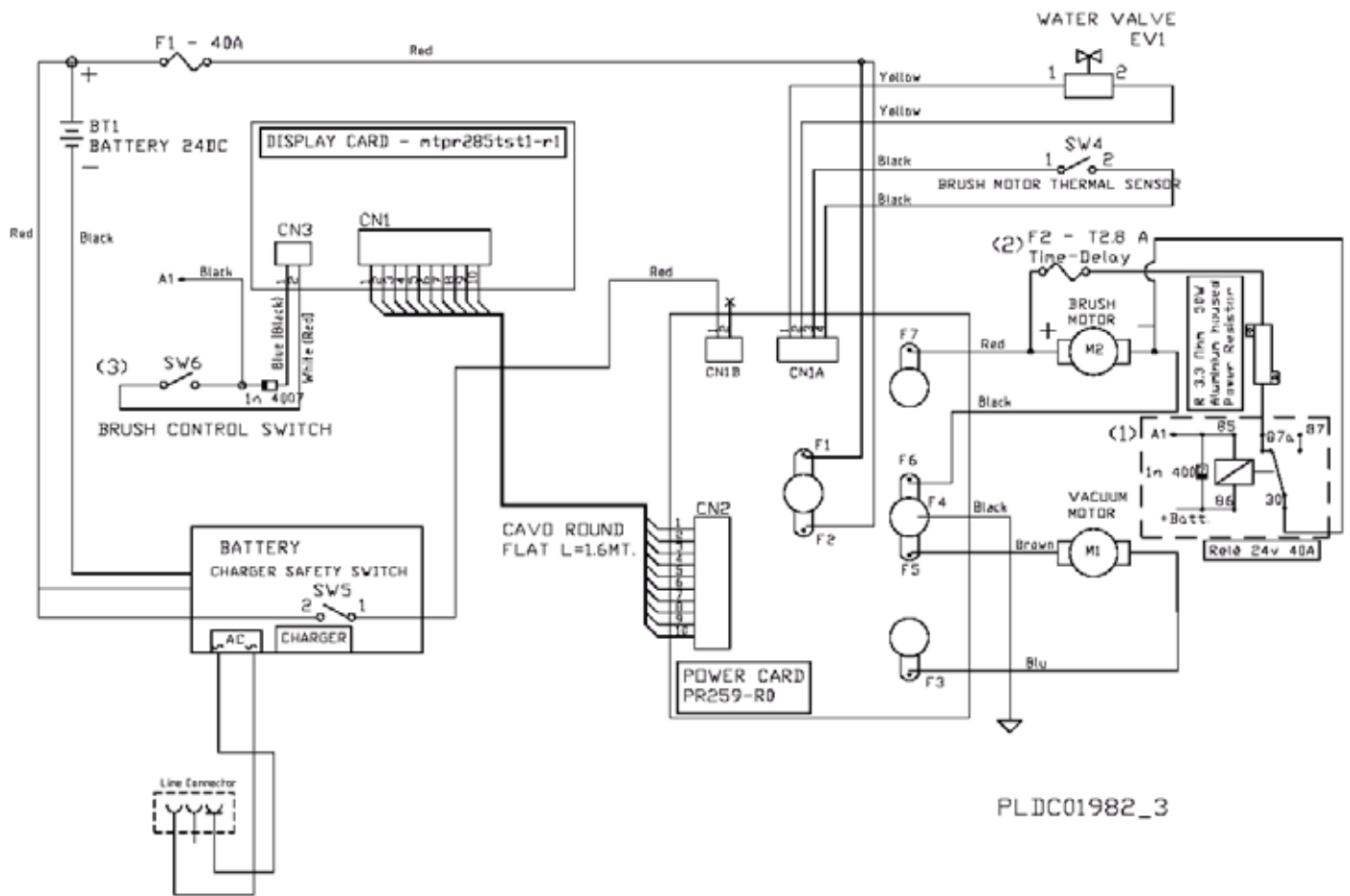
Ref.	Part N.	Description	Quantity	Validity From	Validity To
51	3TBBP00481	TUBE	0,48		
52	3KTRI01989	KIT RECOVERY LID	1		
53	3VTVT00311	SCREW TE M4X12	1		
54	3FSVR00243	CLAMP 20/30	1		
55	3VTRS05904	WASHER D. 4 X16 2.083	2		
56	3VTDD00001	NUT UNI 5588 M3 ZB	2		
57	3MEVR02074	PLUG IEC	1		
58	3VTVT00035	SCREW M 3X 8 TS TC ZC	2		
59	3VTRS00515	WASHER D. 4 INX	1		
60	3VTDD00055	NUT M 4 ATB A2	1		
61	3MPVR08038	PLATE	1		
62	3VTVT15965	SCREW TCB-TC 4X12 UNI7687 INX	1		
63	3MPVR04659	FLANGE	1		
64	3VTRS16937	WASHER 6x24 INOX UNI 6593	1		
65	3VTRS13750	WASHER D. 5X14 INX	1		
66	3VTVT01376	SCREW TE M 5X 35 UNI 5739	1		
67	3GUGO31088	O-RING D. 12 X 2.50 NBR 70SH	1		

Tank



Ref.	Part N.	Description	Quantity	Validity From	Validity To
68	3VTRS00501	WASHER D. 4 0.232 UNI 6592	1		
69	3VTVT15924	SCREW M 4X 16 TCB-TC UNI 7687	2		
70	3LAFN07948	PROTECTION SOLENOID	1		
71	3VTDD15925	NUT M 4 INX	2	12/2014	
72	3 VTRS00515	WASHER D. 4 INX	2	12/2014	
73	3VTVT15965	SCREW TCB-TC 4X12 UNI7687 INX	2	12/2014	

Elec. Diagram



Ref.	Part N.	Description	Quantity	Validity From	Validity To
EV1	3MEEV00042	SOLENOID VALVE	1		
F1	3MEVR02048	FUSE 40A	1		
M1	3MOCC00397	MOTOR VACUUM	1		
M2	3MOCC00406	MOTOR BRUSH	1		