

Parts Manual Manuel de pièces



Hurricane 510 XTT

Automatic Scrubber
Code: 19332

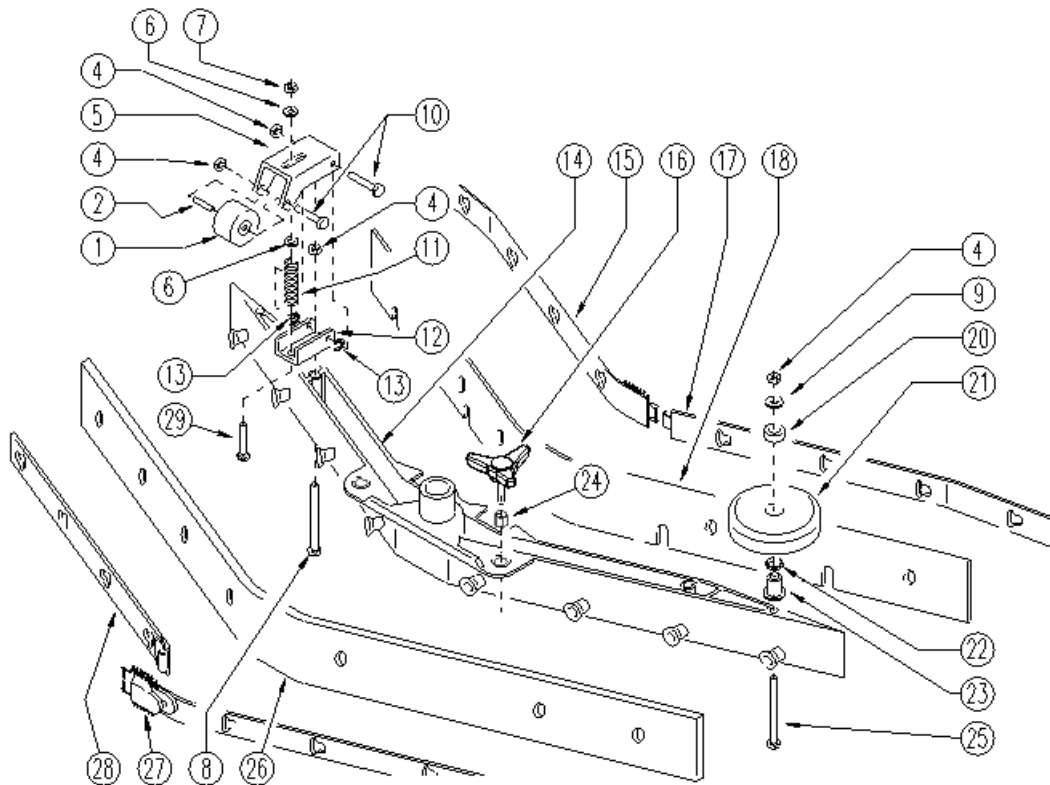
Serial #: _____

Date of Purchase: _____

More info : www.dustbane.ca

07-2010

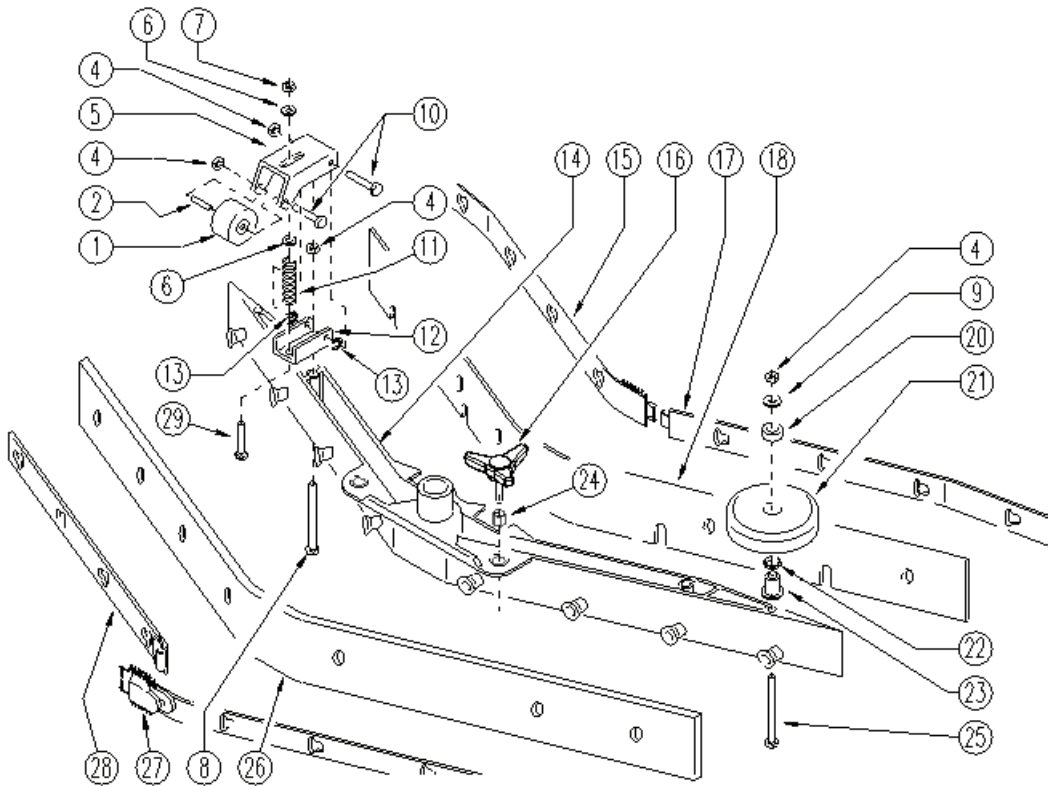
Squeegee



Complete Squeegee Assembly - 3PMVR02003

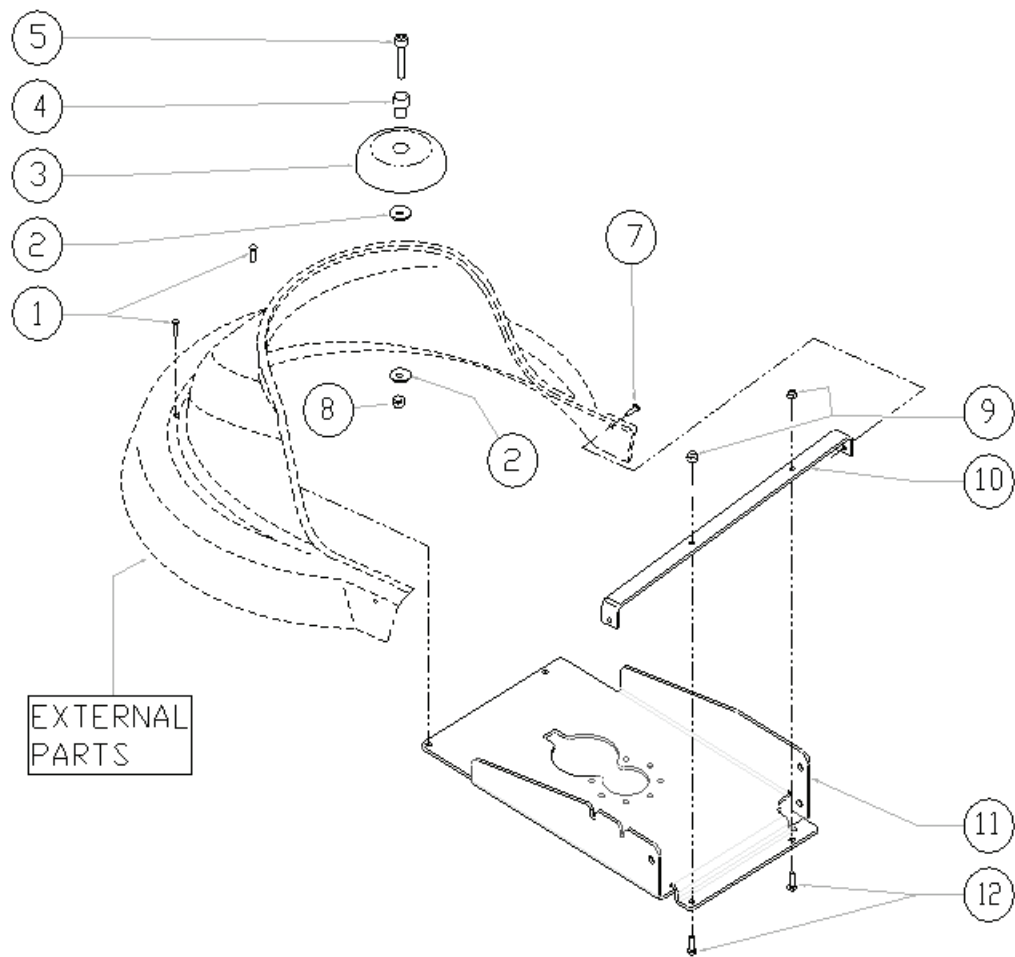
| Ref. | Part N. | Description | Quantity | Validity From | Validity To |
|------|------------|----------------------------|----------|---------------|-------------|
| 1 | 3RTRT49413 | WHEEL D. 60-D.15 X36 NYL. | 2 | | |
| 2 | 3LAFN04041 | SPACER D6/15 | 2 | | |
| 4 | 3VTDD01694 | NUT M 6 INX | 8 | | |
| 5 | 3LAFN05559 | SUPPORT | 2 | | |
| 6 | 3VTRS13947 | WASHER D. 8 INX UNI 6592 | 4 | | |
| 7 | 3VTDD01695 | NUT M 8 INX | 2 | | |
| 8 | 3VTVT15142 | SCREW TE M 6x45 INOX | 2 | | |
| 9 | 3VTRS00245 | WASHER D.6 UNI 6592 INOX | 2 | | |
| 10 | 3VTVT15515 | SCREW TE M 6X 50 INOX A2 | 4 | | |
| 11 | 3MLML49422 | SPRING D.15X 45 X1 | 2 | | |
| 12 | 3LAFN51069 | BRACKET SUPP. SQUEEGEE | 2 | | |
| 13 | 3VTAE45707 | CIRCLIP D. 6 UNI 7434 INOX | 4 | | |
| 14 | 3MFVR00141 | BODY SQUEEGEE | 1 | | |

Squeegee



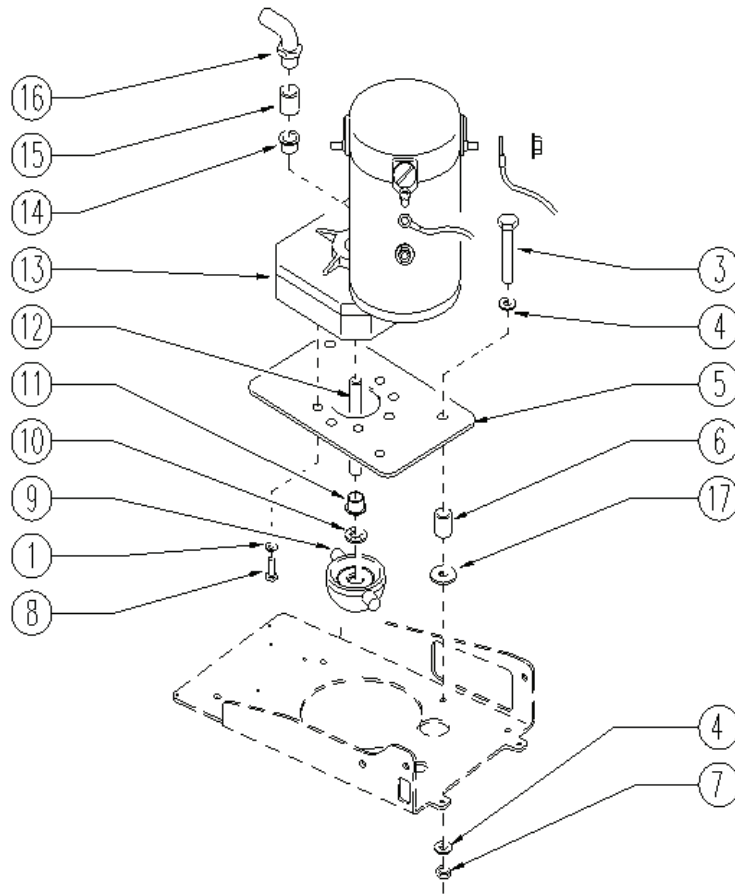
| | | | |
|----|------------|-------------------------------|---|
| 15 | 3LAFN51045 | BLADE HOLDER | 1 |
| 16 | 3MPVR05265 | KNOB 8X25 | 2 |
| 17 | 3LAFN51044 | BLADE HOLDER | 1 |
| 18 | 3MPVR45194 | FRONT SQUEEGEE BLADE | 1 |
| 20 | 3MPVR49229 | BUSHING SHK | 2 |
| 21 | 3MPVR05290 | ROLLER | 2 |
| 22 | 3GUGO00164 | GASKET | 2 |
| 23 | 3LAFN04100 | SPACER | 2 |
| 24 | 3VTVR00022 | INSERT | 2 |
| 25 | 3VTVT17342 | SCREW TE M 6X 60 UNI 5739 INX | 2 |
| 26 | 3MPVR45195 | REAR SQUEEGEE BLADE | 1 |
| 27 | 3LAFN49284 | BLADE HOLDER | 1 |
| 28 | 3LAFN49285 | BLADE HOLDER | 1 |
| 29 | 3VTVT01304 | SCREW M 8X 40 TTQST UNI 5731 | 2 |

Motor Support



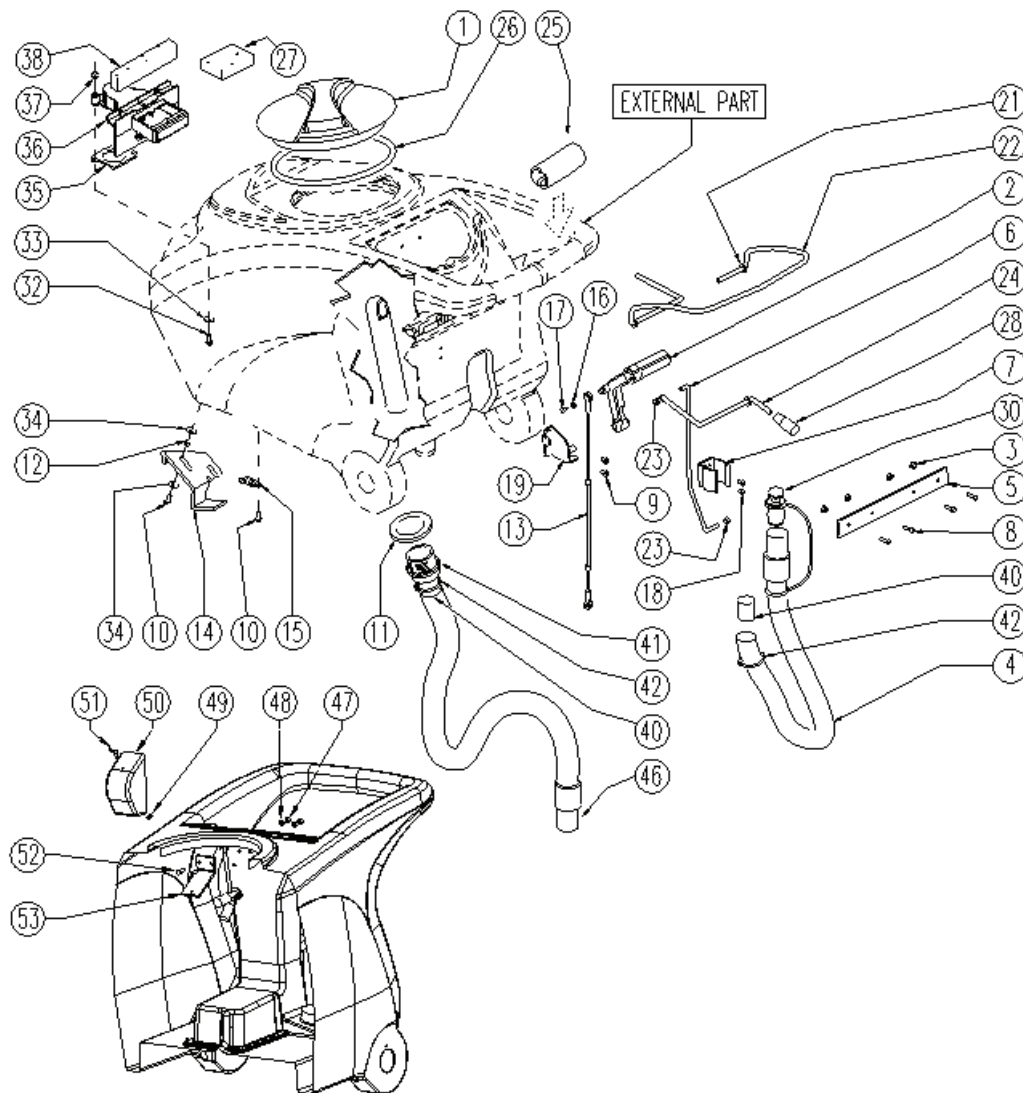
| Ref. | Part N. | Description | Quantity | Validity From | Validity To |
|------|------------|------------------------------|----------|---------------|-------------|
| 1 | 3VTVT00659 | SCREW TC+ M. 4-15 | 2 | | |
| 2 | 3VTRS13946 | WASHER D. 8 X24 INX UNI 6593 | 2 | | |
| 3 | 3RTRT43370 | CASTER D.100 2V. | 1 | | |
| 4 | 3LAFN03915 | BUSHING | 1 | | |
| 5 | 3VTVT00822 | SCREW TCEI M 8-30 | 1 | 06/2009 | |
| 5 | 3VTVT17349 | SCREW TCEI M 8X30 | 1 | | 06/2009 |
| 6 | 3MEVR01281 | SPACER | 2 | | |
| 7 | 3VTVT01366 | SCREW M4X16 | 2 | | |
| 8 | 3VTDD01695 | NUT M 8 INX | 1 | | |
| 9 | 3VTDD15518 | NUT M 6 INX | 2 | | |
| 10 | 3LAFN05899 | SUPPORT BRACKET | 1 | | |
| 11 | 3LAFN07373 | PLATE | 1 | | |
| 12 | 3VTVT15143 | SCREW TE 6X16 UNI5739 | 2 | | |
| 16 | 3LAFN04039 | THICKNESS | 1 | | |

Head



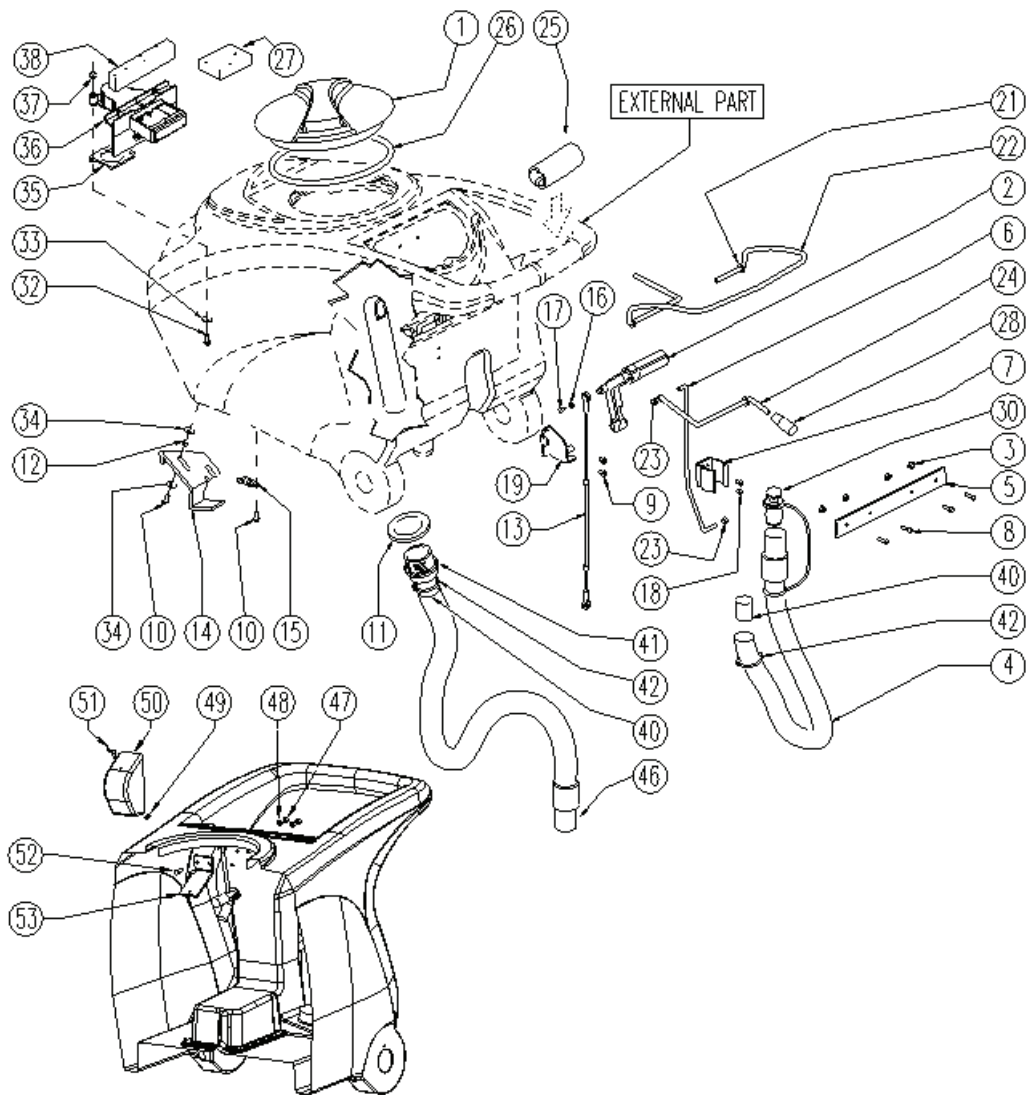
| Ref. | Part N. | Description | Quantity | Validity From | Validity To |
|------|------------|-----------------------------------|----------|---------------|-------------|
| 1 | 3VTRS15144 | WASHER D. 6 INX GRW UNI 1751 | 8 | | |
| 3 | 3VTVT13937 | SCREW TE M 8X 30 INX UNI 5739 | 4 | | |
| 4 | 3VTRS13947 | WASHER D. 8 INX UNI 6592 | 4 | | |
| 5 | 3LAFN05920 | FLANGE | 1 | | |
| 6 | 3RCDS34717 | BUSHING D. 9X12X 8.3 | 4 | | |
| 7 | 3VTDD01695 | NUT M 8 INX | 4 | | |
| 8 | 3VTVT15906 | SCREW TE 6X 12 A2 UNI 5739 | 8 | | |
| 9 | 3MFVR00134 | DRIVE DISK SPAZZOLE | 1 | | |
| 10 | 3MPVR02997 | CLIP | 1 | | 05/2009 |
| 10 | 3VTVR00416 | HANDWHEEL M 6MAX110 D.35 | 1 | 05/2009 | |
| 11 | 3CUVR43254 | BUSHING CB 85 1010 18T | 1 | | |
| 12 | 3LAFN04202 | TUBE INOX D10 | 1 | | |
| 13 | 3MOCC00298 | MOTOR.GEARBOX MRP6 | 1 | | 02/2008 |
| 13 | 3MOCC00327 | MOTOR | 1 | 02/2008 | |
| 14 | 3CUVR43254 | BUSHING CB 85 1010 18T | 1 | | |
| 15 | 3LAFN51028 | BUSHING | 1 | | |
| 16 | 3RCVR45752 | HOSE FITTING "L" 3/8M - D.10 PLS. | 1 | | |
| 17 | 3VTRS00241 | WASHER D. 8-24 | 4 | | |

Tank



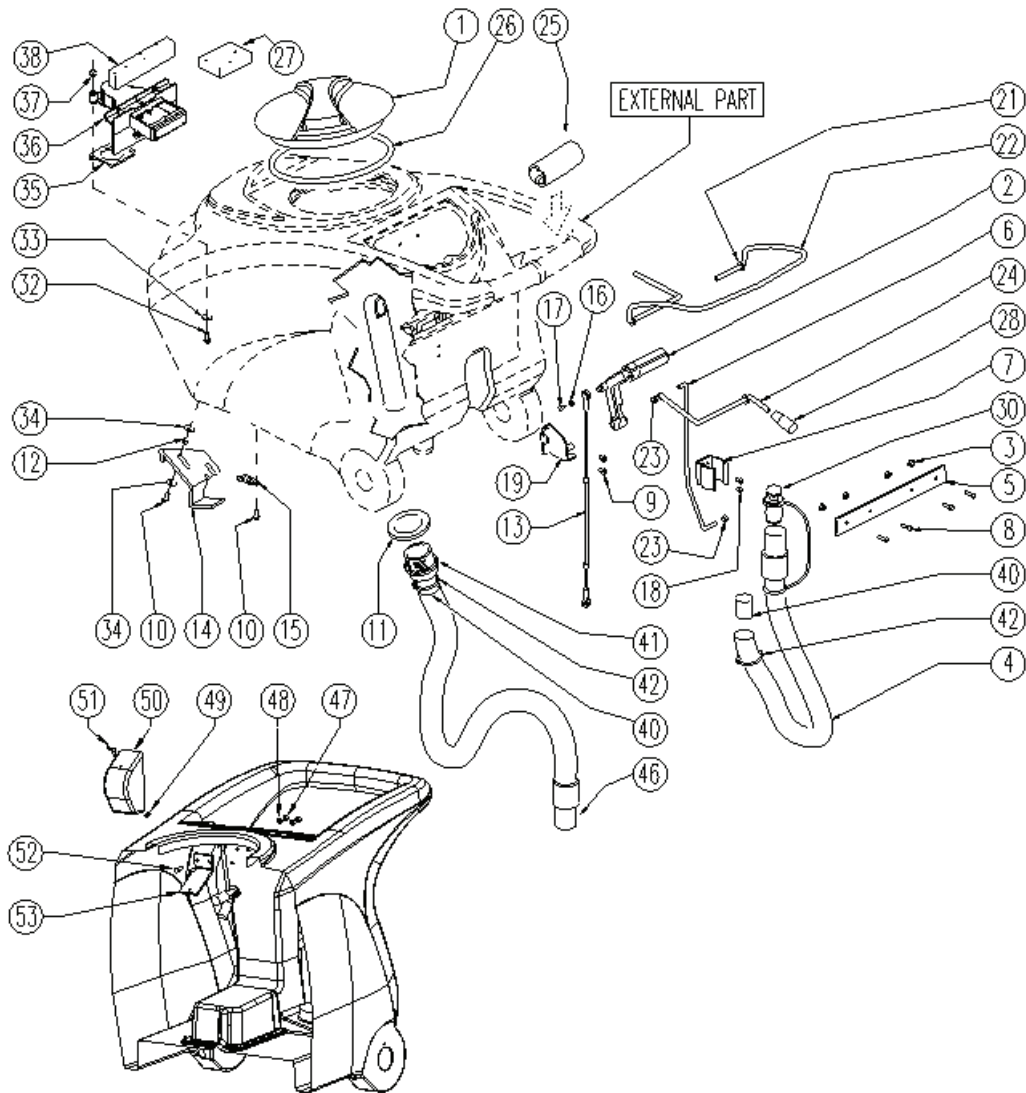
| Ref. | Part N. | Description | Quantity | Validity From | Validity To |
|------|------------|----------------------------|----------|---------------|-------------|
| 1 | 3MPVR04051 | TANK CAP | 1 | | |
| 2 | 3MPVR49942 | LEVER SHK PP | 1 | | |
| 3 | 3VTDD15518 | NUT M 6 INX | 4 | 04/2009 | |
| 4 | 3TBBP00405 | HOSE | 1 | | |
| 5 | 3LAFN05865 | PLATE | 1 | | |
| 6 | 3LAFN05863 | ROD | 1 | | |
| 7 | 3MPVR46988 | CLIP LAV. SHK | 1 | | |
| 8 | 3VTVT00651 | SCREW TBEI M. 5x16 INOX | 4 | 04/2009 | |
| 8 | 3VTVT07726 | SCREW TE 5X20 | 4 | | 04/2009 |
| 9 | 3VTVT15906 | SCREW TE 6X 12 A2 UNI 5739 | 2 | | |
| 10 | 3VTVT15143 | SCREW TE 6X16 UNI5739 | 3 | | |
| 11 | 3GUGO00216 | GASKET | 1 | | 01/2009 |
| 12 | 3LAFN03626 | SPACER | 2 | | |
| 13 | 3CMCV00428 | CABLE SQUEEGEE | 1 | | |
| 14 | 3LAFN06849 | HANDLE CT 70 | 1 | | |

Tank



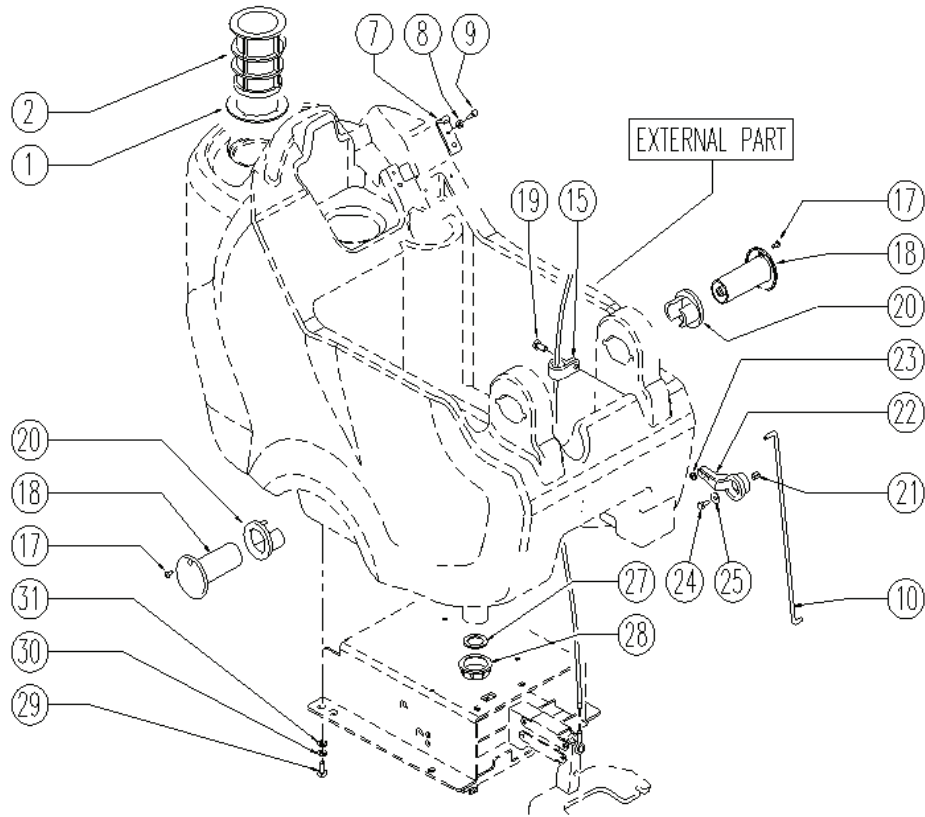
| | | | |
|----|------------|--------------------------------|---|
| 15 | 3MLML00203 | SPRING | 1 |
| 16 | 3VTRS00251 | WASHER 4-16 INOX A2 | 1 |
| 17 | 3VTVT00800 | SCREW TC 4X12 ZN | 1 |
| 18 | 3VTVT21096 | SCREW TE M 4X 10 INX | 2 |
| 19 | 3LAFN05870 | BRACKET SQUEEGEE | 1 |
| 21 | 3VTRS13947 | WASHER D. 8 INX UNI 6592 | 2 |
| 22 | 3LAFN05861 | LEVER | 1 |
| 23 | 3VTDD01694 | NUT M 6 INX | 2 |
| 24 | 3LAFN05908 | ROD | 1 |
| 25 | 3MPVR05215 | KNOB | 2 |
| 26 | 3GUGO00263 | GASKET | 1 |
| 27 | 3FTDP00133 | FILTER | 1 |
| 28 | 3MPVR04146 | KNOB | 1 |
| 30 | 3MPVR05064 | CAP | 1 |
| 32 | 3VTVT01139 | SCREW TE M.4-25 | 2 |
| 33 | 3VTRS00515 | WASHER D. 4 INX | 2 |
| 34 | 3VTRS00274 | WASHER NYLON 66 D.8,4-17-2 UNI | 4 |

Tank



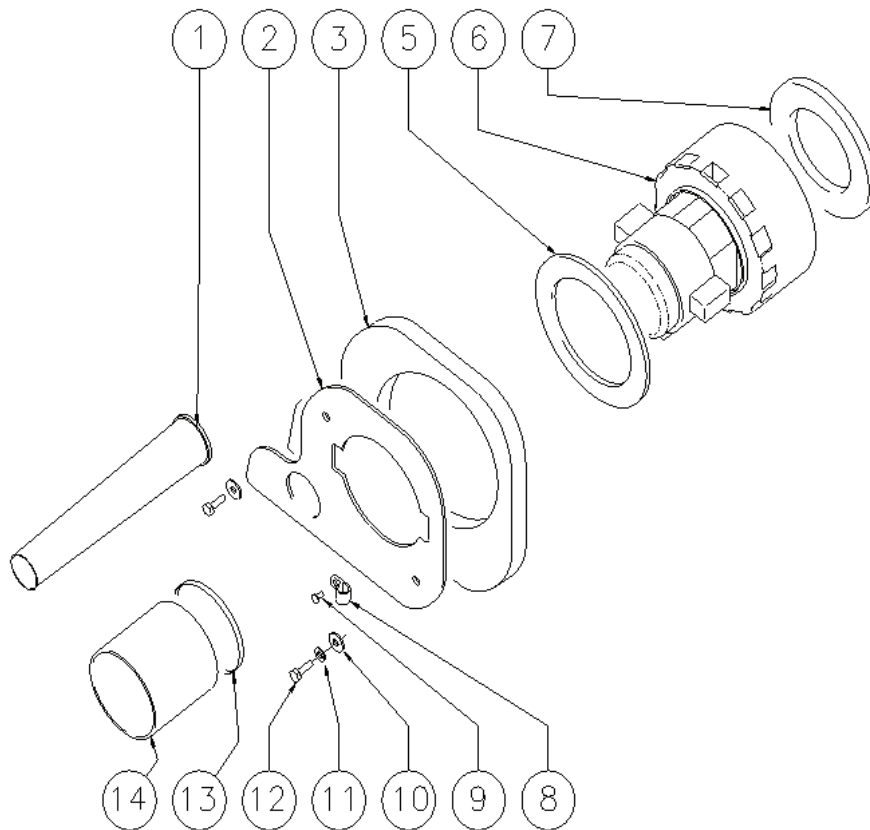
| | | | | |
|----|------------|---------------------------|---|---------|
| 35 | 3GUGO00417 | GASKET | 1 | |
| 36 | 3FTDP00185 | BOX | 1 | 01/2009 |
| 36 | 3MPVR05482 | BOX | 1 | 01/2009 |
| 37 | 3VTDD15925 | NUT M 4 INX | 2 | |
| 38 | 3GUGO00418 | GASKET | 1 | |
| 40 | 3GUGO00245 | GASKET | 1 | |
| 41 | 3RCVR00586 | CONNECTOR 1/4 | 1 | 01/2009 |
| 42 | 3FSVR43136 | CLAMP D. 35-40 DF. | 2 | 01/2009 |
| 46 | 3TBBP00407 | SQUEEGEE HOSE | 1 | 01/2009 |
| 46 | 3TBBP00453 | SQUEEGEE HOSE | 1 | 02/2009 |
| 47 | 3VTDD01693 | NUT M 5 INX | 2 | 04/2009 |
| 48 | 3VTRS00516 | WASHER D. 5 INX | 2 | 04/2009 |
| 49 | 3VTVR01038 | WASHER | 1 | 04/2009 |
| 50 | 3MPVR05596 | PROTECTION | 1 | 04/2009 |
| 51 | 3VTVT01150 | SCREW 4x10 | 1 | 04/2009 |
| 52 | 3VTVT07725 | SCREW TE 5X16 UNI5739 INX | 2 | 04/2009 |
| 53 | 3LAFN07631 | BRACKET | 1 | 04/2009 |

Water Tank



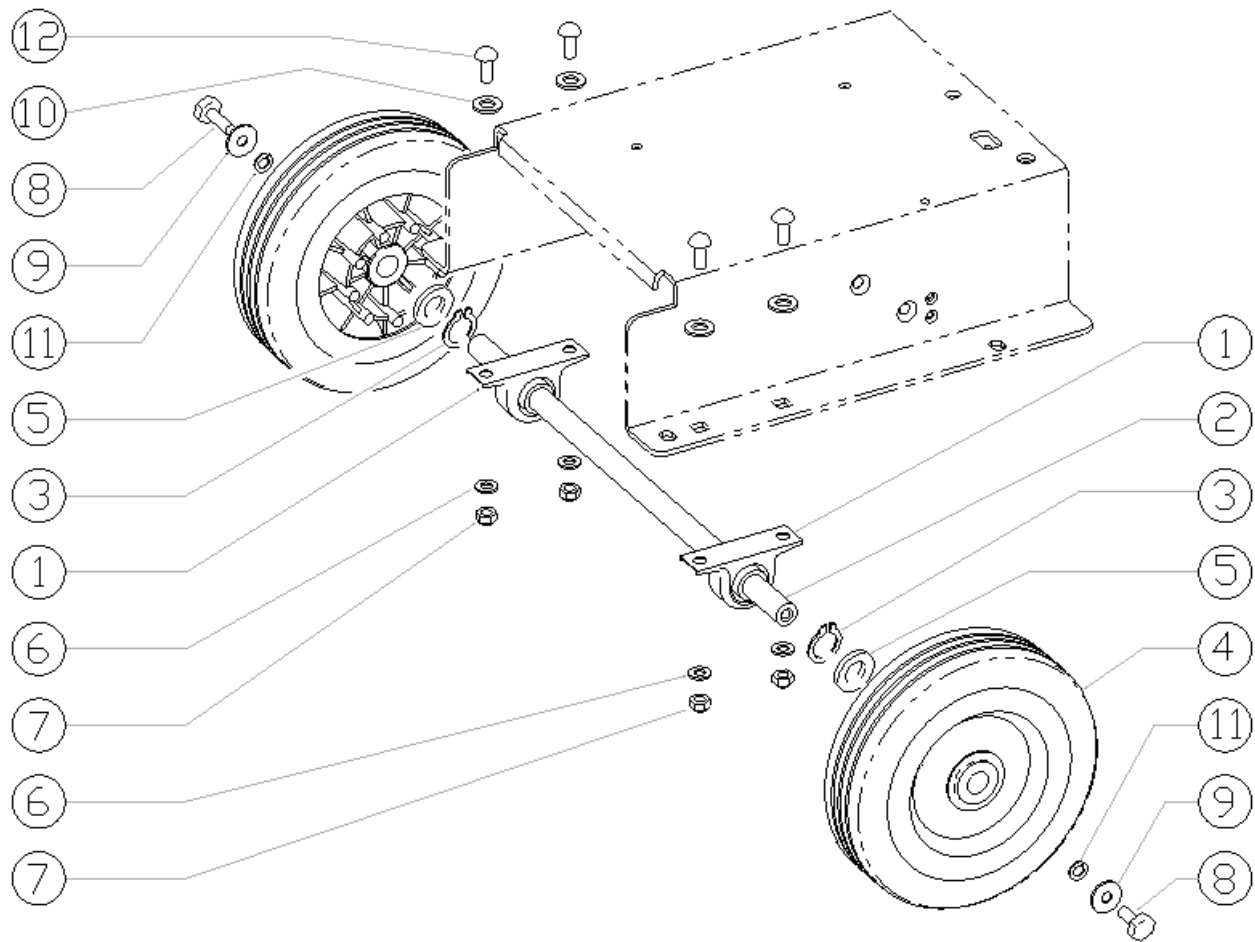
| Ref. | Part N. | Description | Quantity | Validity From | Validity To |
|------|------------|--------------------------------|----------|---------------|-------------|
| 1 | 3GUGO00267 | GASKET FILTER | 1 | | |
| 2 | 3FTAC00040 | FILTER | 1 | | |
| 7 | 3LAFN06489 | PLATE | 1 | | |
| 8 | 3VTRS15144 | WASHER D. 6 INX GRW UNI 1751 | 1 | | |
| 9 | 3VTVT01303 | SCREW TE M6-10 INOX | 1 | | |
| 10 | 3LAFN05862 | ROD | 1 | | |
| 15 | 3MPVR02933 | DUCT LOCK D.9,5 | 2 | | |
| 17 | 3VTVT48694 | SCREW TCB TC 5 X12 UNI 9707 TZ | 2 | | |
| 18 | 3MPVR48695 | PIN SHK.BK | 2 | | |
| 19 | 3VTVT15961 | SCREW M 5X 16 TCB TC UNI 7687 | 1 | | |
| 20 | 3PMVR02028 | RUBBER | 2 | | |
| 21 | 3VTVR48693 | INSERT M6 D.9 | 1 | | |
| 22 | 3MPVR49471 | LEVER SHK | 1 | | |
| 23 | 3VTDD01694 | NUT M 6 INX | 1 | | |
| 24 | 3VTVT15143 | SCREW TE 6X16 UNI5739 | 1 | | |
| 25 | 3VTRS13945 | WASHER D. 6X18 INX UNI 6593 | 1 | | |
| 27 | 3GUGO00416 | GASKET | 1 | | |
| 28 | 3MPVR04931 | CAP | 1 | | |
| 29 | 3VTVT15916 | SCREW TE M 8X 16 UNI 5739 A2 | 4 | | |
| 30 | 3VTRS00269 | WASHER D. 8 DIN 6798-A INX A2 | 4 | | |
| 31 | 3VTRS13947 | WASHER D. 8 INX UNI 6592 | 4 | | |

Vacuum Cleaner



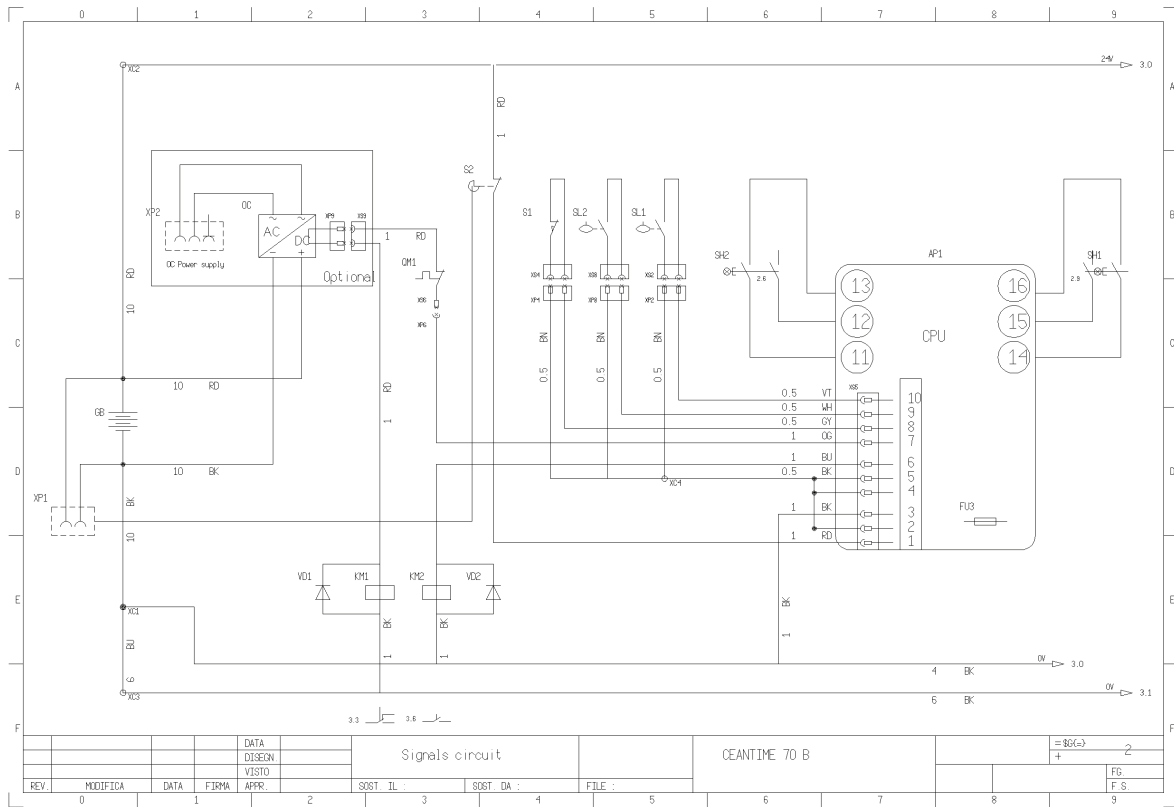
| Ref. | Part N. | Description | Quantity | Validity From | Validity To |
|------|------------|------------------------------|----------|---------------|-------------|
| 1 | 3MPVR05259 | TUBE | 1 | 06/2007 | |
| 1 | 3TBFX00244 | TUBE D 34 L200MM | 1 | | 06/2007 |
| 2 | 3LAFN06363 | FLANGE | 1 | | |
| 3 | 3MPVR05103 | SOUND-PROOFING | 1 | | |
| 5 | 3MPVR04724 | FLANGE NYLON | 1 | | |
| 6 | 3MOCC00253 | MOTOR VAC | 1 | | 11/2008 |
| 6 | 3MOCC00349 | MOTOR VAC | 1 | 11/2008 | |
| 7 | 3GUGO00272 | GASKET | 1 | | |
| 8 | 3FSVR00099 | CLAMP | 1 | | |
| 9 | 3VTVT00813 | SCREW M 4X 8 TCB-TC UNI 8112 | 1 | | |
| 10 | 3VTRS13945 | WASHER D. 6X18 INX UNI 6593 | 2 | | |
| 11 | 3VTRS15144 | WASHER D. 6 INX GRW UNI 1751 | 2 | | |
| 12 | 3VTVT15143 | SCREW TE 6X16 UNI5739 | 2 | | |
| 13 | 3FSVR00118 | CLAMP D.94 | 1 | 05/2007 | |
| 13 | 3FSVR00500 | CLAMP 80-100 INOX | 1 | | 04/2007 |
| 14 | 3TBFX00268 | SUCTION HOSE D80 L=80MM | 1 | | 04/2007 |
| 14 | 3TBFX00312 | SUCTION HOSE | 1 | 05/2007 | |

Traction Motor



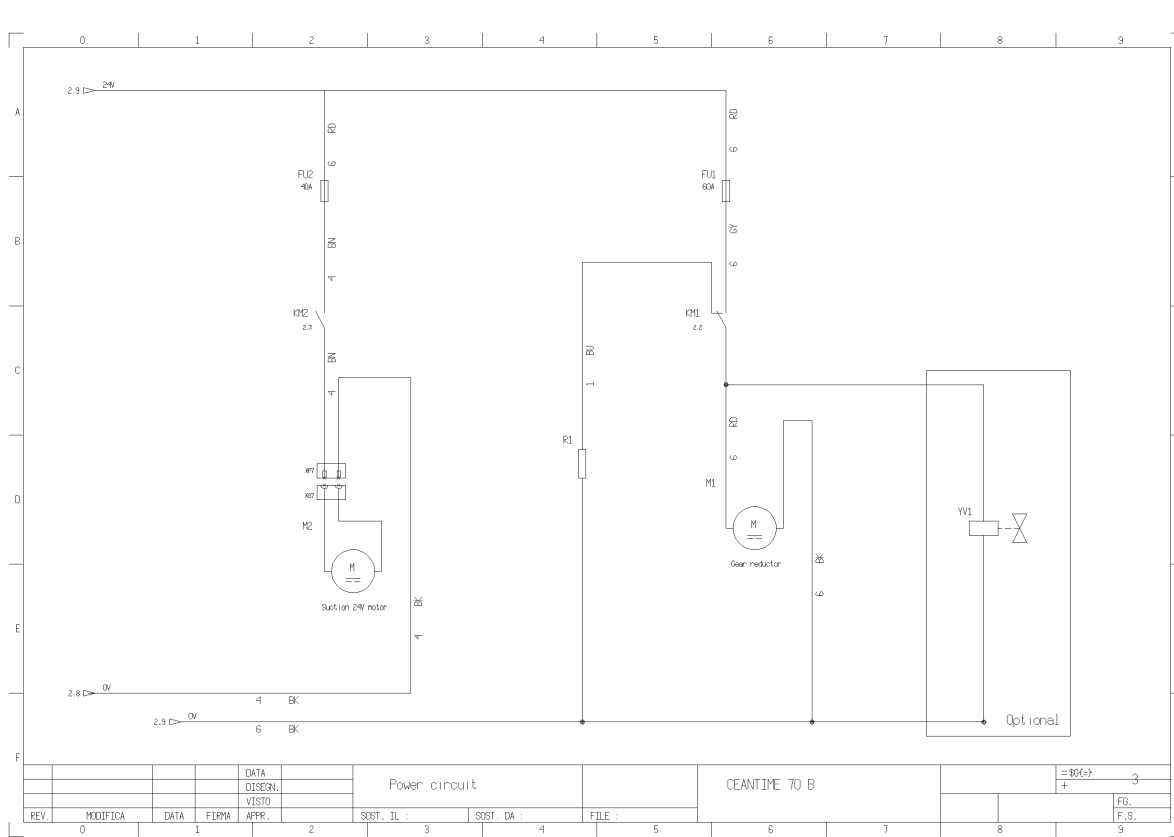
| Ref. | Part N. | Description | Quantity | Validity From | Validity To |
|------|------------|------------------------------|----------|---------------|-------------|
| 1 | 3CUVR49833 | BALL BEARING SBPP 203 | 2 | | |
| 2 | 3ALTR00075 | SHAFT | 1 | | |
| 3 | 3VTAE00065 | RING D17 UNI7435 INOX | 2 | | |
| 4 | 3RTRT00366 | WHEEL D200 X CLT 40 | 2 | | |
| 5 | 3VTRS21763 | WASHER D.17 | 2 | | |
| 6 | 3VTRS13947 | WASHER D. 8 INX UNI 6592 | 4 | | |
| 7 | 3VTDD01695 | NUT M 8 INX | 4 | | |
| 8 | 3VTVT15916 | SCREW TE M 8X 16 UNI 5739 A2 | 2 | | |
| 9 | 3VTRS13946 | WASHER D. 8 X24 INX UNI 6593 | 2 | | |
| 10 | 3VTRS15978 | WASHER D.12X24 UNI 6592 INX | 4 | | |
| 11 | 3VTRS15146 | WASHER D. 8 INX GRW UNI 1751 | 2 | | |
| 12 | 3VTVT00842 | SCREW | 4 | | |

Elec. Diagram 1



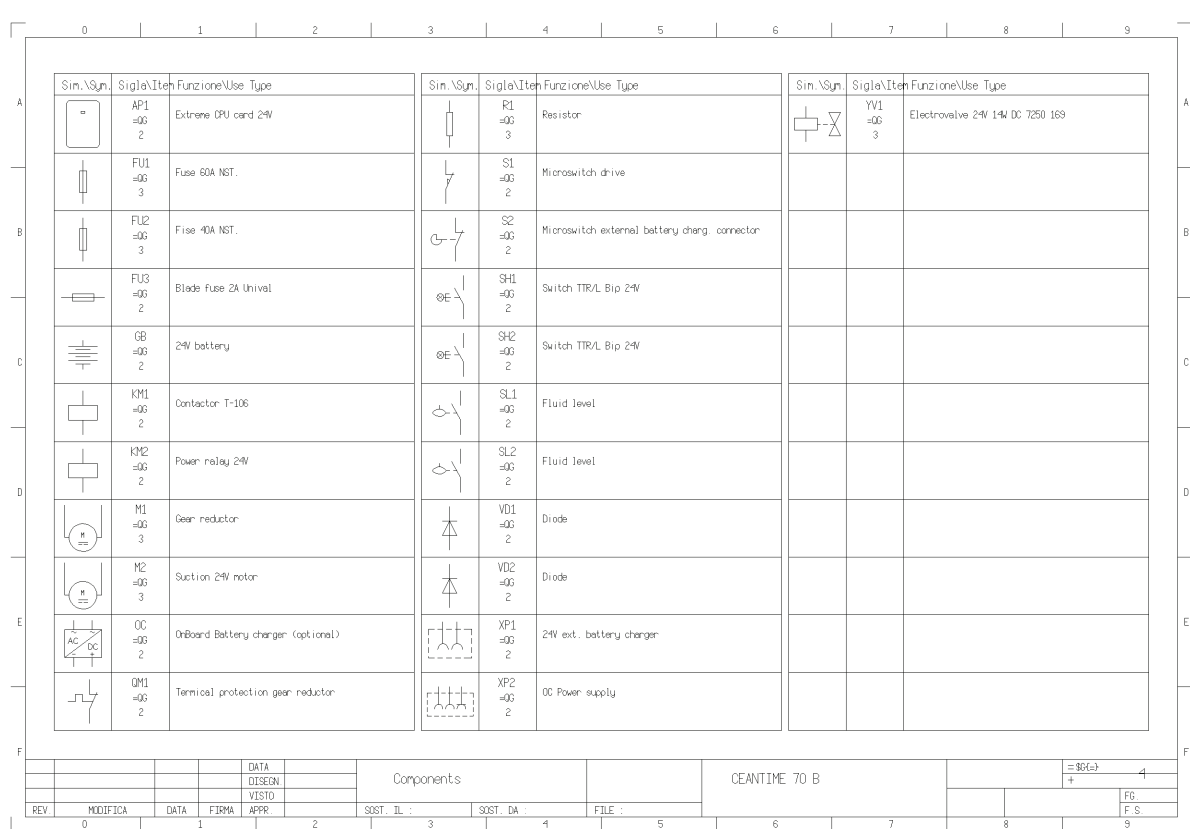
| Ref. | Part N. | Description | Quantity | Validity From | Validity To |
|------|------------|------------------------|----------|---------------|-------------|
| AP1 | 3MECE00398 | BOARD EXTREME 24V | 1 | | |
| FU1 | 3MEVR01332 | FUSE-HOLDER | 1 | | 07/2009 |
| FU1 | 3MEVR31036 | FUSE-HOLDER | 1 | 07/2009 | |
| FU2 | 3MEVR01332 | FUSE-HOLDER | 1 | | 07/2009 |
| FU2 | 3MEVR31036 | FUSE-HOLDER | 1 | 07/2009 | |
| KM1 | 3METT00056 | CONTACTOR T-106 | 1 | | |
| KM2 | 3MECE00139 | RELAY 24V | 1 | | |
| M1 | 3MOCC00298 | MOTOR.GEARBOX MRP6 | 1 | | 02/2008 |
| M1 | 3MOCC00327 | MOTOR | 1 | 02/2008 | |
| M2 | 3MOCC00253 | MOTOR VAC | 1 | | 11/2008 |
| M2 | 3MOCC00349 | MOTOR VAC | 1 | 11/2008 | |
| S1 | 3MECI36393 | MICROSWITCH TRZ. DRW | 1 | | |
| S2 | 3MECI00334 | MICROSWITCH V4 | 1 | | |
| SH1 | 3MECI00346 | SWITCH TTR/L BIP. 24V | 1 | | |
| SH2 | 3MECI00346 | SWITCH TTR/L BIP. 24V | 1 | | |
| SL1 | 3MECI00516 | SENSOR | 1 | | |
| SL2 | 3MECI00516 | SENSOR | 1 | | |
| XP1 | 3MEVR01079 | PLUG M CB50 A 600V RD. | 1 | | |
| YV1 | 3MEEV00018 | SOLENOID VALVE | 1 | | |

Elec Diagram 2



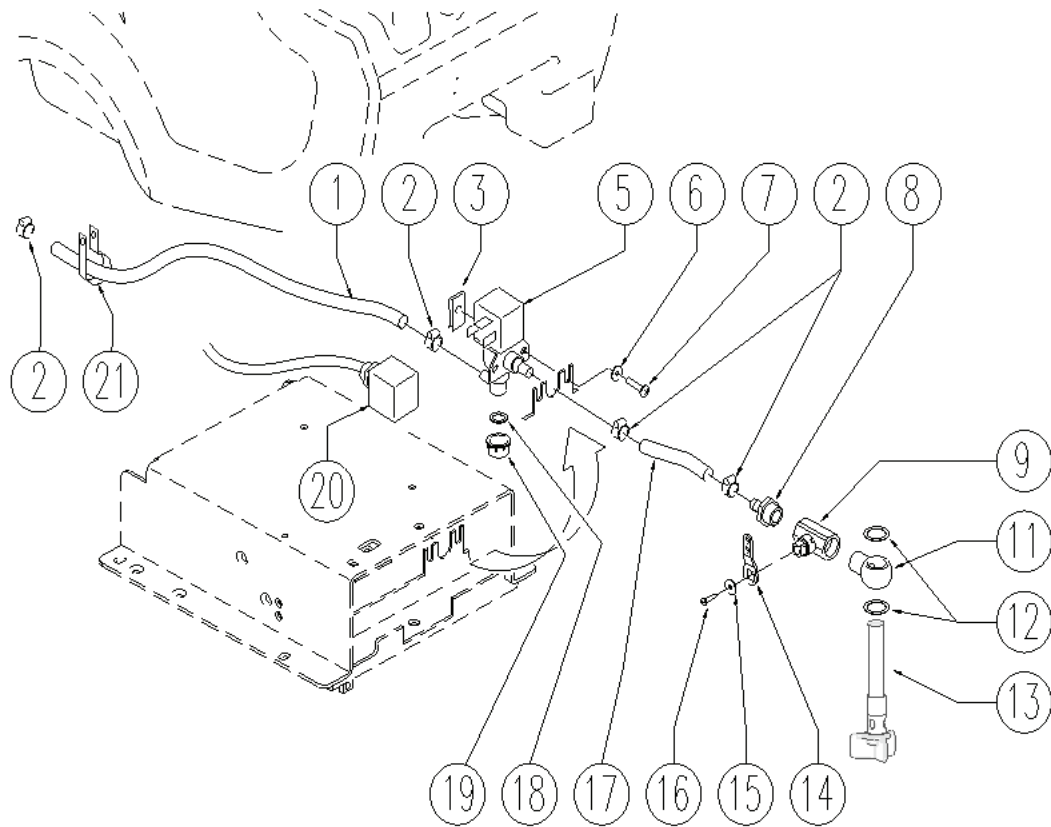
| Ref. | Part N. | Description | Quantity | Validity From | Validity To |
|------|------------|------------------------|----------|---------------|-------------|
| AP1 | 3MECE00398 | BOARD EXTREME 24V | 1 | | |
| FU1 | 3MEVR01332 | FUSE-HOLDER | 1 | | 07/2009 |
| FU1 | 3MEVR31036 | FUSE-HOLDER | 1 | 07/2009 | |
| FU2 | 3MEVR01332 | FUSE-HOLDER | 1 | | 07/2009 |
| FU2 | 3MEVR31036 | FUSE-HOLDER | 1 | 07/2009 | |
| KM1 | 3METT00056 | CONTACTOR T-106 | 1 | | |
| KM2 | 3MECE00139 | RELAY 24V | 1 | | |
| M1 | 3MOCC00298 | MOTOR.GEARBOX MRP6 | 1 | | 02/2008 |
| M1 | 3MOCC00327 | MOTOR | 1 | 02/2008 | |
| M2 | 3MOCC00253 | MOTOR VAC | 1 | | 11/2008 |
| M2 | 3MOCC00349 | MOTOR VAC | 1 | 11/2008 | |
| S1 | 3MECI36393 | MICROSWITCH TRZ. DRW | 1 | | |
| S2 | 3MECI00334 | MICROSWITCH V4 | 1 | | |
| SH1 | 3MECI00346 | SWITCH TTR/L BIP. 24V | 1 | | |
| SH2 | 3MECI00346 | SWITCH TTR/L BIP. 24V | 1 | | |
| SL1 | 3MECI00516 | SENSOR | 1 | | |
| SL2 | 3MECI00516 | SENSOR | 1 | | |
| XP1 | 3MEVR01079 | PLUG M CB50 A 600V RD. | 1 | | |
| YV1 | 3MEEV00018 | SOLENOID VALVE | 1 | | |

Elec Diagram 3



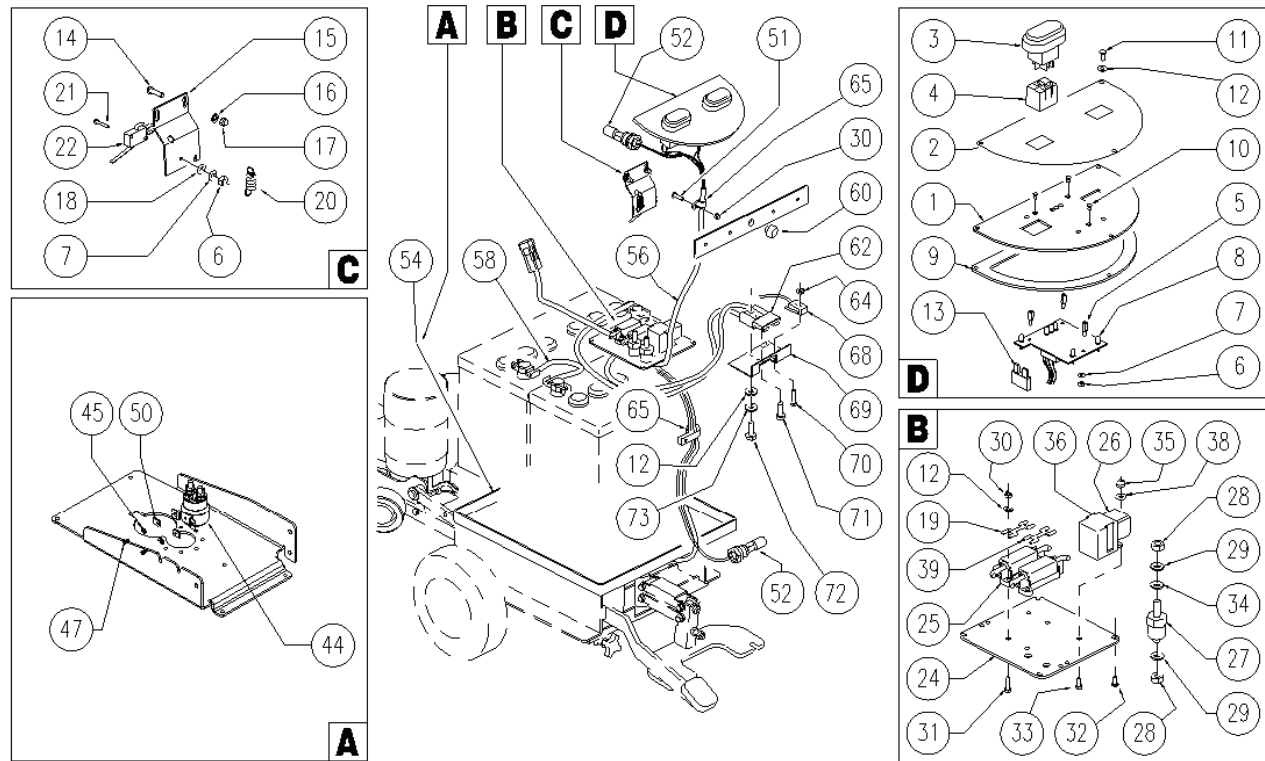
| Ref. | Part N. | Description | Quantity | Validity From | Validity To |
|------|------------|------------------------|----------|---------------|-------------|
| AP1 | 3MECE00398 | BOARD EXTREME 24V | 1 | | |
| FU1 | 3MEVR01332 | FUSE-HOLDER | 1 | | 07/2009 |
| FU1 | 3MEVR31036 | FUSE-HOLDER | 1 | 07/2009 | |
| FU2 | 3MEVR01332 | FUSE-HOLDER | 1 | | 07/2009 |
| FU2 | 3MEVR31036 | FUSE-HOLDER | 1 | 07/2009 | |
| KM1 | 3METT00056 | CONTACTOR T-106 | 1 | | |
| KM2 | 3MECE00139 | RELAY 24V | 1 | | |
| M1 | 3MOCC00298 | MOTOR.GEARBOX MRP6 | 1 | | 02/2008 |
| M1 | 3MOCC00327 | MOTOR | 1 | 02/2008 | |
| M2 | 3MOCC00253 | MOTOR VAC | 1 | | 11/2008 |
| M2 | 3MOCC00349 | MOTOR VAC | 1 | 11/2008 | |
| S1 | 3MECI36393 | MICROSWITCH TRZ. DRW | 1 | | |
| S2 | 3MECI00334 | MICROSWITCH V4 | 1 | | |
| SH1 | 3MECI00346 | SWITCH TTR/L BIP. 24V | 1 | | |
| SH2 | 3MECI00346 | SWITCH TTR/L BIP. 24V | 1 | | |
| SL1 | 3MECI00516 | SENSOR | 1 | | |
| SL2 | 3MECI00516 | SENSOR | 1 | | |
| XP1 | 3MEVR01079 | PLUG M CB50 A 600V RD. | 1 | | |
| YV1 | 3MEEV00018 | SOLENOID VALVE | 1 | | |

Solenoid Valve



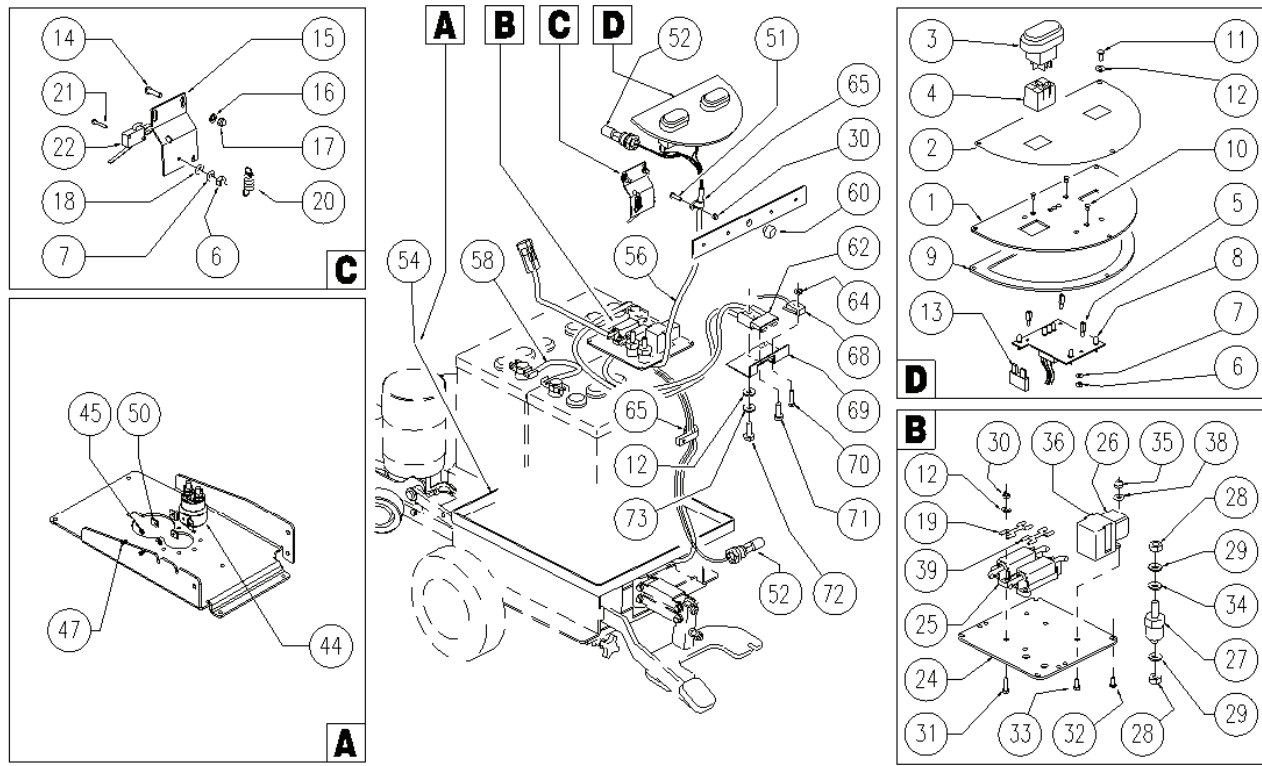
| Ref. | Part N. | Description | Quantity | Validity From | Validity To |
|------|------------|--------------------------------|----------|---------------|-------------|
| 1 | 3TBFX00308 | TUBE L=580MM | 1 | | |
| 2 | 3FSVR00091 | CLAMP 14-24 | 4 | | |
| 3 | 3MLML00002 | SPRING | 2 | | |
| 5 | 3MEEV00018 | SOLENOID VALVE | 1 | | |
| 6 | 3VTRS00516 | WASHER D. 5 INX | 2 | | |
| 7 | 3VTVT48694 | SCREW TCB TC 5 X12 UNI 9707 TZ | 2 | | |
| 8 | 3RCVR00536 | CONNECTOR | 1 | | |
| 9 | 3RCGR00065 | TAP F/F 1/2" | 1 | | |
| 11 | 3RCDS49622 | CONNECTOR OCC 1/2 - 1/2M | 1 | | |
| 12 | 3VTRS00142 | WASHER 1/2" | 2 | | |
| 13 | 3MPVR05221 | FILTER COMPLETE | 1 | | |
| 14 | 3LAFN05902 | LEVER | 1 | | |
| 15 | 3VTRS00251 | WASHER 4-16 INOX A2 | 1 | | |
| 16 | 3VTVT01316 | SCREW TC+ M3-16 | 1 | | |
| 17 | 3TBFX00309 | TUBE FLEX D.10X3 L=155MM | 1 | | |
| 18 | 3GUGO00268 | GASKET D.21 SP.3 | 1 | | |
| 19 | 3RCVR00353 | CAP 1/2"G X ELETTR. ACL | 1 | | |
| 20 | 3MECB00916 | WIRING | 1 | | |
| 21 | 3FSVR00032 | CLAMP | 1 | | |

Electri. Instal



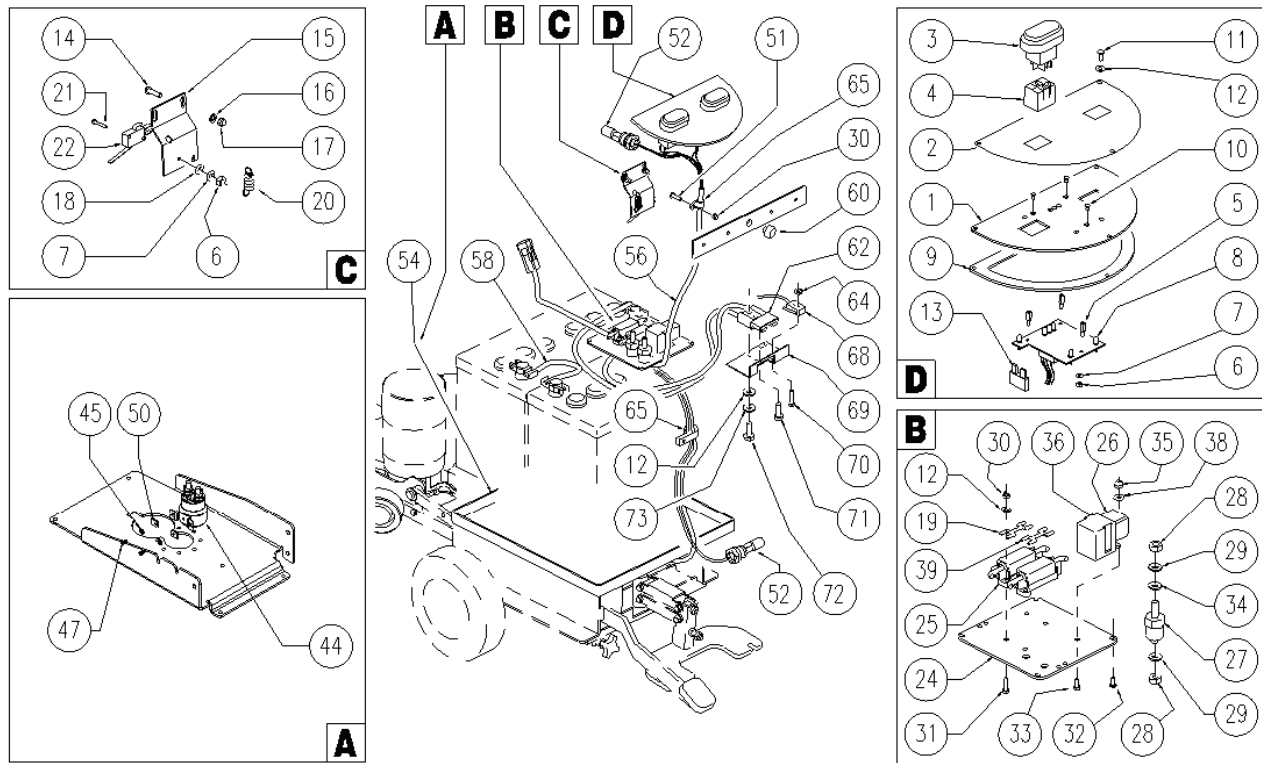
| Ref. | Part N. | Description | Quantity | Validity From | Validity To |
|------|------------|---------------------------------|----------|---------------|-------------|
| 1 | 3LAFN05860 | SHEET METAL | 1 | | |
| 2 | 3ETET01372 | LABEL | 1 | | |
| 3 | 3MECI00346 | SWITCH TTR/L BIP. 24V | 2 | | |
| 4 | 3MECI00384 | BASE 401 | 2 | | |
| 5 | 3LAFN04047 | SPACER | 3 | | |
| 6 | 3VTDD21115 | NUT M 3 INOX | 7 | | |
| 7 | 3VTRS00268 | WASHER D.3 | 7 | | |
| 8 | 3MECE00398 | BOARD EXTREME 24V | 1 | | |
| 9 | 3GUGO38417 | GASKET | 1 | | |
| 10 | 3VTVT00865 | SCREW TSP-TC M 3X 6 UNI7688 INX | 3 | | |
| 11 | 3VTVT37012 | SCREW M 4X 10 TCB-TC INX | 3 | | |
| 12 | 3VTRS00515 | WASHER D. 4 INX | 10 | | |
| 13 | 3MEVR01428 | FUSE A LAMA 2 A. UNIVAL | 1 | | |
| 14 | 3VTVT07725 | SCREW TE 5X16 UNI5739 INX | 2 | | |
| 15 | 3LAFN05904 | PLATE MICRO LEVA | 1 | | |
| 16 | 3VTRS00516 | WASHER D. 5 INX | 2 | | |
| 17 | 3VTDD01693 | NUT M 5 INX | 4 | | |
| 18 | 3VTRS21116 | WASHER D. 3 INX | 2 | | |
| 19 | 3MEVR02887 | FUSE 40A NST. | 1 | | |

Electri. Instal



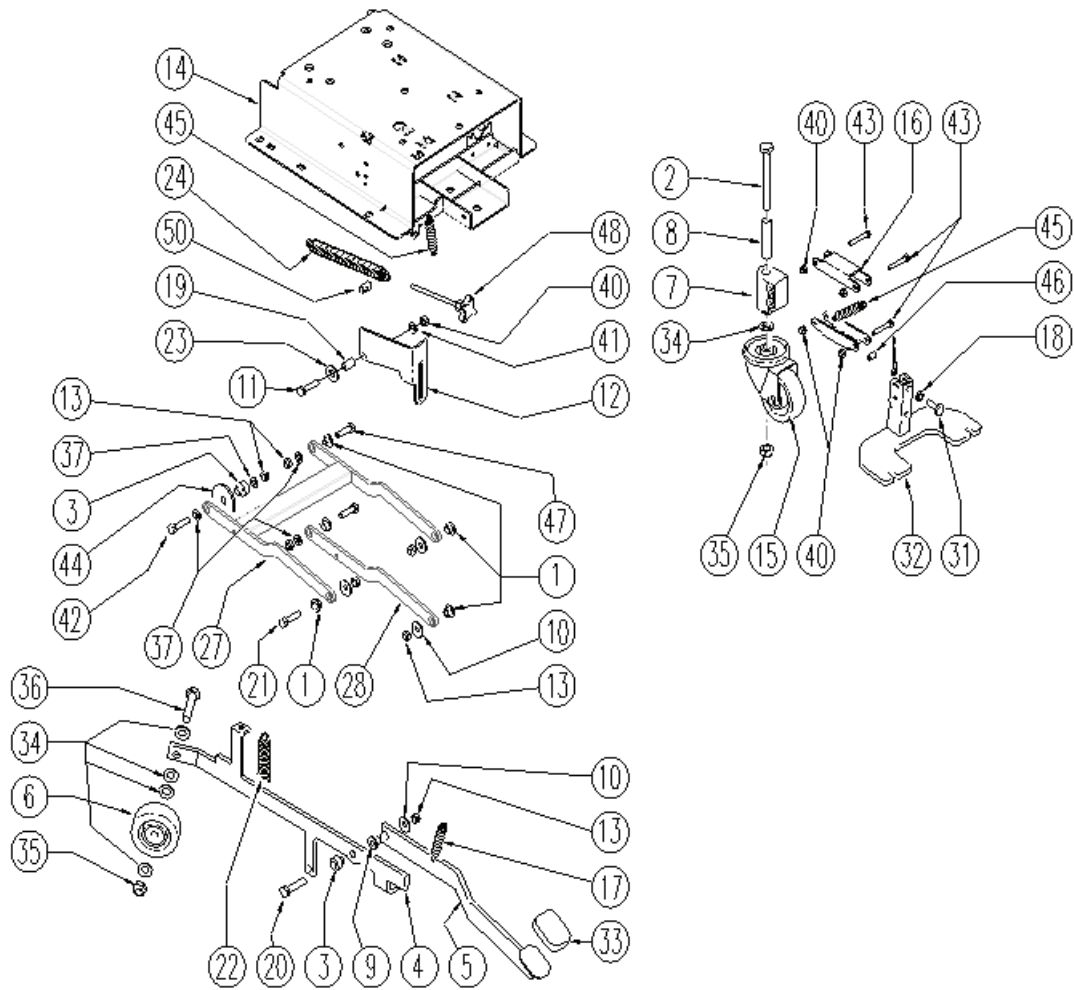
| | | | | |
|----|------------|-------------------------------|---|---------|
| 20 | 3MLML34726 | SPRING TR E350 N | 1 | |
| 21 | 3VTVT01316 | SCREW TC+ M3-16 | 2 | |
| 22 | 3MECI36393 | MICROSWITCH TRZ. DRW | 1 | |
| 24 | 3LAFN05903 | PLATE | 1 | |
| 25 | 3MEVR01332 | FUSE-HOLDER | 2 | 07/2009 |
| 25 | 3MEVR31036 | FUSE-HOLDER | 2 | 07/2009 |
| 26 | 3MECE00139 | RELAY 24V | 1 | |
| 27 | 3MEVR01116 | SUPPORT 120 A | 3 | |
| 28 | 3VTDD15521 | NUT M 8 INX A2 UNI 5588 | 6 | |
| 29 | 3VTRS01080 | WASHER D. 8 GRW | 6 | |
| 30 | 3VTDD15925 | NUT M 4 INX | 6 | |
| 31 | 3VTVT00704 | SCREW TE M 4X 16 UNI5739 INOX | 5 | |
| 32 | 3VTVT01580 | SCREW TC M5X10 UNI7687 INOX | 4 | 05/2009 |
| 32 | 3VTVT07521 | SCREW TCB 5X10 | 4 | 05/2009 |
| 33 | 3VTVT21096 | SCREW TE M 4X 10 INX | 1 | |
| 34 | 3VTRS13947 | WASHER D. 8 INX UNI 6592 | 3 | |
| 35 | 3VTDD00147 | NUT M 4 INX U.5588 | 1 | |
| 36 | 3METT00053 | RELAY SUPPORT | 1 | |
| 38 | 3VTRS13750 | WASHER D. 5X14 INX | 1 | |
| 39 | 3MEVR00604 | FUSE | 1 | 07/2007 |

Electri. Instal



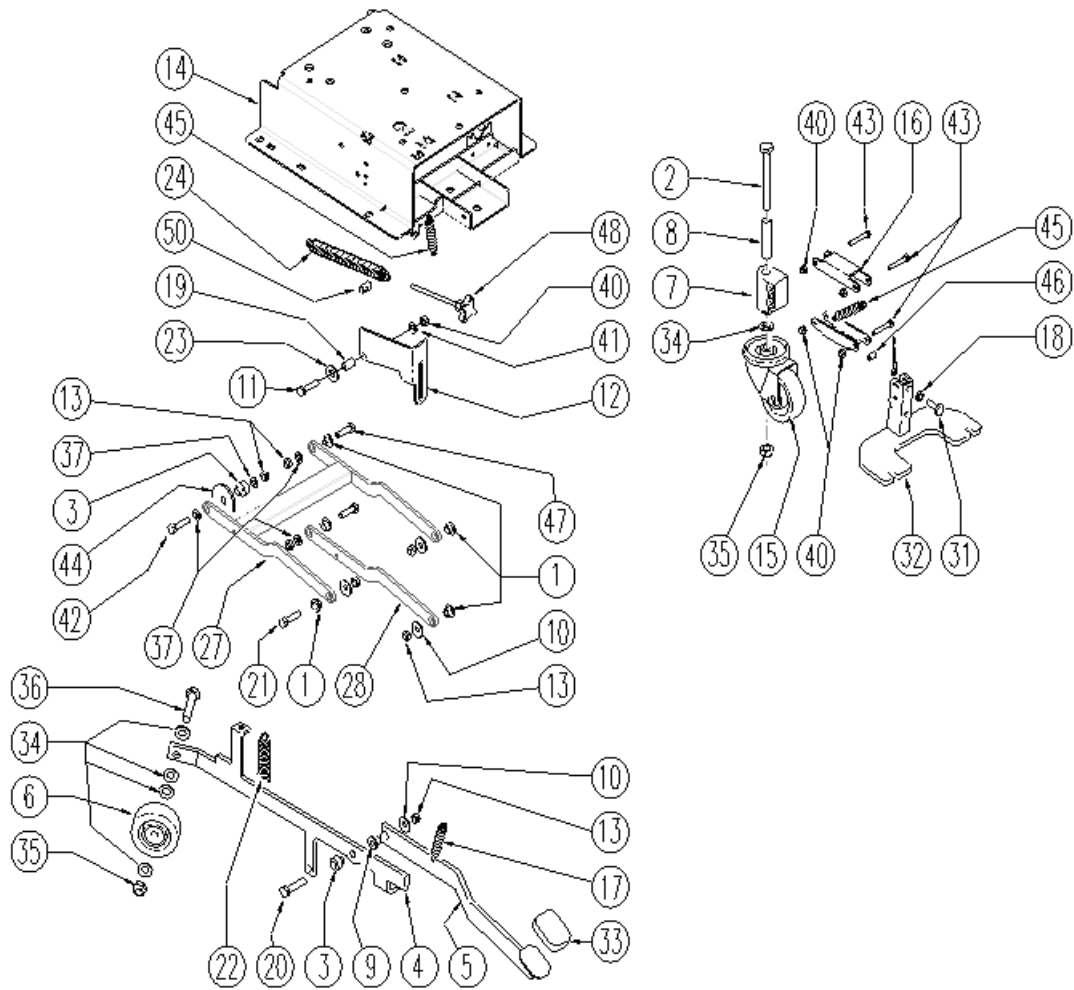
| | | | | |
|----|------------|--------------------------------|---|---------|
| 39 | 3MEVR42990 | FUSE 60A NST. | 1 | 07/2007 |
| 44 | 3METT45116 | CONTACTOR 24V T106 P | 1 | |
| 45 | 3VTRS00516 | WASHER D. 5 INX | 2 | |
| 47 | 3VTVT48694 | SCREW TCB TC 5 X12 UNI 9707 TZ | 2 | |
| 50 | 3MLML00002 | SPRING | 2 | |
| 51 | 3VTVT00704 | SCREW TE M 4X 16 UNI5739 INOX | 1 | |
| 52 | 3MECI00516 | SENSOR | 2 | |
| 54 | 3LAFN35588 | BATTERY SUPPORT | 1 | |
| 56 | 3MECB01009 | ELECTRI.INSTAL.CT 40 B 24V | 1 | |
| 58 | 3MEVR34820 | WIRING B 450 BT | 1 | |
| 60 | 3MPVR00043 | CAP | 1 | |
| 62 | 3MEVR01707 | CONNECTOR | 1 | |
| 64 | 3VTDD08634 | NUT M2 | 2 | |
| 65 | 3FSVR00099 | CLAMP | 2 | |
| 68 | 3MECI00334 | MICROSWITCH V4 | 1 | |
| 69 | 3LAFN06409 | SUPPORT | 1 | |
| 70 | 3VTVT00671 | SCREW TC- M.2-16 | 2 | |
| 71 | 3VTVT00872 | SCREW TSP+ 2.9X13 | 1 | |
| 72 | 3VTVT00814 | SCREW TE M.4-25 | 2 | |
| 73 | 3VTRS15913 | WASHER D. 4 A2 UNI1751 | 2 | |

Frame



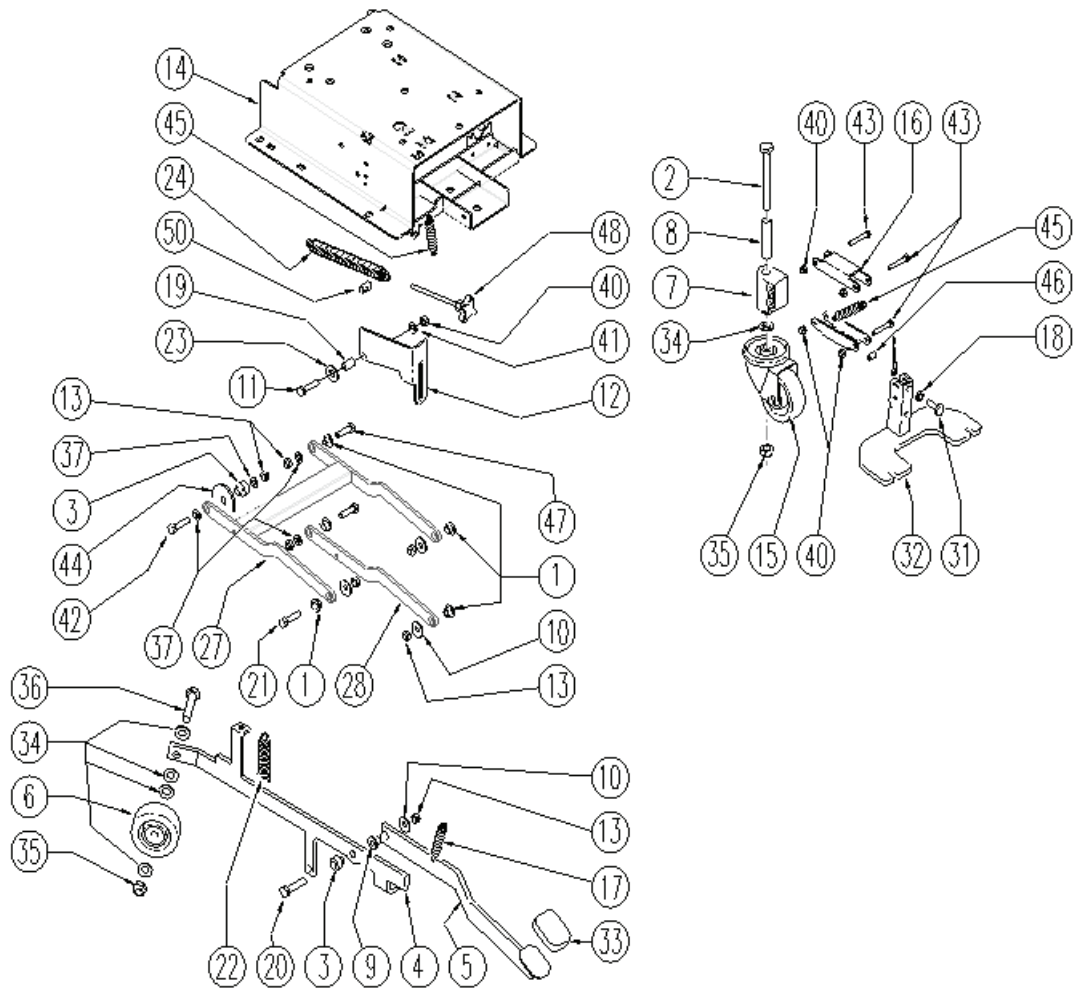
| Ref. | Part N. | Description | Quantity | Validity From | Validity To |
|------|------------|---------------------------------|----------|---------------|-------------|
| 1 | 3LAFN06391 | BUSHING | 5 | | |
| 2 | 3VTVT24212 | SCREW TE M 12X100 UNI 5737 INOX | 1 | | |
| 3 | 3LAFN04190 | BUSHING | 2 | | |
| 4 | 3LAFN06359 | LEVER | 1 | | |
| 5 | 3LAFN06417 | LEVER | 1 | | 01/2009 |
| 5 | 3LAFN07602 | LEVER | 1 | 01/2009 | |
| 6 | 3RTRT49171 | CASTER D. 80-12 | 1 | | |
| 7 | 3MPVR04734 | BLOCK | 1 | | |
| 8 | 3LAFN04188 | PIN | 1 | | |
| 9 | 3LAFN51068 | BUSHING | 1 | | |
| 10 | 3VTRS13946 | WASHER D. 8 X24 INX UNI 6593 | 4 | | |
| 11 | 3VTVT00161 | SCREW TE M6X20 | 1 | | |
| 12 | 3LAFN10124 | PLATE | 1 | | |
| 13 | 3VTDD01695 | NUT M 8 INX | 7 | | |
| 14 | 3LAFN07293 | BASE | 1 | | |
| 15 | 3RTRT00276 | SMALL WHEEL | 1 | | 05/2008 |

Frame



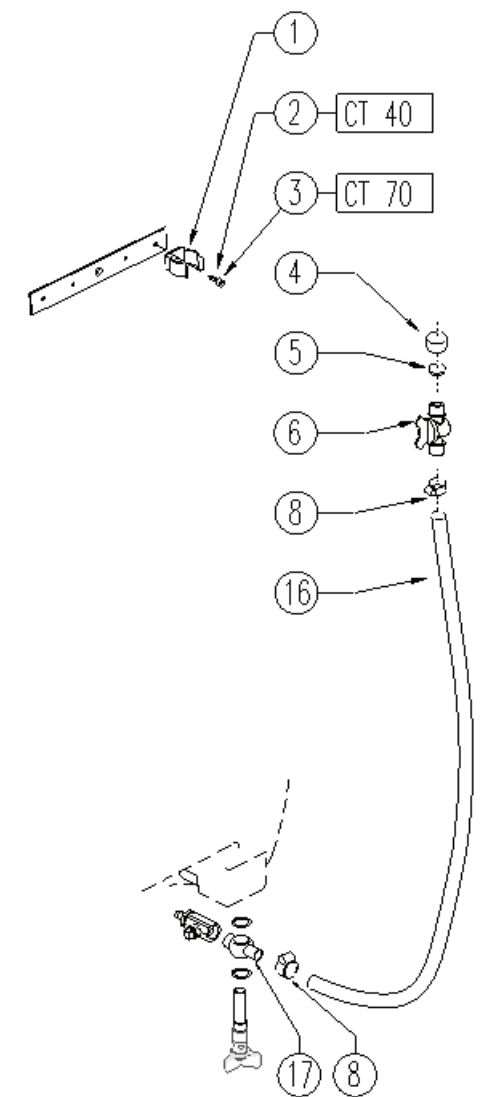
| | | | | | |
|----|------------|--------------------------------|---|---------|---------|
| 15 | 3RTRT00518 | WHEEL D.80 | 1 | 05/2008 | |
| 16 | 3LAFN05853 | LEVER ARM | 2 | | |
| 17 | 3MLML34726 | SPRING TR E350 N | 1 | | |
| 18 | 3VTDD15521 | NUT M 8 INX A2 UNI 5588 | 1 | | |
| 19 | 3LAFN03840 | BUSHING | 1 | | |
| 20 | 3VTVT15917 | SCREW TE M 8X50 INOX A2 UNI | 1 | | |
| 21 | 3VTVT15907 | SCREW TE 8X25 UNI5739 INX | 3 | | |
| 22 | 3MLML00310 | SPRING | 1 | | 01/2008 |
| 22 | 3MLML00313 | SPRING | 1 | 05/2008 | |
| 22 | 3MLML00313 | SPRING | 1 | 01/2008 | 05/2008 |
| 23 | 3VTRS00274 | WASHER NYLON 66 D.8,4-17-2 UNI | 1 | | |
| 24 | 3MLML31130 | SPRING D. 17.5 X110 N38 | 1 | | |
| 27 | 3LAFN06388 | ARM | 1 | | |
| 28 | 3LAFN06389 | ARM | 1 | | |
| 31 | 3VTVT00447 | SCREW TE 8X25 UNI5739 | 1 | | |
| 31 | 3VTVT00908 | GRUB SCREW M.8-25 PIANO | 1 | | 04/2007 |
| 32 | 3LAFN06355 | PLATE SQUEEGEE | 1 | | 04/2009 |

Frame



| | | | | |
|----|------------|-------------------------------|---|---------|
| 32 | 3LAFN07560 | PLATE | 1 | 04/2009 |
| 33 | 3MPVR05186 | COVER | 1 | |
| 34 | 3VTRS00312 | WASHER D.13 x24 INOX | 5 | |
| 35 | 3VTDD00176 | NUT M.12 INOX A2 | 2 | |
| 36 | 3VTVT00836 | SCREW TE M12-60 INOX | 1 | |
| 37 | 3VTRS13947 | WASHER D. 8 INX UNI 6592 | 4 | |
| 40 | 3VTDD01694 | NUT M 6 INX | 5 | |
| 41 | 3VTRS00245 | WASHER D.6 UNI 6592 INOX | 1 | |
| 42 | 3VTVT00410 | SCREW TE M8x35 UNI5739 INOX | 1 | |
| 43 | 3VTVT15145 | SCREW TE 6X40 UNI5739 INX | 4 | |
| 44 | 3MPVR05134 | GASKET D.60 D.12 SP.2 | 1 | |
| 45 | 3MLML00303 | SPRING FLAP | 2 | |
| 46 | 3LAFN03742 | SPACER SILENCE | 1 | 06/2008 |
| 46 | 3LAFN06898 | SPACER 6,1-9 h25 | 1 | 06/2008 |
| 47 | 3VTVT13937 | SCREW TE M 8X 30 INX UNI 5739 | 2 | |
| 48 | 3VTVR35749 | HANDWHEEL M 6MAX110 D.35 | 1 | |
| 50 | 3LAFN35747 | SPRING SUPPORT LAV. E/B 450 | 1 | |

Kit



Drain Hose Complete Kit - 3KTRI01870

| Ref. | Part N. | Description | Quantity | Validity From | Validity To |
|------|------------|--------------------------|----------|---------------|-------------|
| 1 | 3MPVR05280 | CLIP M25 | 1 | | |
| 2 | 3VTVT19236 | SCREW TCEI 5X20 UNI 5931 | 1 | | |
| 3 | 3VTVT01327 | SCREW TCEI 5X25 UNI5931 | 1 | | |
| 4 | 3RCVR00353 | CAP 1/2"G X ELETTR. ACL | 1 | | |
| 5 | 3GUGO00268 | GASKET D.21 SP.3 GOMMA | 1 | | |
| 6 | 3RCVR00590 | CONNECTOR 1/2 M RESCA 15 | 1 | | |
| 8 | 3FSVR00428 | CLAMP D. 12-20 | 4 | | |
| 16 | 3TBBP00435 | TUBE D.16 | 1 | | |
| 17 | 3RCVR00747 | CONNECTOR G 1/2 | 1 | | |

