

# PARTS MANUAL

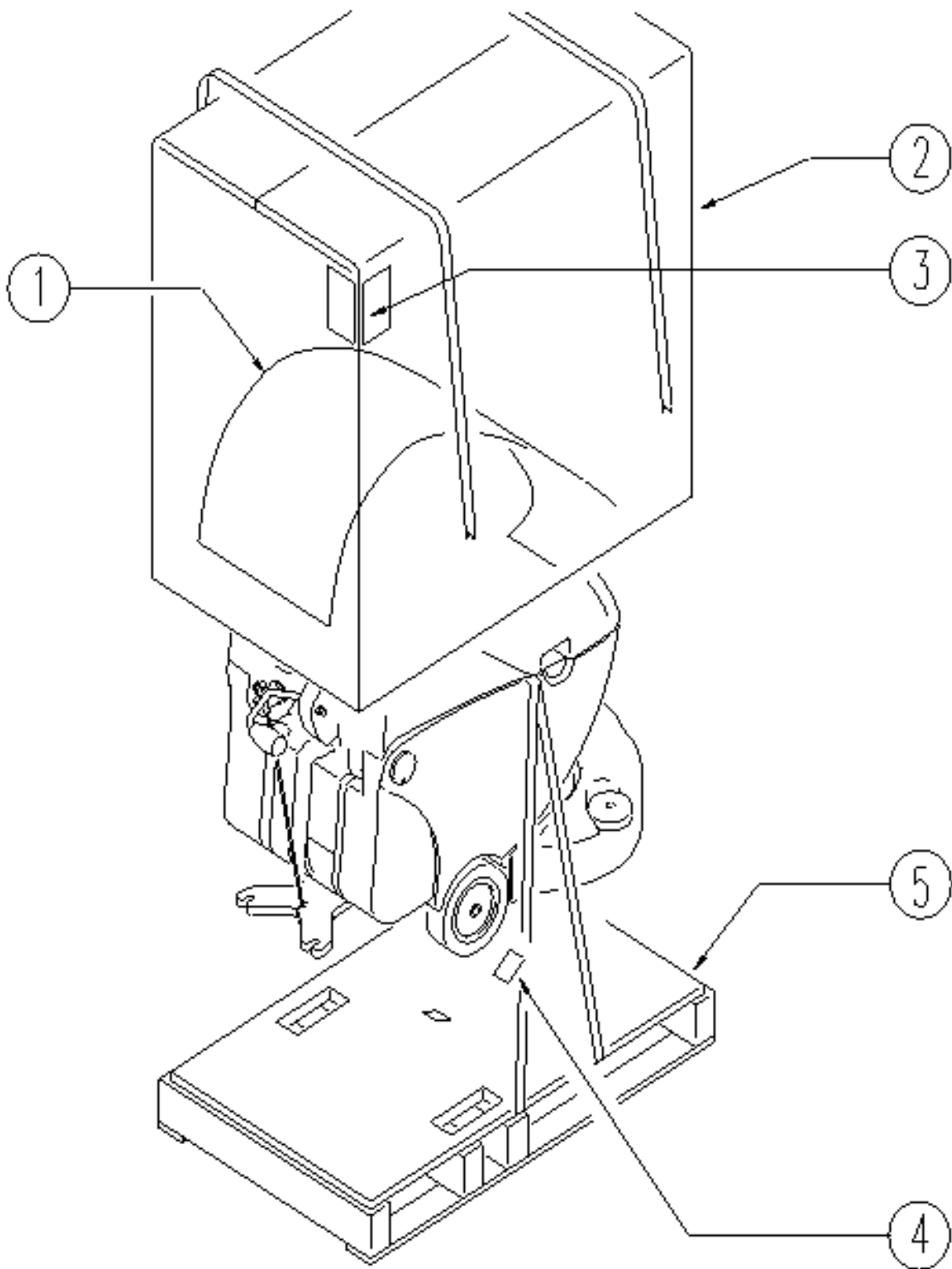


# HURRICANE 600 XTT

AUTOMATIC SCRUBBER

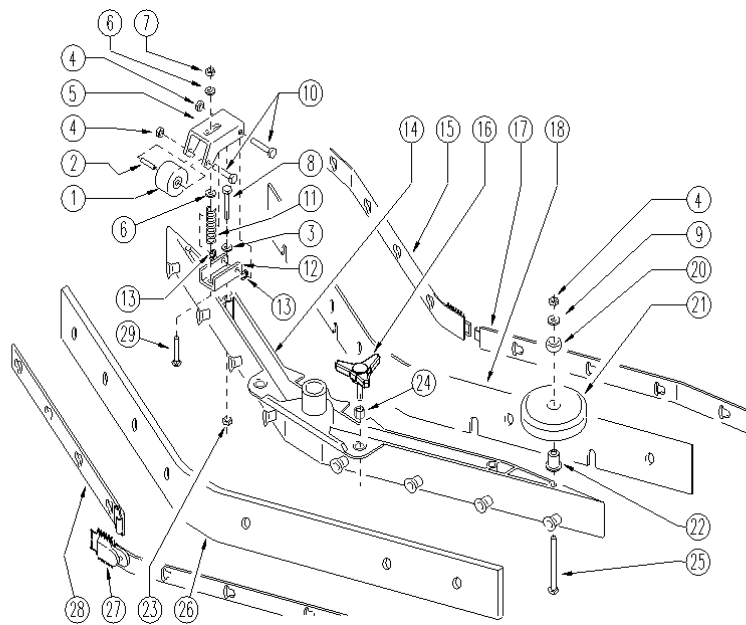
Edition: May, 2006  
Code: 19322

## Packing



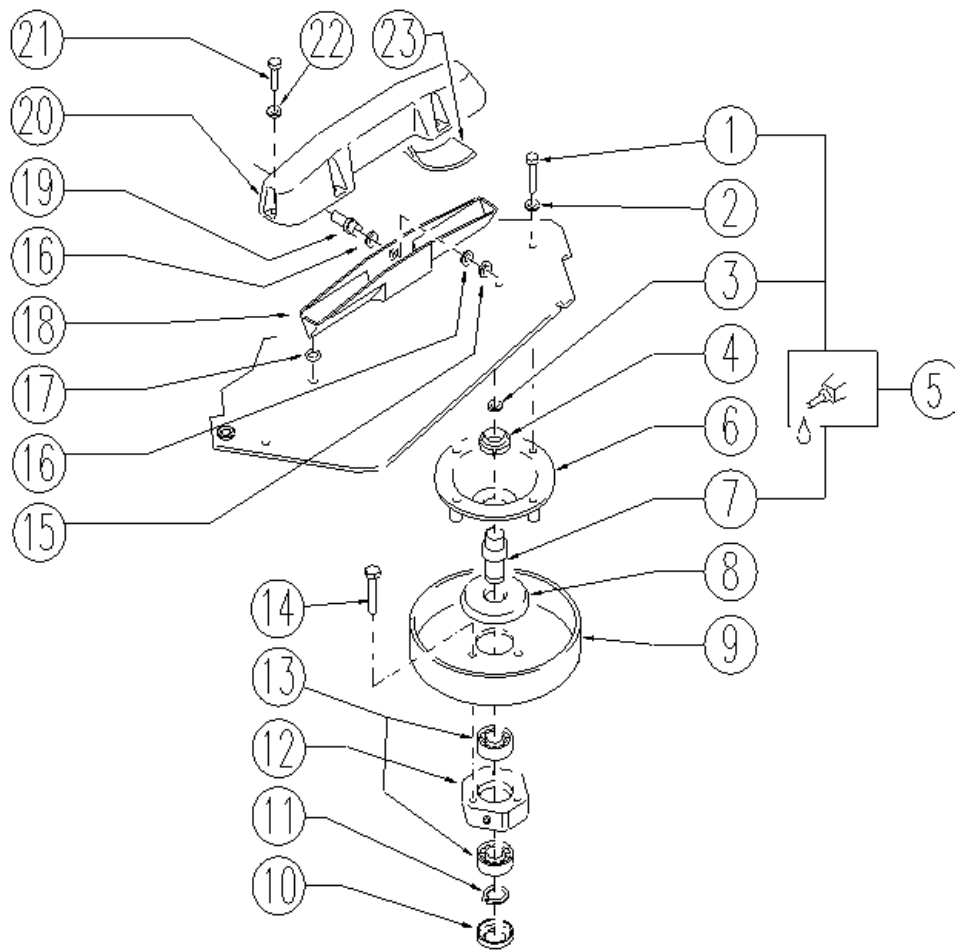
Ref.	Part N.	Description	Quantity	Validity From	Validity To
1	MISC00006	SACK 1690X1400 POLIET.70MY	1	10/2002	
2	MICT00145	CARTON IMBALLO NEUTRO	1	10/2002	
3	ETET00959	LABEL IMBALLAGGIO	2		
4	MICT00118	CARTON PER RUOTE 450/530	4	10/2002	
5	MIBA00074	PALLET	1	10/2002	

# Squeegee



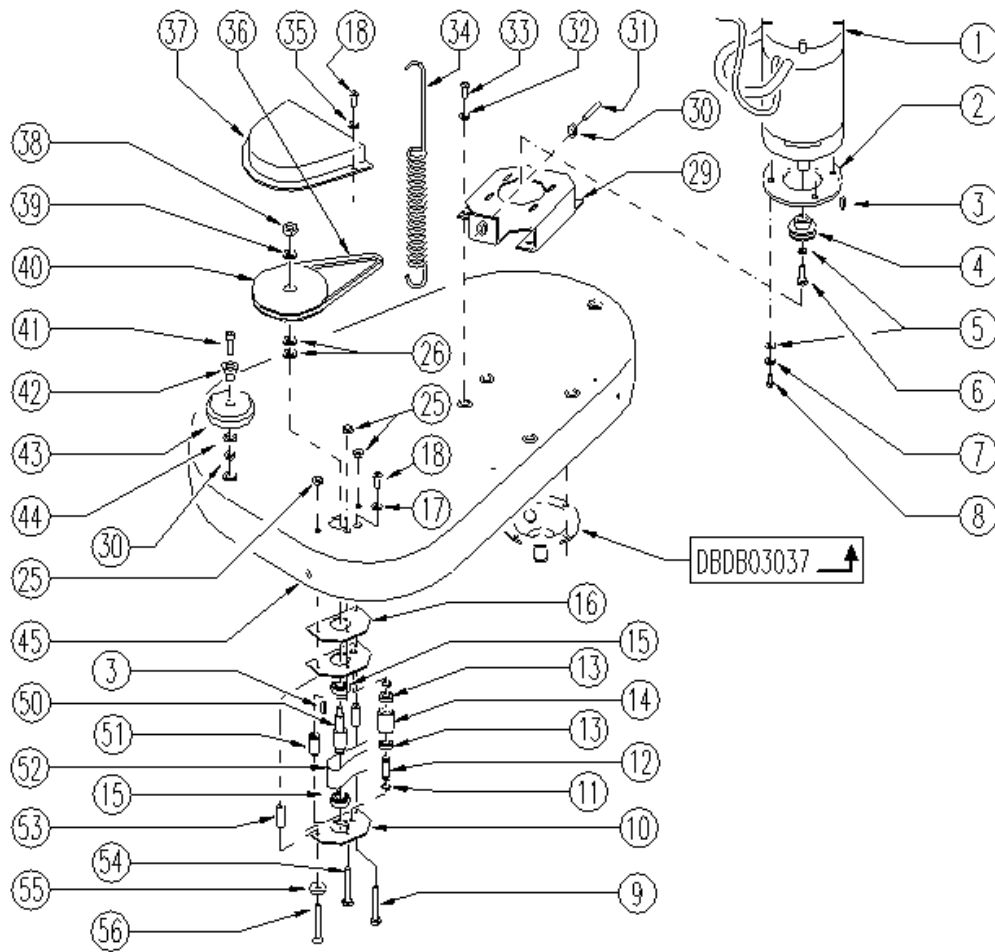
Ref.	Part N.	Description	Quantity	Validity From	Validity To
1	RTRT49413	WHEEL D. 60-D.15 X36 NYL.	2	03/2004	
2	LAFN04041	SPACER D6/15	2	03/2004	
3	VTRS00245	WASHER D.6 UNI 6592 INOX	12	03/2004	05/2006
3	VTRS15144	WASHER D. 6 INX GRW UNI 1751	4	05/2006	
4	VTDD01694	NUT M 6 INX	4	03/2004	
5	LAFN05559	SUPPORT RUOTINO	2	03/2004	
6	VTRS13947	WASHER D. 8 INX UNI 6592	4	03/2004	
7	VTDD01695	NUT M 8 INX	2		
8	VTVT15142	SCREW TE M 6x45 INOX	2	03/2004	
10	VTVT15143	SCREW TE 6X16 UNI5739	4	03/2004	05/2006
10	VTVT15515	SCREW TE M 6X 50 INOX A2	4	05/2006	
11	MLML49422	SPRING D.15X 45 X1	2		
12	LAFN51069	BRACKET SUPP.RUOTINO SQUEEGEE	2		
13	VTAE45707	CIRCLIP D. 6 UNI 7434 INOX	4		
14	MFVR00141	BODY SQUEEGEE PRESSOFUSO "S"	1	03/2004	
15	LAFN51045	LAMINATION BLOCCA LAMA ANTER.SX S	1	03/2004	
16	MPVR04164	HANDWHEEL M8 FILETTO PASSANTE	2	03/2004	06/2007
16	MPVR05265	KNOB 8X25	2	06/2007	
17	LAFN51044	LAMINATION BLOCCA LAMA ANTER.DX S	1	03/2004	
18	MPVR45194	RUBBER BLADE LAV. 800 ANT.	1	03/2004	
19	VTVT00655	SCREW TE M. 6-55	2		
20	MPVR49229	BUSHING SHK	2	03/2004	
21	RTRT43370	CASTER D.100 2V.	2	03/2004	
22	LAFN04100	SPACER PER RUOTINO PARACOLPI	2	03/2004	
23	VTDD15520	NUT M 6 A2 UNI 5588 INX	4	03/2004	
24	VTAE00074	CIRCLIP D8	2	03/2004	06/2007
24	VTVR00022	INSERT FILETTATO ESAGONALE M8	2	06/2007	
25	VTVT01050	SCREW TE M 8X30 INX UNI 5737	2	06/2004	06/2007
26	MPVR45195	RUBBER BLADE LAV. 800 PST.POL.	1	03/2004	
27	LAFN49284	BLADE HOLDER POSTERIORE DX (S)	1	03/2004	
28	LAFN49285	BLADE HOLDER POSTERIORE SX (S)	1	03/2004	
29	VTVT01304	SCREW M 8X 40 TTQST UNI 5731	2	05/2006	

# Head



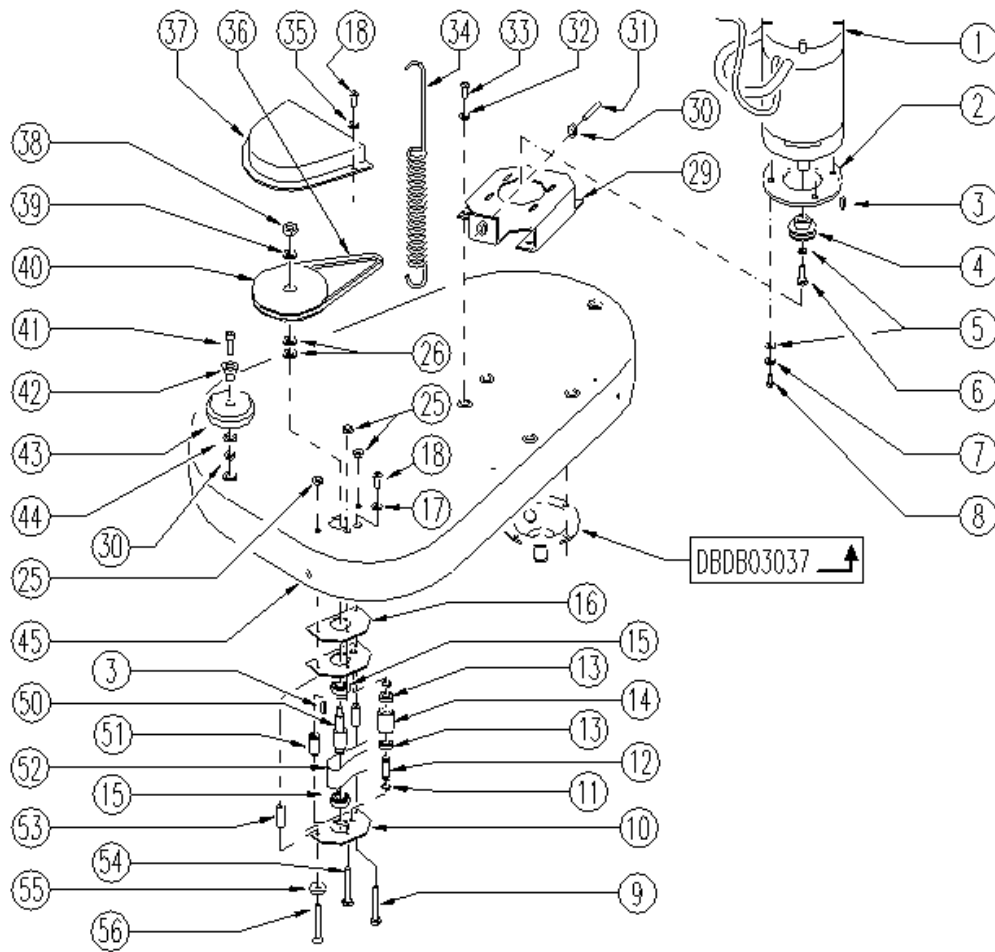
Ref.	Part N.	Description	Quantity	Validity From	Validity To
1	VTVT00643	SCREW TBEI M. 6-20	8	Feb-04	
2	VTRS00245	WASHER D.6 UNI 6592 INOX	8	Feb-04	
3	GUGO00208	GASKET ESTERNA IN GOMMA VALV.S.	2		
4	LAFN36319	RING NUT M25X1.5-10.3	2	Oct-02	
5	CNPR00365	GLUE LOCTITE 406	1		
6	LAFN05847	FLANGE	2	Feb-04	
7	LAFN04161	PIN ESAGONO	2	Feb-04	
8	LAFN47391	PROTECTION LAV. RHN	2	Feb-04	
9	MTPL34057	PULLEY E/B450	2	Oct-02	
10	GUGO00280	OIL SEAL	2	Feb-04	
11	VTAE00052	RING ARRESTO ALBERO	2		
12	PMVR00882	HEXAGON AGGANCIO SPAZZOLE	2	Feb-04	
13	CUVR31111	BALL BEARING 6005-2RS1	4	Dec-03	
14	VTVT00690	SCREW TCEI M. 5-16	6	Oct-02	
15	VTDD00133	NUT 3/8" OTTONE LUCIDO	1	Feb-04	
16	GUGO00164	GASKET	2	Feb-04	
17	VTRS00270	WASHER	2		
18	MPVR04118	DISTRIBUTOR SOLUZIONE	1	Feb-04	
19	RCVR00526	CONNECTOR DIRITTO	1	Feb-04	
20	MPVR04117	COVER DISTRIBUTORE	1	Feb-04	
21	VTVT00855	SCREW TSP+ M4X15	4	Feb-04	
22	VTRS00550	WASHER SOTTOT.D4 X VITE TSP	4	Feb-04	
23	GUGO00271	GASKET DISTRIBUT.ACQUA	1	Feb-04	

# Head



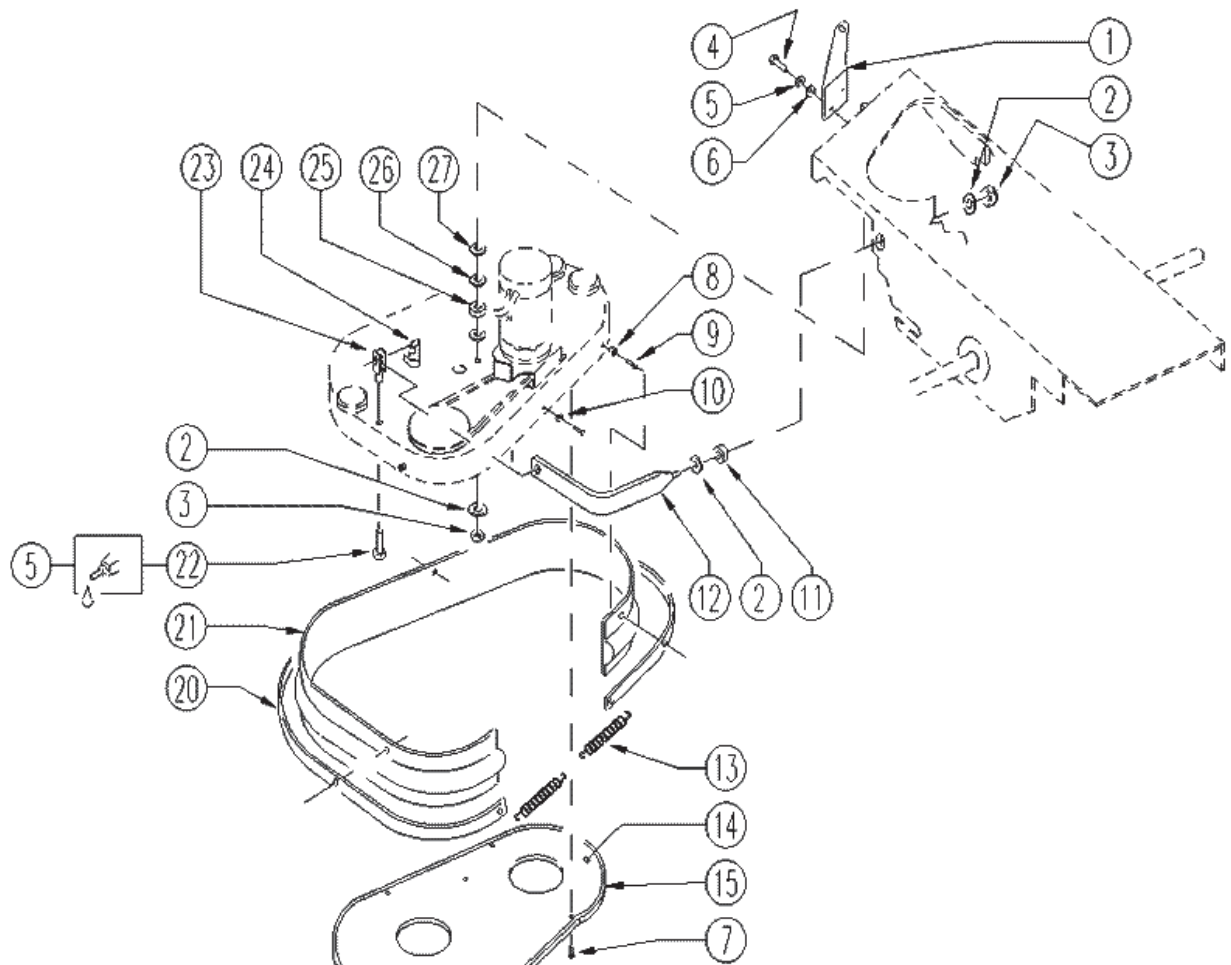
Ref.	Part N.	Description	Quantity	Validity From	Validity To
1	MOCC36311	BRUSH MOTOR DW225 600 W 24V	1	Oct-02	
2	LAFN04923	FLANGE DISTANZIALE MOTORE	1	Oct-02	
3	VTVR13165	KEY 5X5X20	2	Feb-04	
4	MTPL00151	PULLEY	1	Apr-03	
5	VTRS13945	WASHER D. 6X18 INX UNI 6593	5	Oct-02	
6	VTVT15143	SCREW TE 6X16 UNI5739	1	Oct-02	
7	VTRS00246	WASHER D. 6	4	Oct-02	
8	VTVT13939	SCREW TE 6X20 UNI5739 INX	4	Oct-02	
9	VTVT17342	SCREW TE M 6X 60 UNI 5739 INX	1	Feb-04	
10	LAFN05578	PLATE GRUPPO RINVIO	2	Feb-04	
11	VTAE00051	CIRCLIP X ALBERO D. 12 U7435 INX	2	Feb-04	
12	LAFN31110	PLUG LAV. B 450	1	Feb-04	
13	CUVR00085	BEARING 6001 2RSH	2		
14	MTPL31109	PULLEY LAVAM.	1	Feb-04	
15	CUVR00102	BEARING 6203-2RS1H	2	Feb-04	
16	GUGO00249	GASKET	1	Feb-04	
17	VTRS00251	WASHER 4-16 INOX A2	1	Feb-04	
18	VTVT21887	SCREW TCB-TC 4X10 8112	3	Feb-04	
25	VTDD01694	NUT M 6 INX	3	Feb-04	
26	VTRS00270	WASHER	2		
29	LAFN05659	MOTOR SUPPORT SPAZZOLE SK60	1	Oct-02	
30	VTDD15521	NUT M 8 INX A2 UNI 5588	4	Oct-02	

# Head



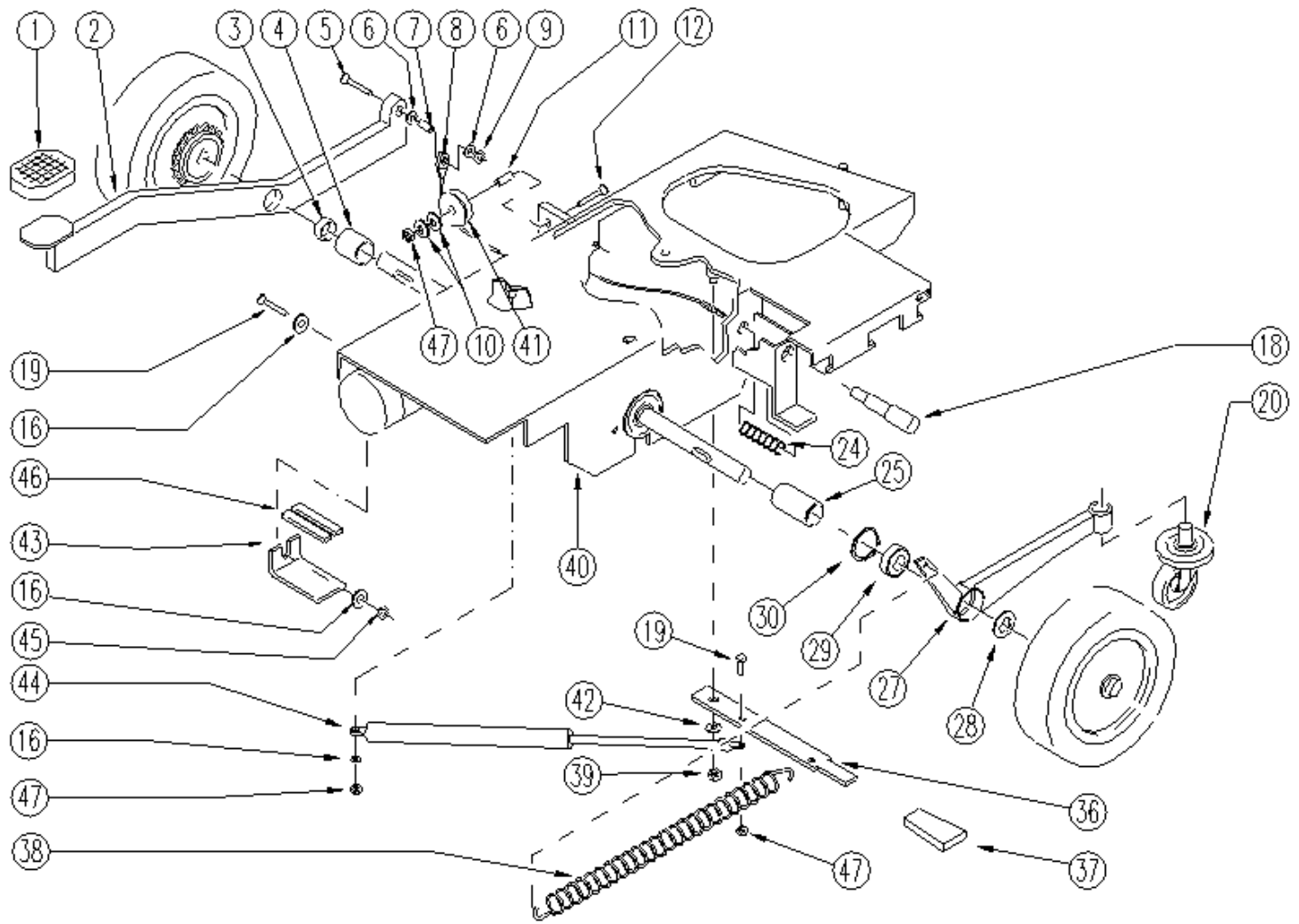
31	VTVT00897	GRUB SCREW M 8/35	1	Oct-02
32	VTRS15144	WASHER D. 6 INX GRW UNI 1751	4	Oct-02
33	VTVT00643	SCREW TBEI M. 6-20	4	Oct-02
34	MLML48789	SPRING TR RHN	1	Oct-02
35	VTRS00515	WASHER D. 4 INX	2	Feb-04
36	MTCG47764	BELT SPZ 612	1	Oct-02
37	MPVR04130	PROTECTION PULEGGIA TESTATA	1	Feb-04
38	VTDD01695	NUT M 8 INX	1	Oct-02
39	VTRS00294	WASHER D. 8	1	Oct-02
40	MTPL00150	PULLEY TIPO "Z" DP 100	1	Oct-02
41	VTVT63038	SCREW TCEI M8X45 BR	3	Oct-02
42	LAFN03915	BUSHING NUOVO RUOTINO STRONG	3	Oct-02
43	RTRT43370	CASTER D.100 2V.	3	Oct-02
44	VTRS13946	WASHER D. 8 X24 INX UNI 6593	3	Oct-02
45	LAFN05838	HEAD	1	Feb-04
50	LAFN04162	SHAFT RIDUZIONE	1	Feb-04
51	LAFN04056	SPACER CUSCINETTI SK57/60	1	Feb-04
52	MTCG48134	BELT L.1196 H25 SP.1.7	1	Feb-04
53	LAFN35750	SPACER LAV. E/B 450	2	Feb-04
54	VTVT00655	SCREW TE M. 6-55	1	Feb-04
55	LAFN04163	WASHER	1	Feb-04
56	VTVT00869	SCREW TSPEI M.6-60 INOX A2	1	Feb-04

# Head



Ref.	Part N.	Description	Quantity	Validity From	Validity To
1	LAFN05896	BRACKET AGGANCIO MOLLA	1	Feb-04	
2	VTRS13947	WASHER D. 8 INX UNI 6592	3	Oct-02	
3	VTDD01695	NUT M 8 INX	2	Oct-02	
4	VTVT13939	SCREW TE 6X20 UNI5739 INX	2	Feb-04	
5	VTRS15144	WASHER D. 6 INX GRW UNI 1751	2	Feb-04	
6	VTRS00245	WASHER D.6 UNI 6592 INOX	2	Feb-04	
7	VTVT21887	SCREW TCB-TC 4X10 8112	7	Apr-03	
8	LAFN03901	BUSHING X ATTACCO BASAMENTO	3	Oct-02	
9	VTVT00852	SCREW	4	Oct-02	
10	VTDD07727	NUT M 5 INOX	1	Oct-02	
11	RCDS35584	BUSHING D. 8X12X 4.3	1	Oct-02	
12	LAFN05670	LEVER AGGANCIO TESTATA SK60	1	Oct-02	
13	MLML49646	SPRING D. 12.5 X50 X1.5	2	Oct-02	
14	LAFN05837	BULKWARD	1	Feb-04	
15	GUGO00300	GASKET PARATIA	1	Feb-04	
20	LAFN46991	HOSE CLIP FLAP SHK.57	1	Oct-02	
21	MPVR02775	FLAP	1	Oct-02	
22	VTVT13938	SCREW TE 8X20 UNI5739 INX	1	Oct-02	
23	CMCV35596	FORK M 8 X42 BT	1	Oct-02	
24	VTVR00270	CLIP M8 PER FORCELLA	1	Oct-02	
25	MPVR36303	RUBBER D. 11-25 L=10	1	Oct-02	
26	VTRS43258	WASHER D.13X24 X2.5 NYL UNI6592	2	Oct-02	
27	VTRS15523	WASHER D.10 X21 INOX UNI 6592	1	Oct-02	

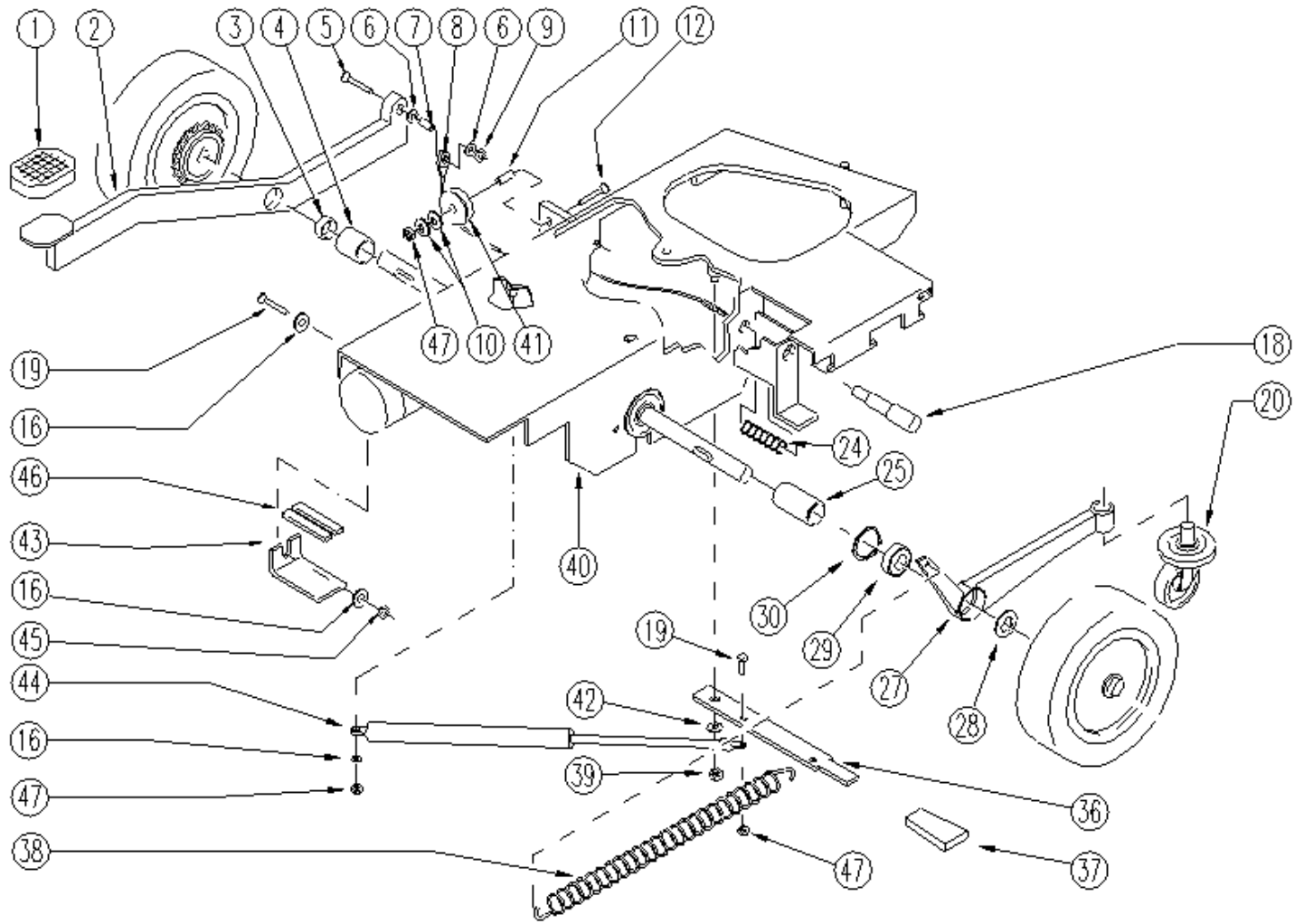
## Frame



Ref.	Part N.	Description	Quantity	Validity From	Validity To
1	MPVR04139	RUBBER PEDALINO	1	Oct-02	
2	LAFN05574	LEVER SGANCIO RUOTINO	1	Oct-02	
3	CUVR00129	BEARING	1	Oct-02	
4	LAFN04034	SPACER H=44 D.I.=17 D.E.=20 AISI	1	Oct-02	
5	VTVT00641	SCREW	1	Oct-02	
6	VTRS00516	WASHER D. 5 INX	2	Oct-02	
7	LAFN04067	BUSHING PER CAVETTO	1	Oct-02	
8	CMCV45811	CORD SH 57	1	Oct-02	
9	VTDD01693	NUT M 5 INX	1	Oct-02	
10	VTRS00274	WASHER NYLON 66 D.8,4-17-2 UNI	3	Oct-02	
11	LAFN03742	SPACER SILENZIATORE	1	Oct-02	
12	VTVT25909	SCREW M 6X 25 TSPEI UNI 5933	1	Oct-02	
16	VTRS00245	WASHER D.6 UNI 6592 INOX	2	Oct-02	
18	LAFN46995	PIN SHK.57	1	Oct-02	
19	VTVT15143	SCREW TE 6X16 UNI5739	2	Oct-02	
20	RTRT00297	WHEEL D.80X30 C/SUPP.M12 120KG	1	Oct-02	
24	MLML00223	SPRING SGANCIO RUOTINO	1	Oct-02	
25	LAFN04035	SPACER H=55 D.I.=17 D.E.=20 AISI	1	Oct-02	
27	LAFN05571	SUPPORT RUOTINO	1	Oct-02	
28	VTRS00270	WASHER	2		
29	CUVR00104	BEARING SKF 6003- 2RSH	1	Oct-02	

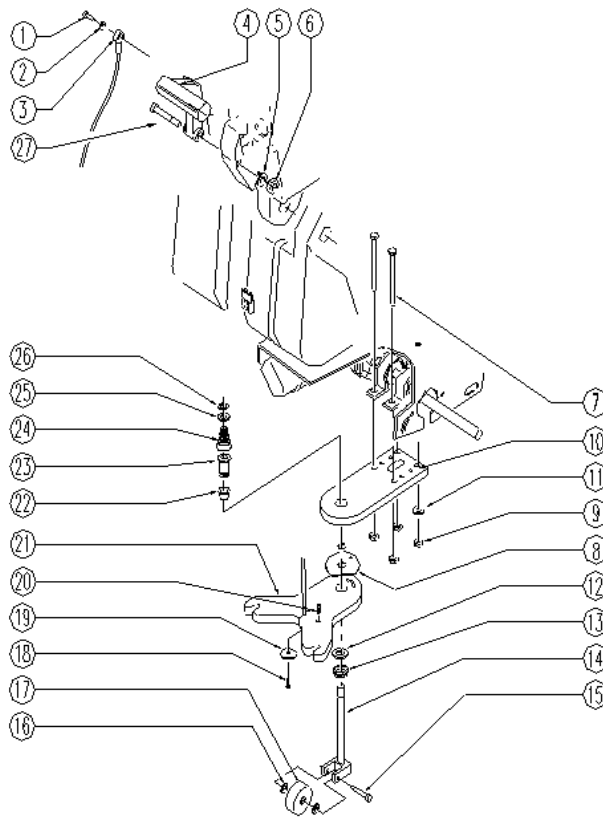


# Frame



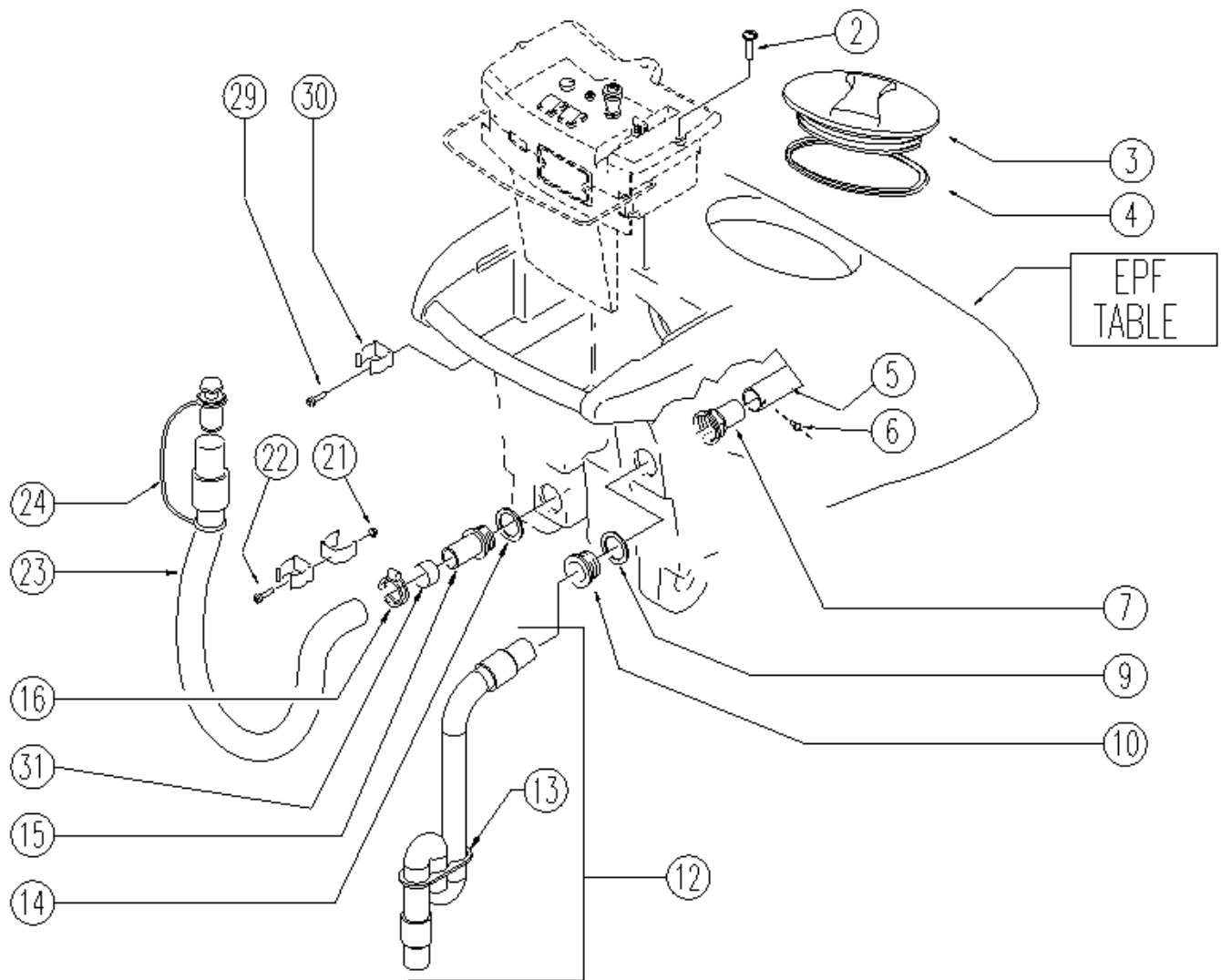
30	VTAE17002	CIRCLIP D. 35 UNI 7437	1	Oct-02
36	LAFN05573	LEVER PRESSIONE TESTATA	1	Oct-02
37	MPVR04159	KNOB COMANDO TRAZIONE	1	Oct-02
38	MLML00225	SPRING	1	Oct-02
39	VTDD01695	NUT M 8 INX	1	Oct-02
40	LAFN05839	FRAME	1	Feb-04
41	MPVR02857	PULLEY NYLON D.30	1	Oct-02
42	VTRS13947	WASHER D. 8 INX UNI 6592	1	Oct-02
43	LAFN04706	SUPPORT MOTORE 450/530	1	Oct-02
44	MLML00217	SPRING A GAS	1	Oct-02
45	VTDD15518	NUT M 6 INX	1	Oct-02
46	GUGO00257	GASKET MOUSSE	2	Oct-02
47	VTDD00157	NUT M. 6 DIN 985 ZN	3	

# Frame



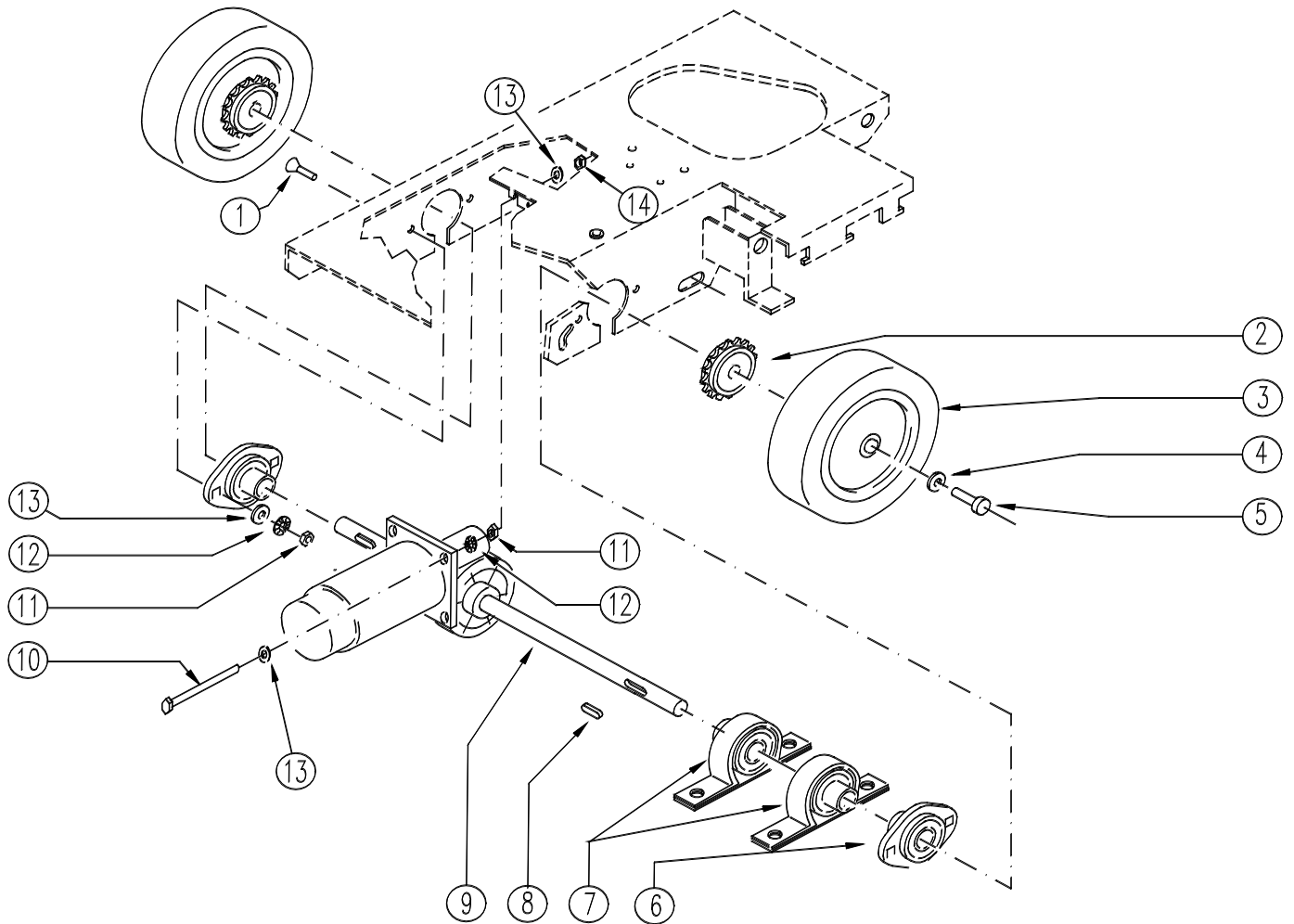
Ref.	Part N.	Description	Quantity	Validity From	Validity To
1	VTVT00800	SCREW TC 4X12 ZN	1	May-03	
2	VTRS00251	WASHER 4-16 INOX A2	1	May-03	
3	CMCV00304	CABLE SOLLEVAMENTO	1	Sep-03	
4	MPVR49942	LEVER SHK PP	1	May-03	
5	VTRS00236	WASHER D.10 UNI 6592 ZINC. PIANA	1	May-03	
6	VTDD00042	NUT AUT.M10 UNI7474	1	Oct-02	
7	VTVT01539	SCREW M 8X 25 UNI 5739	4	Oct-02	
8	VTRS00363	WASHER D.6 INOX A2	1	Mar-04	
9	VTDD01695	NUT M 8 INX	4	May-03	
10	LAFN51070	ARM SQUEEGEE	1	Mar-04	
11	VTRS00230	WASHER D. 8	4	Oct-02	
12	VTRS00259	RING RASAMENTO	1	Apr-04	
13	LAFN44349	RING NUT M20X1 ABL	1		
14	LAFN05702	SUPPORT RUOTINO ANTIRIBALTAMENTO	1	Oct-02	
15	LAFN04165	PIN RUOTINO ANTIRIB. INOX	1	Apr-03	
16	VTRS13946	WASHER D. 8 X24 INX UNI 6593	2	Oct-02	
17	RTRT00283	SMALL WHEEL GR.HS	1	Oct-02	
18	VTVT00813	SCREW M 4X 8 TCB-TC UNI 8112	1	Oct-02	
19	VTRS00291	WASHER D. 5 X20 ZC UNI 6593	1	Oct-02	
20	LAFN06820	RING NUT M20X1 ABL	1	Jul-04	
21	LAFN05555	PLATE	1	Apr-04	
22	CUVR44348	BUSHING CB 85 2010 31T	1	Mar-04	
23	LAFN51071	PIN FULCRO PIASTRA	1	Mar-04	
24	MLML44531	SPRING D.16 -33 X50 RT.	1	Oct-02	
25	VTRS00312	WASHER D.13 x24 INOX	1	Oct-02	
26	VTAE00051	CIRCLIP X ALBERO D. 12 U7435 INX	1	Oct-02	
27	VTVT00882	SCREW TCEI BASSA M10x80 8.8 ZN	1	May-03	

# Tank



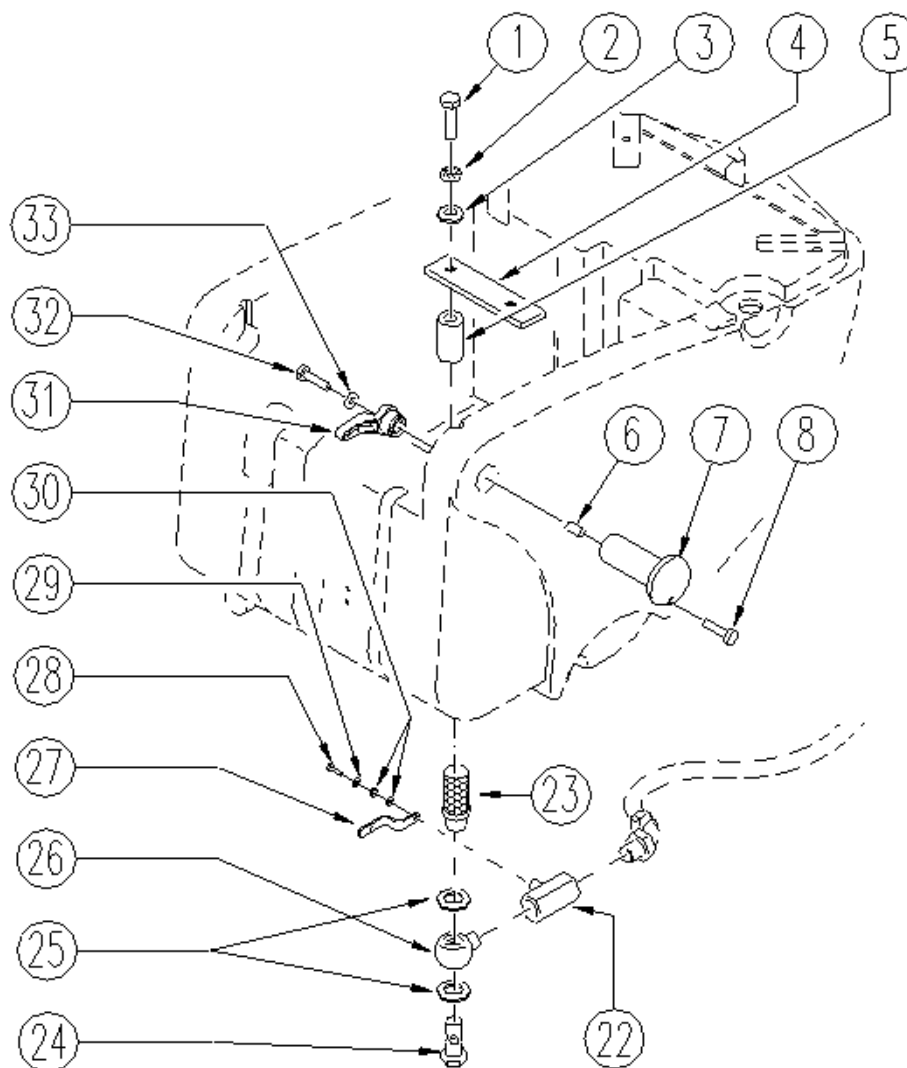
Ref.	Part N.	Description	Quantity	Validity From	Validity To
2	VTVT00858	SCREW	2		
3	MPVR04051	TANK CAP	1		
4	GUGO00263	GASKET CIRCOLARE TAPPO	1		
5	MPVR02873	TUBE INT.SERBAT.RECUP.	1		
6	VTVT00881	SCREW TC+ M4x6 TRILOBATA INOX	1		
7	RCVR00504	CONNECTOR DRITTO FEMM.	1		
9	GUGO00216	GASKET ACQUA SPORCA	1		
10	RCVR00508	PIPE UNION DI SCARICO	1		
12	PMVR01043	TUBE ASPIRAZIONE	1		
13	MPVR02730	PLATE SIFONE	1		
14	GUGO00226	GASKET 1"1/4	1		
15	RCVR00505	CONNECTOR DRITTO	1		
16	FSVR43136	CLAMP D. 35-40 DF.	1		
21	VTDD00147	NUT M 4 INX U.5588	2		
22	VTVT21096	SCREW TE M 4X 10 INX	2		
23	TBFX49465	TUBE FLEX D.34 CPL.SHK SC.	1		
24	MPVR05064	CAP COMPLETO	1		
29	VTVT48694	SCREW TCB TC 5 X12 UNI 9707 TZ	2		
30	MPVR46988	CLIP LAV. SHK	3		
31	MPVR02765	PROTECTION INNESTO FISSAGGIO	1		

# Traction



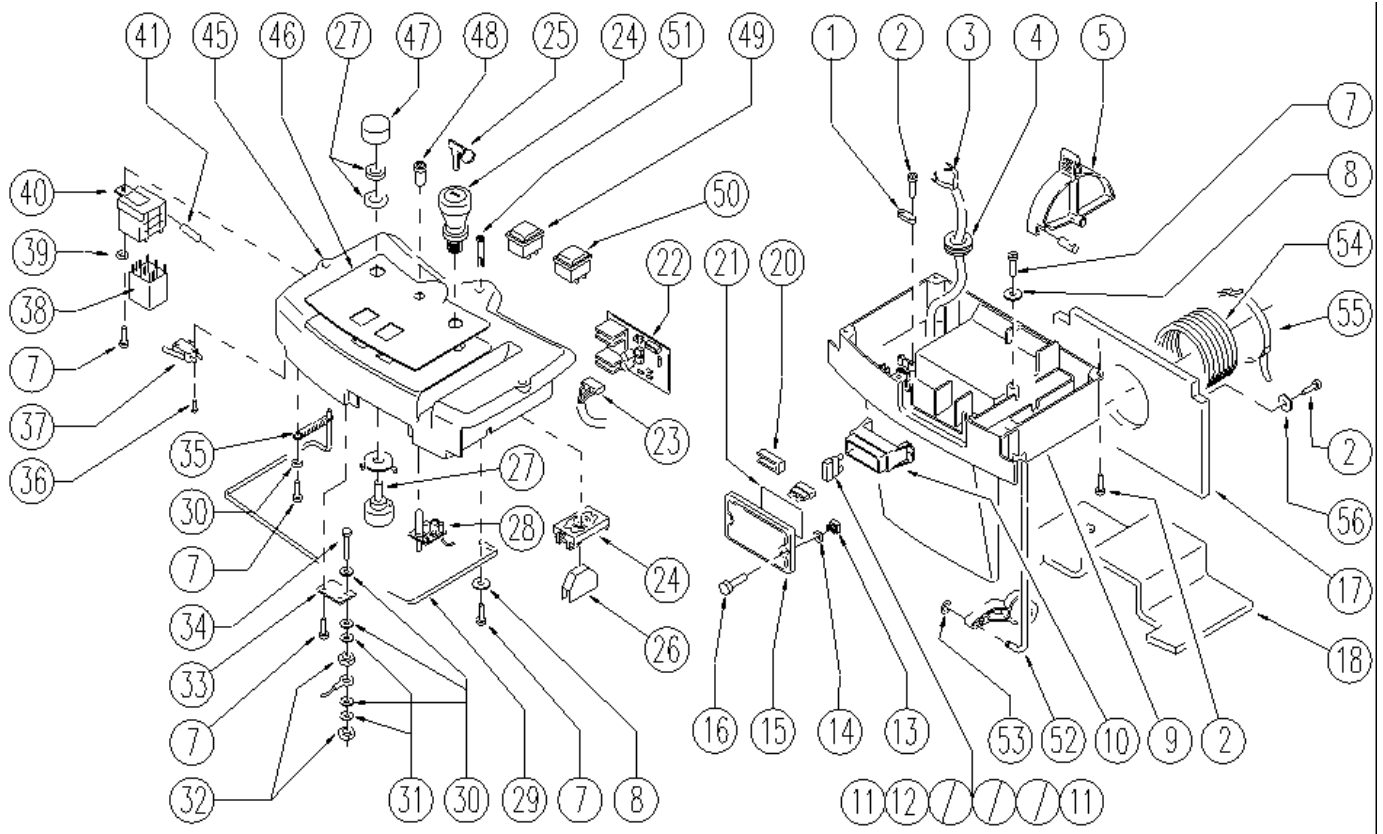
Ref.	Part N.	Description	Quantity	Validity From	Validity To
1	3FLSL04339	SCREW	4	10/2002	
2	3PMVR00873	BEARING	2	04/2003	
3	3RTRT00300	WHEEL	2	10/2002	
4	3VTRS13946	WASHER FLAT D8-24	2	10/2002	
5	3VTVT00666	SCREW	2	10/2002	
6	3CUVR31139	BEARING PFT 40/17	2	10/2002	
7	3CUVR49833	SUPPORT	2	10/2002	
8	3VTVR31143	TANG KEY	2	10/2002	
9	3MOCC46994	CPL TRACTION MOTOR	1	10/2002	
10	3VTVT00732	SCREW	1	10/2002	
11	3VTDD15520	NUT M.6 STAINLESS	5	10/2002	
12	3VTRS00246	CHAM WASHER	5	10/2002	
13	3VTRS00245	WASHER D.6 STAINLESS	7	10/2002	
14	3FLSL05041	NUT	1	10/2002	

# Water Tank



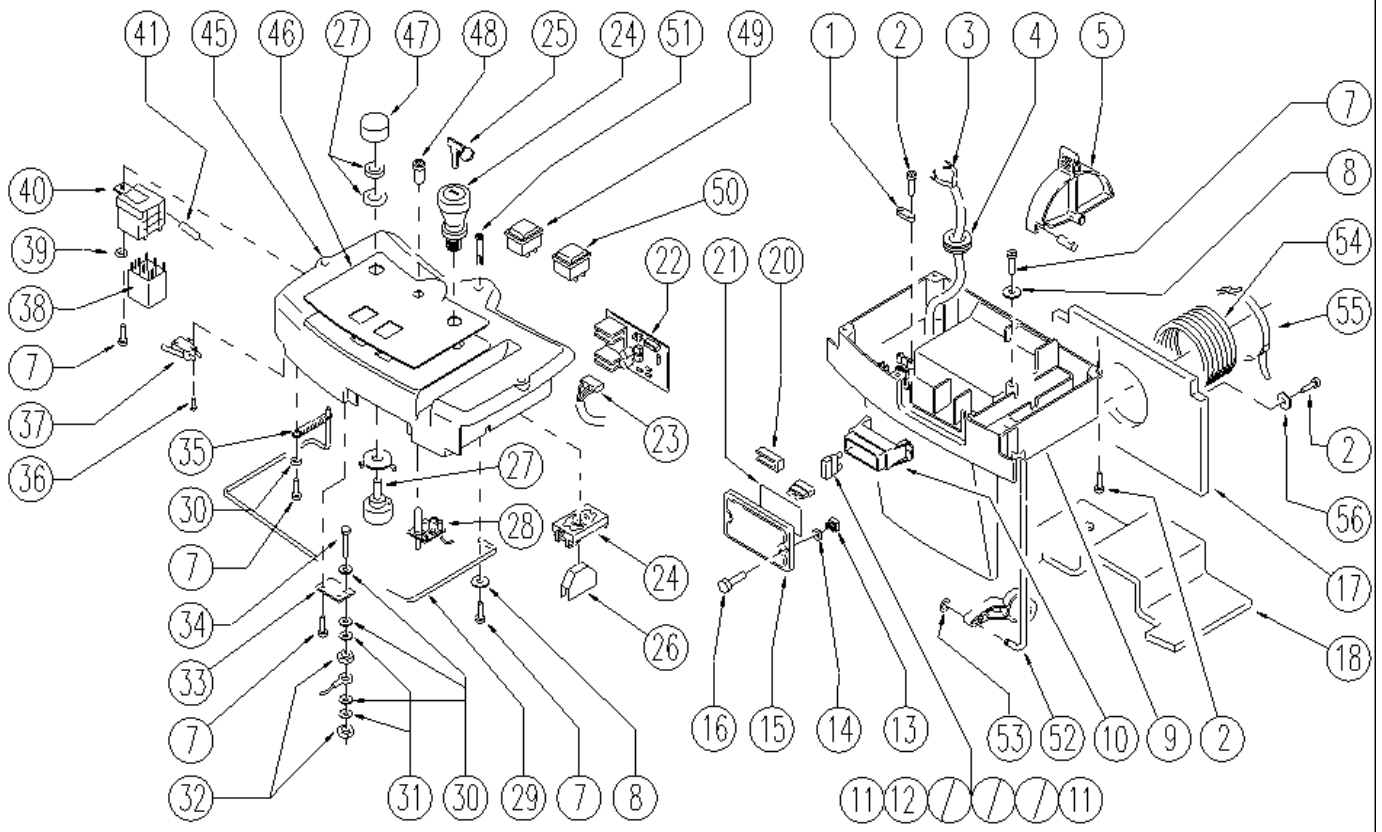
Ref.	Part N.	Description	Quantity	Validity From	Validity To
1	VTVT15917	SCREW TE M 8X50 INOX A2 UNI	2	10/2002	
2	VTRS00229	WASHER D.8	2	10/2002	
3	VTRS00230	WASHER D. 8	2	10/2002	
4	LAFN05630	BRACKET BLOCCA SERBATOIO	1	10/2002	
5	MPVR02884	SPACER NYLON BIANCO	2	10/2002	
6	VTVR48693	INSERT M6 D.9	1	05/2003	
7	MPVR48695	PIN SHK.BK	2	10/2002	
8	VTVT48694	SCREW TCB TC 5 X12 UNI 9707 TZ	2	04/2003	
22	RCGR00065	TAP F/F 1/2"	1	10/2002	
23	FTAC00036	FILTER IN RETE	1	10/2002	
24	RCDS49623	SCREW G 1/2 L=41.5	1	10/2002	
25	GUVR00213	WASHER GOMMA	2	10/2002	
26	RCDS49622	CONNECTOR OCC 1/2 - 1/2M	1	10/2002	
27	LAFN47895	LEVER SHK-4	1	10/2002	
28	VTVT00834	SCREW M 3X 6 TCB-TC IX U.7687	1	10/2002	
29	VTRS00251	WASHER 4-16 INOX A2	1	10/2002	
30	VTRS13947	WASHER D. 8 INX UNI 6592	2	10/2002	
31	MPVR49471	LEVER SHK	1	10/2002	
32	VTVT15143	SCREW TE 6X16 UNI5739	1	10/2002	
33	VTRS00239	WASHER D.6-18	1	10/2002	

## Control Board



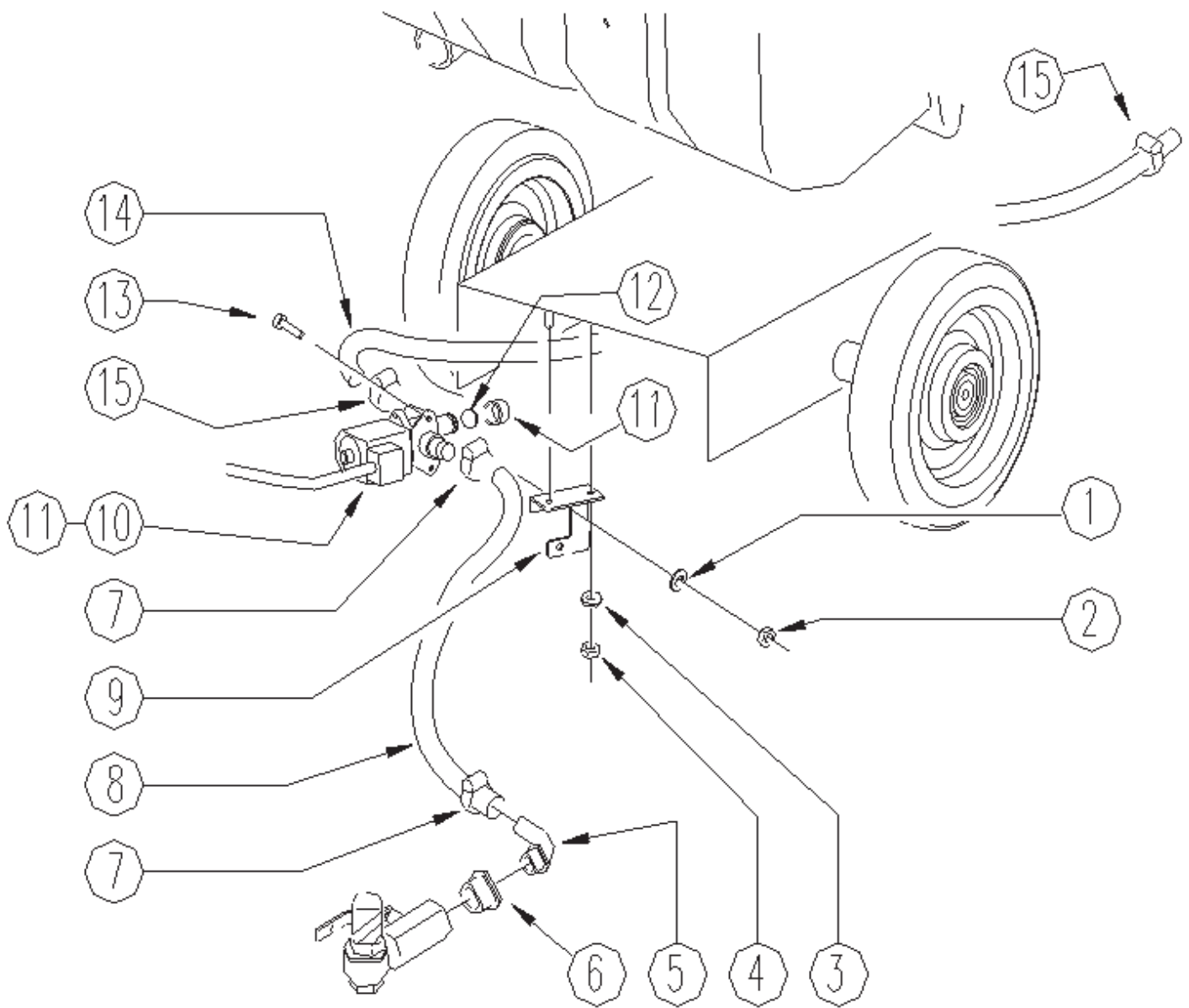
Ref.	Part N.	Description	Quantity	Validity From	Validity To
1	LAFN05201	CABLE CLAMPING BLOCCACAVO	1	10/2002	
2	VTVT28553	SCREW TCB-TC 3.5X16	8	07/2003	
3	MECB00772	WIRING PANNELLO	1	11/2002	11/2003
4	MEVR01331	FAIR-LEAD PVC	1	10/2002	
5	MPVR03845	LEVER REGOLAZ.	1	10/2002	
6	LAFN05103	ARTICULATION SUPERIORE	1	10/2002	
7	VTVT07859	SCREW TCB-TC 3.5X13 UNI6954	6	07/2003	
8	VTRS13750	WASHER D. 5X14 INX	2		
9	MPVR03844	PANEL COMANDI	1	11/2003	
10	MEVR01386	FUSE CARRIER LAMA 6 POSTI	1		
11	MEVR01136	FUSE 30A	6	07/2003	
12	MEVR01380	FUSE A LAMA	2	11/2002	
13	VTDD00167	NUT M.6	2	10/2002	
14	GUGO00150	NUT	2	10/2002	
15	MPVR35628	COVER LAV.	1	12/2003	
16	VTVT00858	SCREW	2	10/2002	
17	ITSO00031	SOUND-PROOFING PARETE POST. PANN.COM.SK	1	11/2003	
18	ITSO00032	SOUND-PROOFING PARETE INFER.PANN.COM.SK	1	11/2003	
20	MEVR01153	FUSE FUSIBILI	1	10/2002	
21	ETET01352	LABEL FUSIBILI	1	10/2002	
22	MECE00390	GEARCASE TRAZ. 24V	1	10/2002	
23	MECI00277	CONNECTOR	1	10/2002	
24	MECI00323	BUTTON FUNGO	1		
25	CHVR00051	DIASASS.SPANNERPULSANTE FUNGO	1		
26	MECI00403	CONTACT -	2		
27	MEVR01432	POTENTIOMETER A FILO	1		

## Control Board



28	MECE30652	PCB LAV.FL.	1	
29	LAFN05089	LEVER CONSENSO SPAZZOLE/TRAZ.	1	10/2002
30	VTRS00516	WASHER D. 5 INX	6	07/2003
31	VTRS15908	WASHER D. 5 INX GRW UNI 1751	2	01/2003
32	VTDD07727	NUT M 5 INOX	2	01/2003
33	MPVR02820	SUPPORT PIASTRINA BLOCCO LEVA	1	10/2002
34	VTVT00766	SCREW TE M. 5-25	1	01/2003
35	MLML00215	SPRING LEVA CONSENSO SPAZZOLE	1	10/2002
36	VTVT00744	SCREW	2	
37	MECI00310	MICROSWITCH	1	10/2002
38	MERL45196	SWITCH RELAY F7 IN/O 12V 70A	1	10/2002
39	VTRS00501	WASHER D. 4 0.232 UNI 6592	1	10/2002
40	METT00053	BLOCK PORTA RELE'	1	10/2002
41	MECE00341	RESISTANCE 68R	1	01/2003
45	MPVR03840	PANEL COMANDI	1	10/2002
46	ETET01342	LABEL PANN.COMANDI	1	10/2002
47	MPVR36404	KNOB SPECTROL 635M.NE	1	10/2002
48	MELF00013	OIL WARN-LIGHT x SPIA SCARICA BATTERIE	1	10/2002
49	MECI00336	SWITCH BIPOL.LUMIN.	1	10/2002
50	MECI30651	SWITCH GIALLO 36V	1	10/2002
51	MPVR02940	KLIP D. 6,5 L=15	1	
52	LAFN05758	ROD SUPERIORE RUBINETTO	1	
53	VTAE00058	CIRCLIP RADIALE ALBERI D5 INOX	1	
54	TBBP00225	TUBE D 80-320 MM	1	03/2004
55	FSVR00083	CLAMP 62-82	1	
56	VTRS00291	WASHER D. 5 X20 ZC UNI 6593	2	03/2004

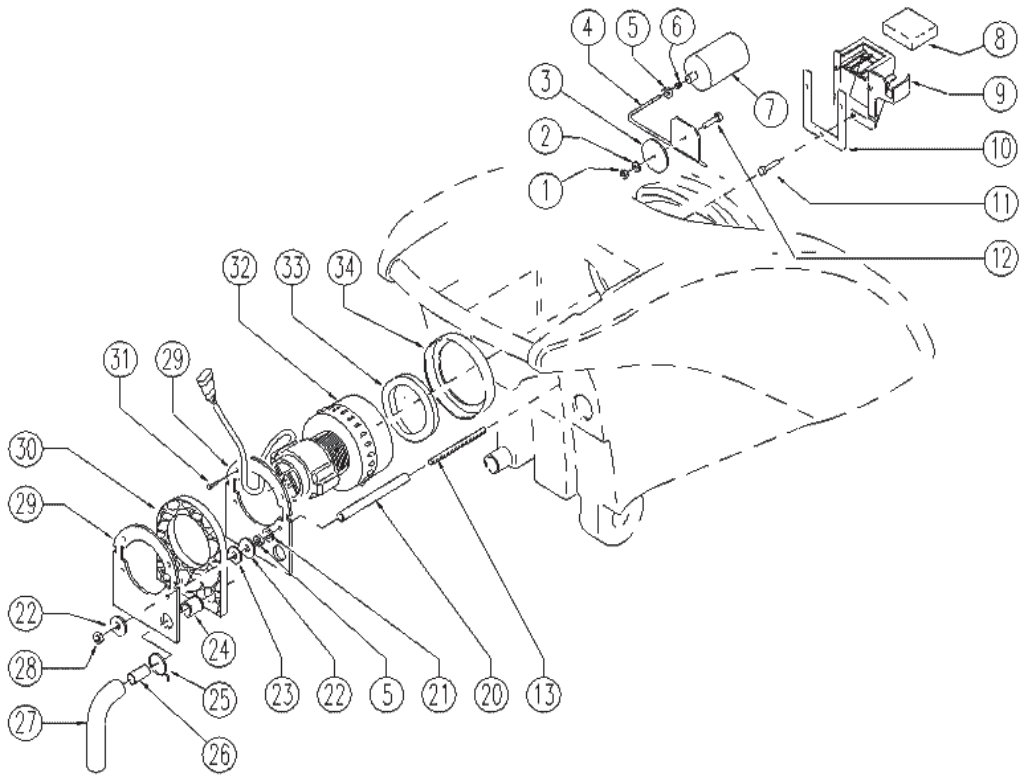
## Solenoid Valve



Ref.	Part N.	Description	Quantity	Validity From	Validity To
1	VTRS00515	WASHER D. 4 INX	2	09/2004	
2	VTDD15925	NUT M 4 INX	2	09/2004	
3	VTRS00516	WASHER D. 5 INX	2	09/2004	
4	VTDD01693	NUT M 5 INX	2	09/2004	
5	RCVR45752	HOSE FITTING "L" 3/8M - D.10 PLS.	1	09/2004	
6	RCVR43969	REDUCTION 1/2-3/8 M/F PLS.	1	09/2004	
7	FSVR00096	CLAMP 10-16 INOX	2	09/2004	
8	TBFX49101	TUBE FLEX D.34 CPL.SHK	1		
9	LAFN05658	BRACKET SUPPORTO ELETTROVALVOLA	1	09/2004	
10	MEEV00018	SOLENOID VALVE	1	09/2004	
11	RCVR00353	CAP 1/2"G X ELETTROV. ACL	1	09/2004	
11	MECB00887	WIRING KIT ELETTROVALVOLA 24V	1	09/2004	
12	GUGO00268	GASKET D.21 SP.3 GOMMA	1	09/2004	
13	VTVT00817	SCREW TE M4x12 UNI 5739 INOX	2	09/2004	
14	TBBP00320	TUBE L=550	1		
15	FSVR00091	CLAMP 14-24	2		

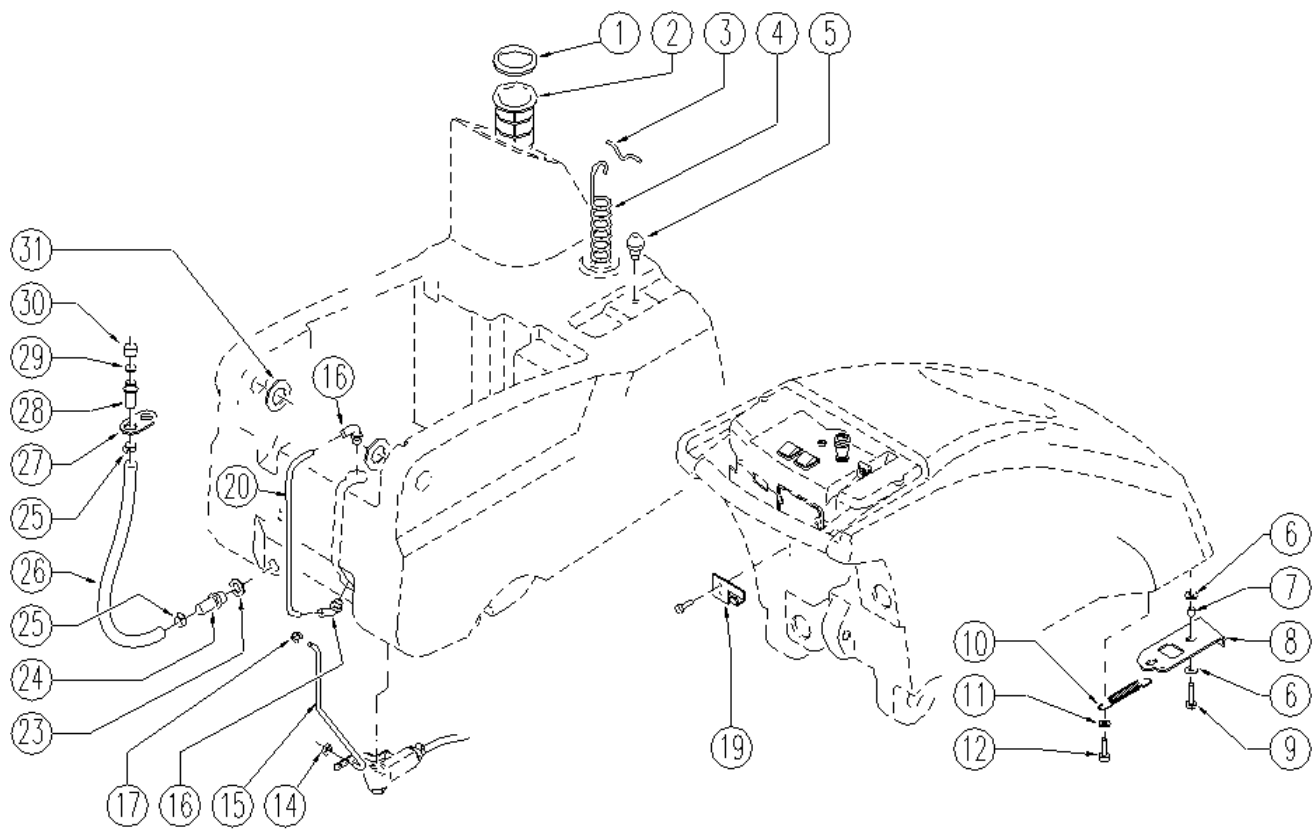


# Vacuum Motor



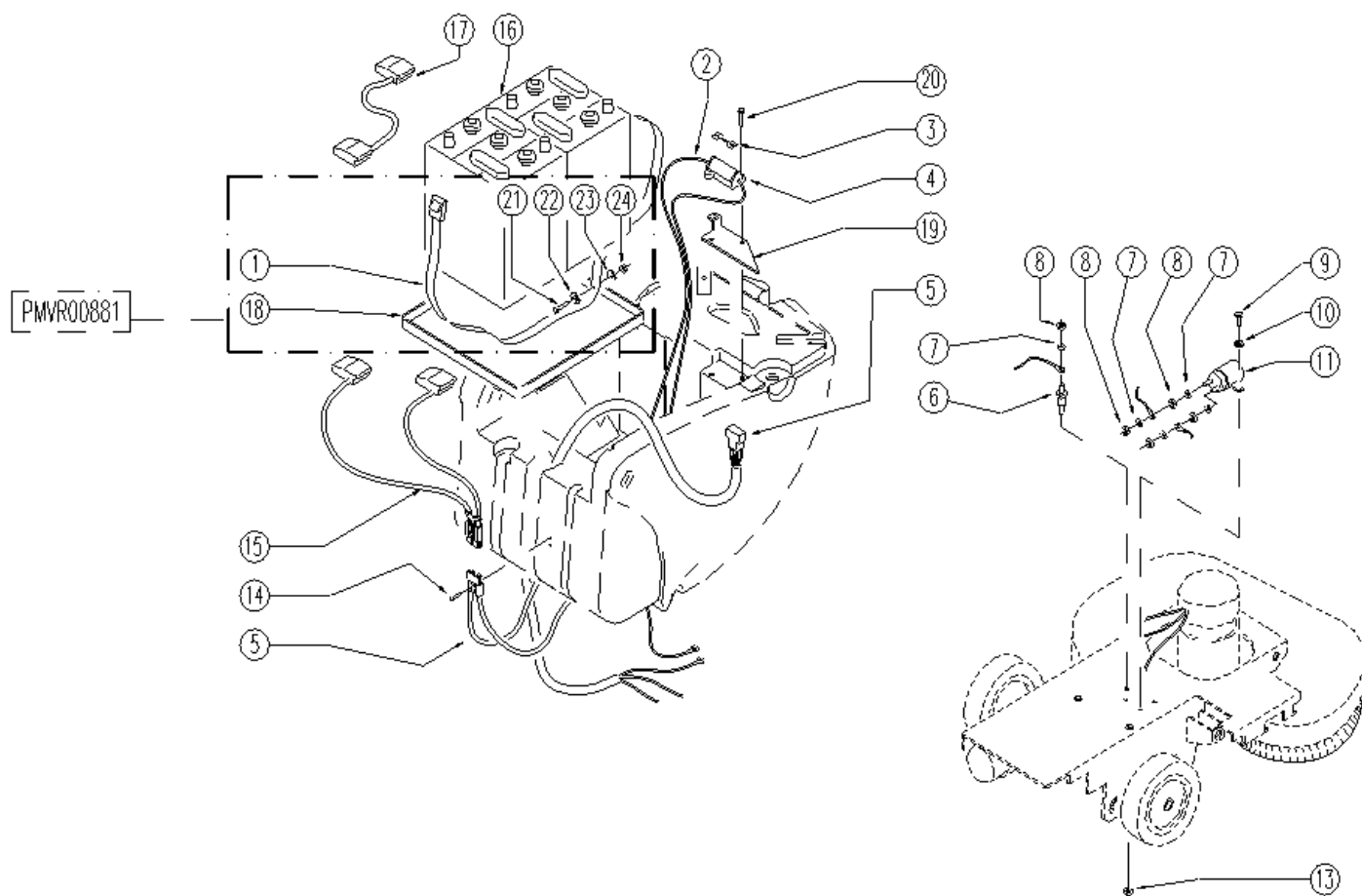
Ref.	Part N.	Description	Quantity	Validity From	Validity To
1	VTDD01693	NUT M 5 INX	1	04/2004	
2	VTRS13750	WASHER D. 5X14 INX	1	04/2004	
3	MPVR02702	CAP ASPIRAZIONE	1	04/2004	
4	LAFN05118	ROD GALLEGGIANTE	1	04/2004	
5	VTDD15520	NUT M 6 A2 UNI 5588 INX	3	04/2004	
6	VTVR00212	INSERT	1	04/2004	
7	RCGR00064	FLOATER	1	04/2004	
8	FTAC47474	FILTER SHK	1	04/2004	
9	MPVR03846	SUPPORT GALLEGGIANTE	1	04/2004	
10	GUGO00221	GASKET SUPPORTO GALLEGGIANTE	1	04/2004	
11	VTVT00835	SCREW	3	04/2004	
12	VTVT00805	SCREW TBEI M. 5-10	1	04/2004	
13	VTVT00785	ROD FILETTO	2	04/2004	
20	LAFN51078	SPACER SH	2	04/2004	
21	VTRS13945	WASHER D. 6X18 INX UNI 6593	2	04/2004	
22	VTRS16937	WASHER 6x24 INOX UNI 6593	4		
23	MPVR35582	RUBBER LAV.	2	04/2004	
24	MPVR31077	BUSHING L.450	1	04/2004	
25	FSVR00086	CLAMP	1	04/2004	
26	TBFX00217	TUBE	1		
27	ITSO00036	SOUND-PROOFING SCARICO ASP.SHARK/PANTHER	1	04/2004	
28	VTDD15518	NUT M 6 INX	2	04/2004	
29	LAFN51076	FLANGE INSONORIZZ.ASPIRATORE	2	04/2004	
30	ITSO00035	SOUND-PROOFING SHARK/PANTHER	1	04/2004	
31	VTVT00892	SCREW	4	04/2004	
32	MOCC00253	MOTOR ASPIR.BIST.24V	1		
33	GUVR48858	GASKET SRB.SHK	1	04/2004	
34	GUGO30649	GASKET LAV.DW.	1	04/2004	

# Water Pipe



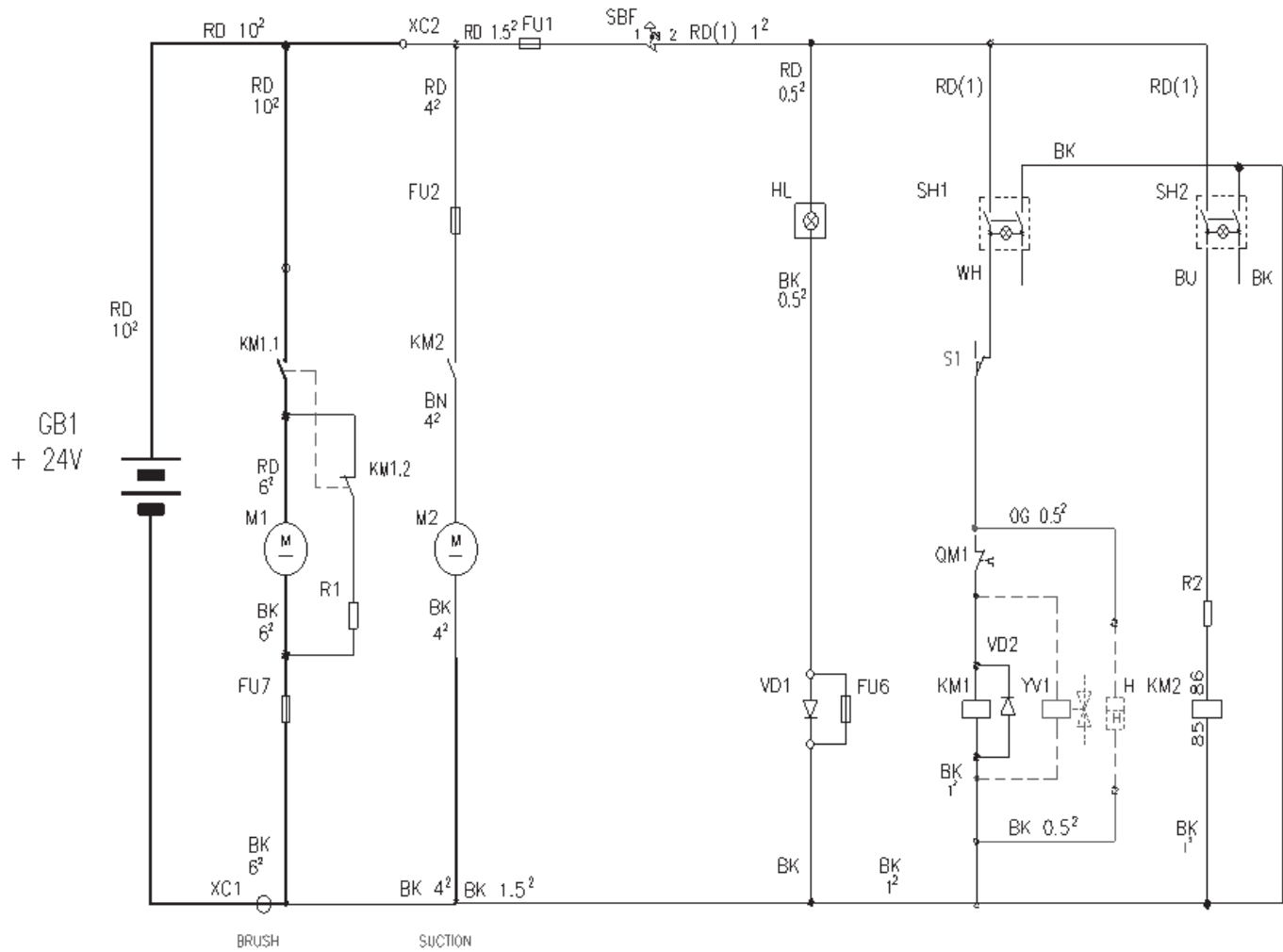
Ref.	Part N.	Description	Quantity	Validity From	Validity To
1	GUGO00267	GASKET FILTRO	1		
2	FTAC48857	FILTER ASP. ACQUA SERB. LAVAP.	1		
3	LAFN05728	SPRING SUPPORT SERB.SHARK/P	1		
4	MLML00205	SPRING TESTATA	1		
5	LAFN04044	PIN APERTURA SERBATOIO	1		
6	VTRS13946	WASHER D. 8 X24 INX UNI 6593	4		
7	LAFN03940	BUSHING 8/12-5,25	2		
8	LAFN05727	HANDLE APERTURA	1		
9	VTVT15916	SCREW TE M 8X 16 UNI 5739 A2	2		
10	MLML34726	SPRING TR E350 N	1		
11	VTRS21116	WASHER D. 3 INX	1		
12	VTVT00743	SCREW TC+ M. 3-8	1		
14	VTDD15518	NUT M 6 INX	1		
15	LAFN05760	ROD INFERIORE RUBINETTO	1		
16	RCVR00538	CONNECTOR A GOMITO	2		
17	VTAE00058	CIRCLIP RADIALE ALBERI D5 INOX	1		
20	TBBP00365	TUBE LIVELLO	1		
23	GUVR00213	WASHER GOMMA	1		
24	RCVR00359	UNION/CONNECTOR 1/2 X 17 MOD.	1		
25	FSVR00091	CLAMP 14-24	2		
26	TBBP00180	TUBE D 15-500 MM	1		
27	MPVR02836	HOOKING TUBO	1		
28	RCVR00514	CONNECTOR 1/2 M RESCA 15	1		
29	GUGO00268	GASKET D.21 SP.3 GOMMA	1		
30	RCVR00353	CAP 1/2"G X ELETTR. ACL	1		
31	GUGO00261	GASKET PERNI SHARK2	2		

# Wiring



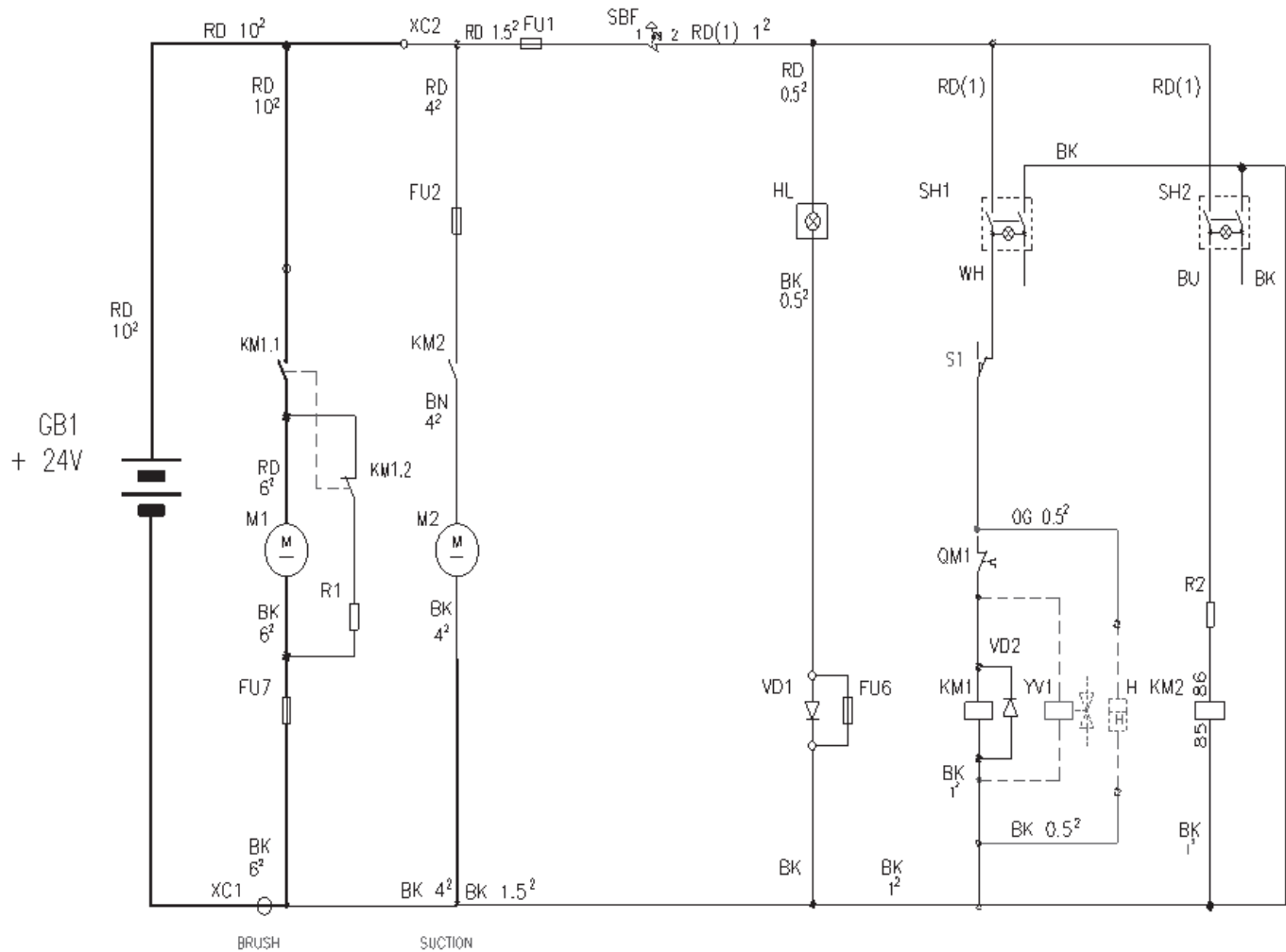
Ref.	Part N.	Description	Quantity	Validity From	Validity To
1	MPVR03000	BELT BATTERIA	1		
2	MECB00728	WIRING FUSIBILE	1	Oct-02	
3	MEVR42990	FUSE 60A NST.	1	Oct-02	
4	MEVR01332	FUSE-HOLDER	1	Oct-02	
5	MECB00727	WIRING PRINCIPALE	1	Oct-02	
6	MEVR01116	SUPPORT FUSIBILE 120 A	1	Oct-02	
7	VTRS00229	WASHER D.8	5	Oct-02	
8	VTDD10776	NUT M 8 X1 UNI 5588	5	Oct-02	
9	VTVT15961	SCREW M 5X 16 TCB TC UNI 7687	2	Oct-02	
10	VTRS13750	WASHER D. 5X14 INX	2	Oct-02	
11	METT30650	CONTACTOR 24 V	1	Oct-02	
13	VTDD01695	NUT M 8 INX	1	Oct-02	
14	VTVT00633	SCREW M 3X 20 TCB-TC BK.U.7687	2	Oct-02	
15	MECB00726	WIRING BATTERIE	1	Oct-02	
16	BAAC00070	BATTERY TUBOL.12V 118	2		
17	MEVR34820	WIRING B 450 BT	1	Oct-02	
18	MPVR03271	PLATE BATTERIA	1	Oct-02	
19	LAFN05628	PLATE AGGANCIO MOLLA	1	Oct-02	
20	VTVT00810	SCREW	2	Oct-02	
21	VTVT13941	SCREW M5x16 TSPEI UNI 5933	1	Oct-02	
22	VTRS13947	WASHER D. 8 INX UNI 6592	1	Oct-02	
23	VTRS13750	WASHER D. 5X14 INX	1	Oct-02	
24	VTDD15517	NUT M 5 INX	1	Oct-02	

# Electric Diagram 1



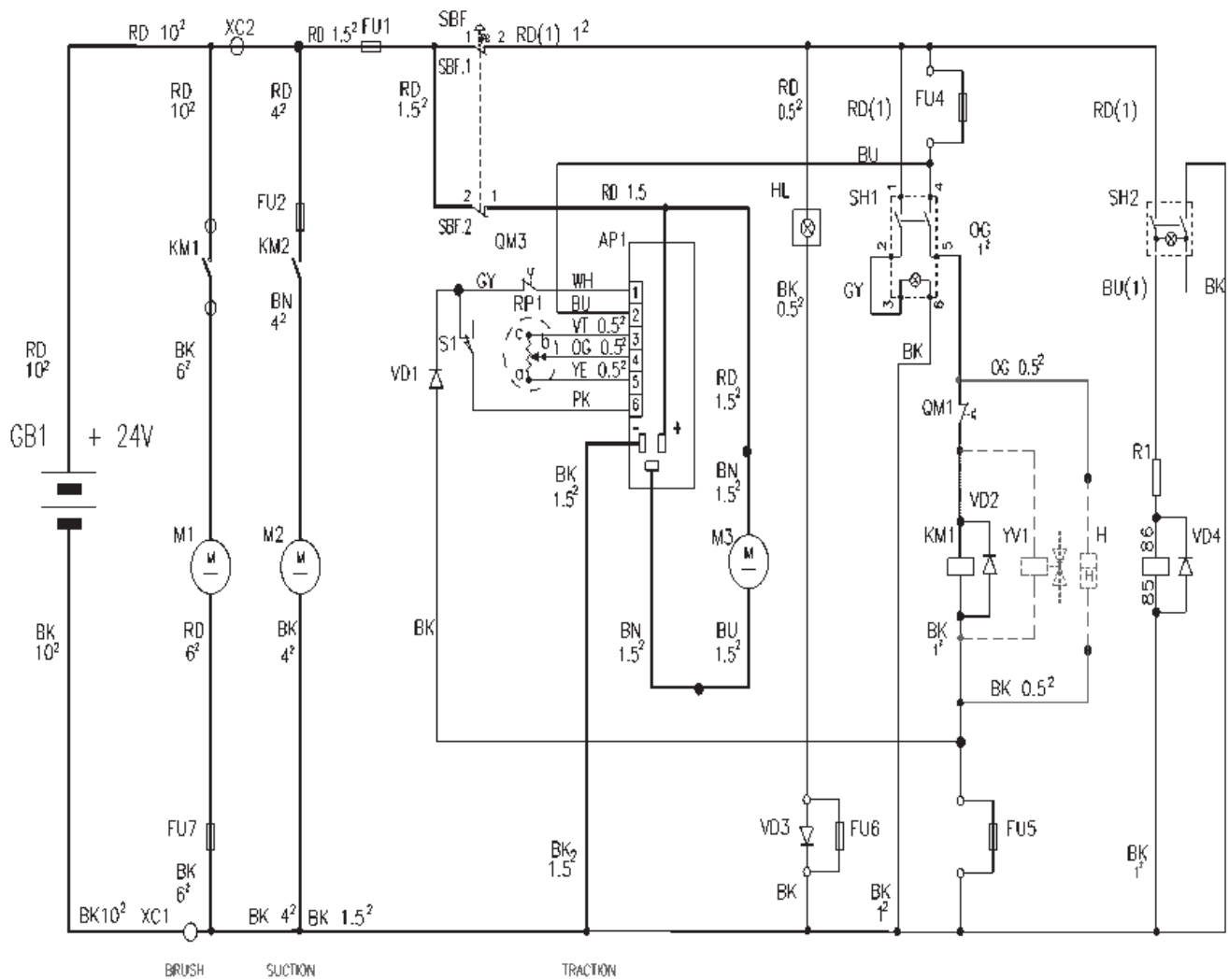
Ref.	Part N.	Description	Quantity	Validity From	Validity To
AP1	MECE00390	GEARCASE TRAZ. 24V	1		
FU1	MEVR01136	FUSE 30A	1		
FU2	MEVR01380	FUSE A LAMA	1		
FU4	MEVR01136	FUSE 30A	1		
FU5	MEVR01136	FUSE 30A	1		
FU6	MEVR01136	FUSE 30A	1		
FU7	MEVR42990	FUSE 60A NST.	1		
H	MESB00022	HOUR-COUNTER 24V	1		
HL	MECE30652	PCB LAV.FL.	1		
KM1	METT30650	CONTACTOR 24 V	1		
KM2	MERL45196	SWITCH RELAY F7 IN/O 12V 70A	1		
M1	MOCC36311	TRACTION MOTOR DW225 600 W 24V	1		
M2	MOCC00253	MOTOR ASPIR.BIST.24V	1		
M3	MOCC46994	MOTOR SHK.57 24V	1		
R1	MECE00341	RESISTANCE 68R	1		
RP1	MEVR01432	POTENTIOMETER A FILO	1		
S1	MECI00310	MICROSWITCH	1		
SBF	MECI38446	BUTTON D.22 NC	1		
SH1	MECI00336	SWITCH BIPOL.LUMIN.	1		
SH2	MECI30651	SWITCH GIALLO 36V	1		

# Electric Diagram 1



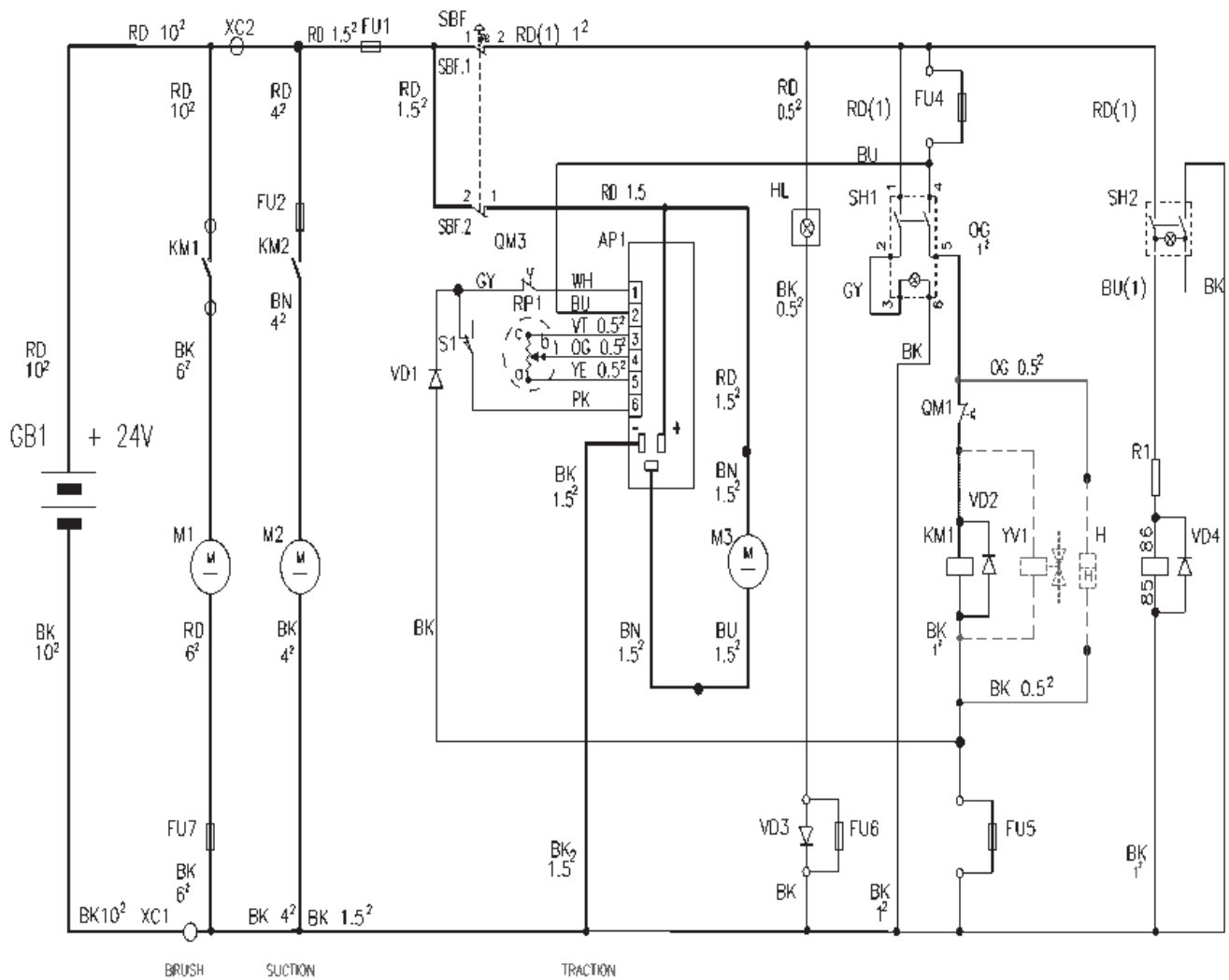
VD1	MECI00294	DIODE 1N4007	1
VD2	MECI00294	DIODE 1N4007	1
VD3	MECI00294	DIODE 1N4007	1
VD4	MECI00294	DIODE 1N4007	1
XC1	MEVR01116	SUPPORT FUSIBILE 120 A	1
XC2	MEVR01227	CLAMP FORBOX E27	1
XP1	MEVR01294	CONNECTOR STAGNO CPL 2M	1
XP2	MEVR01283	CONNECTOR STAGNO CPL 2M	1
XP3	MEVR01079	PLUG M CB50 A 600V RD.	1
XP4	MEVR01294	CONNECTOR STAGNO CPL 2M	1
XP5	MEVR01291	CONNECTOR STAGNO CPL 6M	1
XS1	MEVR01296	CONNECTOR STAGNO CPL 2F 28A	1
XS2	MEVR01284	CONNECTOR STAGNO CPL 2F	1
XS4	MEVR01296	CONNECTOR STAGNO CPL 2F 28A	1
XS5	MEVR01292	CONNECTOR STAGNO CPL 6F	1
XS6	MEVR36065	CONNECTOR 6 VIE F	1
YV	MEEV00016	SOLENOID VALVE 24V 14W DC 7250 169	1

# Electric Diagram 2



Ref.	Part N.	Description	Quantity	Validity From	Validity To
AP1	MECE00390	GEARCASE TRAZ. 24V	1		
FU1	MEVR01136	FUSE 30A	1		
FU2	MEVR01380	FUSE A LAMA	1		
FU4	MEVR01136	FUSE 30A	1		
FU5	MEVR01136	FUSE 30A	1		
FU6	MEVR01136	FUSE 30A	1		
FU7	MEVR42990	FUSE 60A NST.	1		
H	MESB00022	HOUR-COUNTER 24V	1		
HL	MECE30652	PCB LAV.FL.	1		
KM1	METT30650	CONTACTOR 24 V	1		
KM2	MERL45196	SWITCH RELAY F7 IN/O 12V 70A	1		
M1	MOCC36311	BRUSH MOTOR	1		
M2	MOCC00253	MOTOR ASPIR.BIST.24V	1		
M3	MOCC46994	MOTOR SHK.57 24V	1		
R1	MECE00341	RESISTANCE 68R	1		
RP1	MEVR01432	POTENTIOMETER A FILO	1		
S1	MECI00310	MICROSWITCH	1		
SBF	MECI38446	BUTTON D.22 NC	1		
SBF	MECI48425	CONTACT 1NC	1		

# Electric Diagram 2



SH1	MECI00336	SWITCH BIPOL.LUMIN.	1
SH2	MECI30651	SWITCH GIALLO 36V	1
VD1	MECI00294	DIODE 1N4007	1
VD2	MECI00294	DIODE 1N4007	1
VD3	MECI00294	DIODE 1N4007	1
VD4	MECI00294	DIODE 1N4007	1
XC1	MEVR01116	SUPPORT FUSIBILE 120 A	1
XC2	MEVR01227	CLAMP FORBOX E27	1
YV	MEEV00016	SOLENOID VALVE 24V 14W DC 7250 169	1