

PARTS MANUAL

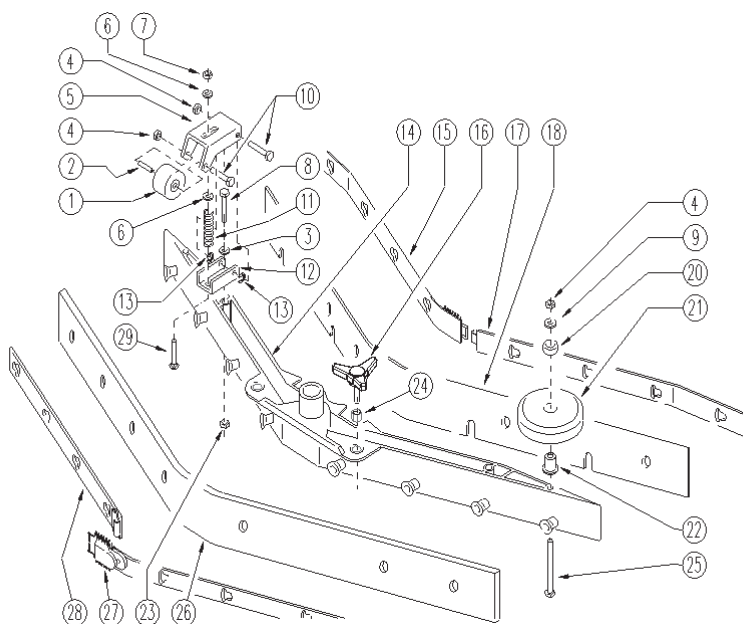


HURRICANE 610 XTT

AUTOMATIC SCRUBBER

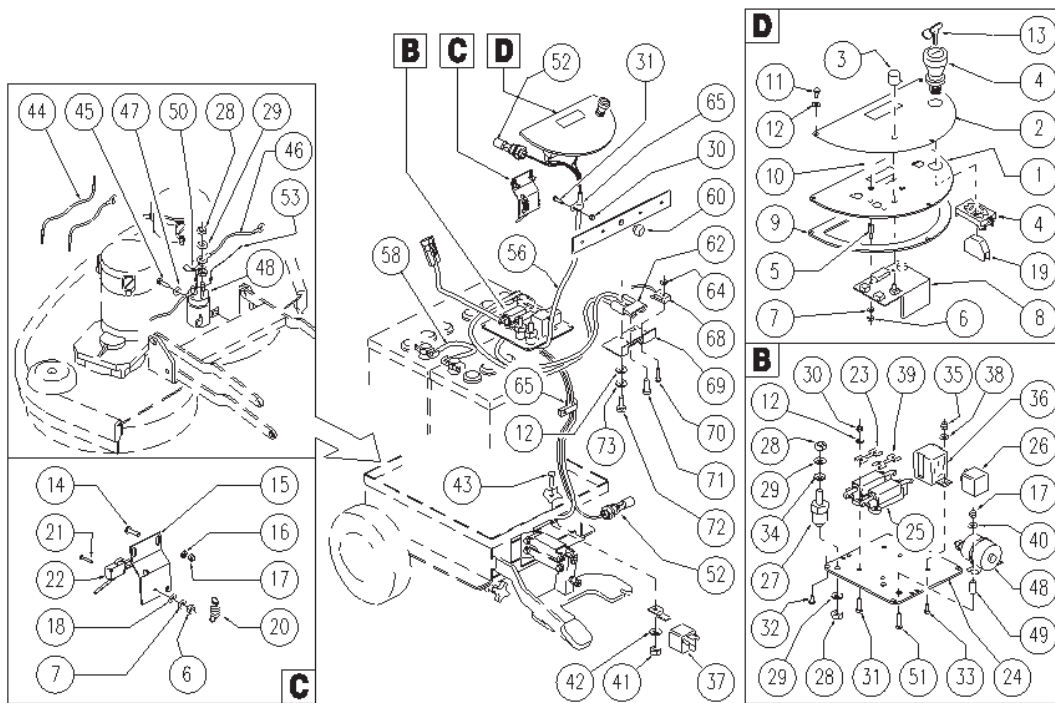
Date: April 9, 2008
Code: 19333

Squeegee



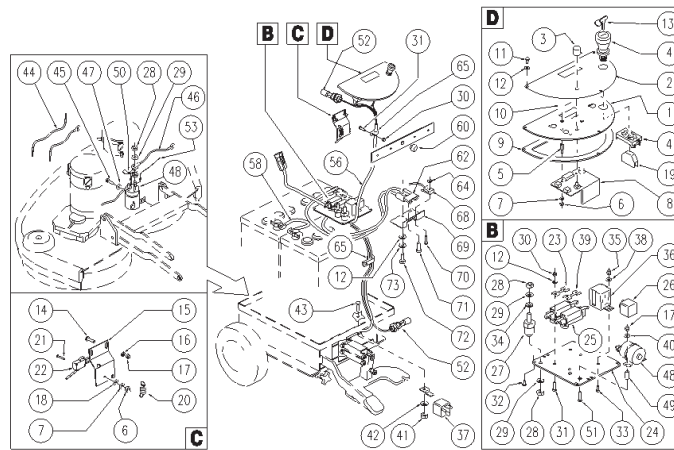
Ref.	Part N.	Description	Quantity	Validity From	Validity To
1	3RTRT49413	WHEEL D. 60-D.15 X36 NYL.	2	03/2004	
2	3LAFN04041	SPACER D6/15	2	03/2004	
3	3VTRS00245	WASHER D.6 UNI 6592 INOX	12	03/2004	05/2006
3	3VTRS15144	WASHER D. 6 INX GRW UNI 1751	4	05/2006	
4	3VTDD01694	NUT M 6 INX	4	03/2004	
5	3LAFN05559	SUPPORT RUOTINO	2	03/2004	
6	3VTRS13947	WASHER D. 8 INX UNI 6592	4	03/2004	
7	3VTDD01695	NUT M 8 INX	2		
8	3VTVT15142	SCREW TE M 6x45 INOX	2	03/2004	
10	3VTVT15143	SCREW TE 6X16 UNI5739	4	03/2004	05/2006
10	3VTVT15515	SCREW TE M 6X 50 INOX A2	4	05/2006	
11	3MLML49422	SPRING D.15X 45 X1	2		
12	3LAFN51069	BRACKET SUPP.RUOTINO SQUEEGEE	2		
13	3VTAE45707	CIRCLIP D. 6 UNI 7434 INOX	4		
14	3MFVR00141	BODY SQUEEGEE PRESSOFUSO "S"	1	03/2004	
15	3LAFN51045	LAMINATION BLOCCA LAMA ANTER.SX S	1	03/2004	
16	3MPVR04164	HANDWHEEL M8 FILETTO PASSANTE	2	03/2004	06/2007
16	3MPVR05265	KNOB 8X25	2	06/2007	
17	3LAFN51044	LAMINATION BLOCCA LAMA ANTER.DX S	1	03/2004	
18	3MPVR45194	RUBBER BLADE LAV. 800 ANT.	1	03/2004	
19	3VTVT00655	SCREW TE M. 6-55	2		
20	3MPVR49229	BUSHING SHK	2	03/2004	
21	3RTRT43370	CASTER D.100 2V.	2	03/2004	
22	3LAFN04100	SPACER PER RUOTINO PARACOLPI	2	03/2004	
23	3VTDD15520	NUT M 6 A2 UNI 5588 INX	4	03/2004	
24	3VTAE00074	CIRCLIP D8	2	03/2004	06/2007
24	3VTVR00022	INSERT FILETTATO ESAGONALE M8	2	06/2007	
25	3VTVT01050	SCREW TE M 8X30 INX UNI 5737	2	06/2004	06/2007
26	3MPVR45195	RUBBER BLADE LAV. 800 PST.POL.	1	03/2004	
27	3LAFN49284	BLADE HOLDER POSTERIORE DX (S)	1	03/2004	
28	3LAFN49285	BLADE HOLDER POSTERIORE SX (S)	1	03/2004	
29	3VTVT01304	SCREW M 8X 40 TTQST UNI 5731	2	05/2006	

Wiring



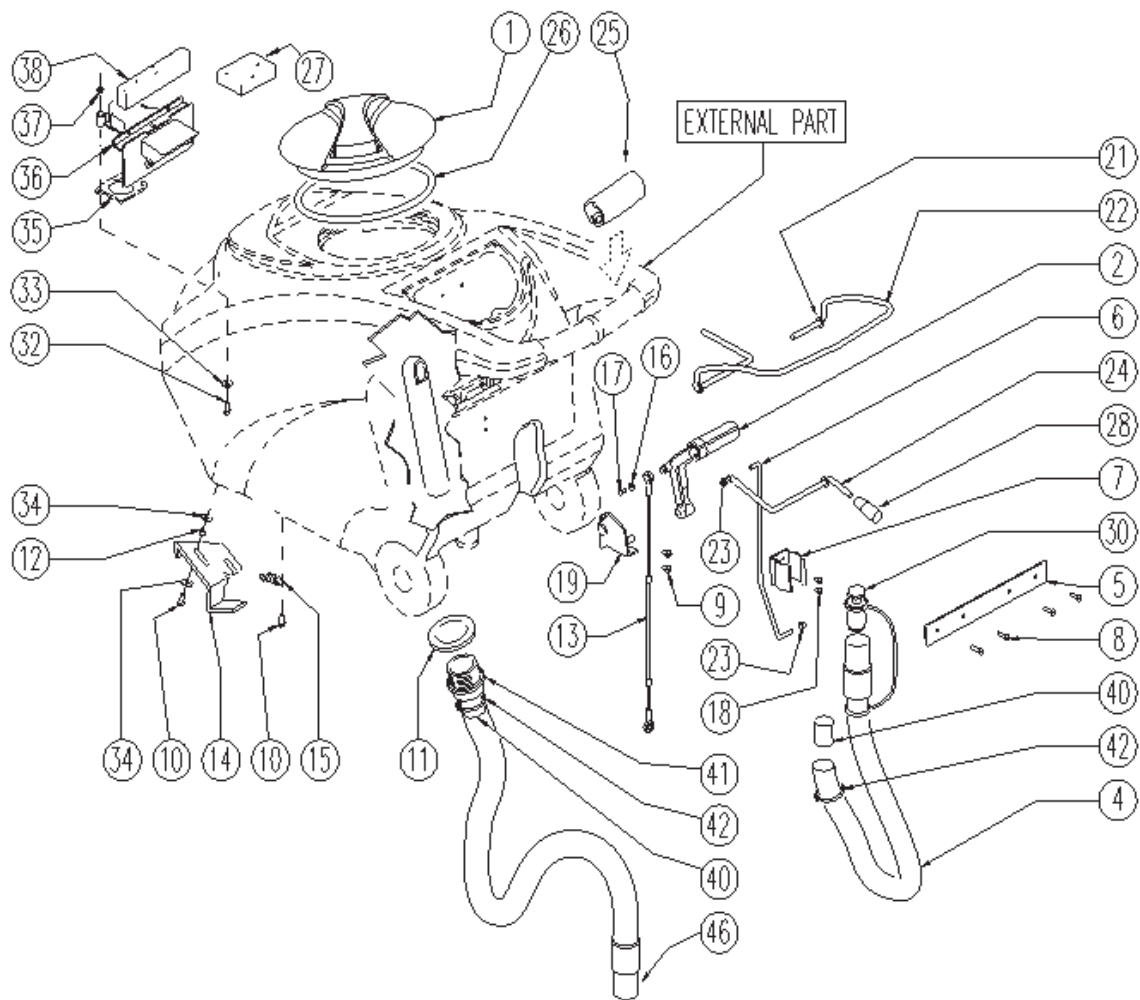
Ref.	Part N.	Description	Quantity	Validity From	Validity To
1	3LAFN06288	SUPPORT PLANCIA COMANDI	1		
2	3ETET01415	LABEL PLANCIA COMANDI	1		
3	3MEVR01666	PLUG FT 80	1		
4	3MECI00323	BUTTON FUNGO	1		
5	3VTVR00481	INSERT FILETTATO M6	3		
6	3VTDD21115	NUT M 3 INOX	5		
7	3VTRS00268	WASHER D.3	5		
8	3MECE00465	BOARD CT70-90	1		
9	3GUGO38417	GASKET PANN.COM.EXTREME	1		
10	3VTVT00865	SCREW TSP-TC M 3X 6 UNI7688 INX	3		
11	3VTVT37012	SCREW M 4X 10 TCB-TC INX	3		
12	3VTRS00515	WASHER D. 4 INX	9		
13	3CHVR00051	DIASASS.SPANNERPULSANTE FUNGO	1		
14	3VTVT07725	SCREW TE 5X16 UNI5739 INX	2		
15	3LAFN05904	PLATE MICRO LEVA	1		
16	3VTRS00516	WASHER D. 5 INX	2		
17	3VTDD01693	NUT M 5 INX	4		
18	3VTRS21116	WASHER D. 3 INX	2		
19	3MECI00403	CONTACT -	1		
20	3MLML34726	SPRING TR E350 N	1		
21	3VTVT01316	SCREW TC+ M3-16	2		
22	3MECI36393	MICROSWITCH TRZ. DRW	1		
23	3MEVR02887	FUSE 40A NST.	1		
24	3LAFN06822	RING NUT M20X1 ABL	1		
25	3MEVR01332	FUSE-HOLDER	2		
26	3MECE00139	RELAY POTENZA 24V	1		
27	3MEVR01116	SUPPORT FUSIBILE 120 A	1		
28	3VTDD15521	NUT M 8 INX A2 UNI 5588	6		
29	3VTRS01080	WASHER D. 8 GRW	6		

Wiring



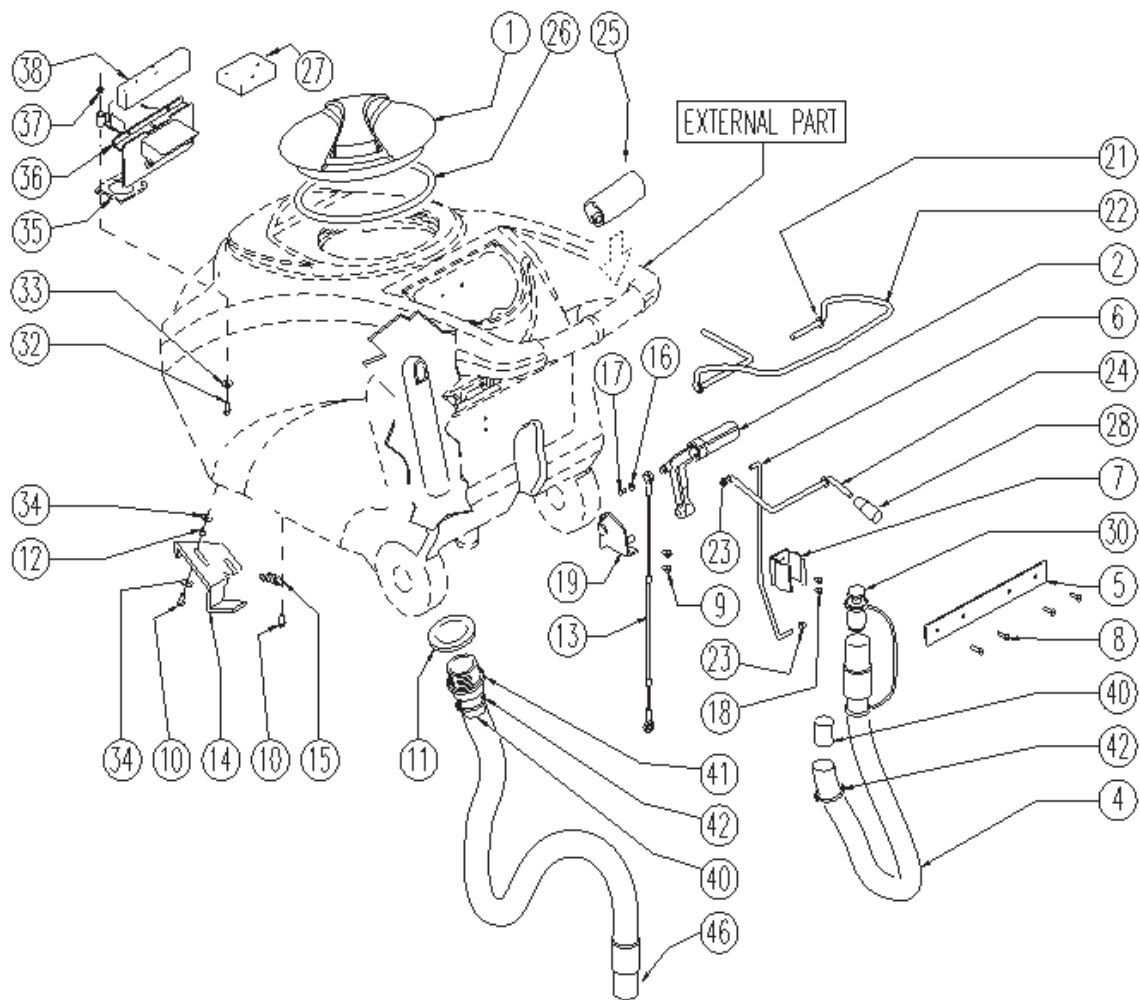
30	3VTDD15925	NUT M 4 INX	4		
31	3VTVT00704	SCREW TE M 4X 16 UNI5739 INOX	6		
32	3VTVT01580	SCREW TC M5X10 UNI7687 INOX	4		
33	3VTVT21096	SCREW TE M 4X 10 INX	1		
34	3VTRS13947	WASHER D. 8 INX UNI 6592	3		
35	3VTDD00147	NUT M 4 INX U.5588	1		
36	3METT00053	BLOCK PORTA RELE'	1		
37	3MECI00005	RELAY 24V 10/20A	1		
38	3VTRS13750	WASHER D. 5X14 INX	1		
39	3MEVR00604	FUSE	1	07/2007	
39	3MEVR42990	FUSE 60A NST.	1		07/2007
40	3VTRS15958	WASHER D. 5 X15 UNI 6593	2		
41	3VTDD01694	NUT M 6 INX	1		
42	3VTRS00245	WASHER D.6 UNI 6592 INOX	1		
43	3VTVT01676	SCREW TSTC UNI 7688 M6X16	1		
44	3MECB01014	CABLE 6,5mmq	2		
46	3MECB00987	WIRING -	1		
47	3VTRS15144	WASHER D. 6 INX GRW UNI 1751	2		
48	3METT45116	CONTACTOR 24V T106 P	2		
49	3LAFN31098	SPACER S. BLOCK B 450	2		
50	3MECB01019	WIRING	1		
51	3VTVT00399	SCREW TE M5x30 UNI 5739	2		
52	3MECI00516	SENSOR DI LIVELLO ORIZZONTALE	2		
53	3MECB01020	WIRING	1		
54	3LAFN35588	BATTERY SUPPORTLAV. BT	1		
56	3MECB01008	ELECTRI.INSTAL.CT 40 BT 24V	1		
58	3MEVR34820	WIRING B 450 BT	1		
60	3MPVR00043	CAP CHIUS.FORO PORTAFUS.L 15	1		
62	3MEVR01707	CONNECTOR -	1		
64	3VTDD08634	NUT M2	2		
65	3FSVR00099	CLAMP FERMATUBO	2		
68	3MECI00334	MICROSWITCH V4	1		
69	3LAFN06409	SUPPORT -	1		
70	3VTVT00671	SCREW TC- M.2-16 OTTONE	2		
71	3VTVT00872	SCREW TSP+ 2.9X13 AUTOFIL. INOX	1		
72	3VTVT00814	SCREW TE M.4-25	2		
73	3VTRS15913	WASHER D. 4 GROVER A2 UNI1751	2		

Tank



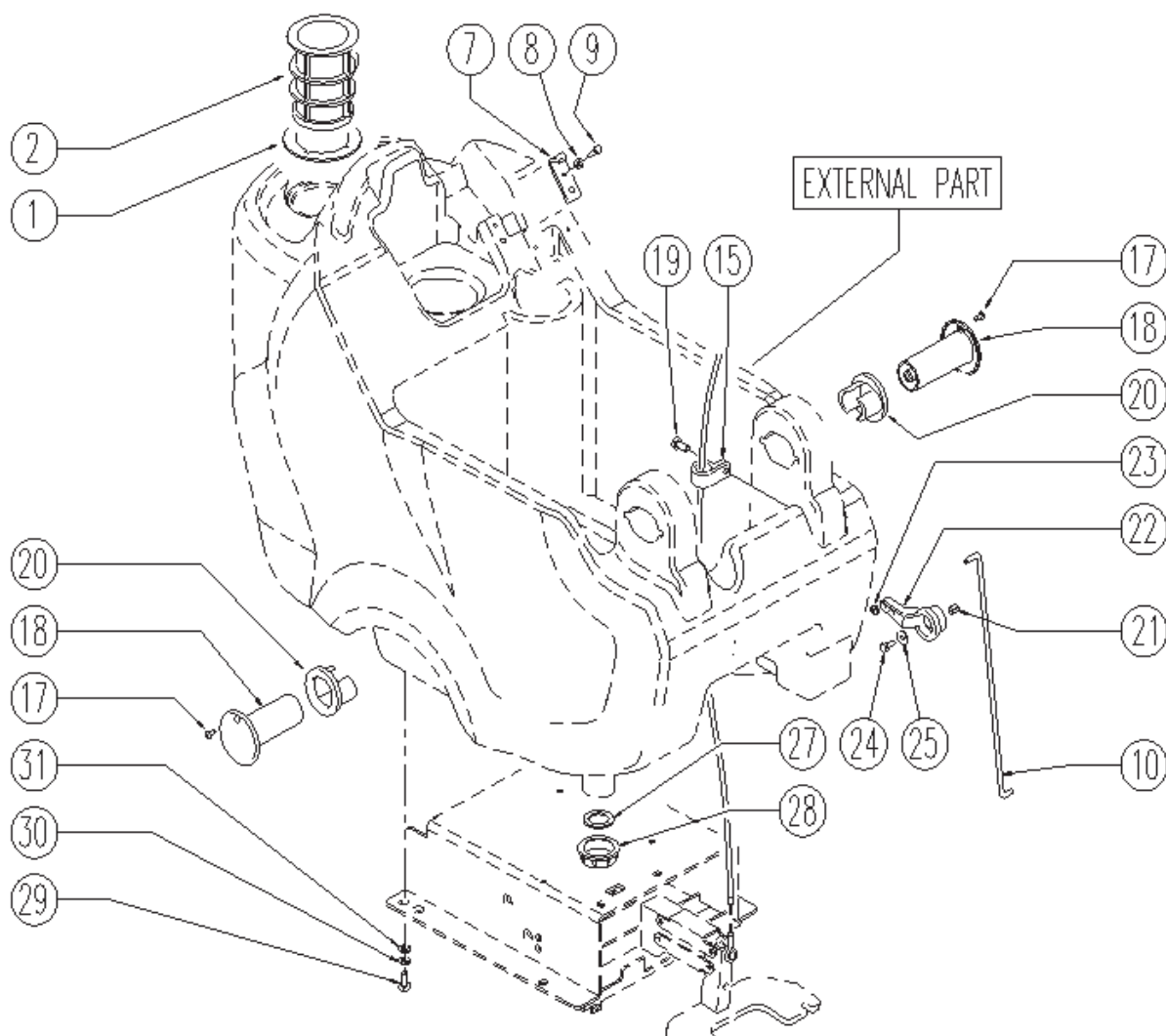
Ref.	Part N.	Description	Quantity	Validity From	Validity To
1	3MPVR04051	TANK CAP	1		
2	3MPVR49942	LEVER SHK PP	1		
4	3TBBP00428	TUBE SCARICO	1		
5	3LAFN05865	PLATE COPRILEVA CONSENSO	1		
6	3LAFN05863	ROD RUBINETTO	1		
7	3MPVR46988	CLIP LAV. SHK	1		
9	3VTVT15906	SCREW TE 6X 12 A2 UNI 5739	2		
10	3VTVT15143	SCREW TE 6X16 UNI5739	3		
11	3GUGO00216	GASKET ACQUA SPORCA	1		
12	3LAFN03626	SPACER	2		
13	3CMCV00428	CABLE SQUEEGEE	1		
14	3LAFN06849	HANDLE CT 70	1		
15	3MLML00203	SPRING	1		
16	3VTRS00251	WASHER 4-16 INOX A2	1		
17	3VTVT00800	SCREW TC 4X12 ZN	1		
18	3VTVT21096	SCREW TE M 4X 10 INX	2		
19	3LAFN05870	BRACKET LEVA SOLLEVAM. SQUEEGEE	1		
20	3PMVR02012	GROUP TUBO TUBO INT. P197	1		
21	3VTRS13947	WASHER D. 8 INX UNI 6592	2		
22	3LAFN05861	LEVER CONSENSO SPAZZOLE	1		
23	3VTDD01694	NUT M 6 INX	2		

Tank



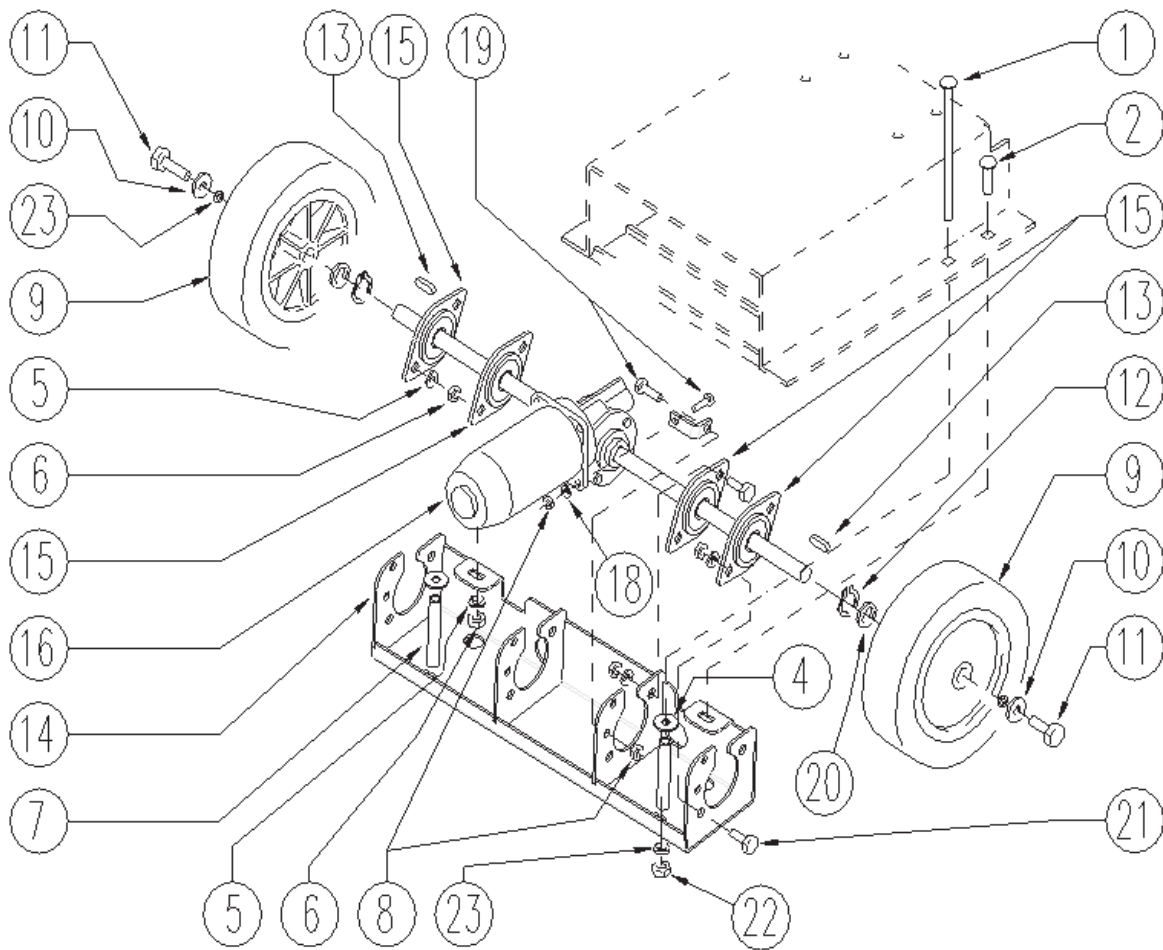
24	3LAFN05908	ROD COMANDO RUBINETTO	1
25	3MPVR05215	KNOB -	2
26	3GUGO00263	GASKET CIRCOLARE TAPPO	1
27	3FTDP00133	FILTER ASPIRAZIONE ALLUNG.	1
28	3MPVR04146	KNOB IN PVC MOD. 1001 FORO D.6	1
29	3MPVR04716	RING NUT 1"1/2	1
30	3MPVR05064	CAP COMPLETO	1
31	3MPVR51086	TUBE INT.SERB.RECUP.	1
32	3VTVT01139	SCREW TE M.4-25	2
33	3VTRS00515	WASHER D. 4 INX	2
34	3VTRS00274	WASHER NYLON 66 D.8,4-17-2 UNI	4
35	3GUGO00417	GASKET SCATOLA ASPIRAZIONE	1
36	3FTDP00185	BOX ASPIRAZIONE	1
37	3VTDD15925	NUT M 4 INX	2
38	3GUGO00418	GASKET CONDOTTO ASPIRAZIONE	1
39	3PMVR01129	GROUP tubo tigr.d.50 p185	1
40	3GUGO00245	GASKET	1
41	3RCVR00586	CONNECTOR 1/4	1
42	3FSVR43136	CLAMP D. 35-40 DF.	2
45	3MPVR02730	PLATE SIFONE	1
46	3TBBP00407	TUBE L=990 d.i.350	1

Water Tank



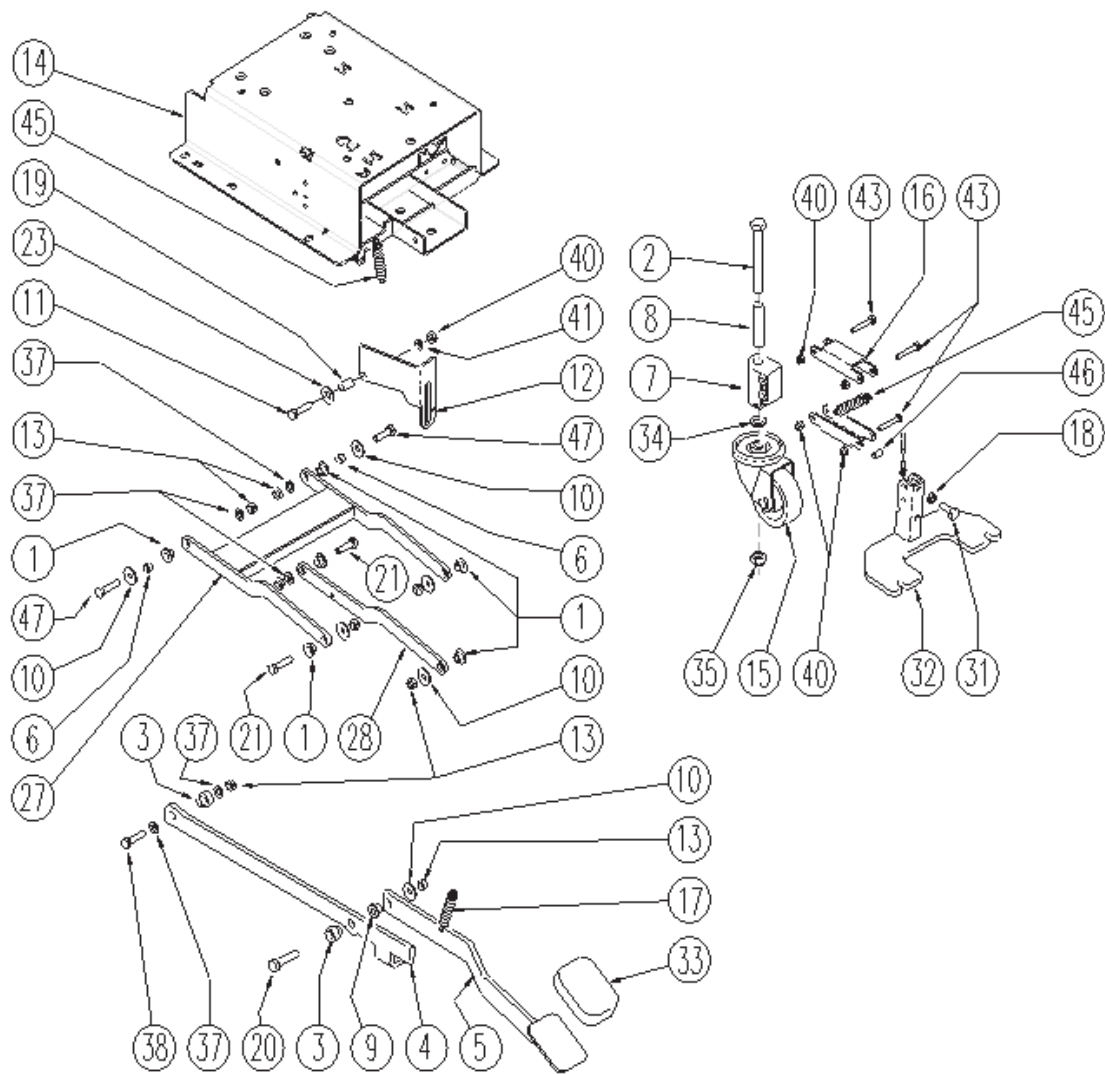
Ref.	Part N.	Description	Quantity	Validity From	Validity To
1	3GUGO00267	GASKET FILTRO	1		
2	3FTAC00040	FILTER -	1		
7	3LAFN06489	PLATE	1		
8	3VTRS15144	WASHER D. 6 INX GRW UNI 1751	1		
9	3VTVT01303	SCREW TE M6-10 INOX	1		
10	3LAFN05862	ROD RUBINETTO	1		
15	3MPVR02933	DUCT LOCK D.9,5	2		
17	3VTVT48694	SCREW TCB TC 5 X12 UNI 9707 TZ	2		
18	3MPVR48695	PIN SHK.BK	2		
19	3VTVT15961	SCREW M 5X 16 TCB TC UNI 7687	1		
20	3PMVR02028	RUBBER GRUPPO MONTAGGIO	2		
21	3VTVR48693	INSERT M6 D.9	1		
22	3MPVR49471	LEVER SHK	1		
24	3VTVT15143	SCREW TE 6X16 UNI5739	1		
25	3VTRS13945	WASHER D. 6X18 INX UNI 6593	1		
27	3GUGO00416	GASKET TAPPO SCARICO SERB.	1		
28	3MPVR04931	CAP SCARICO	1		
29	3VTVT15916	SCREW TE M 8X 16 UNI 5739 A2	4		
30	3VTRS00269	WASHER D. 8 DIN 6798-A INX A2	4		
31	3VTRS13947	WASHER D. 8 INX UNI 6592	4		

Motor



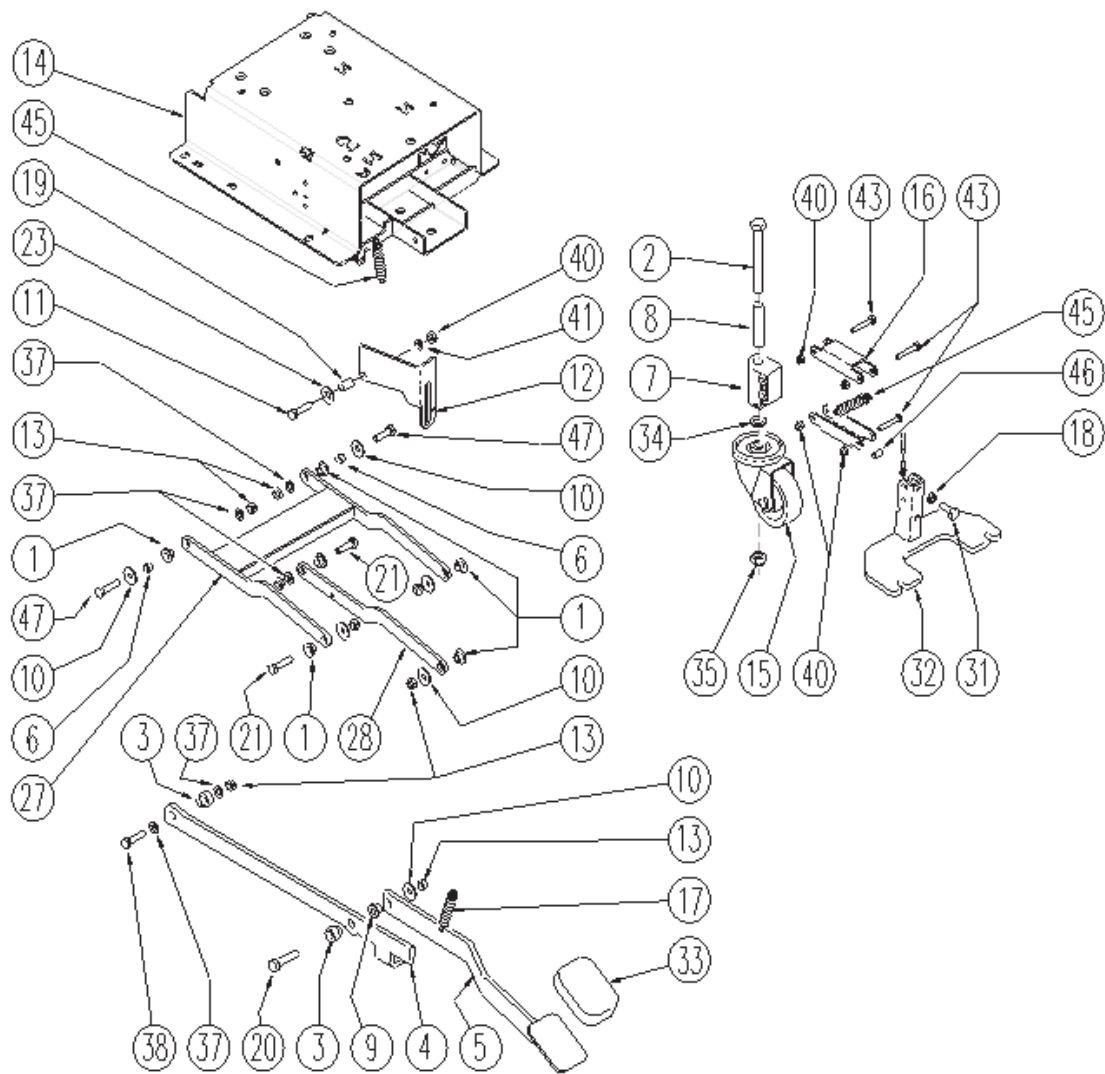
Ref.	Part N.	Description	Quantity	Validity From	Validity To
1	3VTVT01140	SCREW TTTQS M8-100	2		
2	3VTVT00842	SCREW	2		
4	3VTRS13946	WASHER D. 8 X24 INX UNI 6593	2		
5	3VTRS13947	WASHER D. 8 INX UNI 6592	10		
6	3VTDD01695	NUT M 8 INX	10		
7	3LAFN04155	SPACER ASSE LEVA MOLLA PRESS.	2		
8	3VTDD01694	NUT M 6 INX	2		
9	3RTRT36352	WHEEL D.200 DRW	2		
10	3VTRS13946	WASHER D. 8 X24 INX UNI 6593	2		
11	3VTVT15916	SCREW TE M 8X 16 UNI 5739 A2	2		
12	3VTAE06193	CIRCLIP D. 20 UNI 7435	2		
13	3VTVR33668	KEY 6x 6x40 UNI 6604A	2		
14	3LAFN07418	SUPPORT MOTORE	1		
15	3CUVR00105	SUPPORT	4		
16	3MOCC00301	MOTOR AOMPDIFF 24V 165W 130G	1		09/2007
16	3MOCC00335	MOTOR 180W	1	09/2007	
17	3LAFN09093	SMALL SQUARE -	1		
18	3VTRS00245	WASHER D.6 UNI 6592 INOX	2		
19	3VTVT13939	SCREW TE 6X20 UNI5739 INX	2		
20	3VTRS00032	THICKNESS 20,2X28X1 DIN 988	2		
21	3VTVT15907	SCREW TE 8X25 UNI5739 INX	8		
22	3VTDD15521	NUT M 8 INX A2 UNI 5588	2		
23	3VTRS15146	WASHER D. 8 INX GRW UNI 1751	4		

Frame



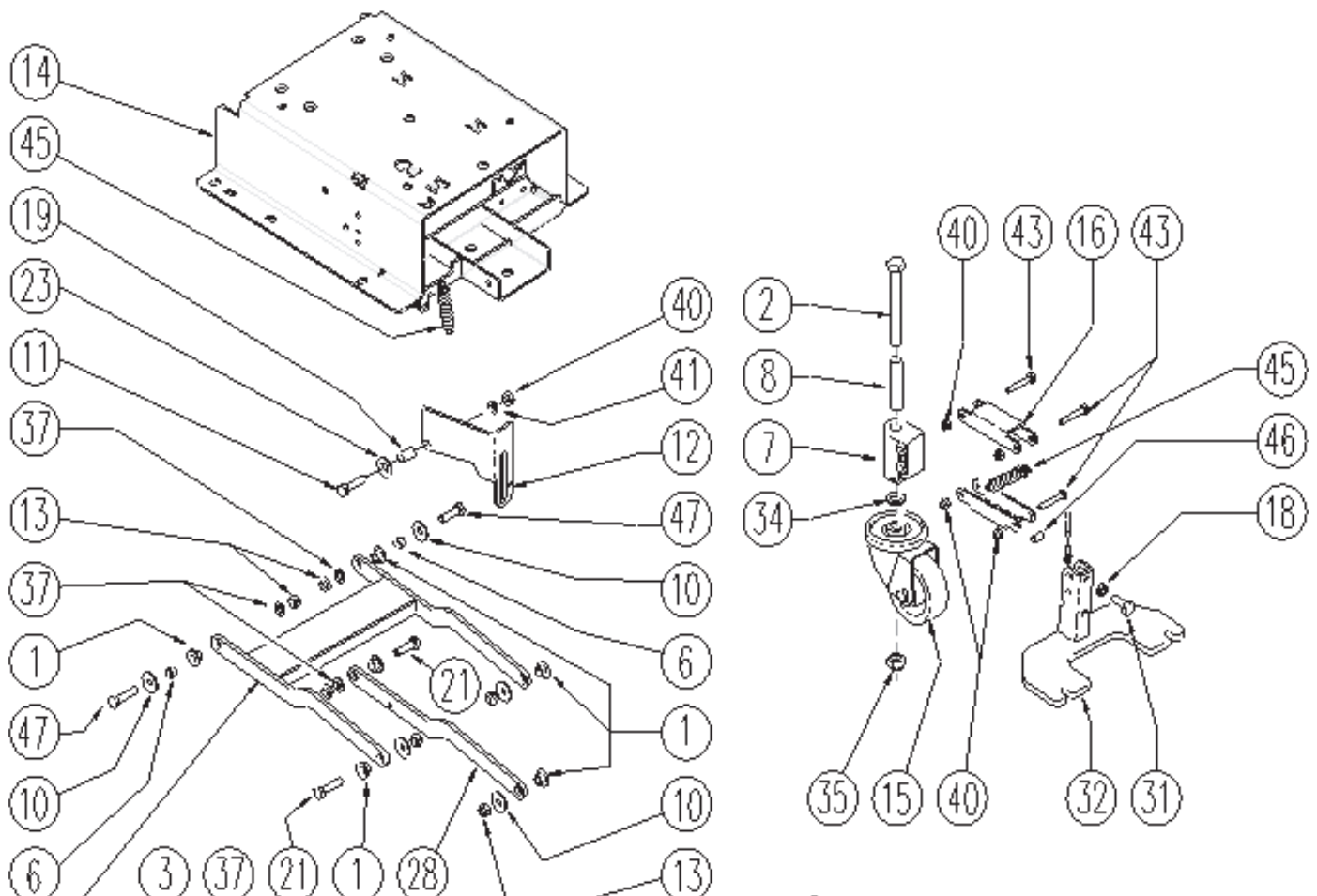
Ref.	Part N.	Description	Quantity	Validity From	Validity To
1	3LAFN06391	BUSHING PARALLELOGRAMMA	6		
2	3VTVT24212	SCREW TE M 12X100 UNI 5737 INOX	1		
3	3LAFN04190	BUSHING PARALLELOGR. TEST.GR.	2		
4	3LAFN09091	LEVER SOLLEVAMENTO	1		
5	3LAFN06417	LEVER -	1		
6	3RCDS34717	BUSHING D. 9X12X 8.3	2		
7	3MPVR04734	BLOCK TERGI	1		
8	3LAFN04188	PIN ROTAZIONE SQUEEGEE	1		
9	3LAFN51068	BUSHING LEVA POSTER.	1		
10	3VTRS13946	WASHER D. 8 X24 INX UNI 6593	6		
11	3VTVT00161	SCREW TE M6X20	1		
12	3LAFN10124	PLATE	1		
13	3VTDD01695	NUT M 8 INX	8		
14	3LAFN07293	BASE SERBATOIO	1		
15	3RTRT00276	SMALL WHEEL GIREVOLE PER SPAZZANTE	1		
16	3LAFN05853	LEVER ARM SOLLEVAMENTO TERGI	2		
17	3MLML34726	SPRING TR E350 N	1		
18	3VTDD15521	NUT M 8 INX A2 UNI 5588	2		
19	3LAFN03840	BUSHING	1		

Frame



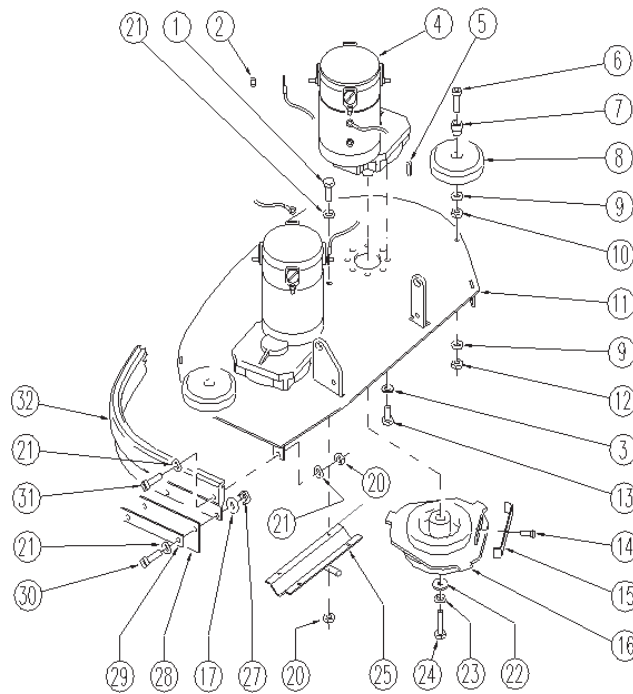
20	3VTVT15917	SCREW TE M 8X50 INOX A2 UNI	1	
21	3VTVT15907	SCREW TE 8X25 UNI5739 INX	3	
23	3VTRS00274	WASHER NYLON 66 D.8,4-17-2 UNI	1	
26	3VTDD15925	NUT M 4 INX	1	
27	3LAFN06421	ARM -	1	
28	3LAFN06389	ARM PARALLELOGRAMMA	1	
31	3VTVT00447	SCREW TE 8X25 UNI5739	1	04/2007
31	3VTVT00908	GRUB SCREW M.8-25 PIANO	1	04/2007
32	3LAFN06355	PLATE SQUEEGEE	1	
33	3MPVR05186	COVER -	1	
34	3VTRS00312	WASHER D.13 x24 INOX	1	
35	3VTDD00176	NUT M.12 INOX A2 BASSO AUTOB.	1	
37	3VTRS13947	WASHER D. 8 INX UNI 6592	4	
38	3VTVT00429	SCREW TE M 8X 40 INX UNI 5737	1	
40	3VTDD01694	NUT M 6 INX	5	
41	3VTRS00245	WASHER D.6 UNI 6592 INOX	1	
43	3VTVT15145	SCREW TE 6X40 UNI5739 INX	4	
45	3MLML00303	SPRING REGISTRAZIONE FLAP	1	
46	3LAFN03742	SPACER SILENZIATORE	2	
47	3VTVT13937	SCREW TE M 8X 30 INX UNI 5739	2	

Vacuum Cleaner



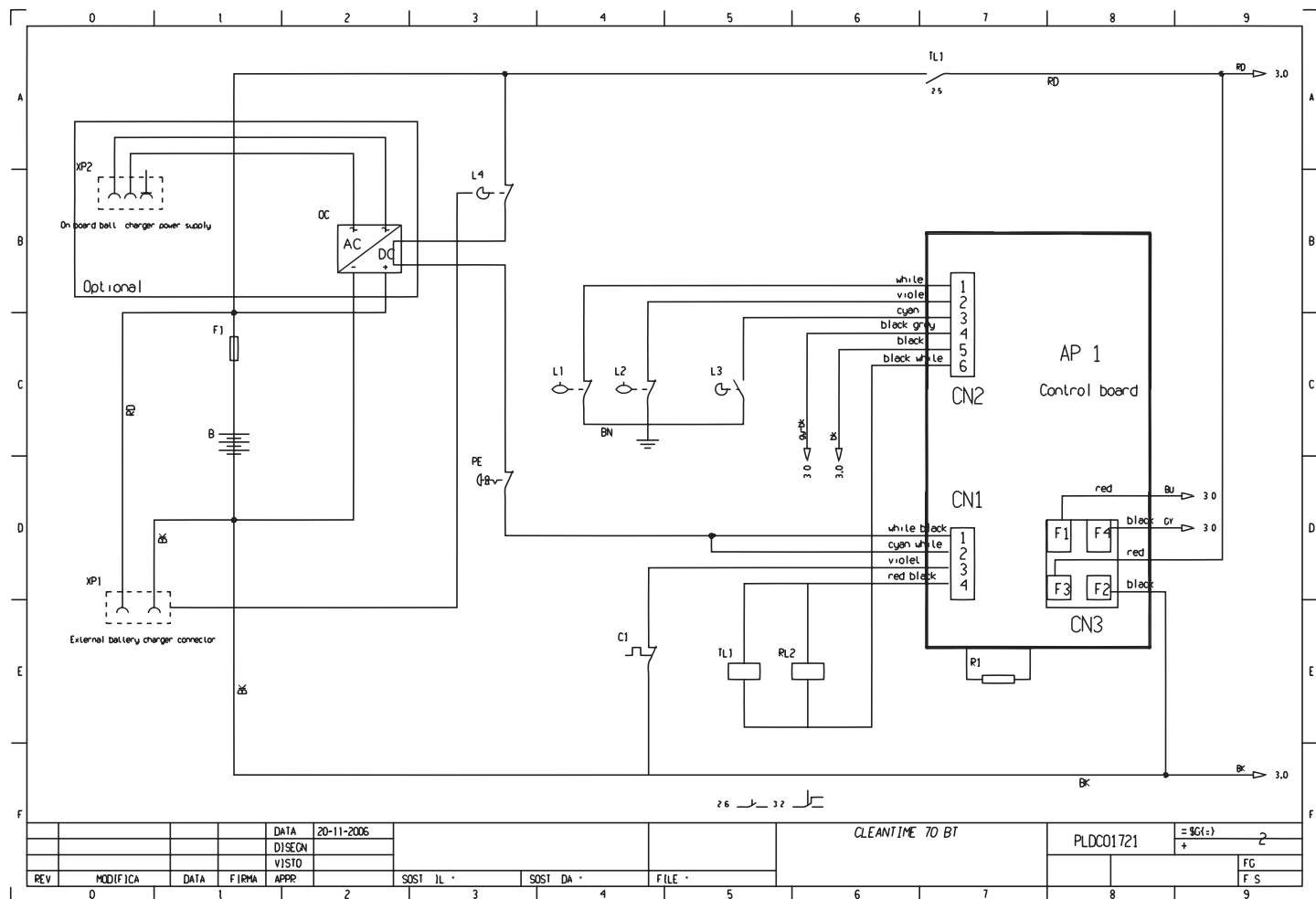
Ref.	Part N.	Description	Quantity	Validity From	Validity To
1	3MPVR05259	TUBE	1	06/2007	
1	3TBFX00244	TUBE D 34 L200MM	1		06/2007
2	3LAFN06363	FLANGE Vacuum	1		
3	3MPVR05103	SOUND-PROOFING Vacuum	1		
4	3MPVR31077	BUSHING L.450	1		06/2007
5	3MPVR04724	FLANGE IN NYLON	1		
6	3MOCC00253	MOTOR VAC .24V	1		
7	3GUGO00272	GASKET	1		
8	3FSVR00099	CLAMP	1		
9	3VTVT00813	SCREW M 4X 8 TCB-TC UNI 8112	1		
10	3VTRS13945	WASHER D. 6X18 INX UNI 6593	2		
11	3VTRS15144	WASHER D. 6 INX GRW UNI 1751	2		
12	3VTVT15143	SCREW TE 6X16 UNI5739	2		
13	3FSVR00118	CLAMP D.94	1	05/2007	
13	3FSVR00500	CLAMP 80-100 INOX	1		04/2007
14	3TBFX00268	SUCTION HOSE D80 L=80MM	1		04/2007
14	3TBFX00312	TUBE VACUUM	1	05/2007	

Head



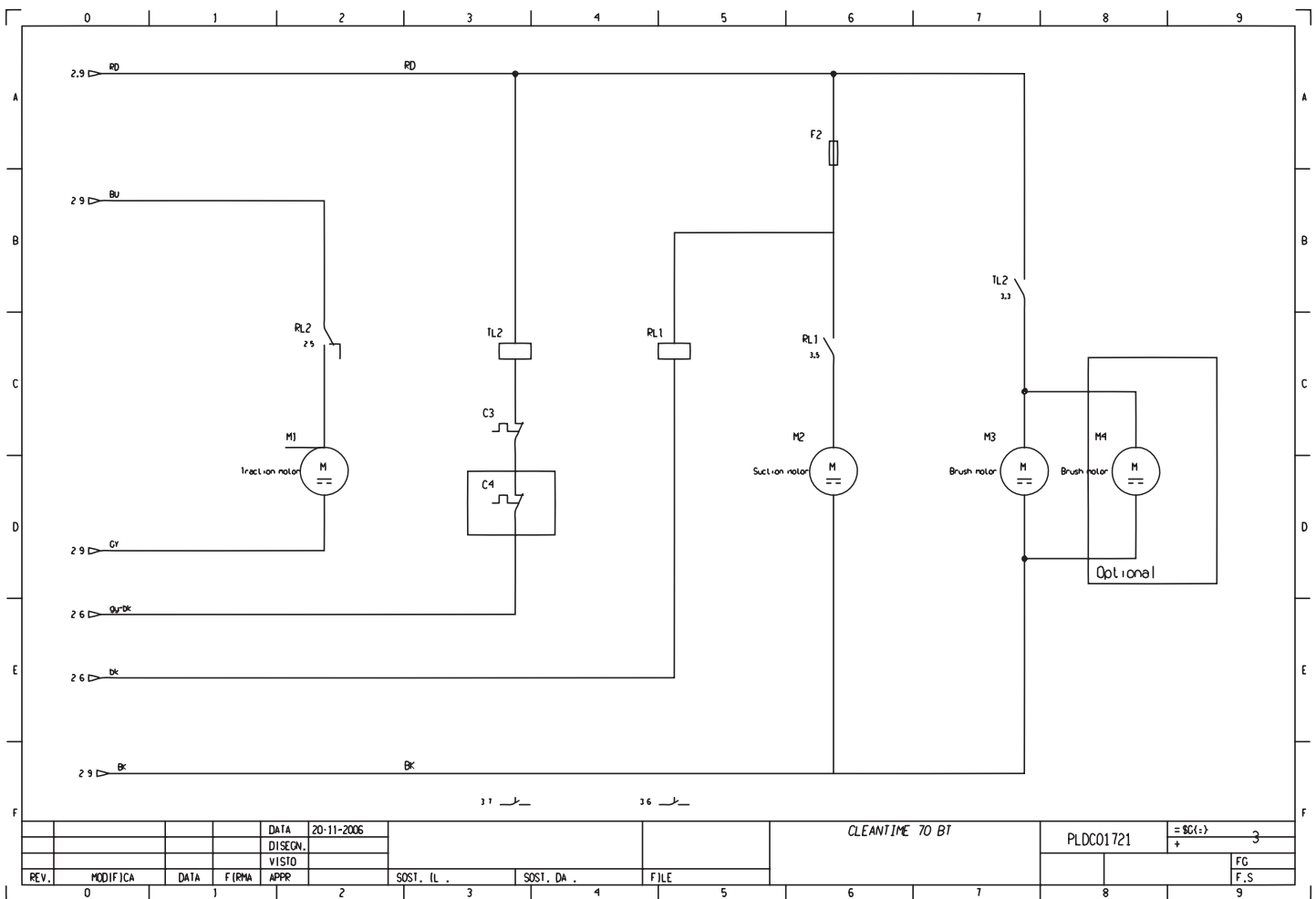
Ref.	Part N.	Description	Quantity	Validity From	Validity To
1	3VTVT15143	SCREW TE 6X16 UNI5739	4		
2	3VTDD13942	NUT M 6 UNI 5587 INX	4		
3	3VTRS15144	WASHER D. 6 INX GRW UNI 1751	18		
4	3MOCC00315	MOTOR MRP6 1/10 210G/' 24V W300	2		
5	3VTVR21944	KEY 6X6X30	2		
6	3VTVT00775	SCREW TCEI M 8X40 ZC.BK UNI5931	2		
7	3LAFN03915	BUSHING	2		
8	3RTRT43370	CASTER D.100 2V.	2		
9	3VTRS13947	WASHER D. 8 INX UNI 6592	4		
10	3VTDD15521	NUT M 8 INX A2 UNI 5588	2		
11	3LAFN09088	HEAD 70	1		
12	3VTDD01695	NUT M 8 INX	2		
13	3VTVT15906	SCREW TE 6X 12 A2 UNI 5739	14		
14	3VTVT21887	SCREW TCB-TC 4X10 8112	2		
15	3MLML00230	SPRING 70 X FLANGIA	2		09/2007
15	3MLML00231	SPRING 85 X FLANGIA	2	09/2007	
16	3MFVR00133	FLANGE TRASC. SPAZZOLA	2		
17	3MPVR35582	RUBBER LAV.	8		
20	3VTDD15518	NUT M 6 INX	9		
21	3VTRS13945	WASHER D. 6X18 INX UNI 6593	22		
22	3VTRS13946	WASHER D. 8 X24 INX UNI 6593	2		
23	3VTRS15146	WASHER D. 8 INX GRW UNI 1751	2		
24	3VTVT13938	SCREW TE 8X20 UNI5739 INX	2		
25	3LAFN07236	DISTRIBUTOR 70	1		
27	3VTDD00175	NUT M.6 .4	8		
28	3MPVR04746	FLAP	2		
29	3MPVR05207	SHEET METAL PA.FLAP	2		
30	3VTVT15143	SCREW TE 6X16 UNI5739	8		
31	3VTVT00392	SCREW M6x35 UNI5739 inox	5		
32	3MPVR05232	BUMPER -	1		

Electric Diagram 1



Ref.	Part N.	Description	Quantity	Validity From	Validity To
AP1	3MECE00465	BOARD CT40 TRAZIONATA	1		
F1	3MEVR01332	FUSE-HOLDER	1		
F2	3MEVR01332	FUSE-HOLDER	1		
L1	3MECI00516	SENSOR WATER LEVEL	1		
L2	3MECI00516	SENSOR WATER LEVEL	1		
L3	3MECI36393	MICROSWITCH TRZ. DRW	1		
L4	3MECI00334	MICROSWITCH V4	1		
M1	3MOCC00301	MOTOR AOMPDI 24V 165W 130G	1		
M2	3MOCC00253	MOTOR VACUUM.24V	1		
M3	3MOCC00315	MOTOR MRP6 1/10 210G/' 24V W300	1		
M4	3MOCC00315	MOTOR MRP6 1/10 210G/' 24V W300	1		
PE	3MECI00402	BUTTON A FUNGO	1		
PE	3MECI00403	CONTACT -	1		
RL1	3MECE00139	RELAY POTENZA 24V	1		
RL2	3MECI00005	RELAY 24V 10/20A	1		
TL1	3METT45116	CONTACTOR 24V T106 P	1		
TL2	3METT45116	CONTACTOR 24V T106 P	1		

Electric Diagram 2



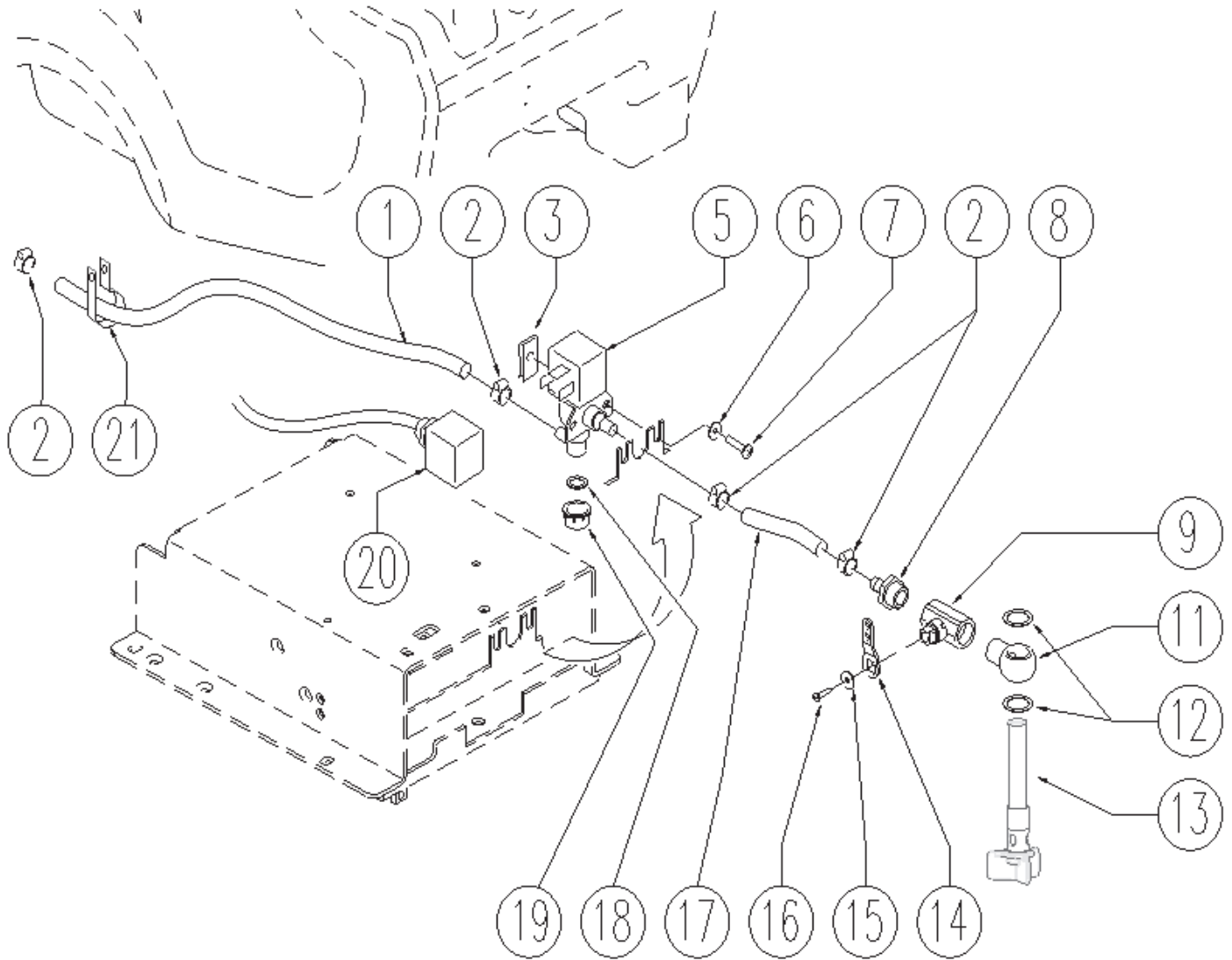
Ref.	Part N.	Description	Quantity	Validity From	Validity To
AP1	3MECE00465	BOARD CT40 TRAZIONATA	1		
F1	3MEVR01332	FUSE-HOLDER	1		
F2	3MEVR01332	FUSE-HOLDER	1		
L1	3MECI00516	SENSOR DI LIVELLO ORIZZONTALE	1		
L2	3MECI00516	SENSOR DI LIVELLO ORIZZONTALE	1		
L3	3MECI36393	MICROSWITCH TRZ. DRW	1		
L4	3MECI00334	MICROSWITCH V4	1		
M1	3MOCC00301	MOTOR AOMPDI 24V 165W 130G	1		
M2	3MOCC00253	MOTOR ASPIR.BIST.24V	1		
M3	3MOCC00315	MOTOR MRP6 1/10 210G/' 24V W300	1		
M4	3MOCC00315	MOTOR MRP6 1/10 210G/' 24V W300	1		
PE	3MECI00402	BUTTON A FUNGO	1		
PE	3MECI00403	CONTACT -	1		
RL1	3MECE00139	RELAY POTENZA 24V	1		
RL2	3MECI00005	RELAY 24V 10/20A	1		
TL1	3METT45116	CONTACTOR 24V T106 P	1		
TL2	3METT45116	CONTACTOR 24V T106 P	1		

Electric Diagram 3

0	1	2	3	4	5	6	7	8	9																																																																																																																																																
<table border="1"> <thead> <tr> <th>Sim.\Sym.</th><th>Sigla\Let.</th><th>Funzione\Use</th><th>Type</th> <th>Sim.\Sym.</th><th>Sigla\Let.</th><th>Funzione\Use</th><th>Type</th> <th>Sim.\Sym.</th><th>Sigla\Let.</th><th>Funzione\Use</th><th>Type</th> </tr> </thead> <tbody> <tr> <td></td><td>B :0G 2</td><td>24V battery</td><td></td> <td></td><td>M2 :0G 3</td><td>Suction motor</td><td></td> <td></td><td>XP2 :0G 2</td><td>On board battery charger power supply</td><td></td> </tr> <tr> <td></td><td>C1 :0G 2</td><td>Ternical control traction motor</td><td></td> <td></td><td>M3 :0G 3</td><td>Brush motor</td><td></td> <td></td><td></td><td></td><td></td> </tr> <tr> <td></td><td>C3 :0G 3</td><td>Ternical control brush motor</td><td></td> <td></td><td>M4 :0G 3</td><td>Brush motor</td><td></td> <td></td><td></td><td></td><td></td> </tr> <tr> <td></td><td>C4 :0G 3</td><td>Ternical control optional brush motor</td><td></td> <td></td><td>DC :0G 2</td><td>On board battery charger (option)</td><td></td> <td></td><td></td><td></td><td></td> </tr> <tr> <td></td><td>F1 :0G 2</td><td>Main Fuse</td><td></td> <td></td><td>PE :0G 2</td><td>On / Off key button</td><td></td> <td></td><td></td><td></td><td></td> </tr> <tr> <td></td><td>F2 :0G 3</td><td>Suction motor Fuse Suction motor fuse</td><td></td> <td></td><td>R1 :0G 2</td><td>Resistance on control board</td><td></td> <td></td><td></td><td></td><td></td> </tr> <tr> <td></td><td>L1 :0G 2</td><td>Clean H2O level switch Level switch fluid</td><td></td> <td></td><td>RL1 :0G 3</td><td>Suction motor relay Command relay on suction motor</td><td></td> <td></td><td></td><td></td><td></td> </tr> <tr> <td></td><td>L2 :0G 2</td><td>Dirty H2O level switch</td><td></td> <td></td><td>RL2 :0G 2</td><td>Traction contactor</td><td></td> <td></td><td></td><td></td><td></td> </tr> <tr> <td></td><td>L3 :0G 2</td><td>Traction enable switch</td><td></td> <td></td><td>TL1 :0G 2</td><td>Main contactor</td><td></td> <td></td><td></td><td></td><td></td> </tr> <tr> <td></td><td>L4 :0G 2</td><td>External Battery charger connector switch</td><td></td> <td></td><td>TL2 :0G 3</td><td>Brush motor contactor Brush motor contactor</td><td></td> <td></td><td></td><td></td><td></td> </tr> <tr> <td></td><td>M1 :0G 3</td><td>Traction motor</td><td></td> <td></td><td>XP1 :0G 2</td><td>External battery charger connector</td><td></td> <td></td><td></td><td></td><td></td> </tr> </tbody> </table>										Sim.\Sym.	Sigla\Let.	Funzione\Use	Type	Sim.\Sym.	Sigla\Let.	Funzione\Use	Type	Sim.\Sym.	Sigla\Let.	Funzione\Use	Type		B :0G 2	24V battery			M2 :0G 3	Suction motor			XP2 :0G 2	On board battery charger power supply			C1 :0G 2	Ternical control traction motor			M3 :0G 3	Brush motor							C3 :0G 3	Ternical control brush motor			M4 :0G 3	Brush motor							C4 :0G 3	Ternical control optional brush motor			DC :0G 2	On board battery charger (option)							F1 :0G 2	Main Fuse			PE :0G 2	On / Off key button							F2 :0G 3	Suction motor Fuse Suction motor fuse			R1 :0G 2	Resistance on control board							L1 :0G 2	Clean H2O level switch Level switch fluid			RL1 :0G 3	Suction motor relay Command relay on suction motor							L2 :0G 2	Dirty H2O level switch			RL2 :0G 2	Traction contactor							L3 :0G 2	Traction enable switch			TL1 :0G 2	Main contactor							L4 :0G 2	External Battery charger connector switch			TL2 :0G 3	Brush motor contactor Brush motor contactor							M1 :0G 3	Traction motor			XP1 :0G 2	External battery charger connector					
Sim.\Sym.	Sigla\Let.	Funzione\Use	Type	Sim.\Sym.	Sigla\Let.	Funzione\Use	Type	Sim.\Sym.	Sigla\Let.	Funzione\Use	Type																																																																																																																																														
	B :0G 2	24V battery			M2 :0G 3	Suction motor			XP2 :0G 2	On board battery charger power supply																																																																																																																																															
	C1 :0G 2	Ternical control traction motor			M3 :0G 3	Brush motor																																																																																																																																																			
	C3 :0G 3	Ternical control brush motor			M4 :0G 3	Brush motor																																																																																																																																																			
	C4 :0G 3	Ternical control optional brush motor			DC :0G 2	On board battery charger (option)																																																																																																																																																			
	F1 :0G 2	Main Fuse			PE :0G 2	On / Off key button																																																																																																																																																			
	F2 :0G 3	Suction motor Fuse Suction motor fuse			R1 :0G 2	Resistance on control board																																																																																																																																																			
	L1 :0G 2	Clean H2O level switch Level switch fluid			RL1 :0G 3	Suction motor relay Command relay on suction motor																																																																																																																																																			
	L2 :0G 2	Dirty H2O level switch			RL2 :0G 2	Traction contactor																																																																																																																																																			
	L3 :0G 2	Traction enable switch			TL1 :0G 2	Main contactor																																																																																																																																																			
	L4 :0G 2	External Battery charger connector switch			TL2 :0G 3	Brush motor contactor Brush motor contactor																																																																																																																																																			
	M1 :0G 3	Traction motor			XP1 :0G 2	External battery charger connector																																																																																																																																																			
<table border="1"> <thead> <tr> <th>REV.</th><th>MODIFICA</th><th>DATA</th><th>FIRMA</th><th>APPR.</th><th>DATA</th><th>SOST. IL :</th><th>SOST. DA</th><th>FILE :</th><th>PLDC01721</th><th>= 8G(+) 4</th><th>FG</th><th>F.S.</th> </tr> </thead> <tbody> <tr> <td></td><td></td><td></td><td></td><td></td><td>20-11-2006</td><td></td><td></td><td></td><td></td><td></td><td></td><td></td> </tr> <tr> <td colspan="10"></td><td colspan="2">CLEANTIME 70 BT</td><td></td> </tr> </tbody> </table>										REV.	MODIFICA	DATA	FIRMA	APPR.	DATA	SOST. IL :	SOST. DA	FILE :	PLDC01721	= 8G(+) 4	FG	F.S.						20-11-2006																		CLEANTIME 70 BT																																																																																																											
REV.	MODIFICA	DATA	FIRMA	APPR.	DATA	SOST. IL :	SOST. DA	FILE :	PLDC01721	= 8G(+) 4	FG	F.S.																																																																																																																																													
					20-11-2006																																																																																																																																																				
										CLEANTIME 70 BT																																																																																																																																															

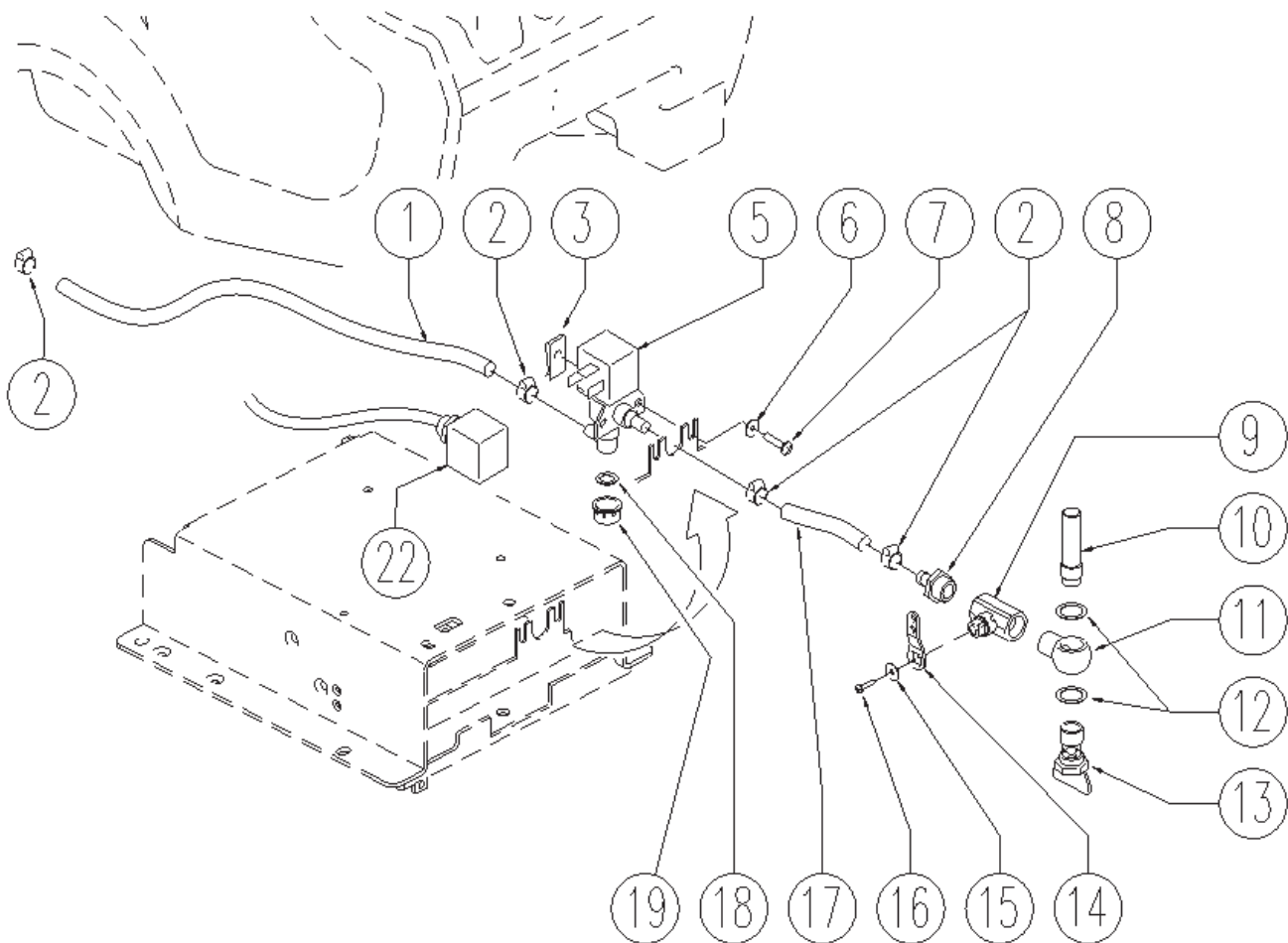
Ref.	Part N.	Description	Quantity	Validity From	Validity To
AP1	3MECE00465	BOARD CT40 TRAZIONATA	1		
F1	3MEVR01332	FUSE-HOLDER	1		
F2	3MEVR01332	FUSE-HOLDER	1		
L1	3MECI00516	SENSOR DI LIVELLO ORIZZONTALE	1		
L2	3MECI00516	SENSOR DI LIVELLO ORIZZONTALE	1		
L3	3MECI36393	MICROSWITCH TRZ. DRW	1		
L4	3MECI00334	MICROSWITCH V4	1		
M1	3MOCC00301	MOTOR AOMPDI 24V 165W 130G	1		
M2	3MOCC00253	MOTOR ASPIR.BIST.24V	1		
M3	3MOCC00315	MOTOR MRP6 1/10 210G/' 24V W300	1		
M4	3MOCC00315	MOTOR MRP6 1/10 210G/' 24V W300	1		
PE	3MECI00402	BUTTON A FUNGO	1		
PE	3MECI00403	CONTACT -	1		
RL1	3MECE00139	RELAY POTENZA 24V	1		
RL2	3MECI00005	RELAY 24V 10/20A	1		
TL1	3METT45116	CONTACTOR 24V T106 P	1		
TL2	3METT45116	CONTACTOR 24V T106 P	1		

Solenoid Valve (from 07/2007)



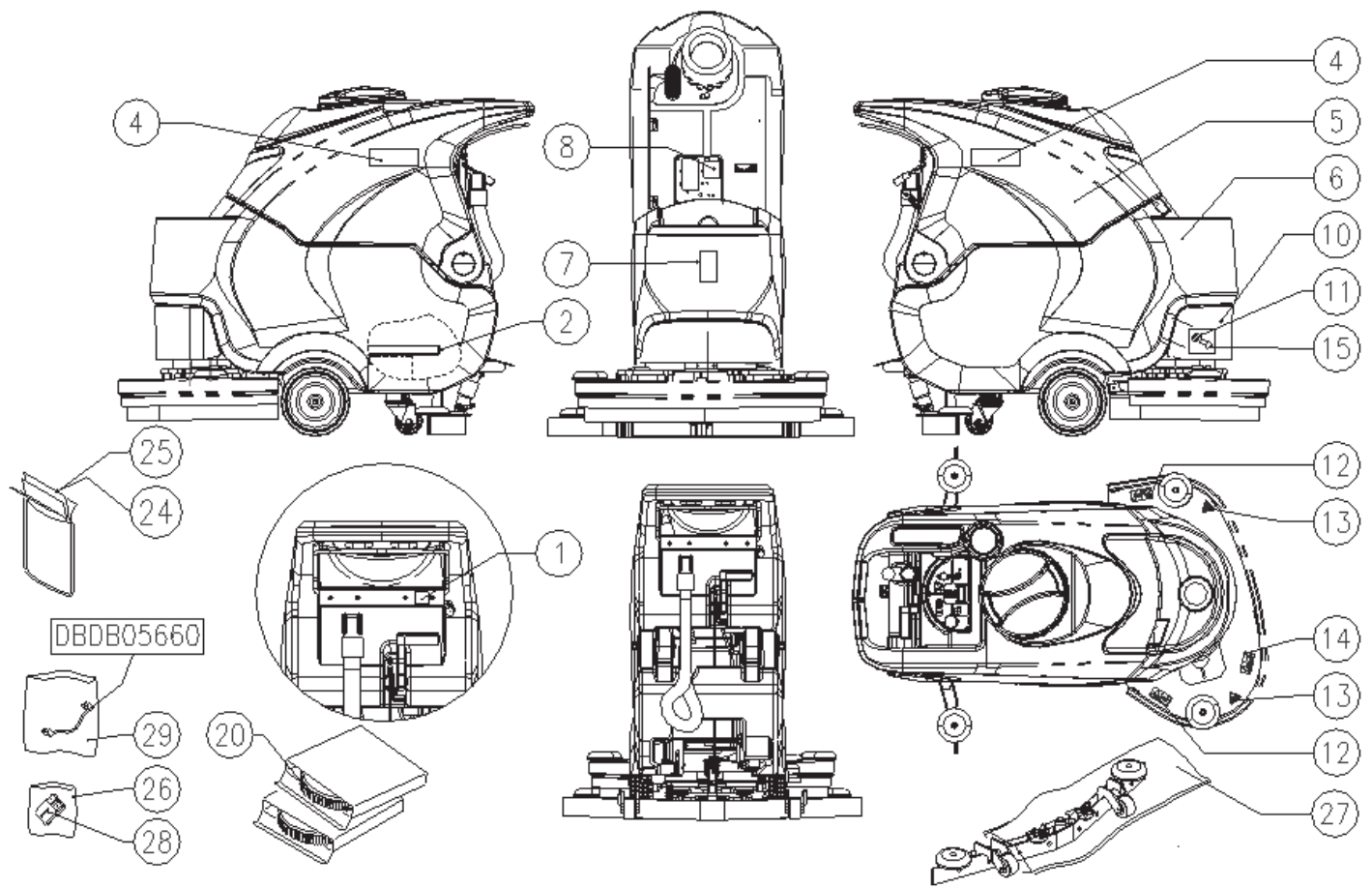
Ref.	Part N.	Description	Quantity	Validity From	Validity To
1	3TBFX00308	TUBE L=580MM	1		
2	3FSVR00091	CLAMP 14-24	4		
3	3MLML00002	SPRING PRESTOLA DOPPIA 8P	2		
4	3VTRS00515	WASHER D. 4 INX	2		
5	3MEEV00018	SOLENOID VALVE	1		
6	3VTRS00516	WASHER D. 5 INX	2		
7	3VTVT48694	SCREW TCB TC 5 X12 UNI 9707 TZ	2		
8	3RCVR00536	CONNECTOR PORTAG.	1		
9	3RCGR00065	TAP F/F 1/2"	1		
11	3RCDS49622	CONNECTOR OCC 1/2 - 1/2M	1		
12	3VTRS00142	WASHER BONDER 1/2"	2		
13	3MPVR05221	FILTER COMPLETO	1		
14	3LAFN05902	LEVER RUBINETTO	1		
15	3VTRS00251	WASHER 4-16 INOX A2	1		
16	3VTVT01316	SCREW TC+ M3-16	1		
17	3TBFX00309	TUBE FLEX D.10X3 L=155MM	1		
18	3GUGO00268	GASKET D.21 SP.3 GOMMA	1		
19	3RCVR00353	CAP 1/2"G X ELETTROV. ACL	1		
20	3MECB00916	WIRING ELETTROVALVOLA	1		

Solenoid Valve (to 07/2007)



Ref.	Part N.	Description	Quantity	Validity From	Validity To
1	3TBFX00308	TUBE L=580MM	1		
2	3FSVR00091	CLAMP 14-24	4		
3	3MLML00002	SPRING PRESTOLA DOPPIA 8P	2		
4	3VTRS00515	WASHER D. 4 INX	2		
5	3MEEV00018	SOLENOID VALVE	1		
6	3VTRS00516	WASHER D. 5 INX	2		
7	3VTVT48694	SCREW TCB TC 5 X12 UNI 9707 TZ	2		
8	3RCVR00536	CONNECTOR PORTAG.	1		
9	3RCGR00065	TAP F/F 1/2"	1		
10	3FTAC00036	FILTER IN RETE	1		
11	3RCDS49622	CONNECTOR OCC 1/2 - 1/2M	1		
12	3VTRS00142	WASHER BONDER 1/2"	2	04/2007	
12	3GUVR00213	WASHER GOMMA	2		04/2007
13	3RCDS00026	SCREW -	1		
14	3LAFN05902	LEVER RUBINETTO	1		
15	3VTRS00251	WASHER 4-16 INOX A2	1		
16	3VTVT01316	SCREW TC+ M3-16	1		
17	3TBFX00309	TUBE FLEX D.10X3 L=155MM	1		
18	3GUGO00268	GASKET D.21 SP.3 GOMMA	1		
19	3RCVR00353	CAP 1/2"G X ELETTR. ACL	1		
22	3MECB00916	WIRING ELETTR. VALVOLA	1		

Tank Assembly



Ref.	Part N.	Description	Quantity	Validity From	Validity To
1	3ETET01447	LABEL	1		
2	3LAFN35588	BATTERY SUPPORTLAV. BT	1		
5	3MPVR04990	TANK RECUPERO CT70	1		
6	3MPVR05251	TANK SOLUZIONE CT70	1		
8	3ETET00763	LABEL SIMBOLO FUSIBILI	1		
10	3MPVR05209	COVER 60-70	1		
11	3VTRS00516	WASHER D. 5 INX	4		
12	3ETET00906	ADHESIVE SIMBOLO PERICOLO DI ABRAS	2		
13	3ETET00897	ADHESIVE SIMBOLO PERICOLO	2		
14	3ETET00898	ADHESIVE SIMBOLO SCHIACCIAMENTO	1		
15	3VTVT15961	SCREW M 5X 16 TCB TC UNI 7687	4		
20	3SPPV47749	BRUSH NYLON 0.8 D.340 BT 7000	2		
24	3PLDC01602	INSTR.MANUAL CLEAN TIME 350	1		
26	3MIVR00072	ENVELOPE PLASTICA TRASP.	1		
27	3MIVR00048	TUBE UNIBOL	1		
28	3MEVR01079	PLUG M CB50 A 600V RD.	1		
29	3MIVR00064	ENVELOPE PORTA CABLAGGI	1		