

Parts Manual Manuel de pièces



Hurricane 700 XTT

Automatic Scrubber
Code: 19323

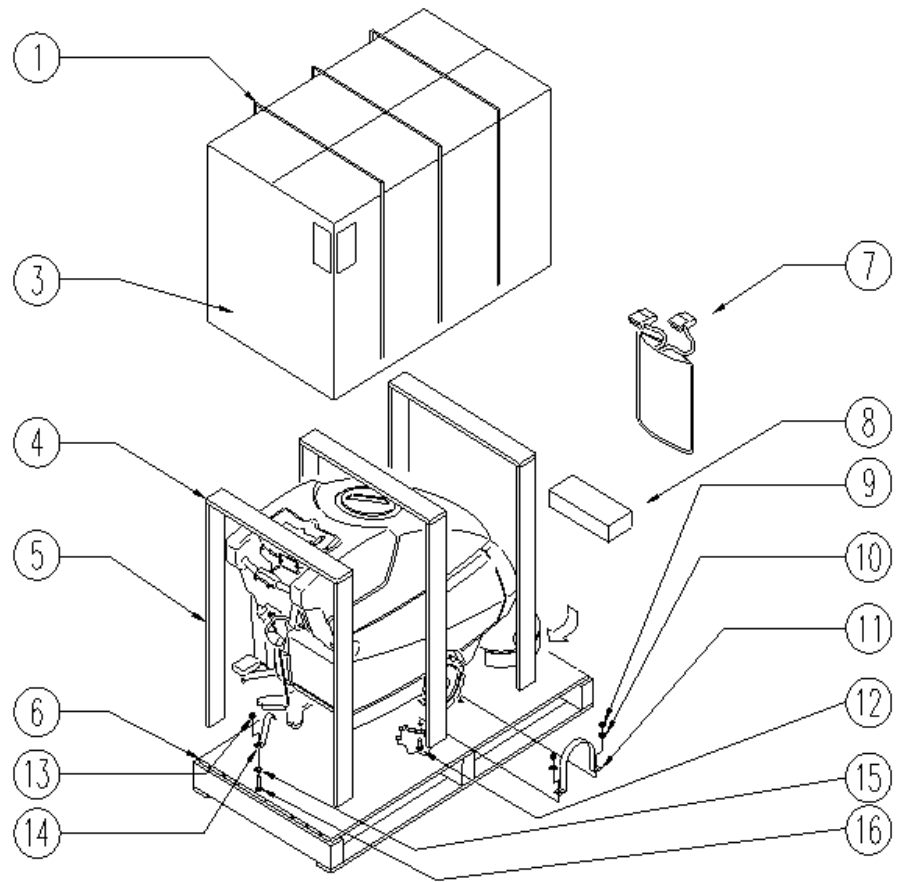
Serial #: _____

Date of Purchase: _____

More info : www.dustbane.ca

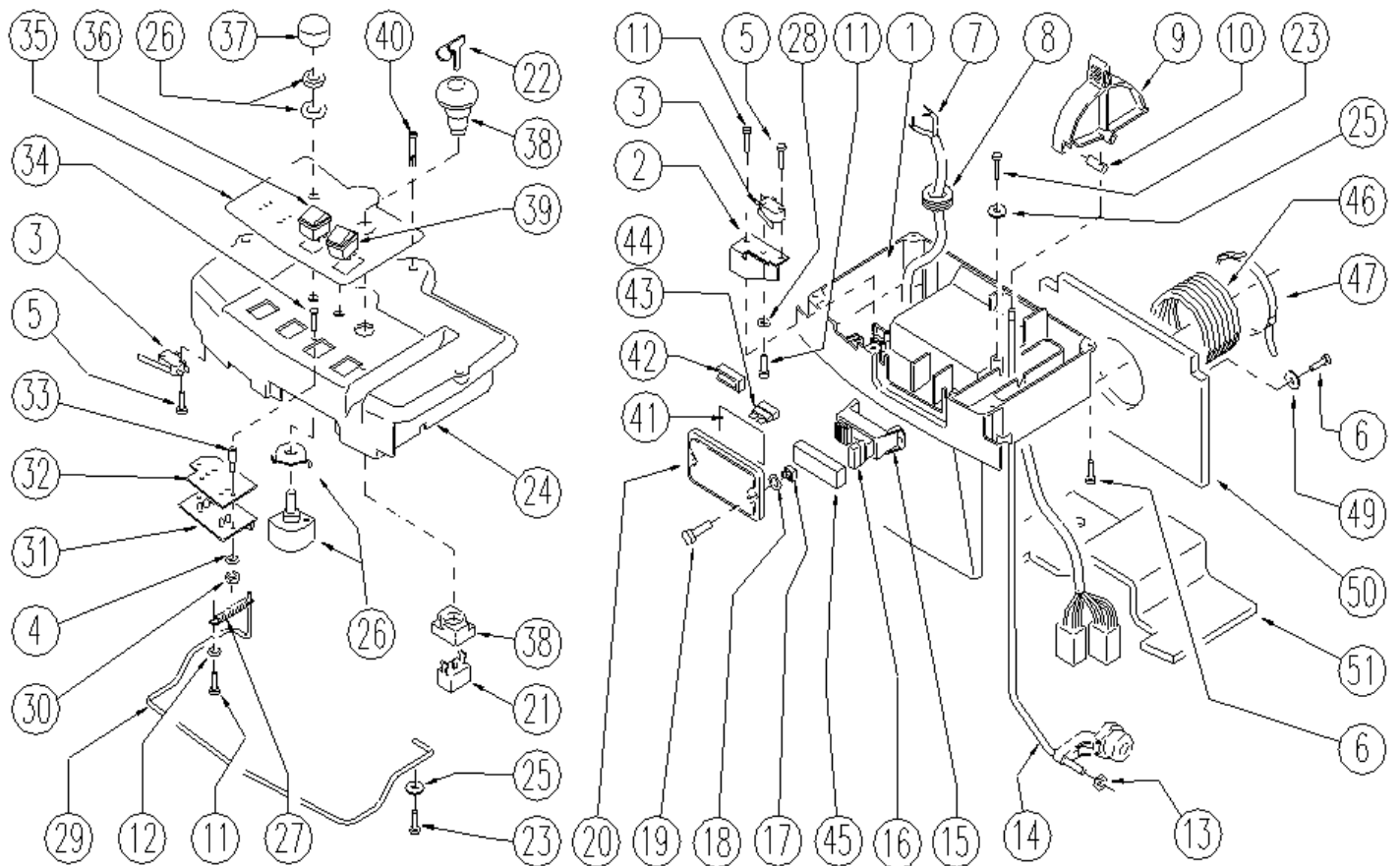
11-2012

Packing



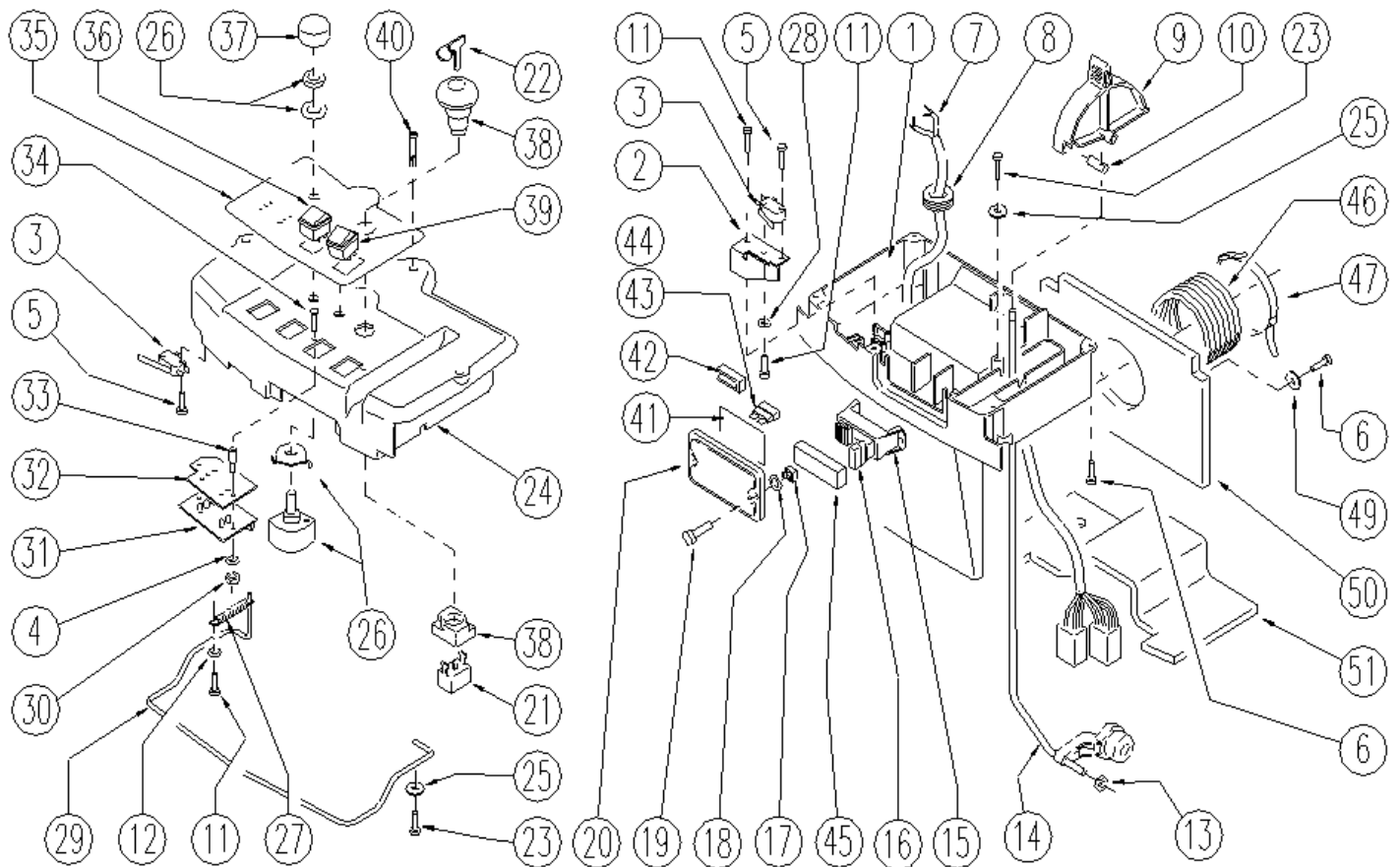
Ref.	Part N.	Description	Quantity	Validity From	Validity To
	3MISC00010	SACK 2500X16000	1	Dec-02	
1	3MPVR02139	STRAP IN POLIPROP. 15X0.80 MM	3		
3	3MICT00127	CARTON IMBALLO	1	Dec-02	
4	3MIVR00092	LATH LEGNO	3	Dec-02	
5	3MIVR00102	LATH LEGNO VERT.	6	Dec-02	
6	3MIBA00071	PALLET	1	Dec-02	
7	3MEVR34820	WIRING B 450 BT	3	Dec-02	
8	3MIVR00110	POLYSTYRENE TESTATA	1	Dec-02	
9	3VTDD00124	NUT M 8 BASSO	4	Dec-02	
10	3VTRS00294	WASHER D. 8	4	Dec-02	
11	3LAFN05651	BRACKET IMBALLO	2	Dec-02	
12	3VTVT00635	SCREW	4	Dec-02	
13	3VTDD01695	NUT M 8 INX	1	Dec-02	
14	3LAFN05729	BRACKET IMBALLO	1	Dec-02	
15	3VTRS00293	WASHER D. 8-24	1	Dec-02	
16	3VTVT00733	SCREW TE M. 8.75	1	Dec-02	

Electric. Instal.



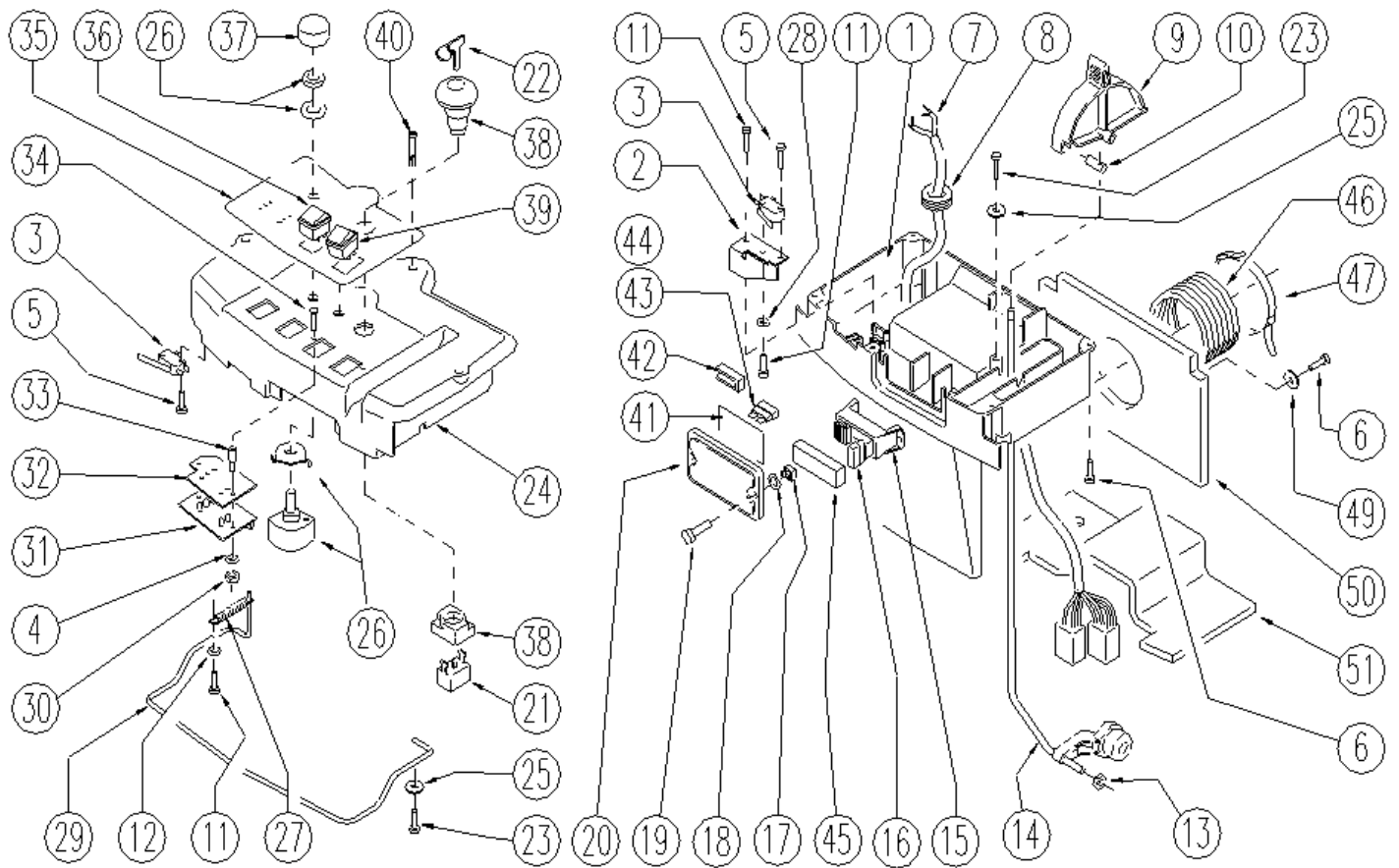
Ref.	Part N.	Description	Quantity	Validity From	Validity To
1	3MPVR03843	PANEL COMANDI INFER.	1		
2	3LAFN05615	SPRING LEVA ANTISCH./SUPP. MICRO	1	Mar-04	
3	3MECI00310	MICROSWITCH	3	Mar-04	
4	3VTRS00268	WASHER D.3	2	Mar-04	
5	3VTVT00744	SCREW	6	Mar-04	
6	3VTVT28553	SCREW TCB-TC 3.5X16	6	Mar-04	
7	3MECB00773	CABLE PANNELLO COMANDI	1		
8	3MEVR01331	FAIR-LEAD PVC	1	Mar-04	
9	3MPVR03845	LEVER REGOLAZ.	1	Mar-04	
10	3LAFN05103	ARTICULATION SUPERIORE	1	Mar-04	
11	3VTVT00820	SCREW TC+ M.3,5-10	5	Mar-04	
12	3VTRS15958	WASHER D. 5 X15 UNI 6593	1	Mar-04	
13	3VTDD00157	NUT M. 6 DIN 985 ZN	1		
14	3LAFN05645	ROD SUPERIORE RUBINETTO	1		
15	3MEVR01387	BODY SENZA TERMINALI	1	Mar-04	
16	3MEVR01132	FUSE A LAMA 5 A.	4	Mar-04	
17	3VTDD00167	NUT M.6	2	Mar-04	
18	3GUGO00150	NUT	4	Mar-04	

Electric. Instal.



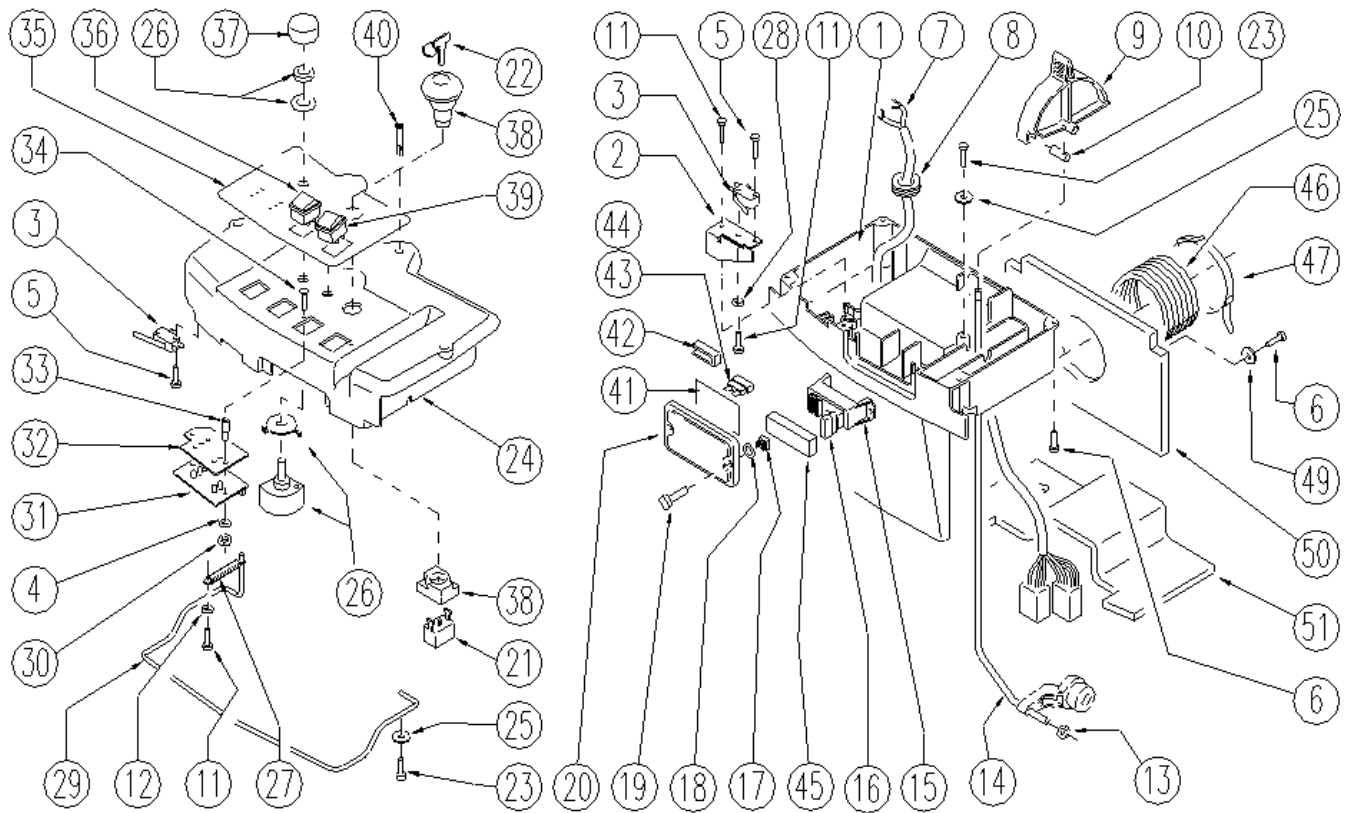
Ref.	Part N.	Description	Quantity	Validity From	Validity To
19	3VTVT00858	SCREW 6X20	2	Mar-04	
20	3MPVR35628	COVER LAV.	1	Mar-04	
21	3MECI00403	CONTACT -	1		
22	3CHVR00051	DIASASS.SPANNERPULSANTE FUNGO	1		
23	3VTVT07859	SCREW TCB-TC 3.5X13 UNI6954	2		
24	3MPVR03841	PANEL COMANDI SUPER.	1		
25	3VTRS13750	WASHER D. 5X14 INX	2		
26	3MEVR01432	POTENTIOMETER A FILO	1	Mar-04	
27	3MLML00196	SPRING PER GIUNTO HS NADIR	1	Mar-04	
28	3VTRS00501	WASHER D. 4 0.232 UNI 6592	1	Mar-04	
29	3LAFN05584	LEVER TRAZIONE	1	Mar-04	
30	3VTDD21115	NUT M 3 INOX	2	Mar-04	
31	3MECE00345	BOARD LED INGR.POTENZ.+RESET	1		
32	3MPVR02781	PLATE LED	1	Mar-04	
33	3LAFN04047	SPACER X SCHEDE M3 15x8x8	2	Mar-04	
34	3VTVT00865	SCREW TSP-TC M 3X 6 UNI7688 INX	2	Mar-04	
35	3ETET01263	LABEL PANN.COMANDI	1	Mar-04	
36	3MECI46638	COMMUTAT.SWITCH0.CT. 0401/C2	1	Mar-04	

Electric. Instal.



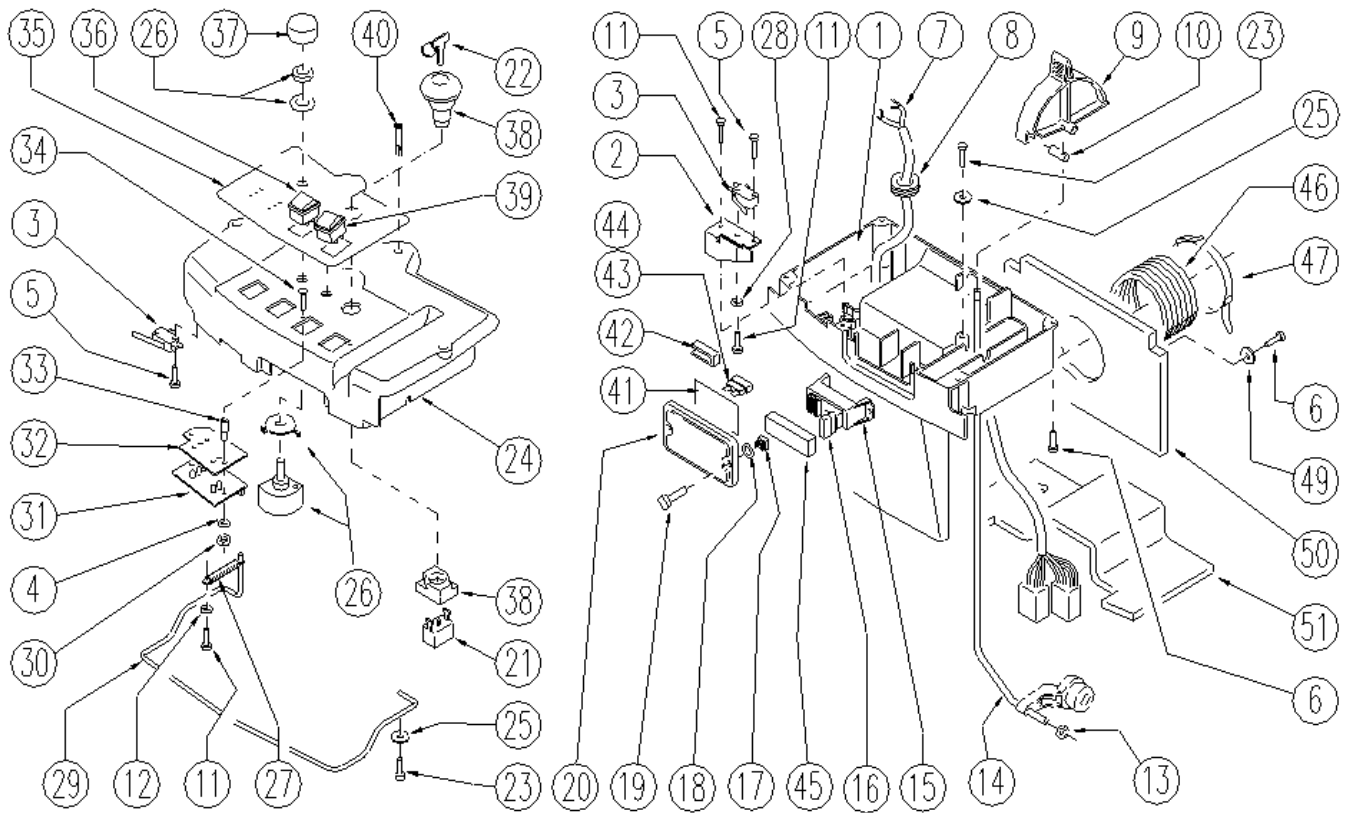
Ref.	Part N.	Description	Quantity	Validity From	Validity To
37	3MPVR36404	KNOB SPECTROL 635M.NE	1		
38	3MECI00323	BUTTON FUNGO	1		
39	3MECI00309	SWITCH	1	Mar-04	
40	3MPVR02940	KLIP D. 6,5 L=15	1		
41	3ETET01328	LABEL AVVERTENZA FUSIBILI	1	Mar-04	
42	3MEVR01153	FUSE FUSIBILI	1	Mar-04	
43	3MEVR01316	FUSE A LAMA 10 A. 32V	1	Mar-04	
44	3MEVR01380	FUSE A LAMA	1	Mar-04	
45	3MEVR01383	COVER PVC TRASP.	1	Mar-04	
46	3TBBP00225	TUBE D 80-320 MM	1	Mar-04	
47	3FSVR00083	CLAMP 62-82	1	Mar-04	
49	3VTRS00291	WASHER D. 5 X20 ZC UNI 6593	2		
50	3ITSO00031	SOUND-PROOFING PARETE POST. PANN.COM.SK	1		
51	3ITSO00032	SOUND-PROOFING PARETE INFER.PANN.COM.SK	1	Mar-04	

Control Board from 03/2005



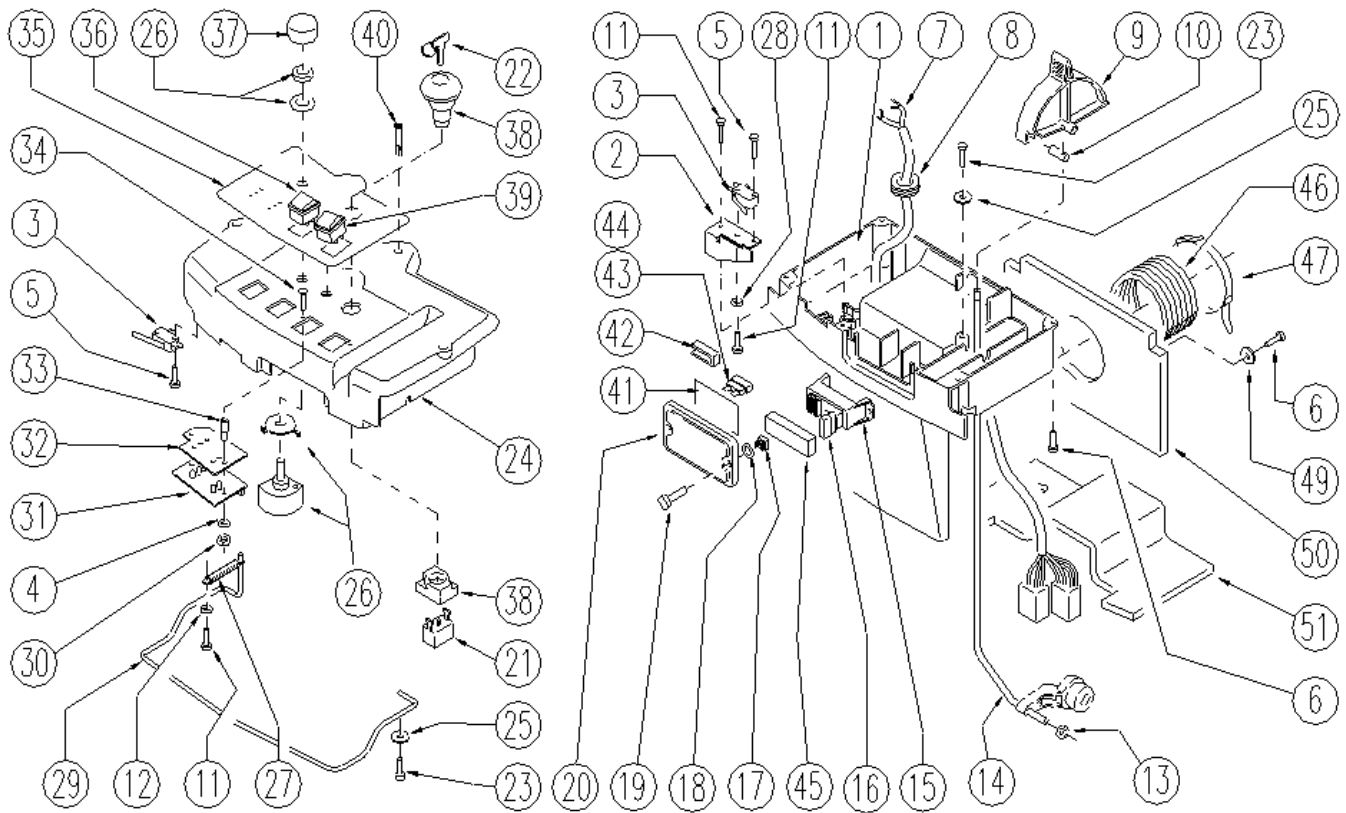
Ref.	Part N.	Description	Quantity	Validity From	Validity To
1	3MPVR03843	PANEL COMANDI INFER.	1		
2	3LAFN05615	SPRING LEVA ANTISCH./SUPP. MICRO	1	Jun-04	
3	3MECI00310	MICROSWITCH	3	Jun-04	
4	3VTRS00268	WASHER D.3	2	Jun-04	
5	3VTVT00744	SCREW	6	Jun-04	
6	3VTVT28553	SCREW TCB-TC 3.5X16	6	Jun-04	
7	3MECB00773	CABLE PANNELLO COMANDI	1		
8	3MEVR01331	FAIR-LEAD PVC	1	Jun-04	
9	3MPVR03845	LEVER REGOLAZ.	1	Jun-04	
10	3LAFN05103	ARTICULATION SUPERIORE	1	Jun-04	
11	3VTVT00820	SCREW TC+ M.3,5-10	5	Jun-04	
12	3VTRS15958	WASHER D. 5 X15 UNI 6593	1	Jun-04	
13	3VTDD00157	NUT M. 6 DIN 985 ZN	1		
14	3LAFN05645	ROD SUPERIORE RUBINETTO	1		
15	3MEVR01387	BODY SENZA TERMINALI	1	Jun-04	
16	3MEVR01132	FUSE A LAMA 5 A.	4	Jun-04	
17	3VTDD00167	NUT M.6	2	Jun-04	
18	3GUGO00150	NUT	4	Jun-04	

Control Board from 03/2005



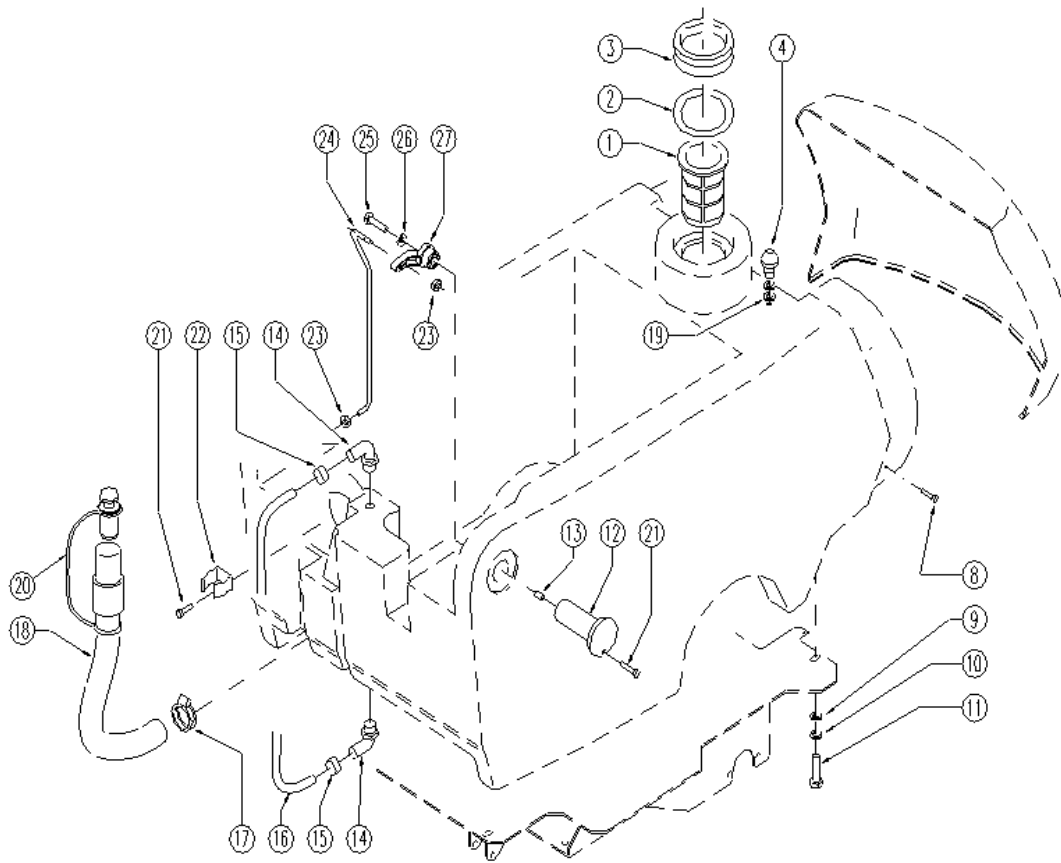
Ref.	Part N.	Description	Quantity	Validity From	Validity To
19	3VTVT00858	SCREW 6X20	2	Jun-04	
20	3MPVR35628	COVER LAV.	1	Jun-04	
21	3MECI00403	CONTACT -	1		
22	3CHVR00051	DIASASS.SPANNERPULSANTE FUNGO	1		
23	3VTVT07859	SCREW TCB-TC 3.5X13 UNI6954	2		
24	3MPVR03841	PANEL COMANDI SUPER.	1		
25	3VTRS13750	WASHER D. 5X14 INX	2		
26	3MEVR01432	POTENTIOMETER A FILO	1	Jun-04	
27	3MLML00196	SPRING PER GIUNTO HS NADIR	1	Jun-04	
28	3VTRS00501	WASHER D. 4 0.232 UNI 6592	1	Jun-04	
29	3LAFN05584	LEVER TRAZIONE	1	Jun-04	
30	3VTDD21115	NUT M 3 INOX	2	Jun-04	
31	3MECE00346	BOARD LED	1		
32	3MPVR02781	PLATE LED	1	Jun-04	
33	3LAFN04047	SPACER X SCHEDE M3 15x8x8	2	Jun-04	
34	3VTVT00865	SCREW TSP-TC M 3X 6 UNI7688 INX	2	Jun-04	
35	3ETET01263	LABEL PANN.COMANDI	1	Jun-04	
36	3MECI46638	COMMUTAT.SWITCH0.CT. 0401/C2	1	Jun-04	

Control Board from 03/2005



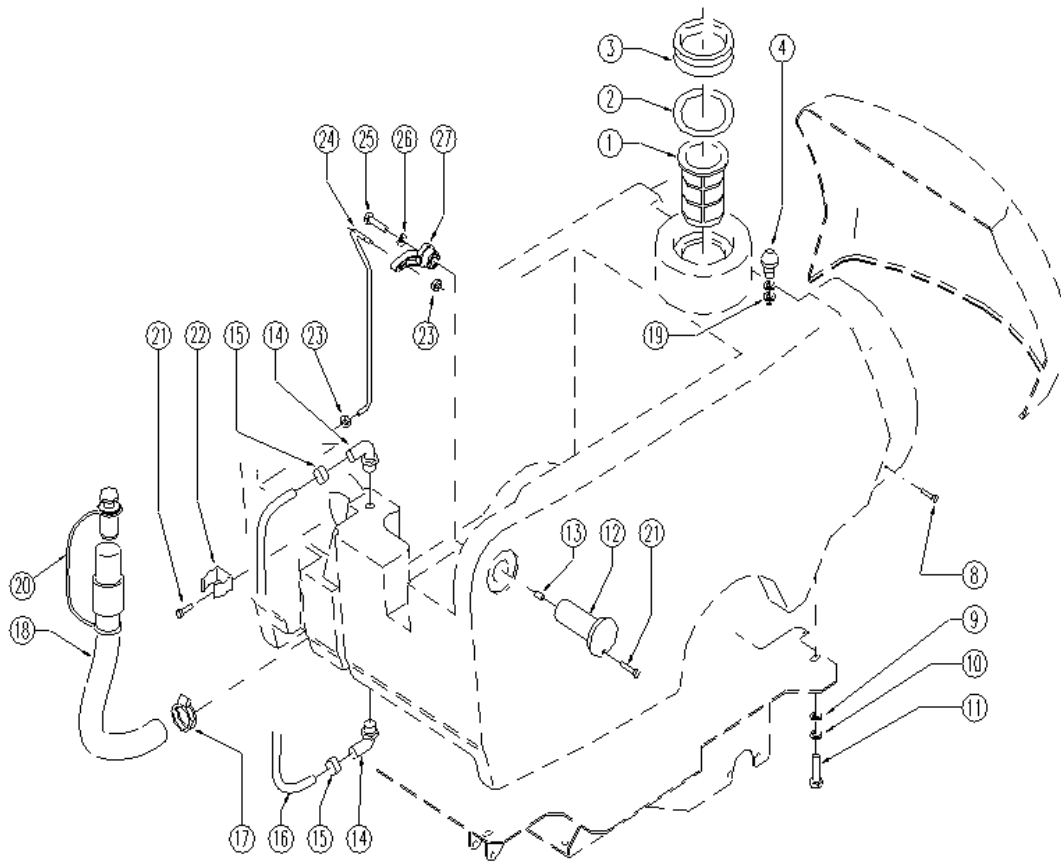
Ref.	Part N.	Description	Quantity	Validity From	Validity To
37	3MPVR36404	KNOB SPECTROL 635M.NE	1	Jun-04	
38	3MECI00323	BUTTON FUNGO	1		
39	3MECI00309	SWITCH	1	Jun-04	
40	3MPVR02940	KLIP D. 6,5 L=15	1	Jun-04	
41	3ETET01328	LABEL AVVERTENZA FUSIBILI	1	Jun-04	
42	3MEVR01153	FUSE FUSIBILI	1	Jun-04	
43	3MEVR01316	FUSE A LAMA 10 A. 32V	1	Jun-04	
44	3MEVR01380	FUSE A LAMA	1	Jun-04	
45	3MEVR01383	COVER PVC TRASP.	1	Jun-04	
46	3TBBP00225	TUBE D 80-320 MM	1		
47	3FSVR00083	CLAMP 62-82	1		
49	3VTRS00291	WASHER D. 5 X20 ZC UNI 6593	2	Jun-04	
50	3ITSO00031	SOUND-PROOFING PARETE POST. PANN.COM.SK	1	Jun-04	
51	3ITSO00032	SOUND-PROOFING PARETE INFER.PANN.COM.SK	1	Jun-04	

Water Tank



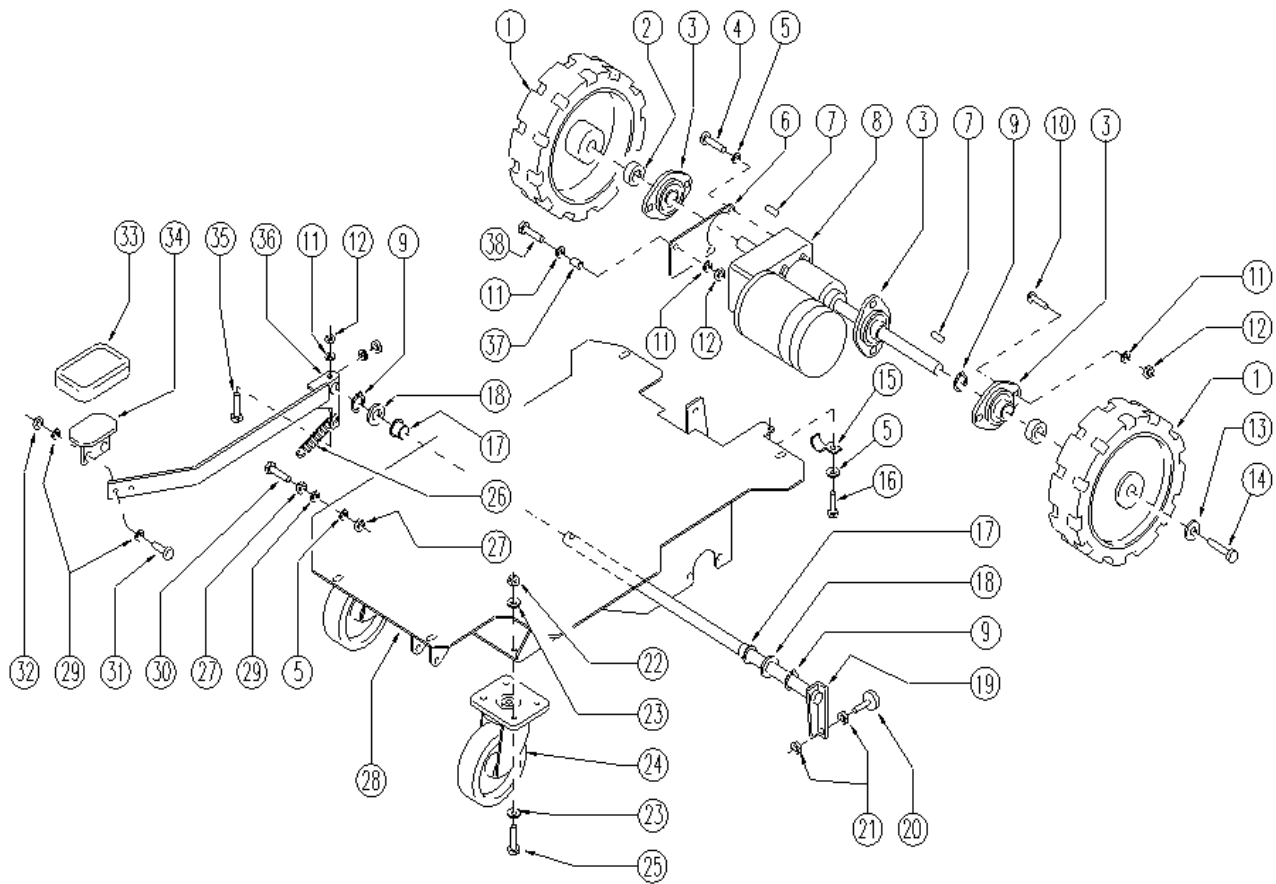
Ref.	Part N.	Description	Quantity	Validity From	Validity To
1	3FTAC48857	FILTER ASP. ACQUA SERB. LAVAP.	1	Dec-02	
2	3GUVR48858	GASKET SRB.SHK	1	Dec-02	
3	3GUVR48859	GASKET SHK	1	Dec-02	
4	3LAFN04044	PIN APERTURA SERBATOIO	1	Dec-02	
8	3VTVT00874	SCREW TTL INTAGLIO M. 5-10	4	Dec-02	
9	3VTRS15524	WASHER D.10	4	Dec-02	
10	3VTRS15909	WASHER D.10	4	Dec-02	
11	3VTVT00455	SCREW TE 10X20 UNI5739	4	Dec-02	
12	3MPVR48695	PIN SHK.BK	2	Dec-02	
13	3VTVR48693	INSERT M6 D.9	1	Dec-02	
14	3RCVR45752	HOSE FITTING "L" 3/8M - D.10 PLS.	2	Dec-02	
15	3FSVR00096	CLAMP 10-16 INOX	2	Dec-02	
16	3TBBP00202	TUBE D 10 L=420 MM	1	Dec-02	
17	3FSVR43136	CLAMP D. 35-40 DF.	1	Dec-02	
18	3TBFX00208	TUBE DI SCARICO	1	Dec-02	
19	3VTRS15523	WASHER D.10 X21 INOX UNI 6592	2		
20	3MPVR05064	CAP COMPLETO	1		
21	3VTVT48694	SCREW TCB TC 5 X12 UNI 9707 TZ	4	Dec-02	

Water Tank



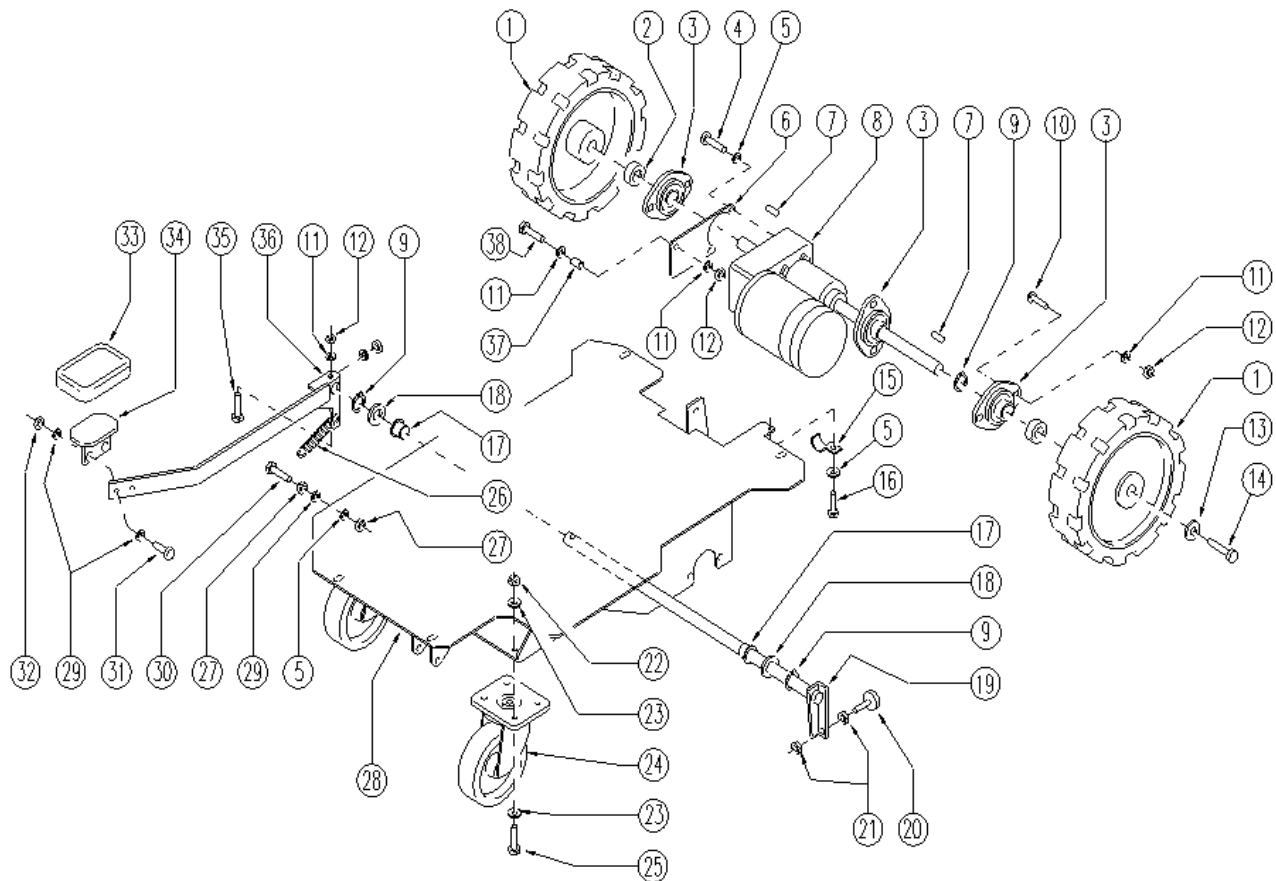
Ref.	Part N.	Description	Quantity	Validity From	Validity To
22	3MPVR46988	CLIP LAV. SHK	1	Dec-02	
23	3VTDD15518	NUT M 6 INX	2	Dec-02	
24	3LAFN05609	ROD INFERIORE RUBINETTO	1	Dec-02	
25	3VTVT15906	SCREW TE 6X 12 A2 UNI 5739	1	Dec-02	
26	3VTRS00239	WASHER D.6-18	1	Dec-02	
27	3MPVR49471	LEVER SHK	1	Dec-02	

Frame



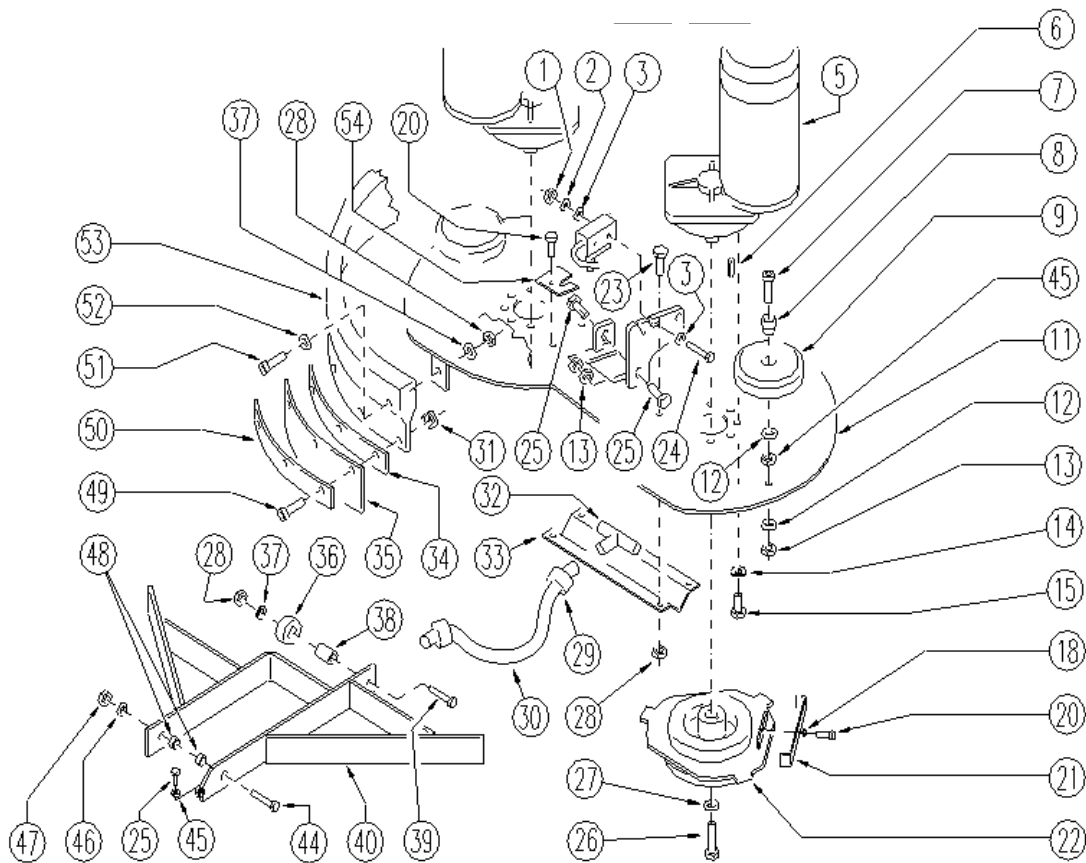
Ref.	Part N.	Description	Quantity	Validity From	Validity To
1	3RTRT00294	WHEEL D.250X60	2	Dec-02	
2	3LAFN05311	SPACER X CUSCINETTO	2	Dec-02	
3	3CUVR00105	SUPPORT	3	Dec-02	
4	3VTVT15143	SCREW TE 6X16 UNI5739	2	Dec-02	
5	3VTRS15144	WASHER D. 6 INX GRW UNI 1751	4	Dec-02	
6	3LAFN05617	PLATE FISSAGGIO MOTORE TRAZIONE	1	Dec-02	
7	3VTVR33668	KEY 6x 6x40 UNI 6604A	2	Dec-02	
8	3MEVR34441	BRUSH MOTOR CC7X14X19 200/400W	4		
8	3MOCC00235	MOTOR.GEARBOX TRAZIONE CABLATO	1	Dec-02	
9	3VTAE00050	RING D'ARRESTO ALBERO	3	Dec-02	
10	3VTVT00842	SCREW	6	Dec-02	
11	3VTRS13947	WASHER D. 8 INX UNI 6592	9	Dec-02	
12	3VTDD01695	NUT M 8 INX	7		
13	3VTRS00278	WASHER D.8X32 ZINC.BIANCA 6593	2		
14	3VTVT00779	SCREW TBEI M.8-16	2	Dec-02	
15	3FSVR00104	CLAMP XTUBO RIGIDO	1	Dec-02	
16	3VTVT15906	SCREW TE 6X 12 A2 UNI 5739	1	Dec-02	
17	3CUVR44348	BUSHING CB 85 2010 31T	2	Dec-02	
18	3VTRS00287	WASHER D20 ZINCATA BIA.UNI 6592	2	Dec-02	

Frame



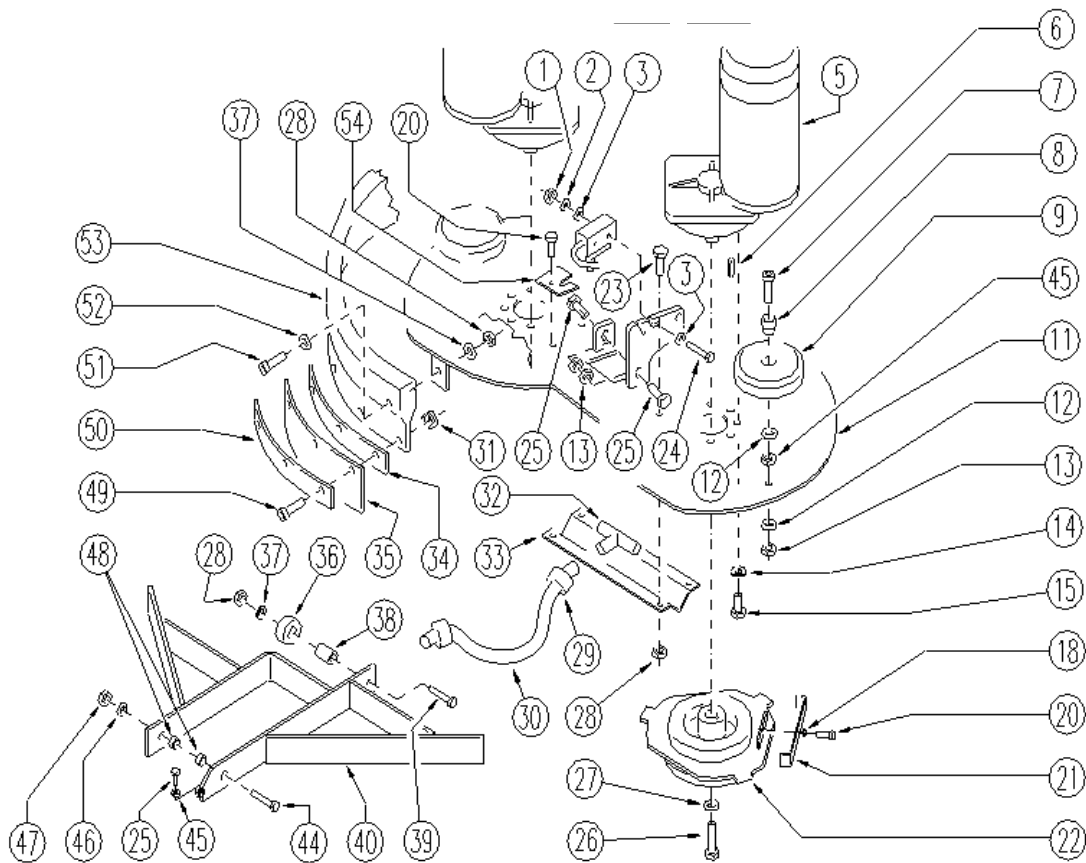
Ref.	Part N.	Description	Quantity	Validity From	Validity To
19	3LAFN05840	AXLE FRENO	1	Jun-03	
20	3MPVR04162	CAP FRENO	2	Dec-02	
21	3VTDD15521	NUT M 8 INX A2 UNI 5588	4	Dec-02	
22	3VTDD00042	NUT AUT.M10 UNI7474	8	Dec-02	
23	3VTRS00236	WASHER D.10 UNI 6592 ZINC. PIANA	16	Dec-02	
24	3RTRT49041	TURNING WHEEL D.125 BNDT	2	Dec-02	
25	3VTVT03640	SCREW TE 10X25 UNI5740	8	Dec-02	
26	3MLML00147	SPRING	1	Dec-02	
27	3VTDD15520	NUT M 6 A2 UNI 5588 INX	2	Dec-02	
28	3LAFN05592	FRAME PANTHER	1	Dec-02	
29	3VTRS00245	WASHER D.6 UNI 6592 INOX	5	Dec-02	
30	3VTVT00701	SCREW TE M.6-30	1	Dec-02	
31	3VTVT13939	SCREW TE 6X20 UNI5739 INX	2	Dec-02	
32	3VTDD01694	NUT M6 INOX	2		
33	3MPVR35598	RUBBER B-BT	1	Dec-02	
34	3LAFN35599	BRAKE PEDAL LAV. BT	1	Dec-02	
35	3VTVT00708	SCREW TE M. 8-40	1	Jun-03	
36	3LAFN05841	LEVER FRENO	1	Jun-03	
37	3LAFN03913	BUSHING LEVA COFANO	1	Dec-02	
38	3VTVT13937	SCREW TE M 8X 30 INX UNI 5739	1	Dec-02	

Head



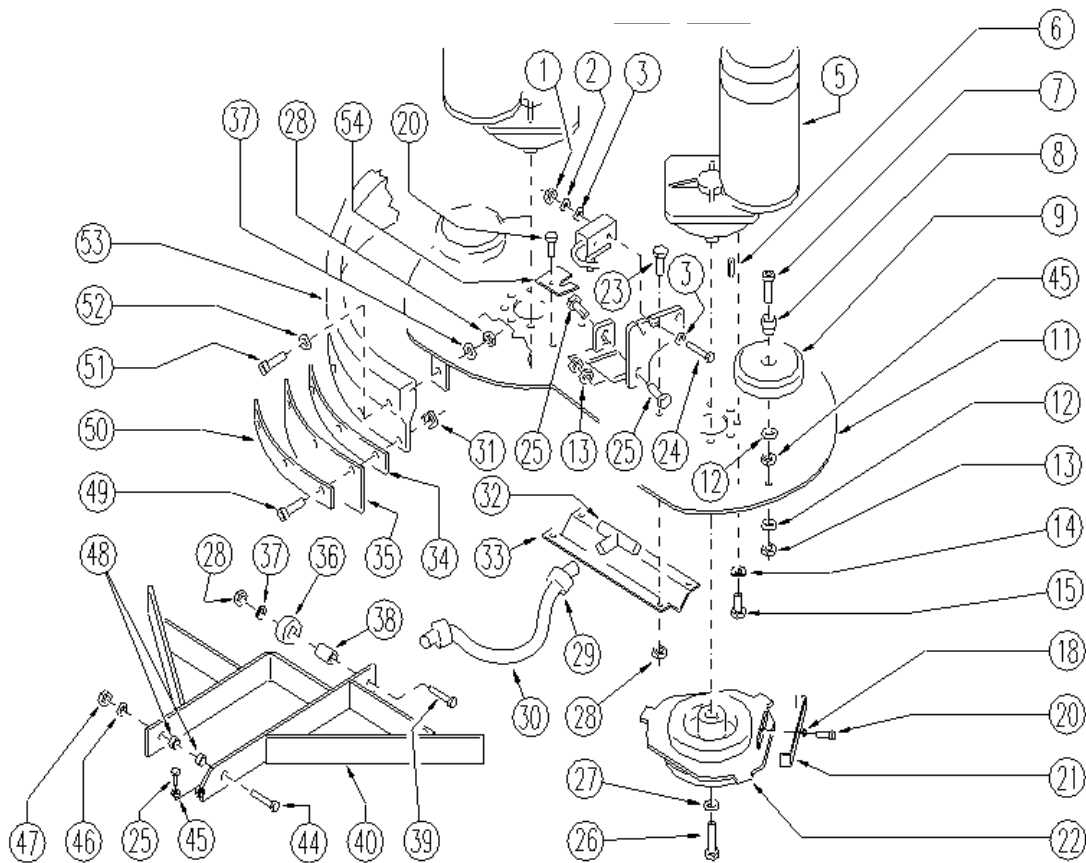
Ref.	Part N.	Description	Quantity	Validity From	Validity To
1	3VTDD15925	NUT M 4 INX	2	Dec-02	
2	3VTRS15913	WASHER D. 4 GROVER A2 UNI1751	2		
3	3VTRS00251	WASHER 4-16 INOX A2	4	Dec-02	
5	3MEVR33562	CARBON 10X18X18 400W 12V	8		
5	3MOCC00143	MOTOR MRP6 V24	2		
6	3VTVR21944	KEY 6X6X30	2	Dec-02	
7	3VTVT00775	SCREW TCEI M 8X40 ZC.BK UNI5931	2	Sep-06	
7	3VTVT63038	SCREW TCEI M8X45 BR	2	Dec-02	Sep-06
8	3LAFN03915	BUSHING NUOVO RUOTINO STRONG	2	Dec-02	
9	3RTRT43370	CASTER D.100 2V.	2	Dec-02	
11	3LAFN05610	PLATE TESTATA	1	Dec-02	
12	3VTRS13947	WASHER D. 8 INX UNI 6592	2	Dec-02	
13	3VTDD01695	NUT M 8 INX	4	Feb-03	
14	3VTRS15144	WASHER D. 6 INX GRW UNI 1751	14	Dec-02	
15	3VTVT15906	SCREW TE 6X 12 A2 UNI 5739	14	Dec-02	
18	3VTRS15913	WASHER D. 4 GROVER A2 UNI1751	2	Jun-03	
20	3VTVT21887	SCREW TCB-TC 4X10 8112	3	Dec-02	
21	3MLML00230	SPRING ANTISGANCIO 70 X FLANGIA	2	Dec-02	

Head



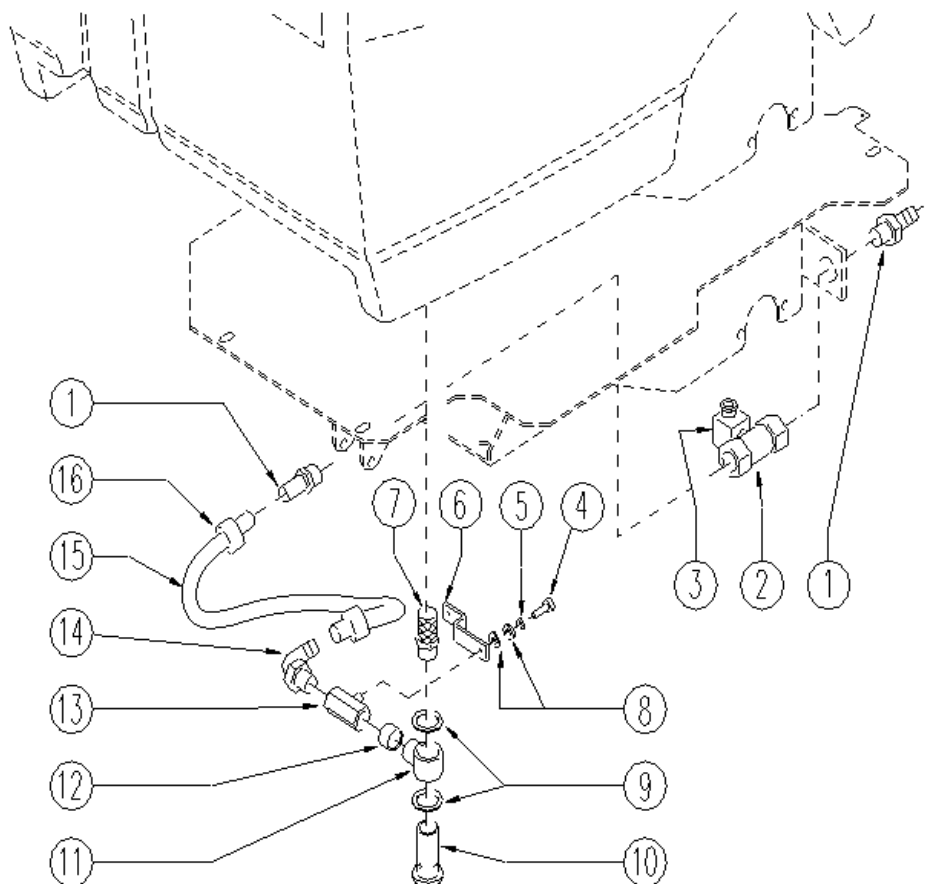
Ref.	Part N.	Description	Quantity	Validity From	Validity To
22	3MFVR00133	FLANGE TRASC. SPAZZOLA	2		Feb-12
22	3MFVR00212	DRIVE DISK	2	Feb-12	
23	3VTVT00787	SCREW TBEI M 6-16	4	Dec-02	
24	3VTVT20824	SCREW TE M 4X 40 UNI 5739 ZC	2	Dec-02	
25	3VTVT15907	SCREW TE 8X25 UNI5739 INX	3	Jun-03	
26	3VTVT00179	SCREW TSPEI M 8X30	3	May-03	
27	3VTRS00289	WASHER D.10,5-40	2	Dec-02	
28	3VTDD15518	NUT M 6 INX	10	Dec-02	
29	3FSVR00091	CLAMP 14-24	2		
30	3TBBP00362	TUBE	1		
31	3VTDD00175	NUT M.6 TONDO FILET.4 PUNTE	6	Dec-02	
32	3RCVR00483	CONNECTOR 3 VIE	1	Dec-02	
33	3LAFN05642	DISTRIBUTOR ACQUA TESTATA 71	1	Dec-02	
34	3MPVR02815	THICKNESS X FLAP	2	Dec-02	
35	3MPVR02786	FLAP TESTATA	2	Dec-02	
36	3RTRT49413	WHEEL D. 60-D.15 X36 NYL.	1	Dec-02	
37	3VTRS00245	WASHER D.6 UNI 6592 INOX	6	Dec-02	
38	3LAFN04041	SPACER D6/15	1	Dec-02	

Head



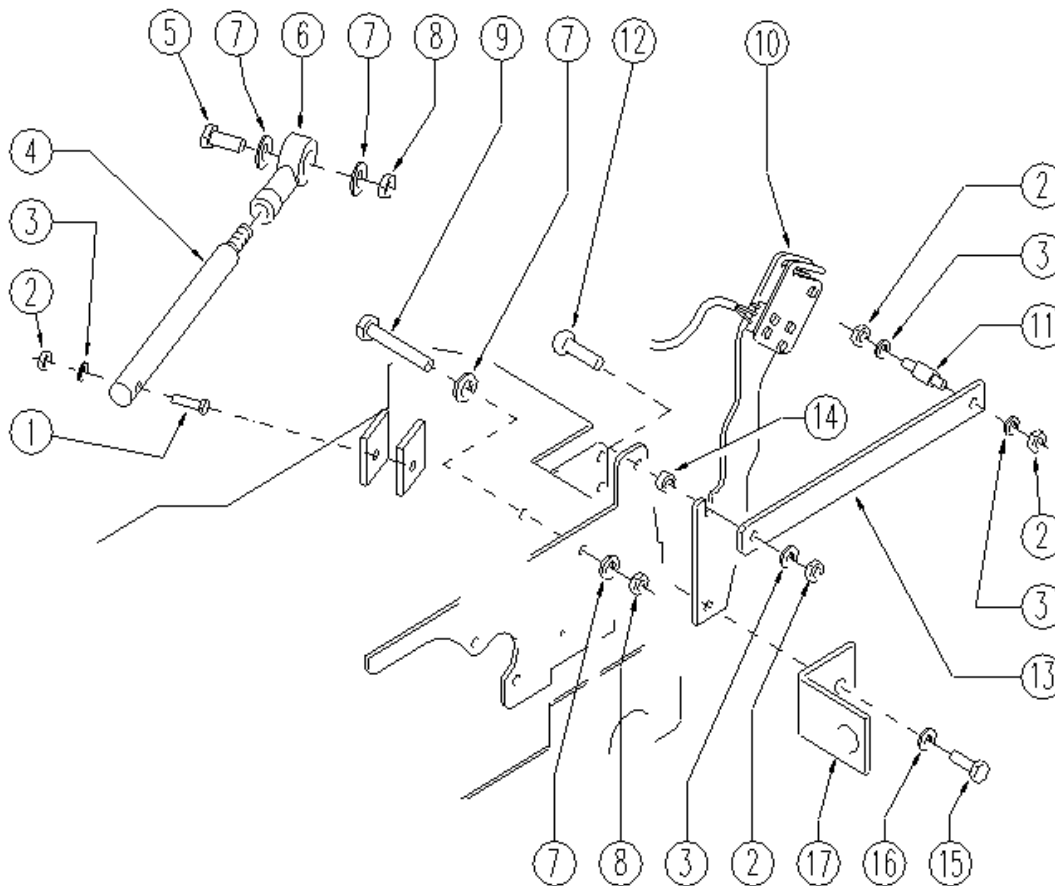
Ref.	Part N.	Description	Quantity	Validity From	Validity To
39	3VTVT00655	SCREW TE M. 6-55	1	Dec-02	
40	3LAFN05654	BRACKET CENTRAGGIO SPAZZOLE 70	1	Dec-02	
44	3VTVT00868	SCREW TE M12-140	1	Dec-02	
45	3VTDD15521	NUT M 8 INX A2 UNI 5588	1	Jun-03	
46	3VTRS00232	WASHER D.12 UNI 6592 ZINC.	1	Dec-02	
47	3VTDD00131	NUT M.12 AUT. DIN 982 ZINC	1	Dec-02	
48	3LAFN03721	BUSHING PEDALIERA	2	Dec-02	
49	3VTVT00858	SCREW 6X20	6	Dec-02	
50	3MPVR02792	FLAP PRESS NYLON NERO SP2	2	Dec-02	
51	3VTVT00818	SCREW TBEI 6X35	5	Dec-02	
52	3VTRS13945	WASHER D. 6X18 INX UNI 6593	5	Dec-02	
53	3MPVR02772	BUMPER TESTATA 71	1		
54	3LAFN05671	PLATE RESCA TESTATA	1	Dec-02	

Water Pipe



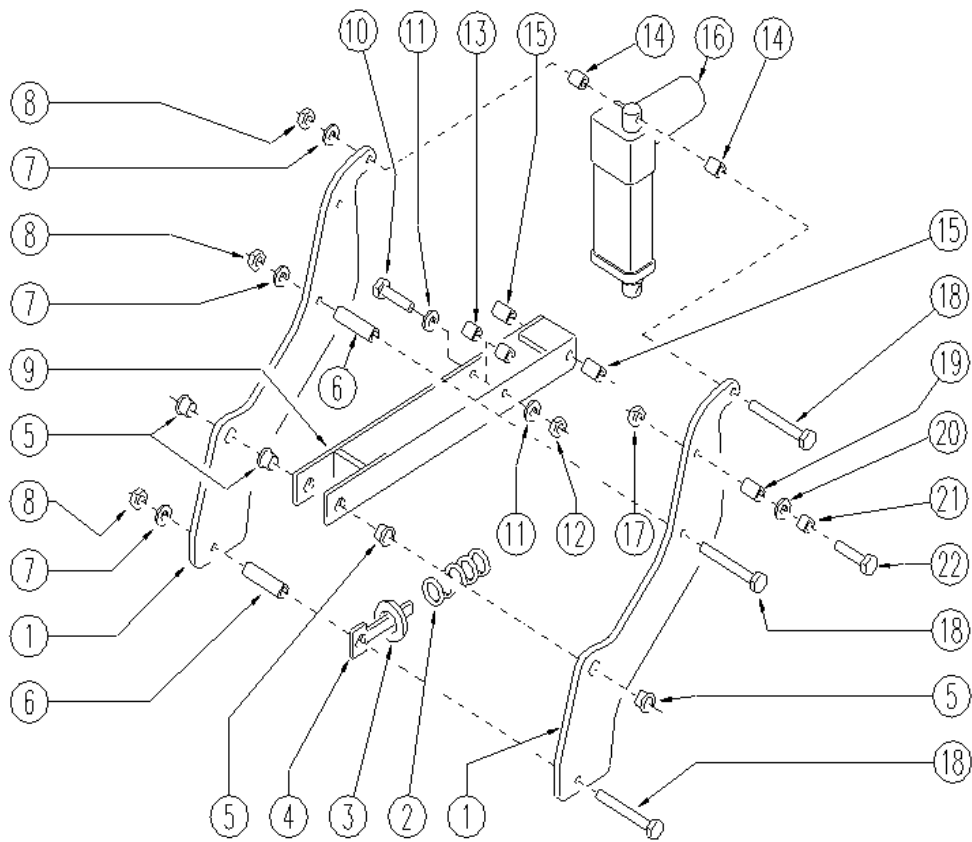
Ref.	Part N.	Description	Quantity	Validity From	Validity To
1	3RCVR00535	CONNECTOR 3/4" M RESCA	2	Dec-02	
2	3MEEV00015	SOLENOID VALVE	1	Dec-02	
3	3MEVR01155	CONNECTOR ELETTRIVALVOLA	1	Dec-02	
4	3VTVT00834	SCREW M 3X 6 TCB-TC IX U.7687	1	Dec-02	
5	3VTRS00251	WASHER 4-16 INOX A2	1	Dec-02	
6	3LAFN05724	LEVER RUBINETTO	1	Dec-02	
7	3FTAC00036	FILTER IN RETE	1	Dec-02	
8	3VTRS13947	WASHER D. 8 INX UNI 6592	2	Dec-02	
9	3GUVR00213	WASHER GOMMA	2	Dec-02	
10	3RCDS49623	SCREW G 1/2 L=41.5	1	Dec-02	
11	3RCDS49622	CONNECTOR OCC 1/2 - 1/2M	1	Dec-02	
12	3MPVR02862	COVER FISSAG.SERB.	1	Dec-02	
13	3RCGR00065	TAP F/F 1/2"	1	Dec-02	
14	3RCVR00537	CONNECTOR MASCH.G1/2 RESCA	1	Dec-02	
15	3TBBP00322	TUBE	1	Dec-02	
16	3FSVR00091	CLAMP 14-24	2	Dec-02	

Head



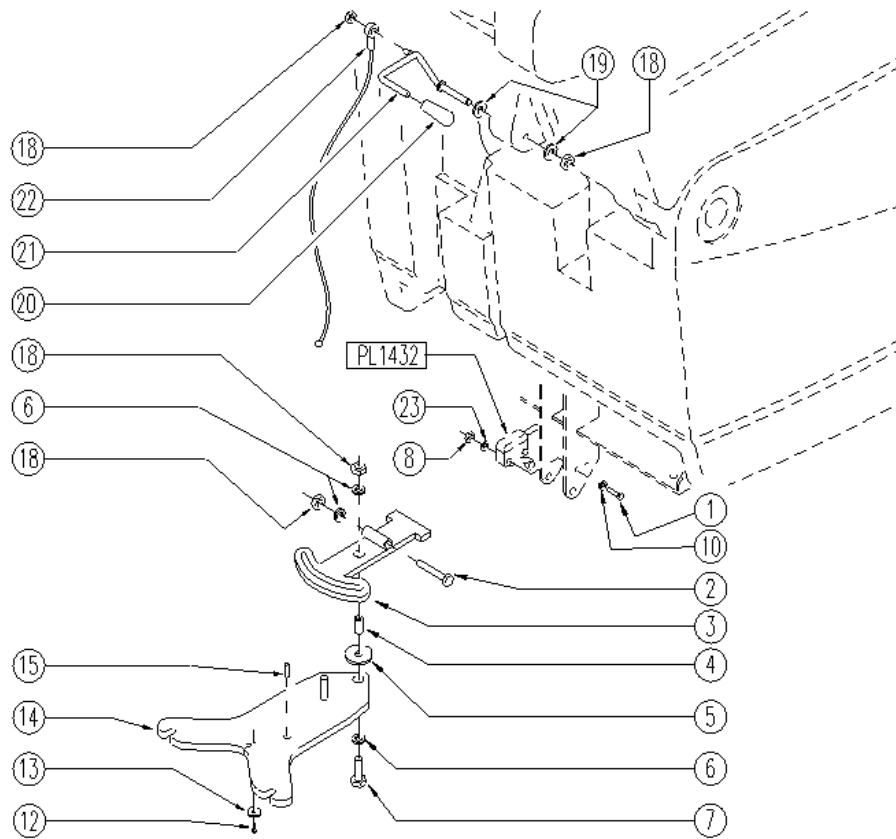
Ref.	Part N.	Description	Quantity	Validity From	Validity To
1	3VTVT15371	SCREW TE M 8X45 INOX A2 UNI	1	Dec-02	
2	3VTDD01695	NUT M 8 INX	4	Dec-02	
3	3VTRS13947	WASHER D. 8 INX UNI 6592	4	Apr-03	
4	3LAFN05600	LEVER LATERALE	1	Dec-02	
5	3VTVT00467	SCREW TE M 12X45 ZINC. UNI 5737	1	Dec-02	
6	3VTVR00267	ARTICULATION SFERICO D.12	1	Dec-02	
7	3VTRS00232	WASHER D.12 UNI 6592 ZINC.	4	Dec-02	
8	3VTDD00131	NUT M.12 AUT. DIN 982 ZINC	2	Dec-02	
9	3VTVT00285	SCREW TE M12X110	1	Dec-02	
10	3MECB00504	GROUP CABLAGGIO	1		
11	3LAFN04113	PIN LEVA SUPERIORE	1	Feb-03	
12	3VTVT00781	SCREW TSPEI M.8-25	1	Apr-03	
13	3LAFN05604	LEVER SUPERIORE	1	Dec-02	
14	3RCDS35584	BUSHING D. 8X12X 4.3	1	Dec-02	
15	3VTVT13938	SCREW TE 8X20 UNI5739 INX	1	Dec-02	
16	3VTRS01080	WASHER D. 8 GRW	1	Dec-02	
17	3LAFN05643	BRACKET ELETTROVALVOLA	1	Dec-02	

Head



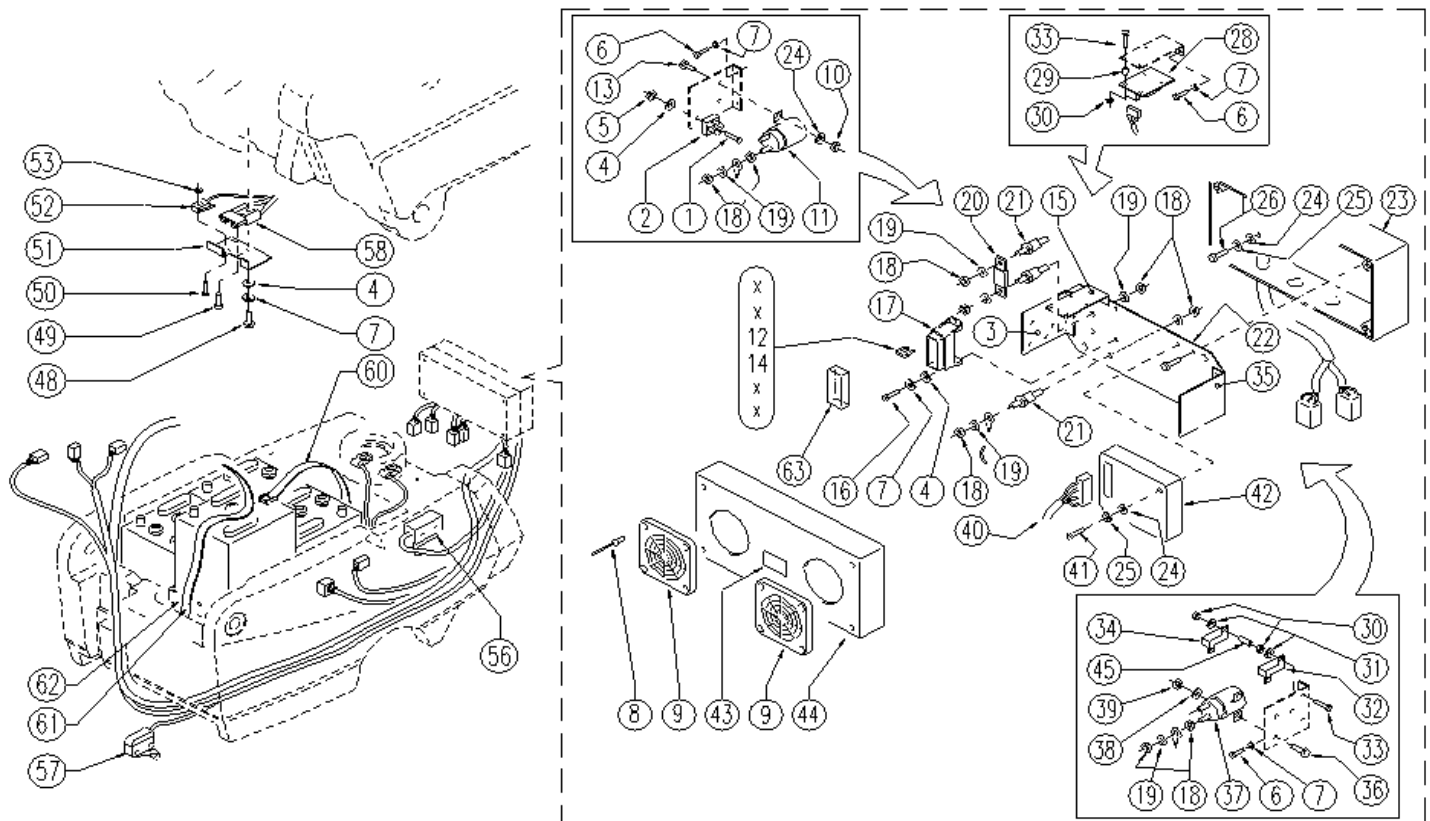
Ref.	Part N.	Description	Quantity	Validity From	Validity To
1	3LAFN05593	BRACKET	2	Dec-02	
2	3MLML00227	SPRING DI COMPRESS.	1	Dec-02	
3	3VTRS00250	WASHER D.14	1	Dec-02	
4	3LAFN05594	SPRING GUIDE	1	Dec-02	
5	3CUVR00130	BEARING STRISCIAMENTO	4	Dec-02	
6	3LAFN04043	SPACER D8.5-15	2	Dec-02	
7	3VTRS13947	WASHER D. 8 INX UNI 6592	3	Dec-02	
8	3VTDD01695	NUT M 8 INX	3	Dec-02	
9	3LAFN05605	ARM	1	Dec-02	
10	3VTVT00867	SCREW	1	Dec-02	
11	3VTRS00245	WASHER D.6 UNI 6592 INOX	3	Dec-02	
12	3VTDD15518	NUT M 6 INX	1		
13	3LAFN03840	BUSHING	2	Dec-02	
14	3LAFN04042	SPACER D8.5-15	2	Dec-02	
15	3RCDS34717	BUSHING D. 9X12X 8.3	2	Dec-02	
16	3MOCC00226	ATUATOR ALI 1 100MM CABLATO	1	Dec-02	
17	3VTDD01694	NUT M6 INOX	1		
18	3VTVT00734	SCREW TE M. 8-80	3	Dec-02	
19	3LAFN04187	SPACER PER RIDUTTORE	1		
20	3VTRS13945	WASHER D. 6X18 INX UNI 6593	1		
21	3LAFN03742	SPACER SILENZIATORE	1		
22	3VTVT15145	SCREW TE 6X40 UNI5739 INX	1		

Support



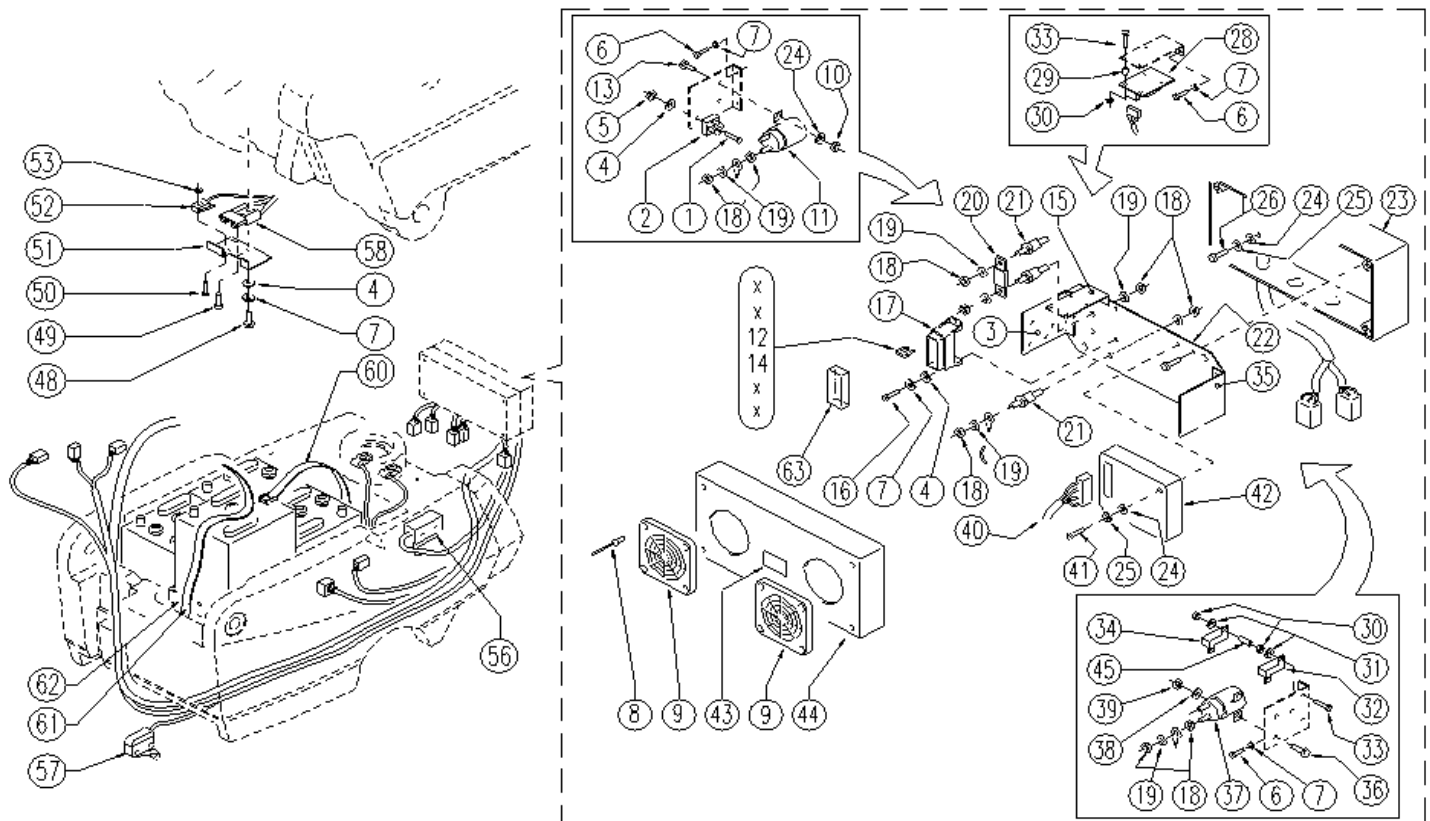
Ref.	Part N.	Description	Quantity	Validity From	Validity To
1	3VTVT00732	SCREW	2	Dec-02	
2	3VTVT00757	SCREW	1	Dec-02	
3	3LAFN05599	SUPPORT	1	Dec-02	Jun-12
3	3LAFN09009	SUPPORT -	1	Jun-12	
4	3LAFN03957	BUSHING RUOTINO	1	Dec-02	
5	3VTRS15978	WASHER D.12X24 UNI 6592 INX	1	Jun-12	
5	3VTRS43258	WASHER D.13X24 X2.5 NYL UNI6592	1	Dec-02	Jun-12
6	3VTRS13947	WASHER D. 8 INX UNI 6592	3	Dec-02	
7	3VTVT00410	SCREW TE M8x35 UNI5739 INOX	1	Dec-02	
8	3VTDD15925	NUT M 4 INX	2	Dec-02	
10	3VTRS00501	WASHER D. 4 0.232 UNI 6592	2	Dec-02	
12	3VTVT21887	SCREW TCB-TC 4X10 8112	1	Dec-02	
13	3VTRS00291	WASHER D. 5 X20 ZC UNI 6593	1	Dec-02	
14	3LAFN05631	PLATE	1	Dec-02	
15	3VTVT01200	GRUB SCREW M8 X 16 INOX	1	Apr-04	
18	3VTDD01695	NUT M 8 INX	3	Dec-02	
19	3VTRS13946	WASHER D. 8 X24 INX UNI 6593	2	Dec-02	
20	3VTVR49226	HANDWHEEL F M10 D.82	1	Dec-02	
21	3LAFN49035	LEVER LAV. SHK	1	Dec-02	
22	3CMCV00305	CABLE SOLLEVAMENTO	1	Dec-02	
23	3VTRS15913	WASHER D. 4 GROVER A2 UNI1751	2	Dec-02	

Electric. Instal.



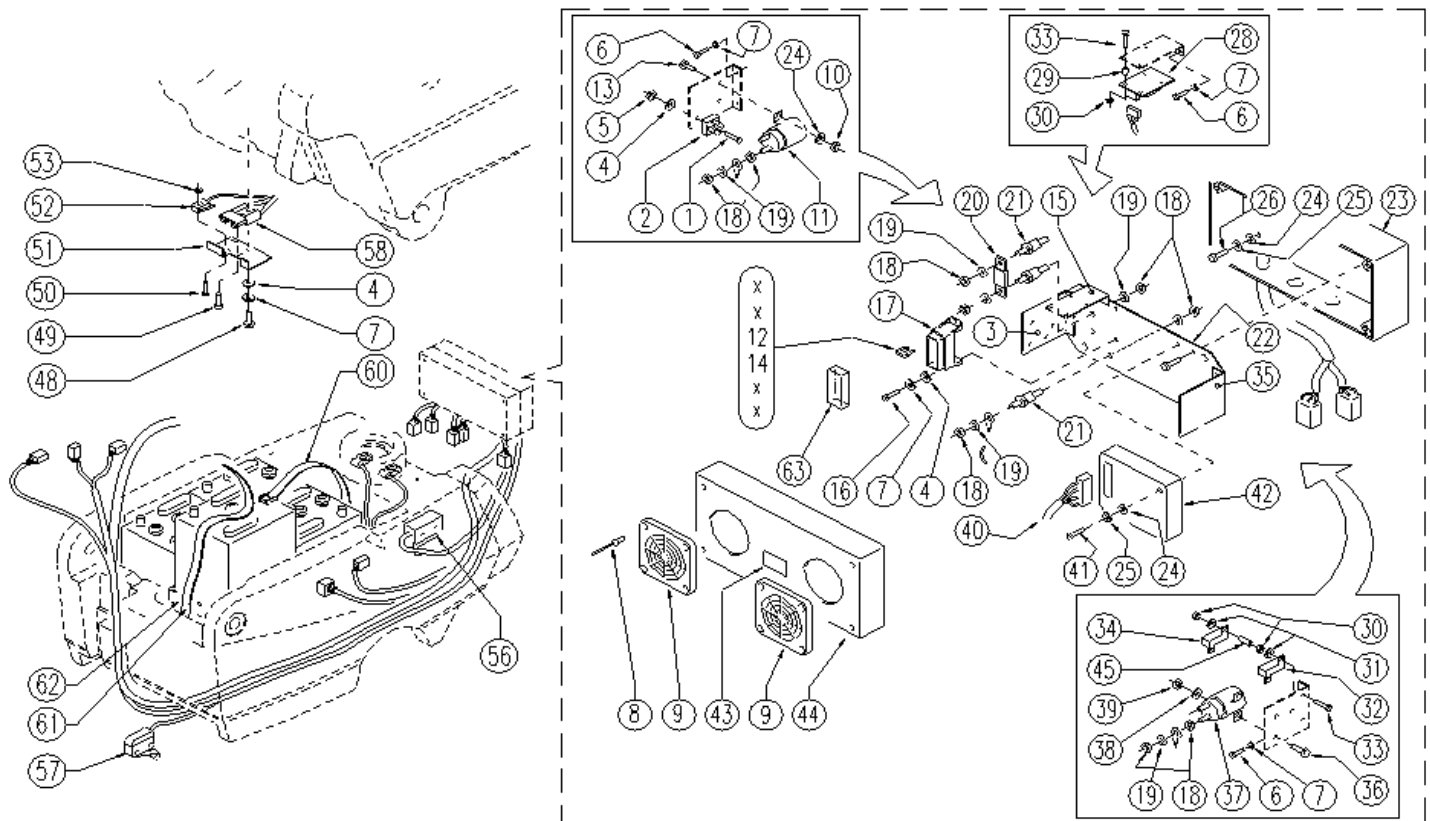
Ref.	Part N.	Description	Quantity	Validity From	Validity To
1	3VTVT00704	SCREW TE M 4X 16 UNI5739 INOX	1		
2	3MECE35767	RECTIFIER LAV. E 450	1	Dec-02	
3	3LAFN05613	BRACKET PONTE DIODI	1	Dec-02	
4	3VTRS00501	WASHER D. 4 0.232 UNI 6592	10	Dec-02	
5	3VTDD04369	NUT M 4 TEF UNI 7473	2	Dec-02	
6	3VTVT00754	SCREW TC+ M. 4-10	4	Dec-02	
7	3VTRS15913	WASHER D. 4 GROVER A2 UNI1751	6	Dec-02	
8	3VTVR00238	RIVET 4-10 ALLUMINIO	8	Dec-02	
9	3MPVR02797	BRACKET SALVADITA	2	Dec-02	
10	3VTDD15517	NUT M 5 INX	2		
11	3METT45116	CONTACTOR 24V T106 P	1		
12	3MEVR01380	FUSE A LAMA	1	Dec-02	
13	3VTVT34115	SCREW TE M 5X 10 UNI 5739	2	Dec-02	
14	3MEVR01316	FUSE A LAMA 10 A. 32V	1	Dec-02	
15	3LAFN05927	CARRYNG BAG	1		
16	3VTVT00725	SCREW TC+ M.4-12	2	Dec-02	
17	3MEVR01386	FUSE CARRIER LAMA 6 POSTI	1		
18	3VTDD10776	NUT M 8 X1 UNI 5588	18	Dec-02	
19	3VTRS01080	WASHER D. 8 GRW	14	Dec-02	

Electric. Instal.



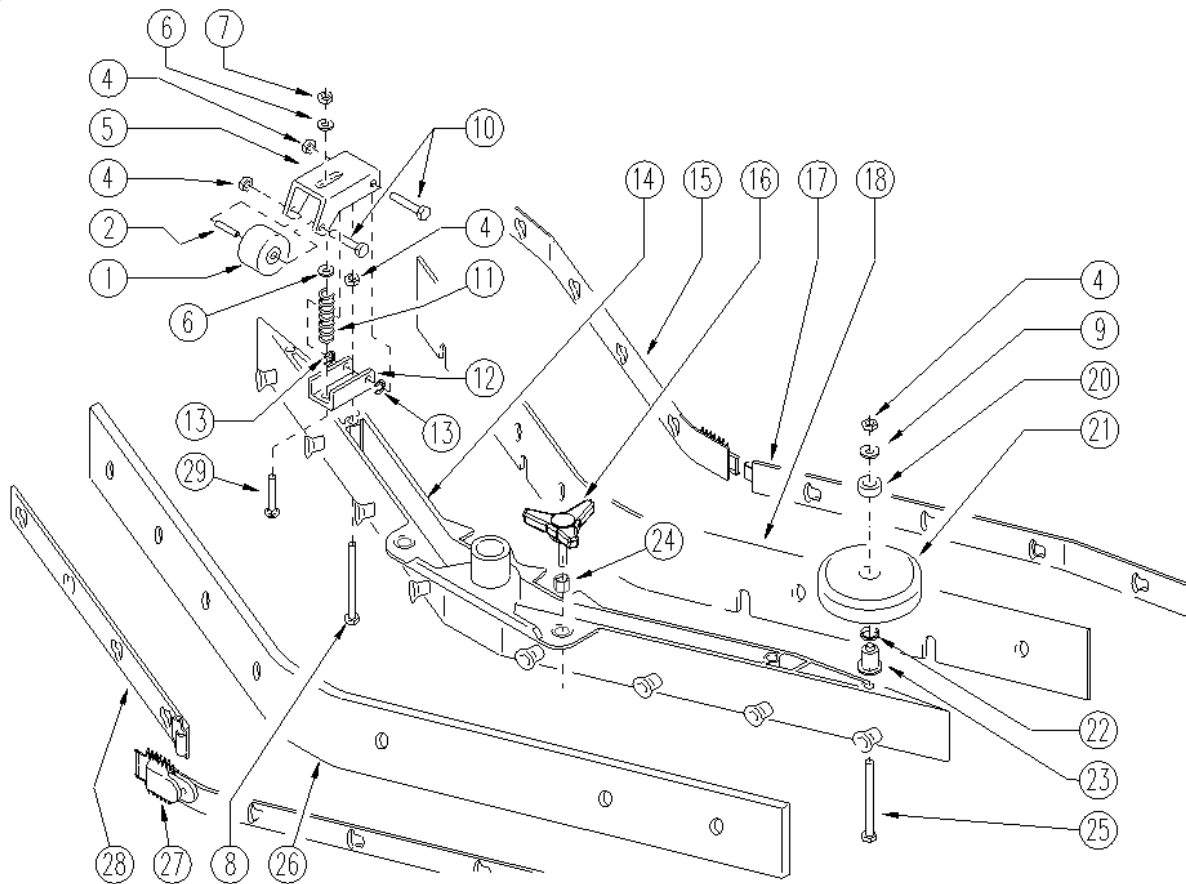
Ref.	Part N.	Description	Quantity	Validity From	Validity To
20	3MEVR01346	FUSE 125 A.	1	Dec-02	
21	3MEVR01116	SUPPORT FUSIBILE 120 A	3	Dec-02	
22	3LAFN05612	PLATE ELETTRICA	1	Dec-02	
23	3MEVR01556	BOX BASE	1		
24	3VTRS00516	WASHER D. 5 INX	6	Dec-02	
25	3VTRS15908	WASHER D. 5 INX GRW UNI 1751	4	Dec-02	
26	3VTVT48694	SCREW TCB TC 5 X12 UNI 9707 TZ	4		
28	3MECE00396	BOARD DI AUTORITENUTA	1		
29	3MPVR02973	CARRYNG BAG	3		
30	3VTDD21115	NUT M 3 INOX	4	Dec-02	
31	3VTRS00268	WASHER D.3	4		
32	3MECE00391	RESISTANCE 1 OHM 50 W	1	Dec-02	
33	3VTVT00722	SCREW	2	Dec-02	
34	3MECE00369	RESISTANCE CORAZZATA 10 OHM 50 WATT	1	Dec-02	
35	3LAFN05614	BRACKET RESISTENZE	1	Dec-02	
36	3VTVT01109	SCREW TE M 6X 10 ZC. UNI 5739	2	Dec-02	
37	3METT00056	CONTACTOR T-106	1	Dec-02	
38	3VTRS00231	WASHER D. 6 UNI 6592 PIANA ZINC.	2	Dec-02	
39	3VTDD00157	NUT M. 6 DIN 985 ZN	2		

Electric. Instal.



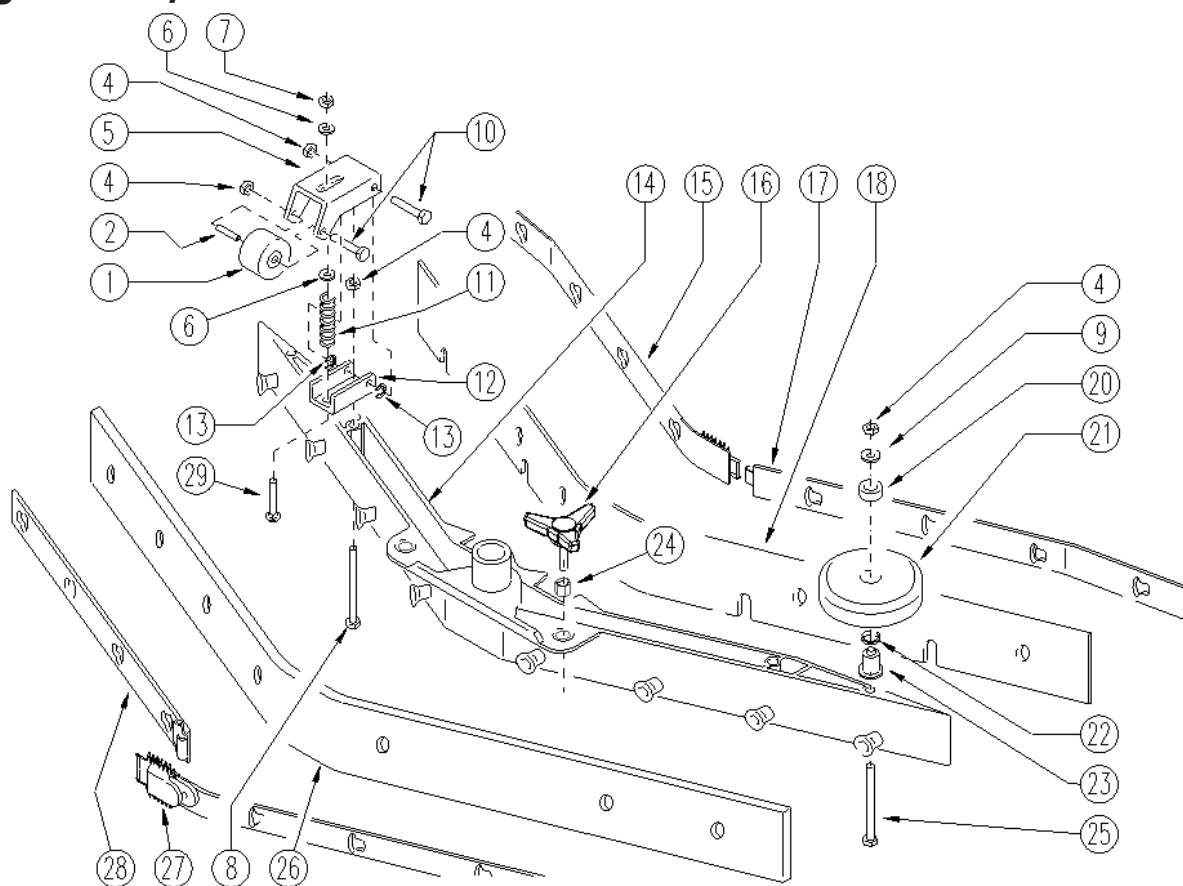
Ref.	Part N.	Description	Quantity	Validity From	Validity To
40	3MECI00277	CONNECTOR	1	Nov-03	
41	3VTVT62948	SCREW M 4X 50 TC-CR ZC U.7687	2	Dec-02	
42	3MECE00336	GEARCASE TRAZ. 24V	1	Dec-02	
43	3ETET00763	LABEL SIMBOLO FUSIBILI	1	Dec-02	
44	3MEVR01339	COVER SCATOLA MOD.150	1		
45	3LAFN04047	SPACER X SCHEDE M3 15x8x8	2	Dec-02	
48	3VTVT00814	SCREW TE M.4-25	2	Jun-04	
49	3VTVT00872	SCREW TSP+ 2.9X13 AUTOFIL. INOX	1	Dec-02	
50	3VTVT00671	SCREW TC- M.2-16 OTTONE	2	Dec-02	
51	3LAFN05653	SUPPORT MICRO	1	Dec-02	
52	3MECI00334	MICROSWITCH V4	1	Dec-02	
53	3VTDD08634	NUT M2	2	Dec-02	
56	3MECI00199	MICROSWITCH CABLATO	1	Dec-02	
57	3MECI38439	MICRO-SWITCH MN-5141	1	Dec-02	
58	3MEVR01079	PLUG M CB50 A 600V RD.	1	Dec-02	
60	3MPVR02994	BELT BATTERIA CON FIBIA	2	Dec-02	
61	3MPVR02995	BELT BATTERIA SENZA FIBIA	2	Dec-02	
62	3MPVR04042	PLATE BATTERIA	4	Dec-02	
63	3MEVR01383	COVER PVC TRASP.	1		

Squeegee to 06/2012



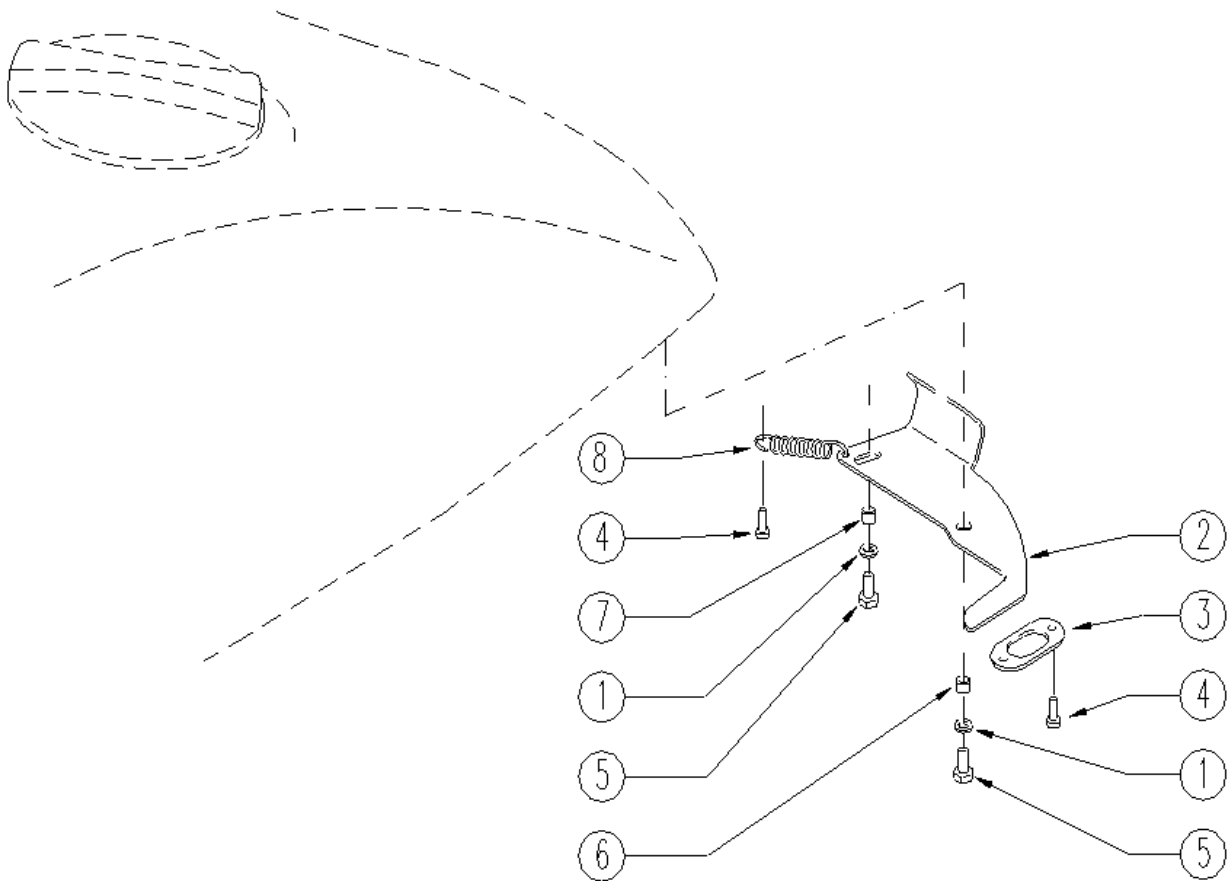
Ref.	Part N.	Description	Quantity	Validity From	Validity To
1	3RTRT49413	WHEEL D. 60-D.15 X36 NYL.	2		
2	3LAFN04041	SPACER D6/15	2		
4	3VTDD01694	NUT M6 INOX	8		
5	3LAFN05559	SUPPORT RUOTINO	2		
6	3VTRS13947	WASHER D. 8 INX UNI 6592	4		
7	3VTDD01695	NUT M 8 INX	2		
8	3VTVT15142	SCREW TE M 6x45 INOX	2		
9	3VTRS00245	WASHER D.6 UNI 6592 INOX	2		
10	3VTVT15515	SCREW TE M 6X 50 INOX A2	4		
11	3MLML49422	SPRING D.15X 45 X1	2		
12	3LAFN51069	BRACKET SUPP.RUOTINO SQUEEGEE	2		
13	3VTAE45707	CIRCLIP D. 6 UNI 7434 INOX	4		
14	3KTRI02049	BODY SQUEEGEE PRESSOFUSO "L"	1		
15	3LAFN51047	LAMINATION BLOCCA LAMA ANTER.SX "L"	1		
16	3MPVR05265	KNOB 8X25	2		
17	3LAFN51046	LAMINATION BLOCCA LAMA ANTER.DX "L"	1		
18	3MPVR48380	RUBBER BLADE LAV. 890	1		
20	3MPVR49229	BUSHING SHK	2		

Squeegee to 06/2012



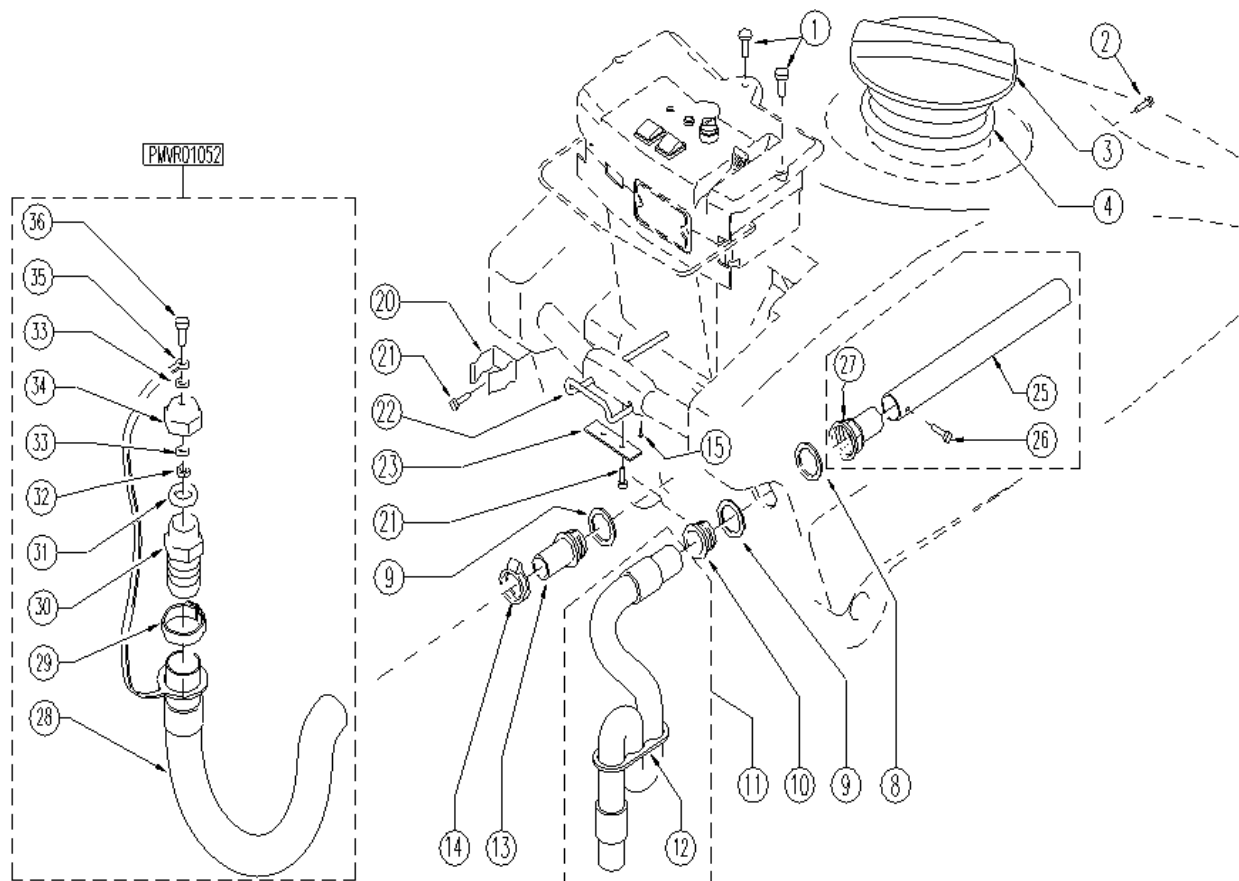
Ref.	Part N.	Description	Quantity	Validity From	Validity To
21	3MPVR05290	ROLLER PARACOLPI	2		
22	3GUGO00164	GASKET	2		
23	3LAFN04100	SPACER PER RUOTINO PARACOLPI	2		
24	3VTVR00022	INSERT FILETTATO ESAGONALE M8	2		
25	3VTVT00841	SCREW TE M 6X65 UNI 5739 INX	2		
26	3MPVR48379	RUBBER BLADE LAV. 890 PARA	1		
27	3LAFN05675	BLADE HOLDER POSTERIORE DX (L)	1		
28	3LAFN05674	BLADE HOLDER POSTERIORE SX (L)	1		
29	3VTVT01304	SCREW M 8X 40 TTQST UNI 5731	2		

Lever



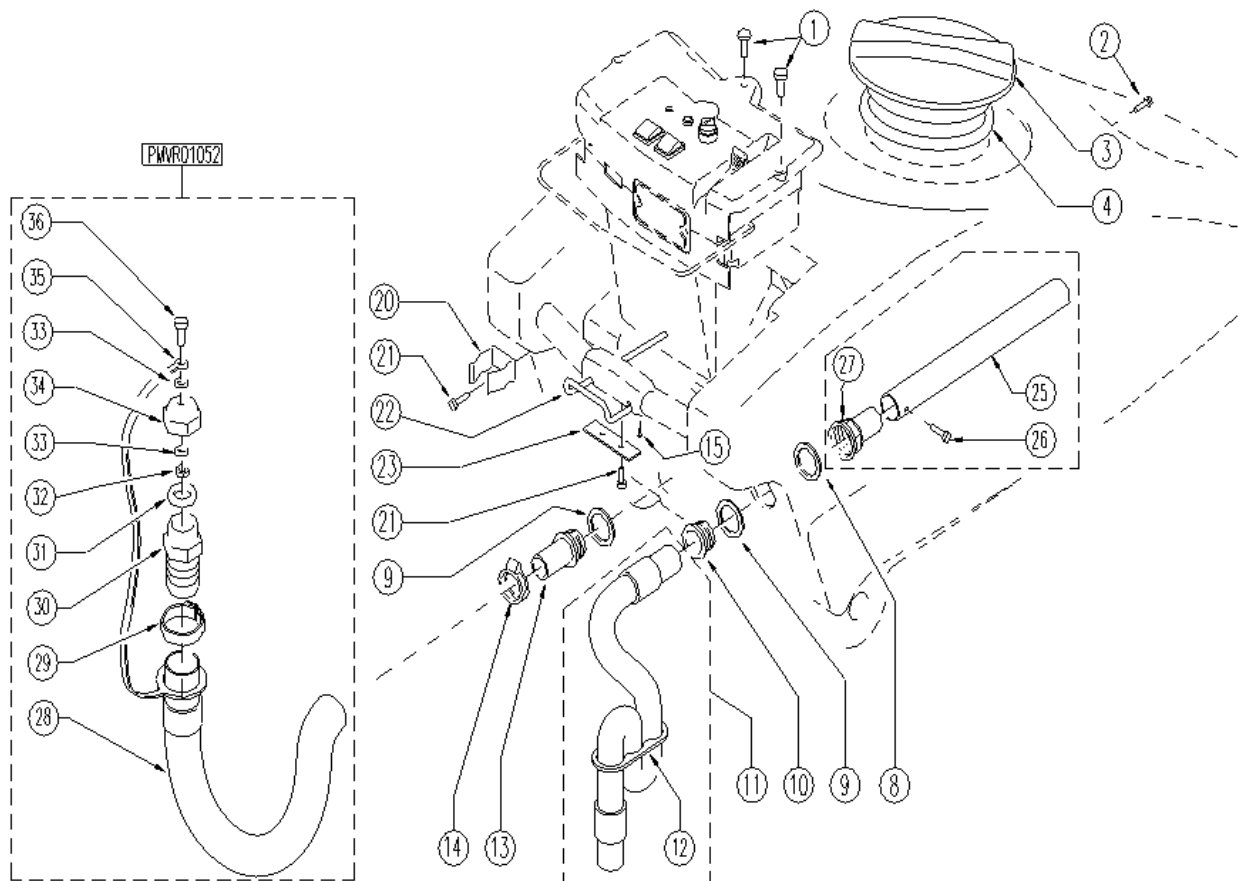
Ref.	Part N.	Description	Quantity	Validity From	Validity To
1	3VTRS13947	WASHER D. 8 INX UNI 6592	3	Dec-02	
2	3LAFN05756	HANDLE APERTURA SERBATOI	1	Dec-02	
3	3LAFN05755	PLATE CENTRAGGIO AGGANCIO	1	Dec-02	
4	3VTVT48694	SCREW TCB TC 5 X12 UNI 9707 TZ	3	Dec-02	
5	3VTVT00779	SCREW TBEI M.8-16	2	Dec-02	
6	3RCDS35584	BUSHING D. 8X12X 4.3	2	Dec-02	
7	3LAFN03940	BUSHING 8/12-5,25	2		
8	3MLML00196	SPRING PER GIUNTO HS NADIR	1	Dec-02	

Tank



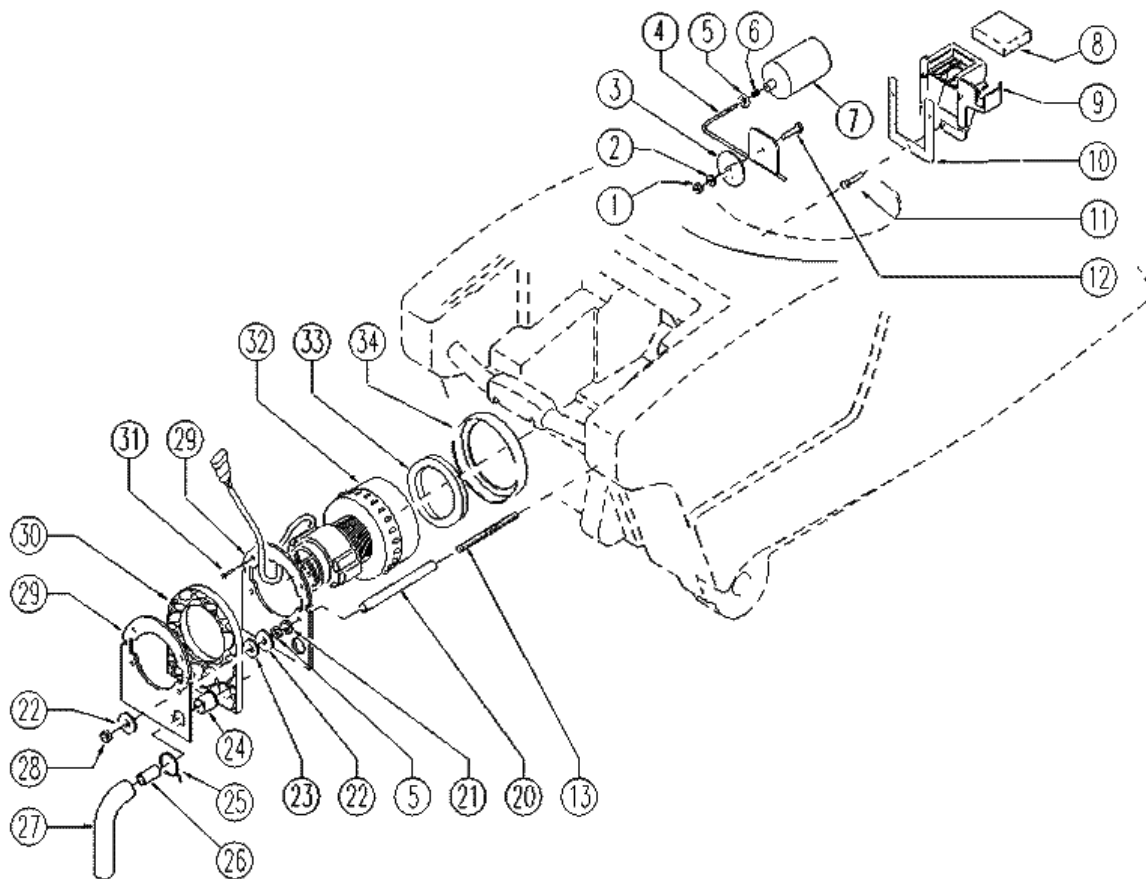
Ref.	Part N.	Description	Quantity	Validity From	Validity To
1	3VTVT00858	SCREW 6X20	3	Dec-02	
2	3VTVT00806	SCREW TBEI M. 6-10	2	Dec-02	
3	3MPVR04051	TANK CAP	1	Jan-03	
4	3GUGO00263	GASKET CIRCOLARE TAPPO	1	Dec-02	
8	3GUVR49928	GASKET RHN G4004	1	Dec-02	
9	3GUGO00216	GASKET ACQUA SPORCA	2	Dec-02	
10	3RCVR00508	PIPE UNION DI SCARICO	1	Dec-02	
11	3PMVR01043	TUBE ASPIRAZIONE	1	Dec-02	
12	3MPVR02730	PLATE SIFONE	1	Dec-02	
13	3RCVR49929	CONNECTOR DTT 1"1/2 D.50	1	Dec-02	
14	3FSVR00105	CLAMP DOPPIO FILO	1	Dec-02	
15	3VTVT00813	SCREW M 4X 8 TCB-TC UNI 8112	1	Dec-02	
20	3FSVR44166	HOSE CLIP D.50	1	Dec-02	
21	3VTVT48694	SCREW TCB TC 5 X12 UNI 9707 TZ	4	Dec-02	
22	3PMVR01058	BUTTON ASSIEME LEVA ANTISCHIACC.	1		
23	3LAFN05607	PLATE	1	Dec-02	
25	3MPVR02889	TUBE INTERNO SERBATOIO	1	Jan-03	
26	3VTVT85145	SCREW TCB T-CROCE 4,2X9,5 INOX	1		

Tank



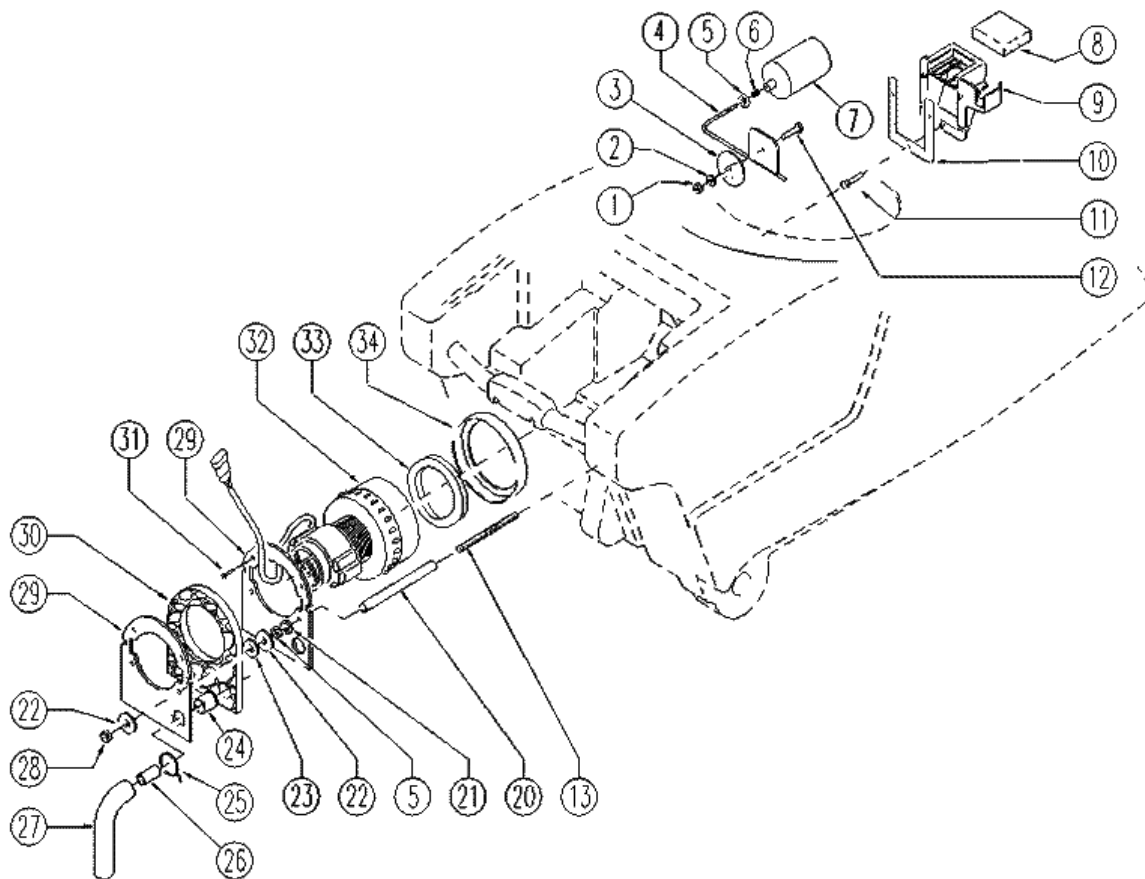
Ref.	Part N.	Description	Quantity	Validity From	Validity To
27	3RCVR00504	CONNECTOR DRITTO FEMM.	1	Jan-03	
28	3TBFX00194	TUBE D 50-900 MM	1	Jan-03	Dec-07
28	3TBFX00314	TUBE DIAM.50 DISCHARGE	1	Jan-08	
29	3FSVR00120	CLAMP HCL-X	1	Jan-08	
29	3MPVR46993	RING NUT SHK.57	1	Jan-03	Dec-07
30	3RCVR46992	CONNECTOR DTT 2"	1	Jan-03	
31	3GUGO00226	GASKET 1"1/4	1	Jan-03	
32	3VTDD01695	NUT M 8 INX	1	Jan-03	
33	3VTRS13947	WASHER D. 8 INX UNI 6592	2	Jan-03	
34	3RCVR00524	CAP FEMMINA DA 2" FORATO D 8	1	Jan-03	
35	3MPVR02805	CLAMP TAPPO	1	Jan-03	
36	3VTVT00842	SCREW	1	Jan-03	

Vacuum Cleaner



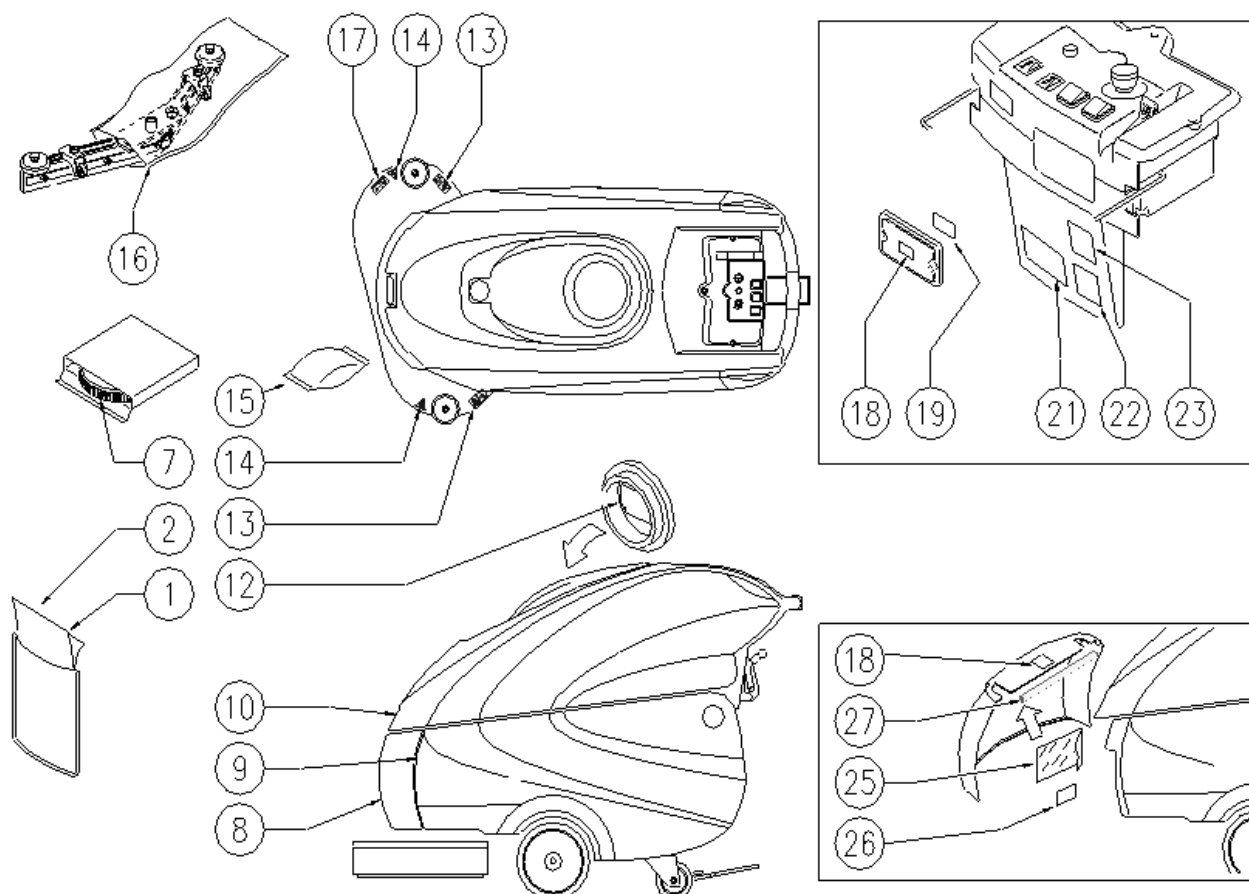
Ref.	Part N.	Description	Quantity	Validity From	Validity To
1	3VTDD01693	NUT M 5 INX	1	Apr-04	
2	3VTRS13750	WASHER D. 5X14 INX	1	Apr-04	
3	3MPVR02702	CAP ASPIRAZIONE	1	Apr-04	
4	3LAFN05118	ROD GALLEGGIANTE	1	Apr-04	
5	3VTDD15520	NUT M 6 A2 UNI 5588 INX	3	Apr-04	
6	3VTVR00212	INSERT	1	Apr-04	
7	3RCGR00064	FLOATER	1	Apr-04	
8	3FTAC47474	FILTER SHK	1	Apr-04	
9	3MPVR03846	SUPPORT GALLEGGIANTE	1	Apr-04	
10	3GUGO00221	GASKET SUPPORTO GALLEGGIANTE	1		
11	3VTVT00677	SCREW	3	Apr-04	
12	3VTVT00805	SCREW TBEI M. 5-10	1	Apr-04	
13	3VTVT00785	ROD FILETTO	2	Apr-04	
20	3LAFN51077	SPACER PH	2	Apr-04	
21	3VTRS13945	WASHER D. 6X18 INX UNI 6593	2	Apr-04	
22	3VTRS16937	WASHER 6x24 INOX UNI 6593	4		
23	3MPVR35582	RUBBER LAV.	2	Apr-04	
24	3MPVR31077	BUSHING L.450	1	Apr-04	

Vacuum Cleaner



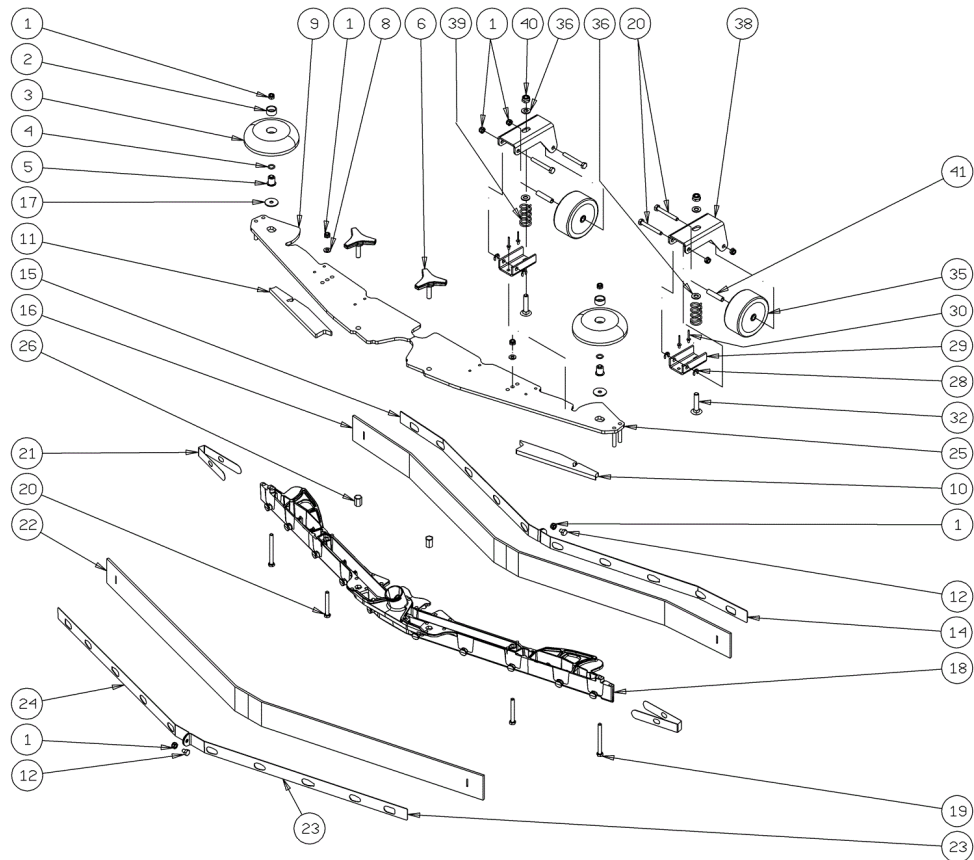
Ref.	Part N.	Description	Quantity	Validity From	Validity To
25	3FSVR00086	CLAMP	1	Apr-04	
26	3TBFX00217	TUBE	1	Apr-04	
27	3ITSO00036	SOUND-PROOFING SCARICO ASP.SHARK/PANTHER	1	Apr-04	
28	3VTDD00124	NUT M 8 BASSO	2		
29	3LAFN51076	FLANGE INSONORIZZ.ASPIRATORE	2	Apr-04	
30	3ITSO00035	SOUND-PROOFING SHARK/PANTHER	1	Apr-04	
31	3VTVT00892	SCREW	4	Apr-04	
32	3MEVR05200	CARBON MOTORE ASP.AMET.116599-13	2		
32	3MOCC00273	MOTOR 3 ST.24V 116598-13	1	May-04	
33	3GUVR48858	GASKET SRB.SHK	1	Apr-04	
34	3GUGO30649	GASKET LAV.DW.	1	Apr-04	

Crankcase



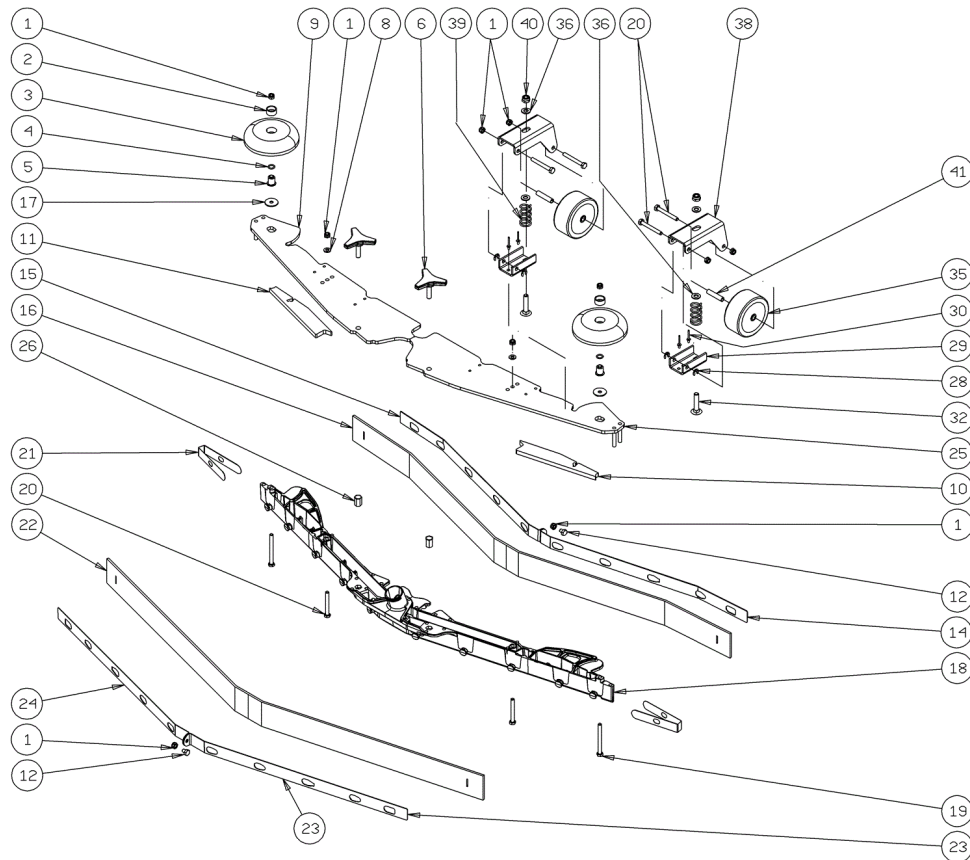
Ref.	Part N.	Description	Quantity	Validity From	Validity To
1	3PLDC01420	OP-TOR'S MANUAL	1		
2	3PLDC01418	SPARE PARTS NEUTRO PANTHER 2	1		
7	3SPPV01228	DRIVE DISK 14"	2		
8	3MPVR05072	SIDE PANEL PANTHER 2	1		
9	3MPVR04079	TANK SOLUZ. HARMONY	1		
10	3MPVR04083	TANK RECUPERO	1		
12	3ETET00554	ADHESIVE AVVERTENZE	1		
13	3ETET00906	ADHESIVE SIMBOLO PERICOLO DI ABRAS	2		
14	3ETET00897	ADHESIVE SIMBOLO PERICOLO	2		
15	3MIVR00018	CARRYNG BAG	1		
16	3MIVR00048	TUBE UNIBOL	1		
17	3ETET00898	ADHESIVE SIMBOLO SCHIACCIAMENTO	1		
18	3ETET00763	LABEL SIMBOLO FUSIBILI	2		
19	3ETET01328	LABEL AVVERTENZA FUSIBILI	1		
21	3ETET00730	LABEL BATTERIE SCOLLEGATE	1		
22	3ETET00463	ADHESIVE SCARICO ACQUA	1		
23	3ETET00550	ADHESIVE PENDENZA	1		
25	3MPVR04179	ENVELOPE PORTAMANUALE ADESIVA	1		
26	3ETET01329	LABEL FUSES	1		
27	3GUGO00110	GASKET COPERCHIO SERBATOIO	0,37	Jun-05	

Floor Wiper from 06/2012



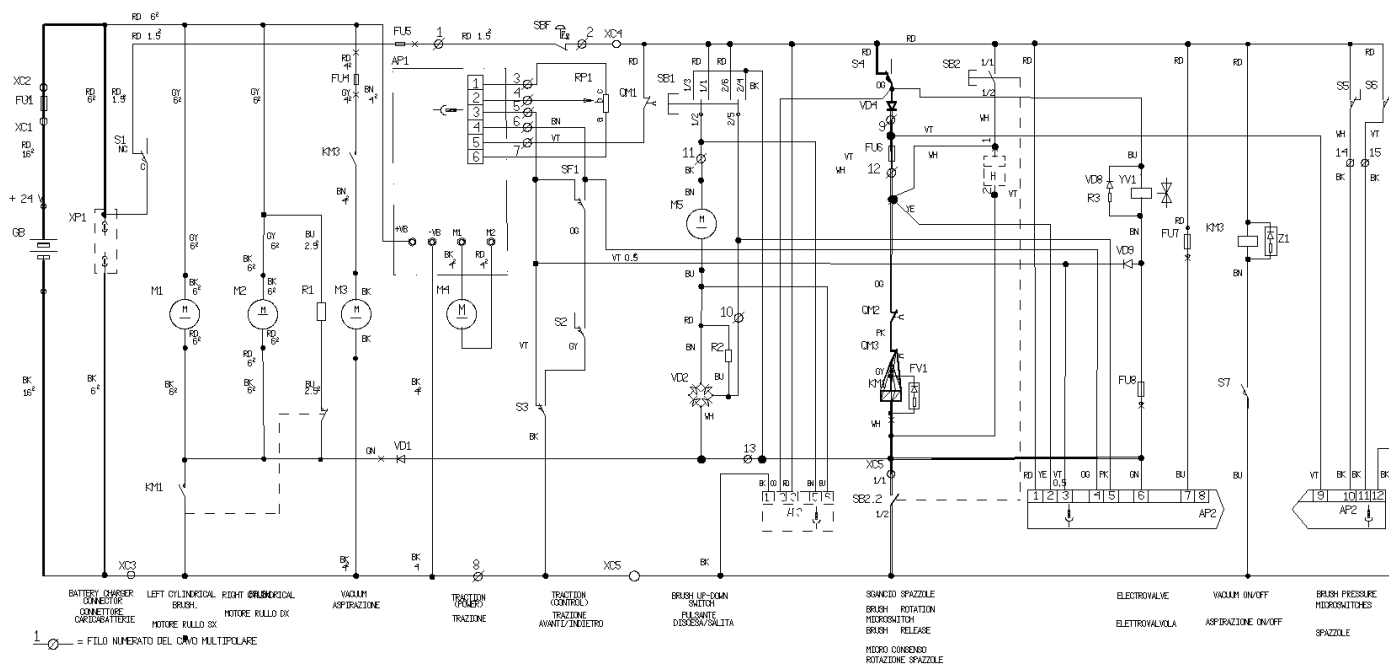
Ref.	Part N.	Description	Quantity	Validity From	Validity To
1	3VTDD01694	NUT M6 INOX	10		
2	3MPVR49229	BUSHING SHK	2		
3	3MPVR05290	ROLLER PARACOLPI	2		
4	3GUGO00164	GASKET	2		
5	3LAFN04100	SPACER PER RUOTINO PARACOLPI	2		
6	3MPVR06004	KNOB AISI 304	2		
8	3VTRS00245	WASHER D.6 UNI 6592 INOX	2		
9	3LAFN09014	PLATE	1		
10	3GUVR00303	GASKET	1		
11	3GUVR00302	GASKET	1		
12	3VTVT01161	SCREW M6x8	2		
14	3LAFN08952	BRACKET	1		
15	3LAFN08953	BRACKET	1		
16	3MPVR05804	RUBBER FRONT SQUEEGEE L PU	1		
17	3VTRS16937	WASHER 6x24 INOX UNI 6593	2		
18	3MFVR00217	BODY	1		
19	3VTVT00841	SCREW TE M 6X65 UNI 5739 INX	2		
20	3VTVT15515	SCREW TE M 6X 50 INOX A2	6		

Floor Wiper from 06/2012



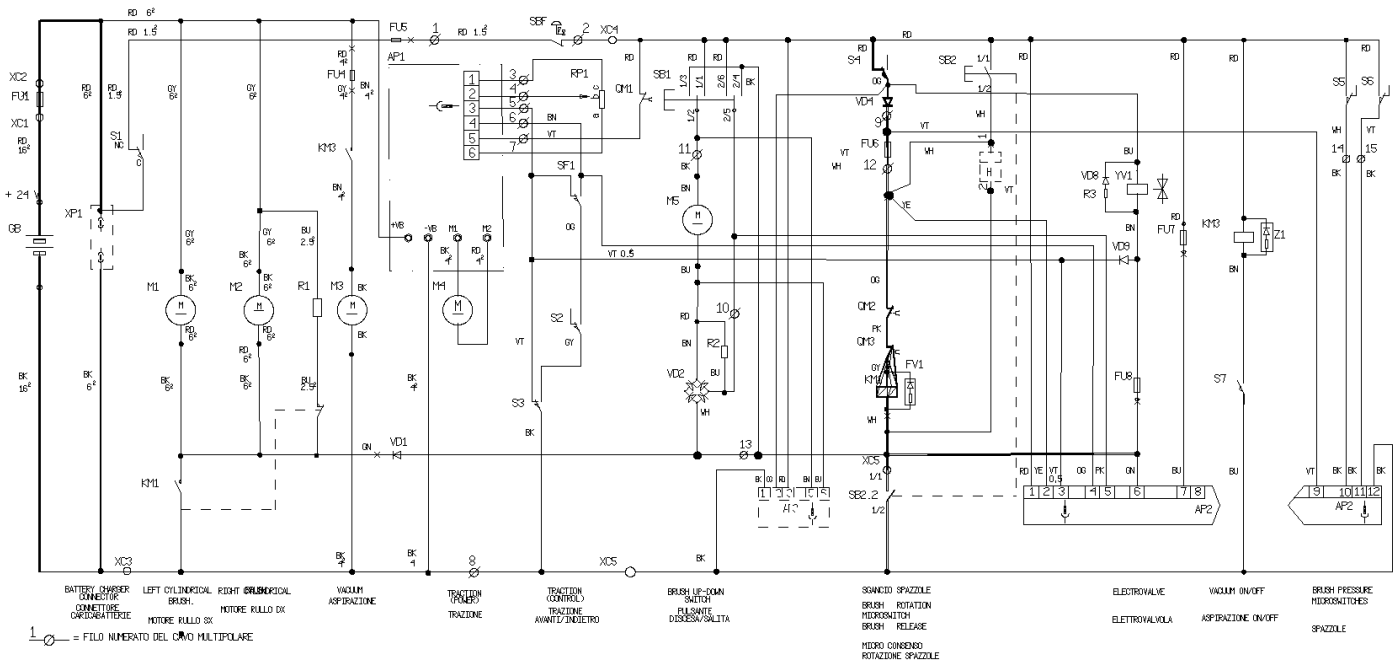
Ref.	Part N.	Description	Quantity	Validity From	Validity To
21	3MPVR05898	CLOSURE L	2		
22	3MPVR05806	RUBBER REAR SQUEEGEE L PU	1		
23	3LAFN08954	BRACKET	1		
24	3LAFN08955	BRACKET	1		
25	3LAFN09015	PLATE	1		
26	3VTVR00565	INSERT	2		
28	3VTAE45707	CIRCLIP D. 6 UNI 7434 INOX	4		
29	3LAFN51069	BRACKET SUPP.RUOTINO SQUEEGEE	2		
30	3VTVR01040	RIVET	4		
32	3VTVT01304	SCREW M 8X 40 TTQST UNI 5731	2		
35	3RTRT00540	WHEEL D.8x32	2		
36	3VTRS13947	WASHER D. 8 INX UNI 6592	4		
38	3LAFN05559	SUPPORT RUOTINO	2		
39	3MLML49422	SPRING D.15X 45 X1	2		
40	3VTDD01695	NUT M 8 INX	2		
41	3TBBP00124	TUBE D 8/6	0,03		

Electric Diagram



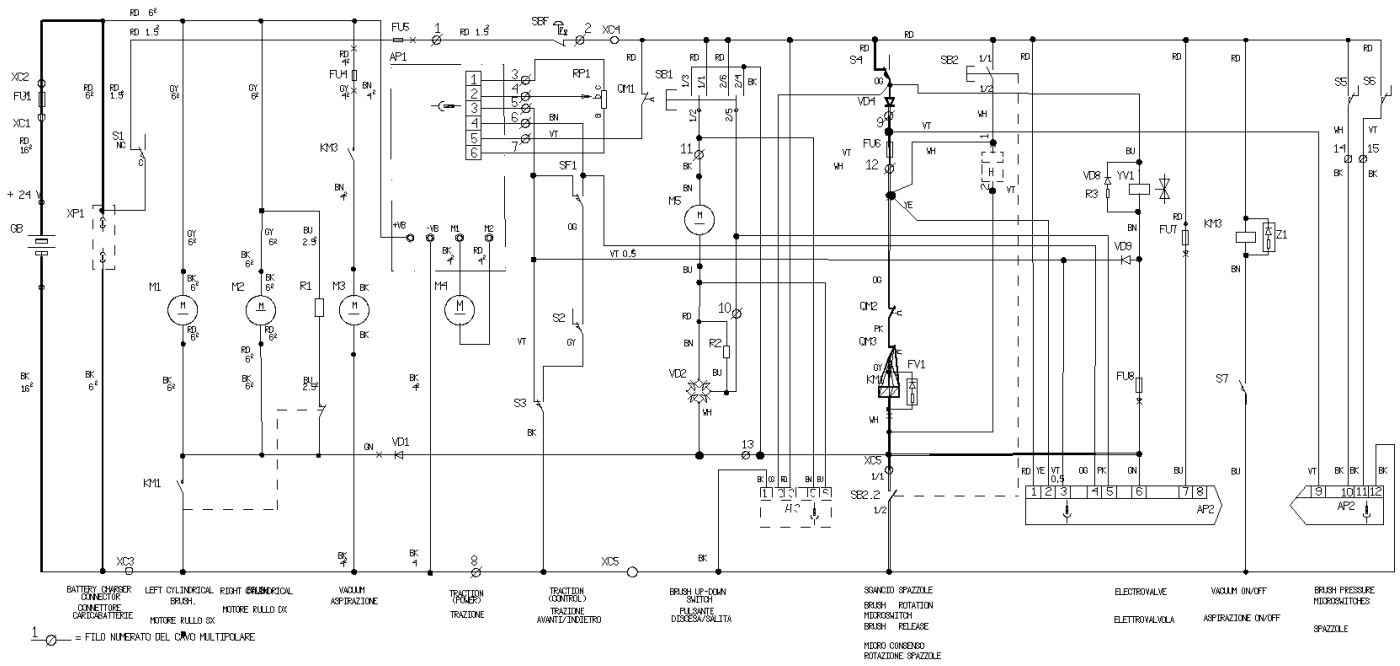
Ref.	Part N.	Description	Quantity	Validity From	Validity To
AP1	3MECE00336	GEARCASE TRAZ. 24V	1		
AP2	3MECE00344	BOARD LED CON 2 RESIST.	1		
FU1	3MEVR01346	FUSE 125 A.	1		
FU4	3MEVR01380	FUSE A LAMA	1		
FU5	3MEVR01316	FUSE A LAMA 10 A. 32V	1		
FU6	3MEVR01132	FUSE A LAMA 5 A.	1		
FU7	3MEVR01132	FUSE A LAMA 5 A.	1		
FU8	3MEVR01132	FUSE A LAMA 5 A.	1		
FV1	3MECI00313	DIODE CPL R=10	1		
FV2	3MECI00313	DIODE CPL R=10	1		
KM1	3METT00056	CONTACTOR T-106	1		
KM3	3METT30650	CONTACTOR 24 V	1		
M1	3MOCC00236	MOTOR SPAZZOLE	1		
M2	3MOCC00236	MOTOR SPAZZOLE	1		
M3	3MOCC00243	MOTOR ASP.TR.24V	1		
M4	3MOCC00235	MOTOR.GEARBOX TRAZIONE CABLATO	1		
M5	3MOCC00226	ATUATOR ALI 1 100MM CABLATO	1		
R1	3MECE00391	RESISTANCE 1 OHM 50 W	1		

Electric Diagram



Ref.	Part N.	Description	Quantity	Validity From	Validity To
R2	3MECE00369	RESISTANCE CORAZZATA 10 OHM 50 WATT	1		
R3	3MECE00358	RESISTANCE 10 OHM 1/2W	1		
RP1	3MEVR01432	POTENTIOMETER A FILO	1		
S1	3MECI00334	MICROSWITCH V4	1		
S2	3MECI36393	MICROSWITCH TRZ. DRW	1		
S3	3MECI36393	MICROSWITCH TRZ. DRW	1		
S4	3MECI36393	MICROSWITCH TRZ. DRW	1		
S5	3MECI38439	MICRO-SWITCH MN-5141	1		
S6	3MECI00303	MICROSWITCH STAGNO X LEVA BLOC. CASS.	1		
S7	3MECI00303	MICROSWITCH STAGNO X LEVA BLOC. CASS.	1		
S8	3MECI38439	MICRO-SWITCH MN-5141	1		
SB1	3MECI46638	COMMUTAT.SWITCH0.CT. 0401/C2	1		
SB2	3MECI00309	SWITCH	1		
VD1	3MECI00281	DIODE P 600 G	1		
VD2	3MECE35767	RECTIFIER LAV. E 450	1		
VD3	3MECI00281	DIODE P 600 G	1		
VD4	3MECI00281	DIODE P 600 G	1		
VD5	3MECI00294	DIODE 1N4007	1		

Electric Diagram



Ref.	Part N.	Description	Quantity	Validity From	Validity To
XC1	3MEVR01116	SUPPORT FUSIBILE 120 A	1		
XC2	3MEVR01116	SUPPORT FUSIBILE 120 A	1		
XC3	3MEVR01116	SUPPORT FUSIBILE 120 A	1		
XC4	3MEVR01222	CLAMP FORBOX E 29	1		
YV1	3MEEV00015	SOLENOID VALVE	1		