

Parts Manual Manuel de pièces



Hurricane 700 XTT

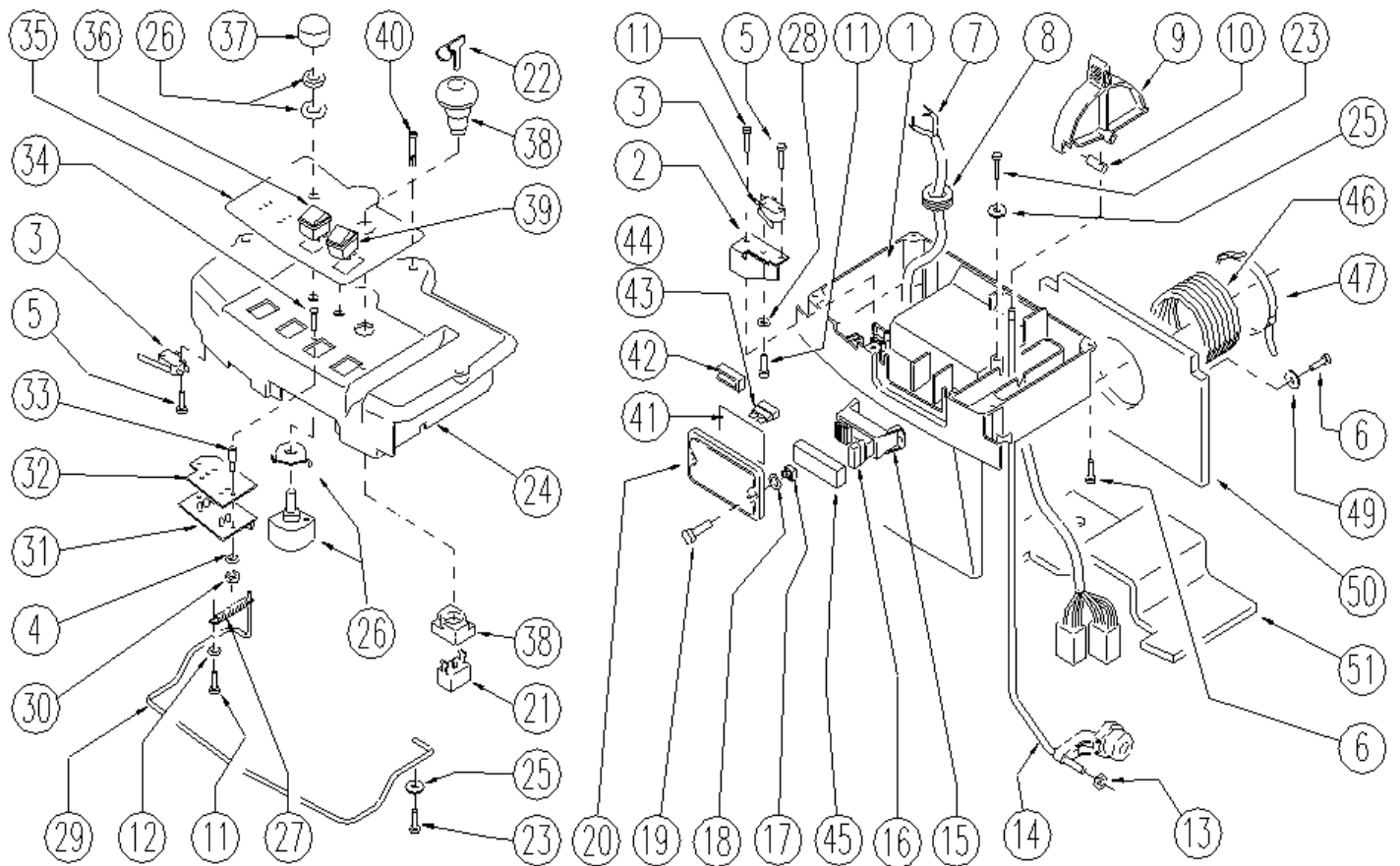
Automatic Scrubber / Auto-récurveuse
Code: 19323

Serial #:
Numéro de série : _____

Date of Purchase:
Date d'achat : _____

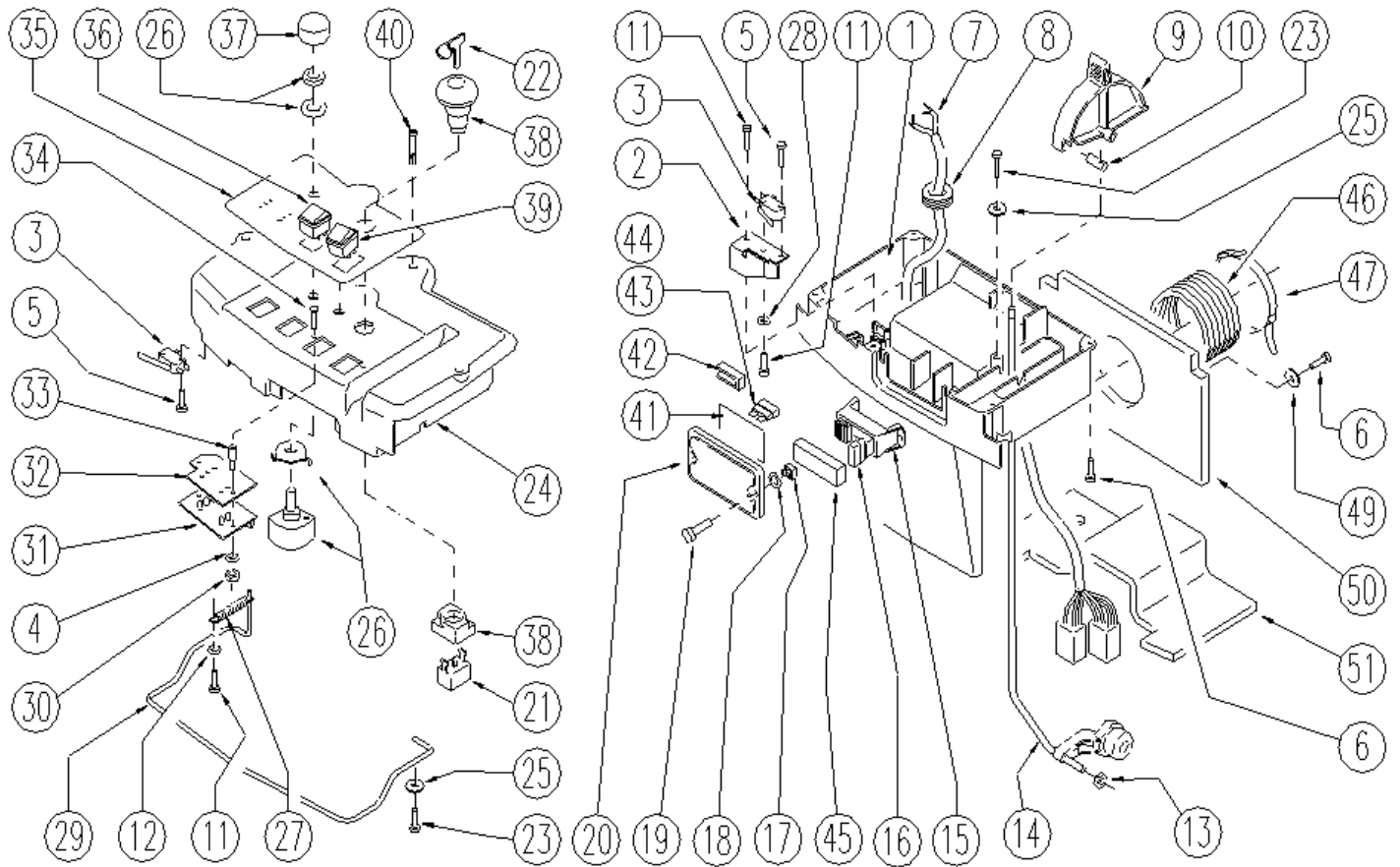
More info / Plus d'info : www.dustbane.ca

Electrical Installation



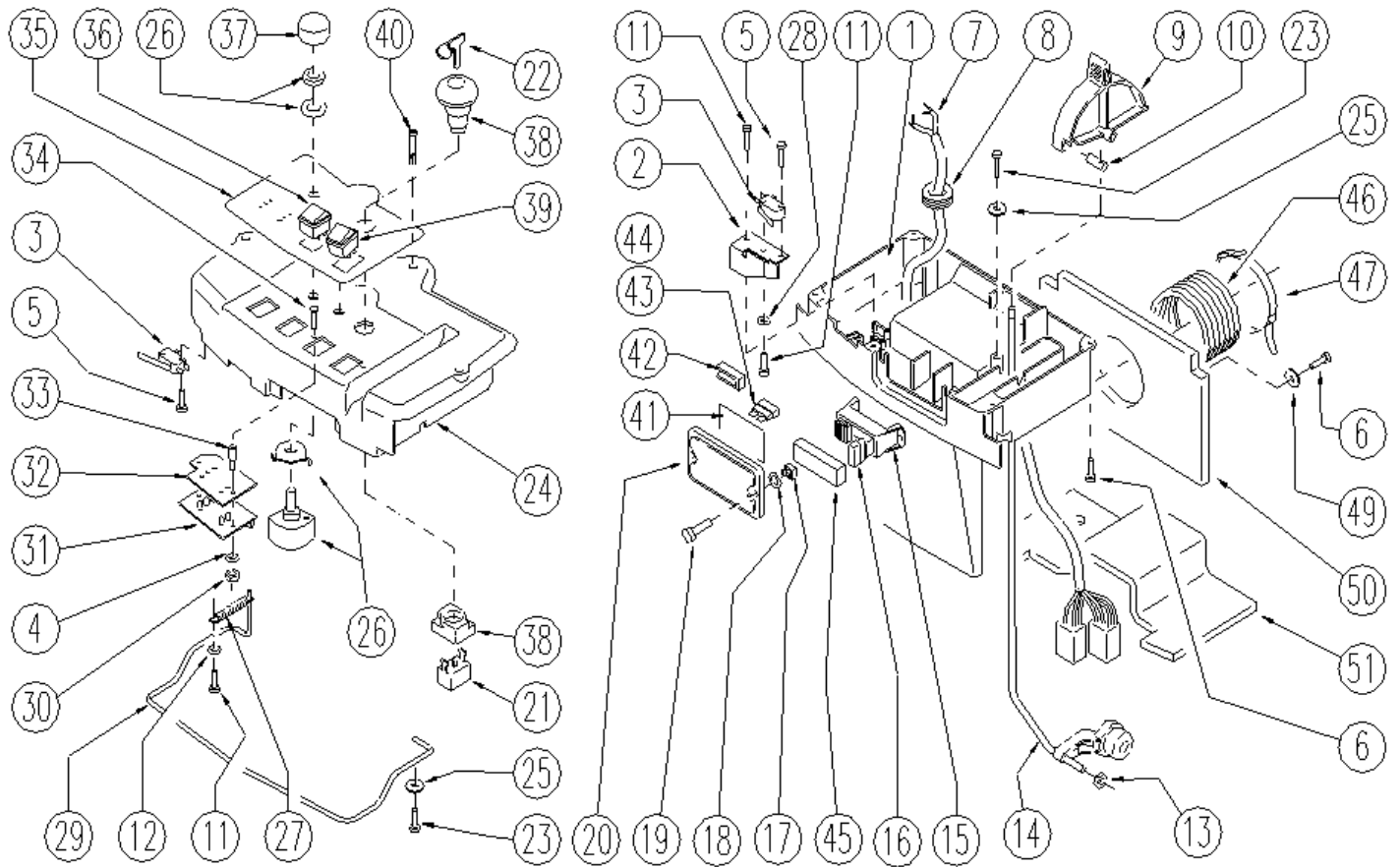
Ref.	Part N.	Description	Quantity	Validity From	Validity To
1	3MPVR03843	PANEL COMMANDS INFER.	1		
2	3LAFN05615	SPRING LEVER ANTISCH./SUPP. MICRO	1		
3	3MECI00310	MICROSWITCH	3		
4	3VTRS00268	WASHER D.3	2		
5	3VTVT00744	SCREW	6		
6	3VTVT28553	SCREW TCB-TC 3.5X16	6		
7	3MECB00773	CABLE COMMAND PANEL	1		
8	3MEVR01331	FAIR-LEAD PVC	1		
9	3MPVR03845	LEVER ADJUSTMENT.	1		
10	3LAFN05103	ARTICULATION TOP	1		
11	3VTVT00820	SCREW TC+ M.3,5-10	5		
12	3VTRS15958	WASHER D. 5 X15 UNI 6593	1		
13	3VTDD00157	NUT M. 6 DIN 985 ZN	1		
14	3LAFN05645	ROD UPPER TAP	1		
15	3MEVR01387	BODY WITHOUT END	1		
16	3MEVR01132	FUSE BLADE 5 A.	4		
17	3VTDD00167	NUT M.6	2		
18	3GUGO00150	NUT	4		

Electrical Installation



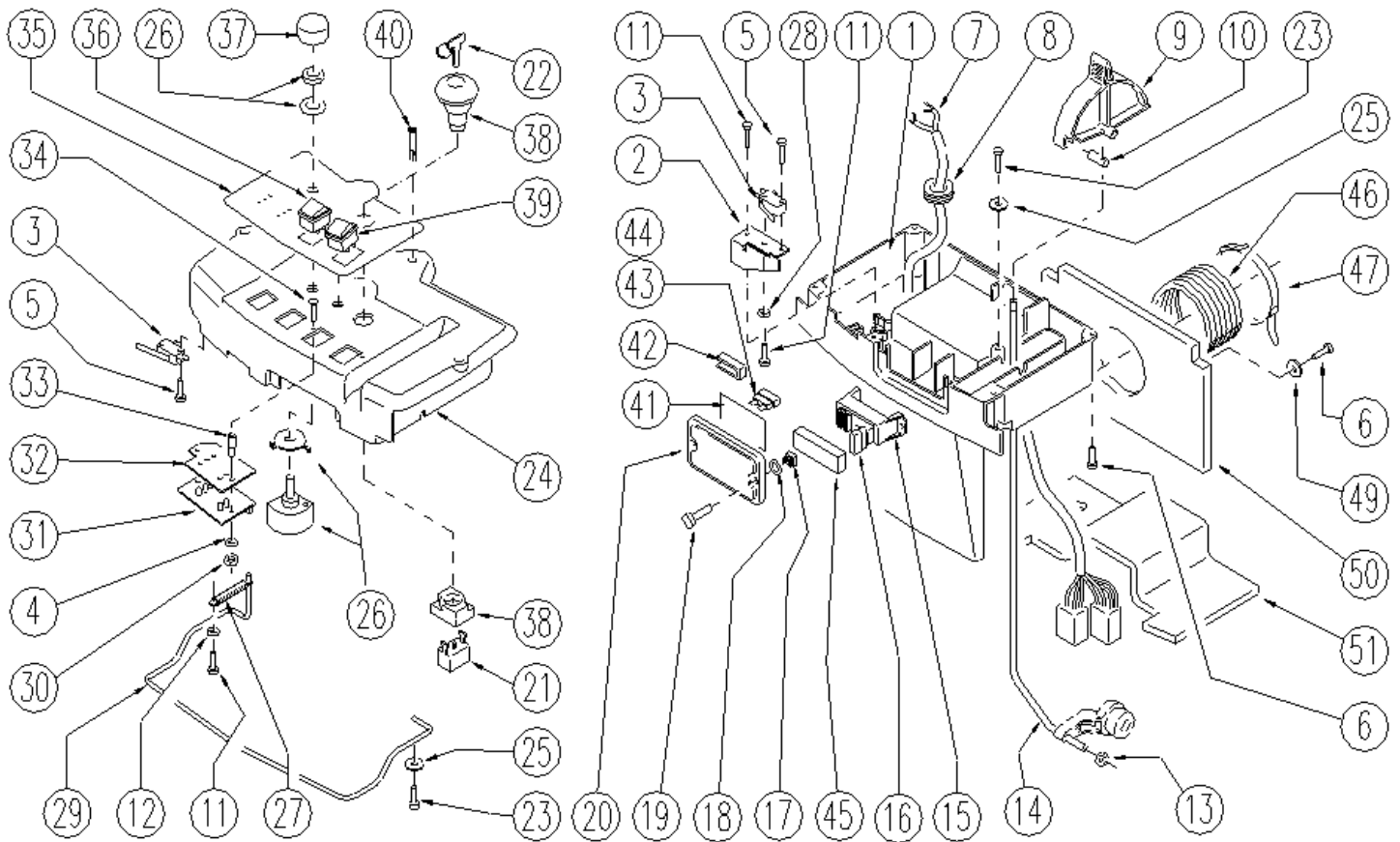
Ref.	Part N.	Description	Quantity	Validity From	Validity To
19	3VTVT00858	SCREW 6X20	2		
20	3MPVR35628	COVER LAV.	1		
21	3MECI00403	CONTACT -	1		
22	3CHVR00051	DIASASS.SPANNERBUTTON MUSHROOM	1		
23	3VTVT07859	SCREW TCB-TC 3.5X13 UNI6954	2		
24	3MPVR03841	PANEL CONTROLS SUPER.	1		
25	3VTRS13750	WASHER D. 5X14 INX	2		
26	3MEVR01432	POTENTIOMETER WIRE	1		
27	3MLML00196	SPRING FOR JOINT HS NADIR	1		
28	3VTRS00501	WASHER D. 4 0.232 UNI 6592	1		
29	3LAFN05584	LEVER TRACTION	1		
30	3VTDD21115	NUT M 3 INOX	2		
31	3MECE00345	BOARD LED INGR.POWER.+RESET	1		
32	3MPVR02781	PLATE LED	1		
33	3LAFN04047	SPACER X SCHEDE M3 15x8x8	2		
34	3VTVT00865	SCREW TSP-TC M 3X 6 UNI7688 INX	2		
35	3ETET01263	LABEL PANN.CONTROLS	1		
36	3MECI46638	COMMUTAT.SWITCH00401/C2	1		

Electrical Installation



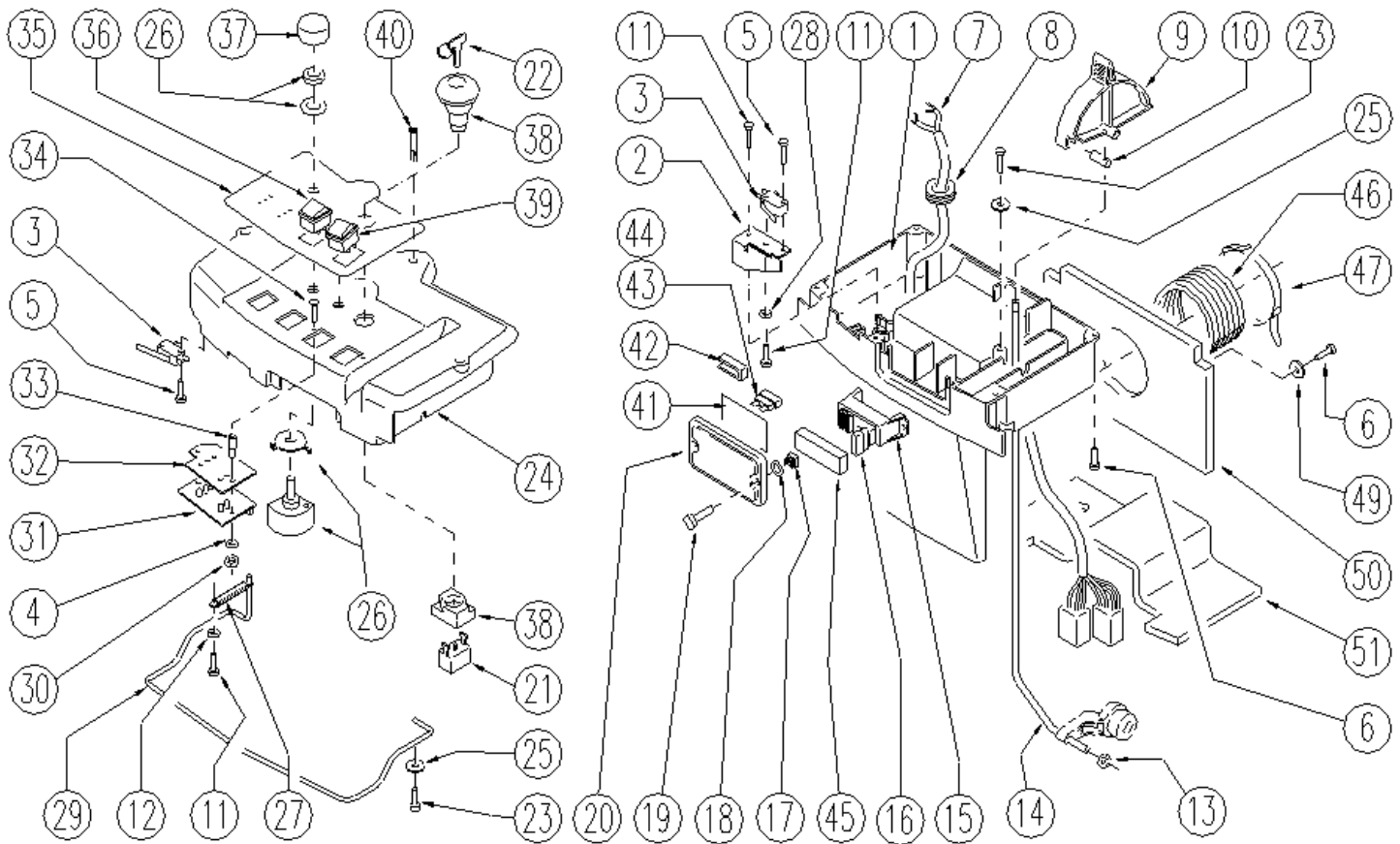
Ref.	Part N.	Description	Quantity	Validity From	Validity To
37	3MPVR36404	KNOB SPECTROL 635M.NE	1		
38	3MECI00323	BUTTON MUSHROOM	1		
39	3MECI00309	SWITCH	1		
40	3MPVR02940	KLIP D. 6,5 L=15	1		
41	3ETET01328	LABEL WARNING FUSE	1		
42	3MEVR01153	FUSE	1		
43	3MEVR01316	FUSE BLADE10 A. 32V	1		
44	3MEVR01380	FUSE BLADE	1		
45	3MEVR01383	COVER PVC TRASP.	1		
46	3TBBP00225	TUBE D 80-320 MM	1		
47	3FSVR00083	CLAMP 62-82	1		
49	3VTRS00291	WASHER D. 5 X20 ZC UNI 6593	2		
50	3ITSO00031	SOUND-PROOFING WALL POST. PANN.COM.SK	1		
51	3ITSO00032	SOUND-PROOFING WALL INFER.PANN.COM.SK	1		

Control Board



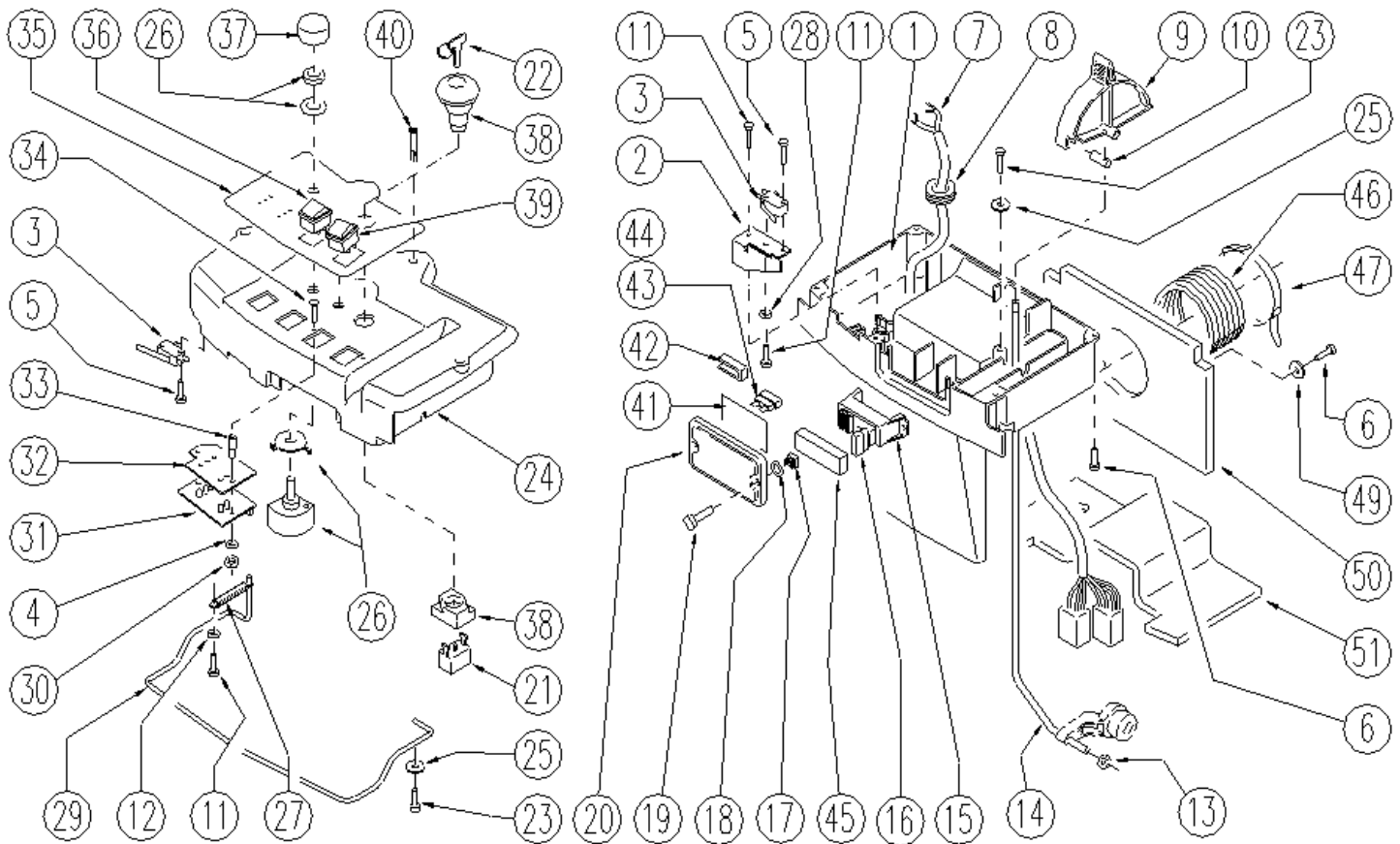
Ref.	Part N.	Description	Quantity	Validity From	Validity To
1	3MPVR03843	PANEL CONTROLS INFER.	1		
2	3LAFN05615	SPRING LEVER ANTISCH./SUPP. MICRO	1		
3	3MECI00310	MICROSWITCH	3		
4	3VTRS00268	WASHER D.3	2		
5	3VTVT00744	SCREW	6		
6	3VTVT28553	SCREW TCB-TC 3.5X16	6		
7	3MECB00773	CABLE CONTROLS PANEL	1		
8	3MEVR01331	FAIR-LEAD PVC	1		
9	3MPVR03845	LEVER ADJUSTMENT.	1		
10	3LAFN05103	ARTICULATION TOP	1		
11	3VTVT00820	SCREW TC+ M.3,5-10	5		
12	3VTRS15958	WASHER D. 5 X15 UNI 6593	1		
13	3VTDD00157	NUT M. 6 DIN 985 ZN	1		
14	3LAFN05645	ROD UPPER TAP	1		
15	3MEVR01387	BODY WITHOUT END	1		
16	3MEVR01132	FUSE BLADE 5 A.	4		
17	3VTDD00167	NUT M.6	2		
18	3GUGO00150	NUT	4		

Control Board



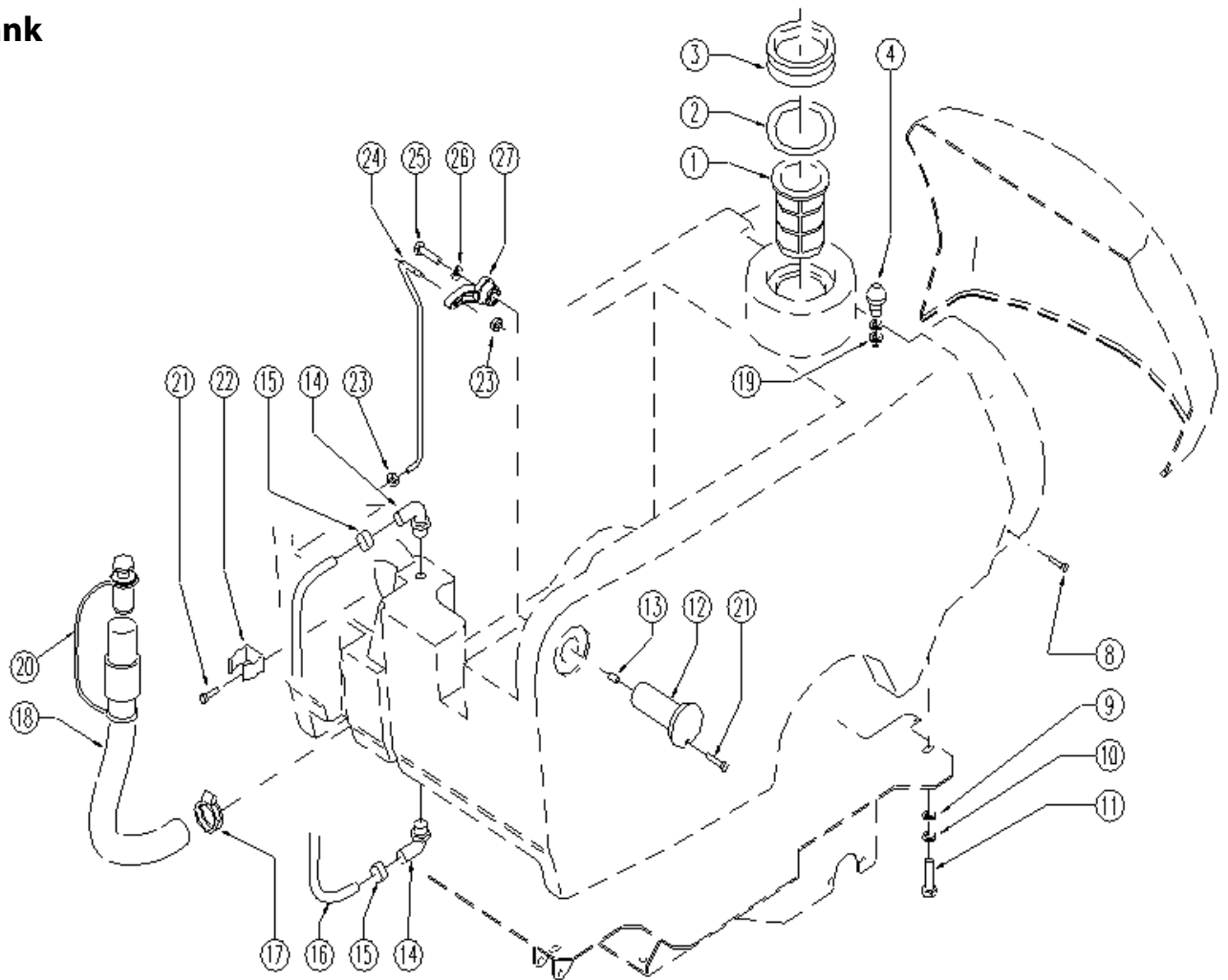
Ref.	Part N.	Description	Quantity	Validity From	Validity To
19	3VTVT00858	SCREW 6X20	2		
20	3MPVR35628	COVER LAV.	1		
21	3MECI00403	CONTACT -	1		
22	3CHVR00051	DIASASS.SPANNER BUTTON MUSHROOM	1		
23	3VTVT07859	SCREW TCB-TC 3.5X13 UNI6954	2		
24	3MPVR03841	PANEL CONTROLS SUPER.	1		
25	3VTRS13750	WASHER D. 5X14 INX	2		
26	3MEVR01432	POTENTIOMETER WIRED	1		
27	3MLML00196	SPRING FOR JOINT HS NADIR	1		
28	3VTRS00501	WASHER D. 4 0.232 UNI 6592	1		
29	3LAFN05584	LEVER TRACTION	1		
30	3VTDD21115	NUT M 3 INOX	2		
31	3MECE00346	BOARD LED	1		
32	3MPVR02781	PLATE LED	1		
33	3LAFN04047	SPACER X SCHEDE M3 15x8x8	2		
34	3VTVT00865	SCREW TSP-TC M 3X 6 UNI7688 INX	2		
35	3ETET01263	LABEL PANN.CONTROLS	1		
36	3MECI46638	COMMUTAT.SWITCH0.CT. 0401/C2	1		

Control Board



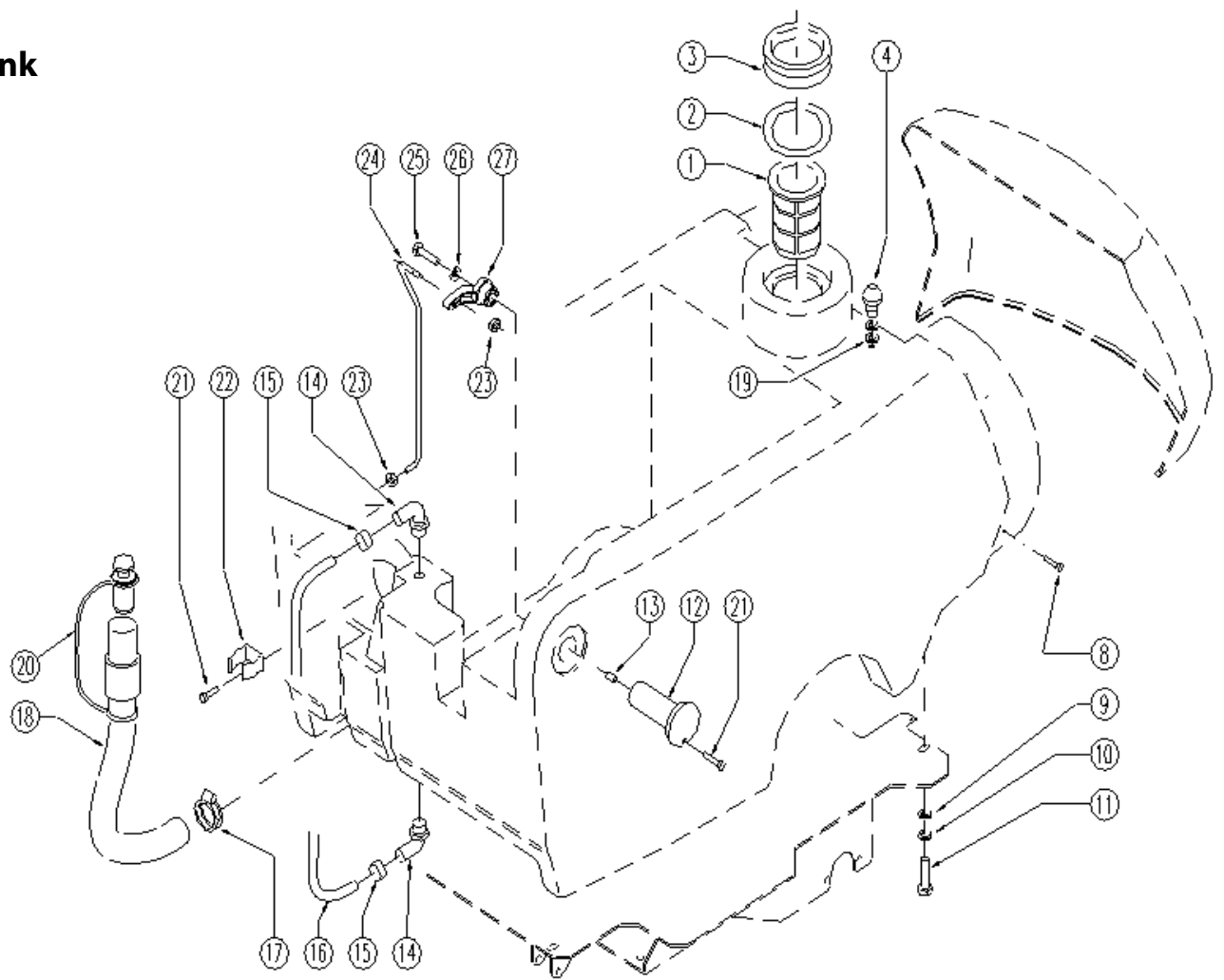
Ref.	Part N.	Description	Quantity	Validity From	Validity To
37	3MPVR36404	KNOB SPECTROL 635M.NE	1		
38	3MECI00323	BUTTON MUSHROOM	1		
39	3MECI00309	SWITCH	1		
40	3MPVR02940	KLIP D. 6,5 L=15	1		
41	3ETET01328	LABEL WARNING FUSE	1		
42	3MEVR01153	FUSE	1		
43	3MEVR01316	FUSE BLADE 10 A. 32V	1		
44	3MEVR01380	FUSE BLADE	1		
45	3MEVR01383	COVER PVC TRASP.	1		
46	3TBBP00225	TUBE D 80-320 MM	1		
47	3FSVR00083	CLAMP 62-82	1		
49	3VTRS00291	WASHER D. 5 X20 ZC UNI 6593	2		
50	3ITSO00031	SOUND-PROOFING WALL POST. PANN.COM.SK	1		
51	3ITSO00032	SOUND-PROOFING WALL INFER.PANN.COM.SK	1		

Water Tank



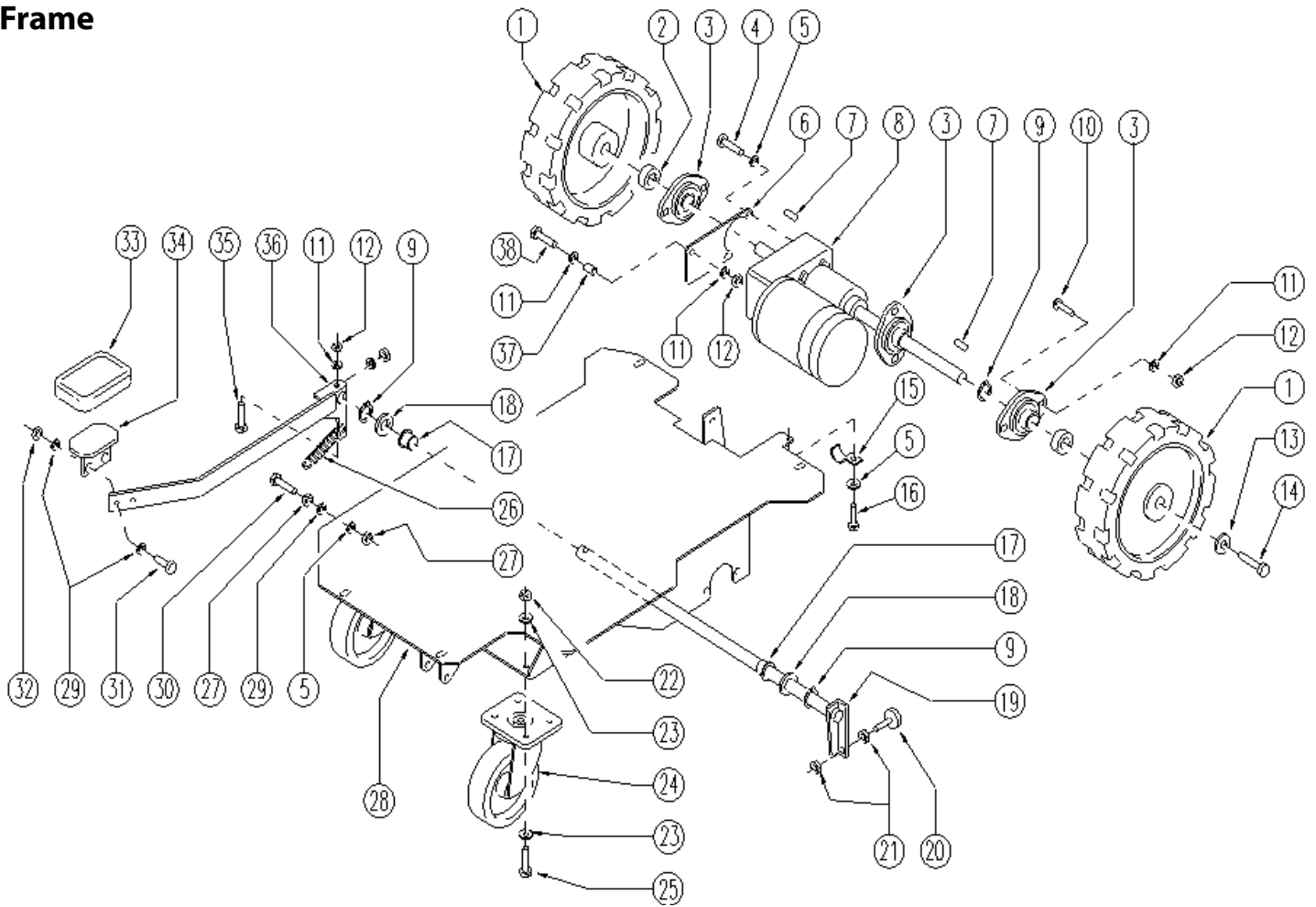
Ref.	Part N.	Description	Quantity	Validity From	Validity To
1	3FTAC48857	FILTER ASP. WATER SERB. LAVAP.	1		
2	3GUVR48858	GASKET SRB.SHK	1		
3	3GUVR48859	GASKET SHK	1		
4	3LAFN04044	PIN OPENING THE TANK	1		
8	3VTVT00874	SCREW TTL CARVING M. 5-10	4		
9	3VTRS15524	WASHER D.10	4		
10	3VTRS15909	WASHER D.10	4		
11	3VTVT00455	SCREW TE 10X20 UNI5739	4		
12	3MPVR48695	PIN SHK.BK	2		
13	3VTVR48693	INSERT M6 D.9	1		
14	3RCVR45752	HOSE FITTING "L" 3/8M - D.10 PLS.	2		
15	3FSVR00096	CLAMP 10-16 INOX	2		
16	3TBBP00202	TUBE D 10 L=420 MM	1		
17	3FSVR43136	CLAMP D. 35-40 DF.	1		
18	3TBFX00360	TUBE PU	1	03/2013	
19	3VTRS15523	WASHER D.10 X21 INOX UNI 6592	2		
21	3VTVT48694	SCREW TCB TC 5 X12 UNI 9707 TZ	4		
22	3MPVR46988	CLIP LAV. SHK	1		

Water Tank



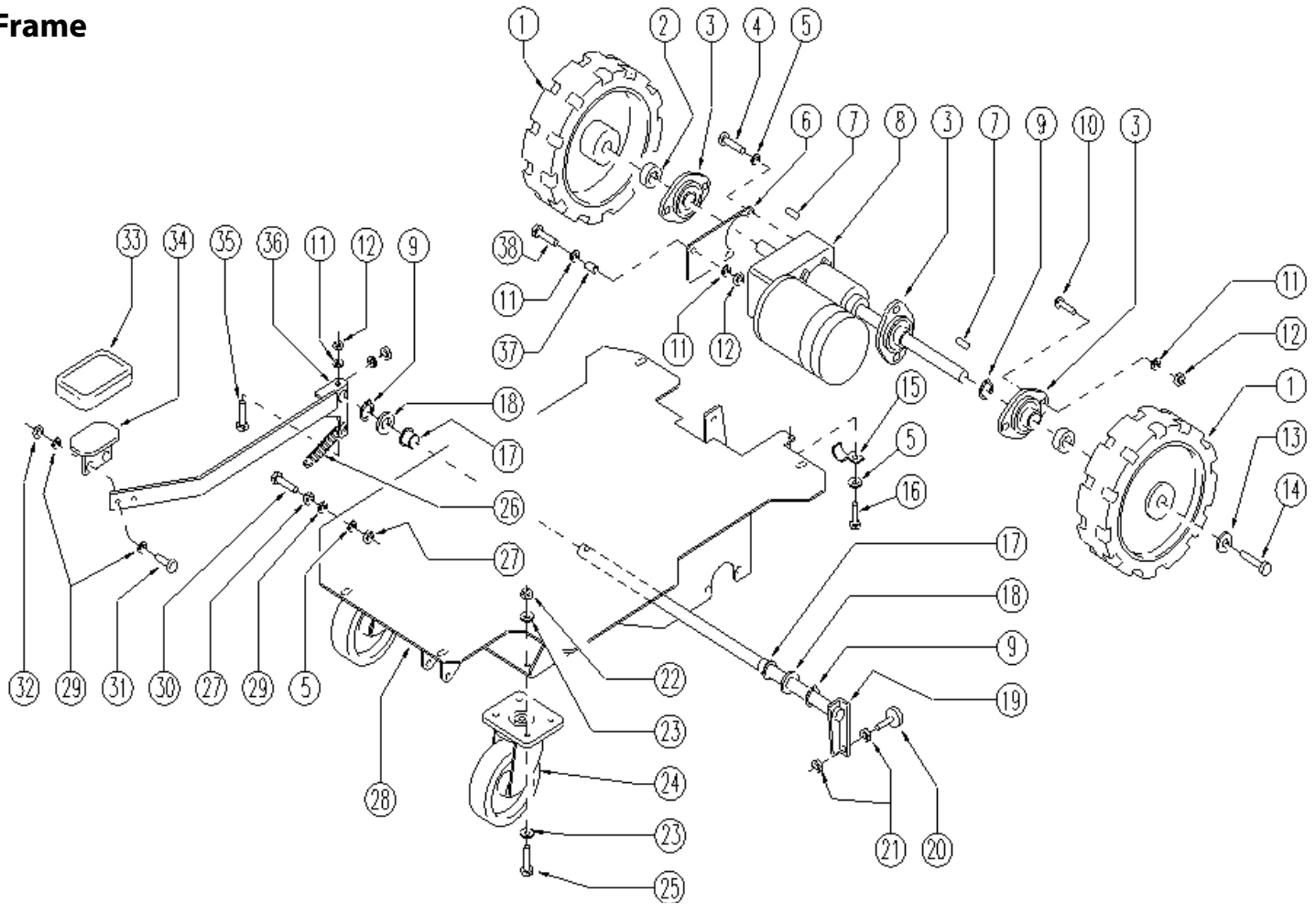
Ref.	Part N.	Description	Quantity	Validity From	Validity To
23	3VTDD15518	NUT M 6 INX	2		
24	3LAFN05609	ROD LOWER TAP	1		
25	3VTVT15906	SCREW TE 6X 12 A2 UNI 5739	1		
26	3VTRS00239	WASHER D.6-18	1		
27	3MPVR49471	LEVER SHK	1		

Frame



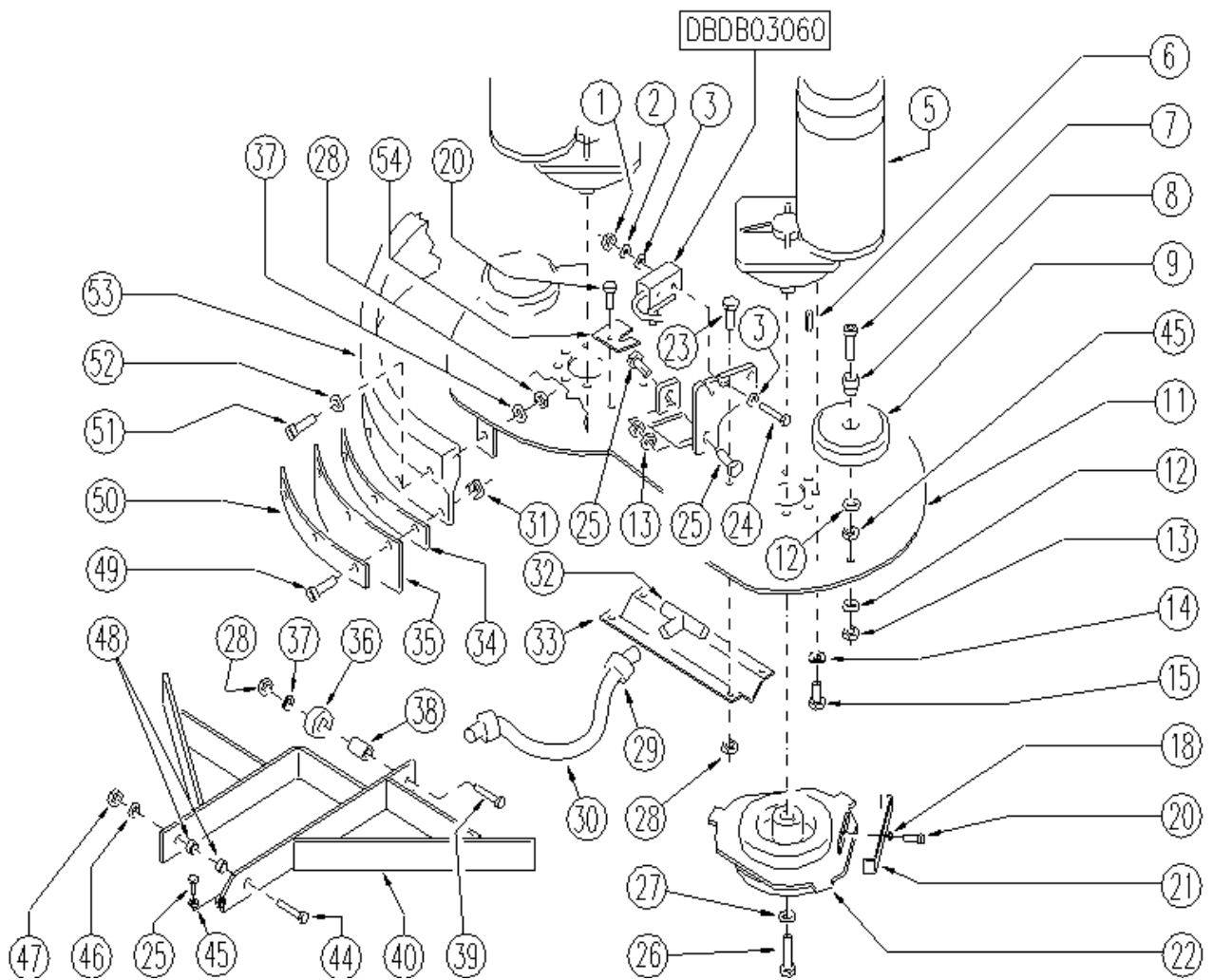
Ref.	Part N.	Description	Quantity	Validity From	Validity To
1	3RTRT00542	WHEEL D.250X60	2		
2	3LAFN05311	SPACER X BEARING	2		
3	3CUVR00105	SUPPORT	3		
4	3VTVT15143	SCREW TE 6X16 UNI5739	2		
5	3VTRS15144	WASHER D. 6 INX GRW UNI 1751	4		
6	3LAFN05617	PLATE FIXING TRACTION MOTOR	1		
7	3VTVR33668	KEY 6x 6x40 UNI 6604A	2		
8	3MOCC00235	MOTOR.GEARBOX TRACTION WIRED	1		
9	3VTAE00050	RING ARREST TREE	3		
10	3VTVT00842	SCREW	6		
11	3VTRS13947	WASHER D. 8 INX UNI 6592	9		
12	3VTDD01695	NUT M 8 INX	7		
13	3VTRS00278	WASHER D.8X32 ZINC.WHITE 6593	2		
14	3VTVT00779	SCREW TBEI M.8-16	2		
15	3FSVR00104	CLAMP XRIGID	1		
16	3VTVT15906	SCREW TE 6X 12 A2 UNI 5739	1		
17	3CUVR44348	BUSHING CB 85 2010 31T	2		
18	3VTRS00287	WASHER D20 GALVANIZED BIA.UNI 6592	2		

Frame



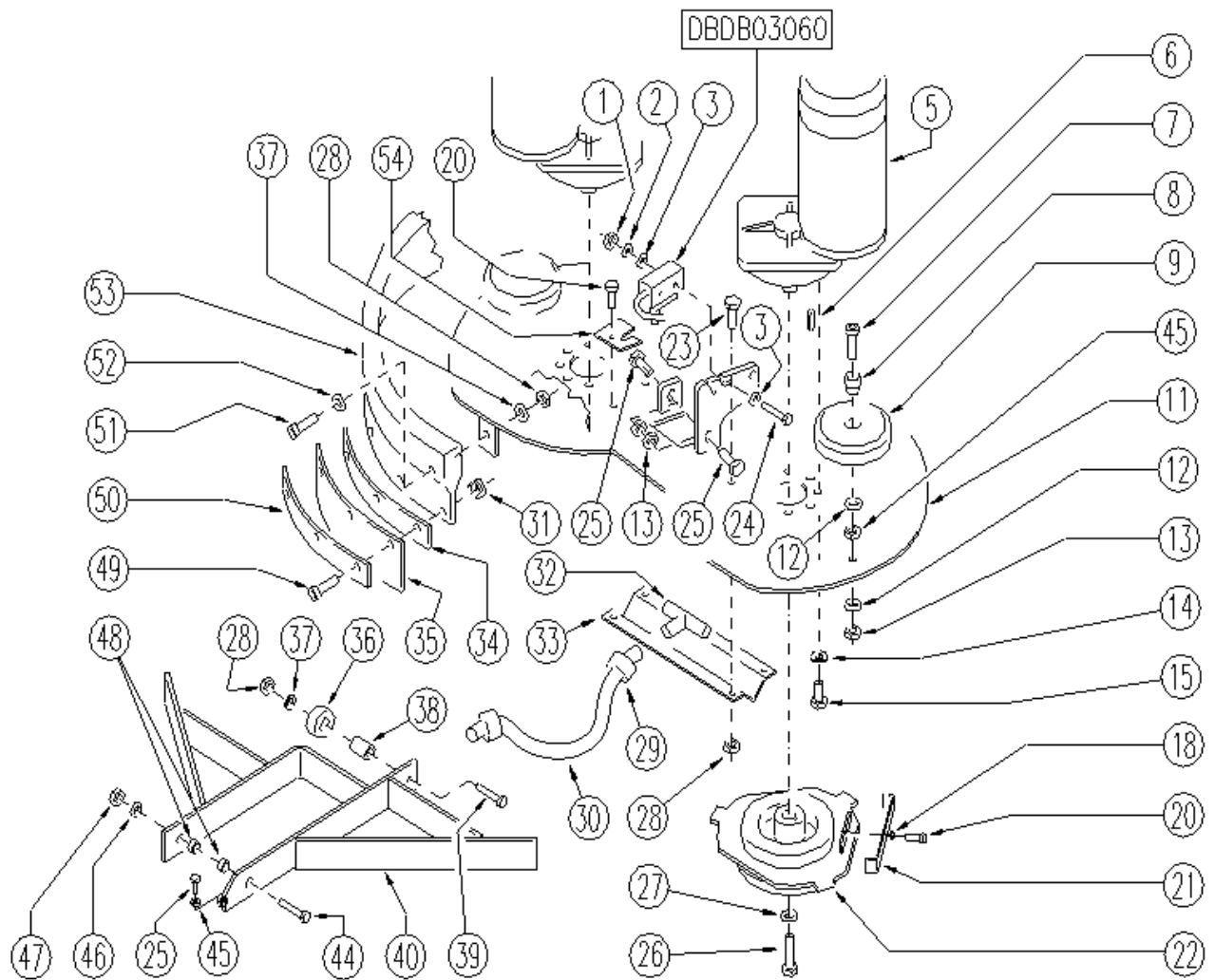
Ref.	Part N.	Description	Quantity	Validity From	Validity To
19	3LAFN05840	AXLE BRAKE	1		
20	3MPVR04162	CAP BRAKE	2		
21	3VTDD15521	NUT M 8 INX A2 UNI 5588	4		
22	3VTDD00042	NUT AUT.M10 UNI7474	8		
23	3VTRS00236	WASHER D.10 UNI 6592 ZINC. FLAT	16		
24	3RTRT49041	TURNING WHEEL D.125 BNDT	2		
25	3VTVT03640	SCREW TE 10X25 UNI5740	8		
26	3MLML00147	SPRING	1		
27	3VTDD15520	NUT M 6 A2 UNI 5588 INX	2		
28	3LAFN05592	FRAME PANTHER	1		
29	3VTRS00245	WASHER D.6 UNI 6592 INOX	5		
30	3VTVT00701	SCREW TE M.6-30	1		
31	3VTVT13939	SCREW TE 6X20 UNI5739 INX	2		
32	3VTDD01694	NUT M6 INOX	2		
33	LAFN29988	PROTECTION TIG.300	1		
34	3LAFN35599	BRAKE PEDAL LAV. BT	1		
35	3VTVT00708	SCREW TE M. 8-40	1		
36	3LAFN05841	LEVER BRAKE	1		
37	3LAFN03913	BUSHING LEVER COVER	1		
38	3VTVT13937	SCREW TE M 8X 30 INX UNI 5739	1		

Head



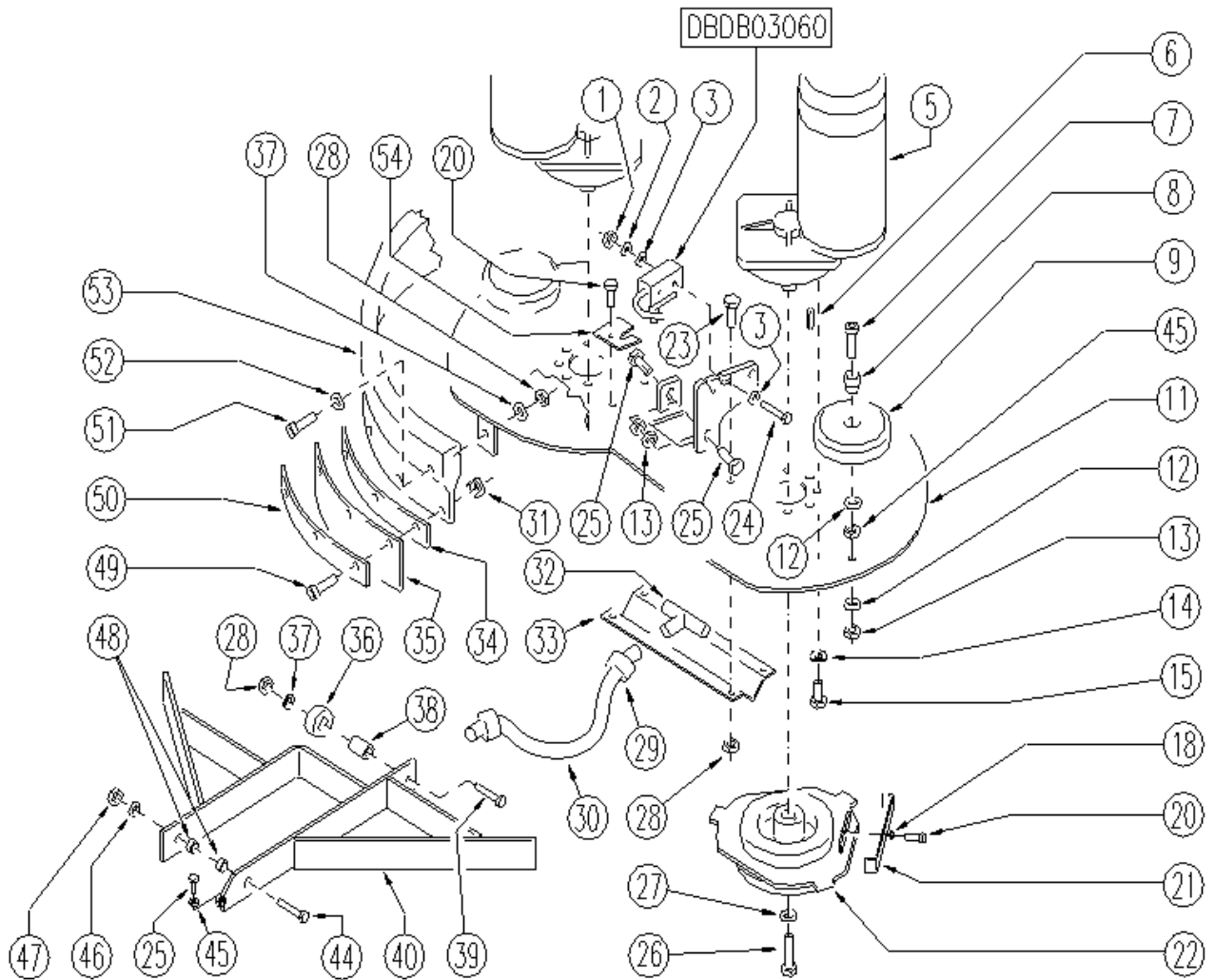
Ref.	Part N.	Description	Quantity	Validity From	Validity To
1	3VTDD15925	NUT M 4 INX	2		
2	3VTRS15913	WASHER D. 4 GROVER A2 UNI1751	2		
3	3VTRS00251	WASHER 4-16 INOX A2	4		
5	3MEVR33562	CARBON 10X18X18 400W 12V	8		
5	3MOCC00143	MOTOR MRP6 V24	2		
6	3VTVR21944	KEY 6X6X30	2		
7	3VTVT00775	SCREW TCEI M 8X40 ZC.BK UNI5931	2		
8	3LAFN03915	BUSHING NEW WHEEL STRONG	2		
9	3RTRT43370	CASTER D.100 2V.	2		
11	3LAFN05610	PLATE HEAD	1		
12	3VTRS13947	WASHER D. 8 INX UNI 6592	2		
13	3VTDD01695	NUT M 8 INX	4		
14	3VTRS15144	WASHER D. 6 INX GRW UNI 1751	14		
15	3VTVT15906	SCREW TE 6X 12 A2 UNI 5739	14		
18	3VTRS15913	WASHER D. 4 GROVER A2 UNI1751	2		
20	3VTVT21887	SCREW TCB-TC 4X10 8112	3		
21	3MLML00230	SPRING ANTI-RELEASE 70 X FLANGE	2		
22	3MFVR00212	DRIVE DISK	2		
23	3VTVT00787	SCREW TBEI M 6-16	4		

Head



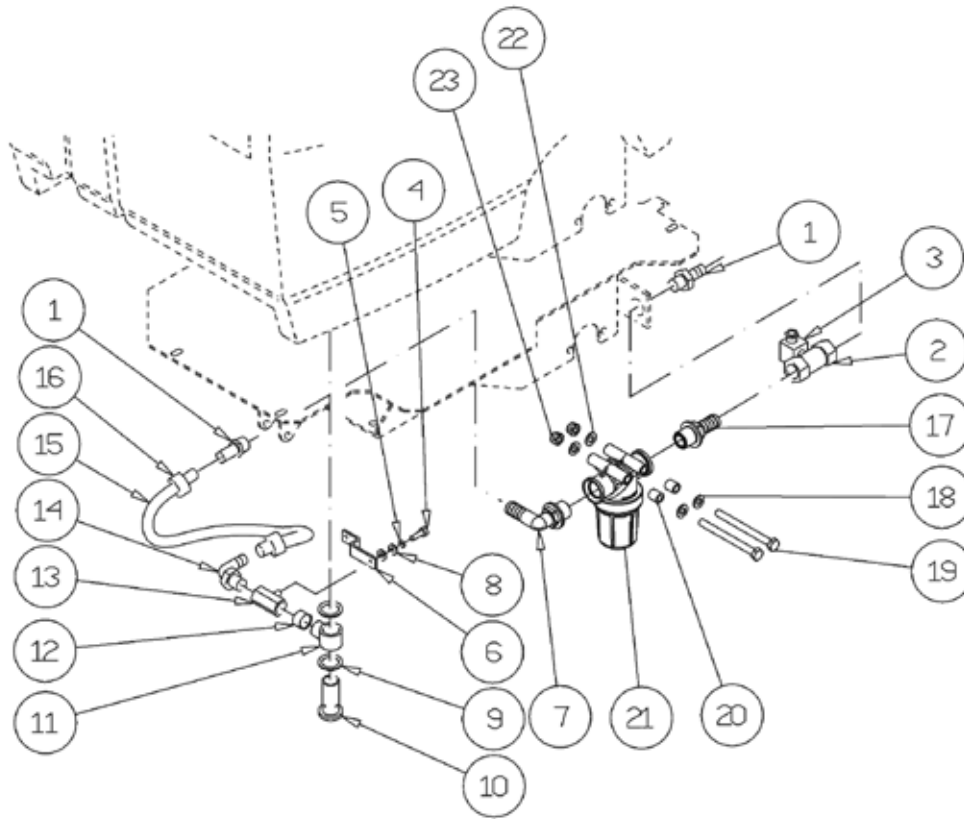
Ref.	Part N.	Description	Quantity	Validity From	Validity To
24	3VTVT20824	SCREW TE M 4X 40 UNI 5739 ZC	2		
25	3VTVT15907	SCREW TE 8X25 UNI5739 INX	3		
26	3VTVT00179	SCREW TSPEI M 8X30	3		
27	3VTRS00289	WASHER D.10,5-40	2		
28	3VTDD15518	NUT M 6 INX	10		
29	3FSVR00091	CLAMP 14-24	2		
30	3TBBP00362	TUBE	1		
31	3VTDD00175	NUT M.6 ROUND FILET.4 TIPS	6		
32	3RCVR00483	CONNECTOR 3 VIE	1		
33	3LAFN05642	DISTRIBUTOR WATER HEAD 71	1		
34	3MPVR02815	THICKNESS X FLAP	2		
35	3MPVR02786	FLAP HEAD	2		
36	3RTRT49413	WHEEL D. 60-D.15 X36 NYL.	1		
37	3VTRS00245	WASHER D.6 UNI 6592 INOX	6		
38	3LAFN04041	SPACER D6/15	1		
39	3VTVT00655	SCREW TE M. 6-55	1		
40	3LAFN05654	BRACKET CENTERING BRUSHES 70	1		
44	3VTVT00868	SCREW TE M12-140	1		

Head



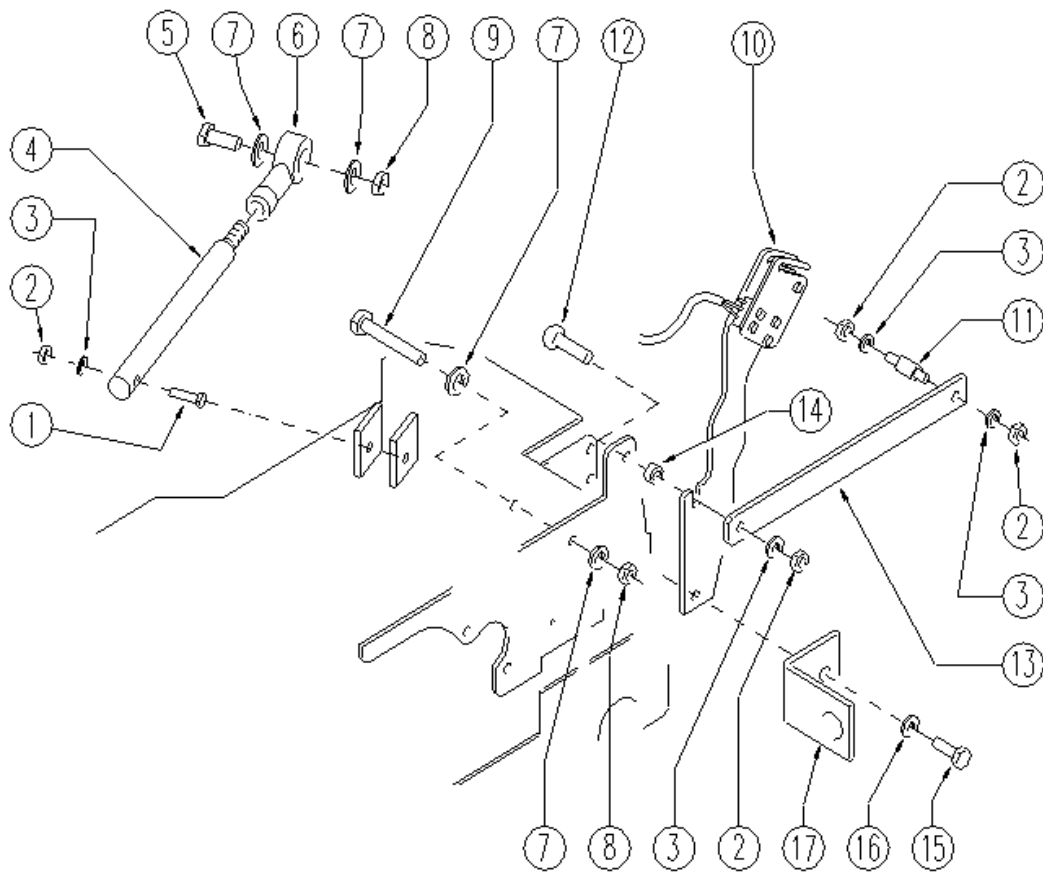
Ref.	Part N.	Description	Quantity	Validity From	Validity To
45	3VTDD15521	NUT M 8 INX A2 UNI 5588	1		
46	3VTRS00232	WASHER D.12 UNI 6592 ZINC.	1		
47	3VTDD00131	NUT M.12 AUT. DIN 982 ZINC	1		
48	3LAFN03721	BUSHING PEDAL	2		
49	3VTVT00858	SCREW 6X20	6		
50	3MPVR02792	FLAP PRESS NYLON BLACK SP2	2		
51	3VTVT00818	SCREW TBEI 6X35	5		
52	3VTRS13945	WASHER D. 6X18 INX UNI 6593	5		
53	3MPVR02772	BUMPER HEAD 71	1		
54	3LAFN05671	PLATE BARB HEAD	1		

Water Pipe



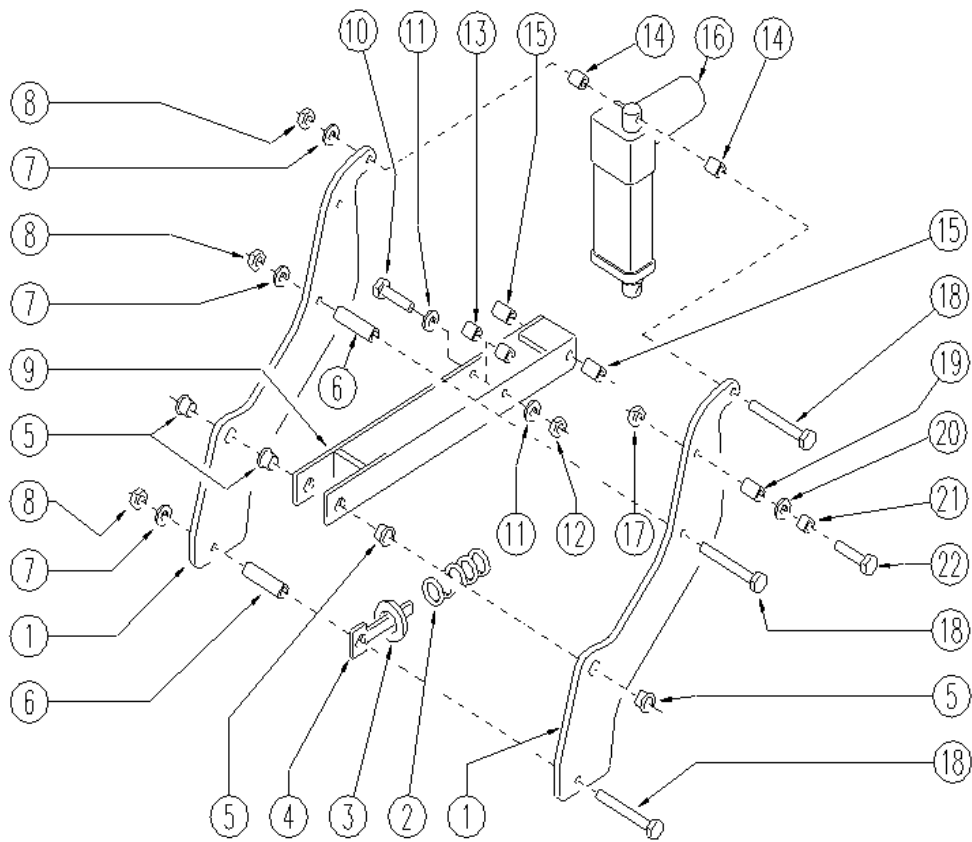
Ref.	Part N.	Description	Quantity	Validity From	Validity To
1	3RCVR00795	CONNECTOR 3/4	1	03/2015	
2	3MEEV00015	SOLENOID VALVE	1	03/2015	
3	3MEVR01155	CONNECTOR SOLENOID	1	03/2015	
4	3VTVT00834	SCREW M 3X 6 TCB-TC IX U.7687	1	03/2015	
5	3VTRS00251	WASHER 4-16 INOX A2	1	03/2015	
6	3LAFN05724	LEVER TAP	1	03/2015	
7	3RCVR00537	CONNECTOR MASCH.G1/2 BARB	1	03/2015	
8	3VTRS13947	WASHER D. 8 INX UNI 6592	2	03/2015	
9	3VTRS00567	WASHER 1/2	2	03/2015	
10	3RCDS49623	SCREW G 1/2 L=41.5	1	03/2015	
11	3RCDS49622	CONNECTOR OCC 1/2 - 1/2M	1	03/2015	
12	3MPVR02862	COVER FISSAG.SERB.	1	03/2015	
13	3RCGR00065	TAP F/F 1/2"	1	03/2015	
14	3RCVR00537	CONNECTOR MASCH.G1/2 BARB	1	03/2015	
15	3TBBP00322	TUBE	1	03/2015	
16	3FSVR00091	CLAMP 14-24	2	03/2015	
17	3RCVR00514	CONNECTOR 1/2 M BARB 15	1	03/2015	
18	3VTRS13947	WASHER D. 8 INX UNI 6592	2	03/2015	
19	3VTVT01321	SCREW TE 8X90 UNI5739	2	03/2015	
20	3RCDS31040	BUSHING D. 8X 12X13	2	03/2015	
21	3FTAC00038	FILTER G1/2 INOX	1	03/2015	
22	3VTRS13947	WASHER D. 8 INX UNI 6592	2	03/2015	
23	3VTDD01695	NUT M 8 INX	2	03/2015	

Head



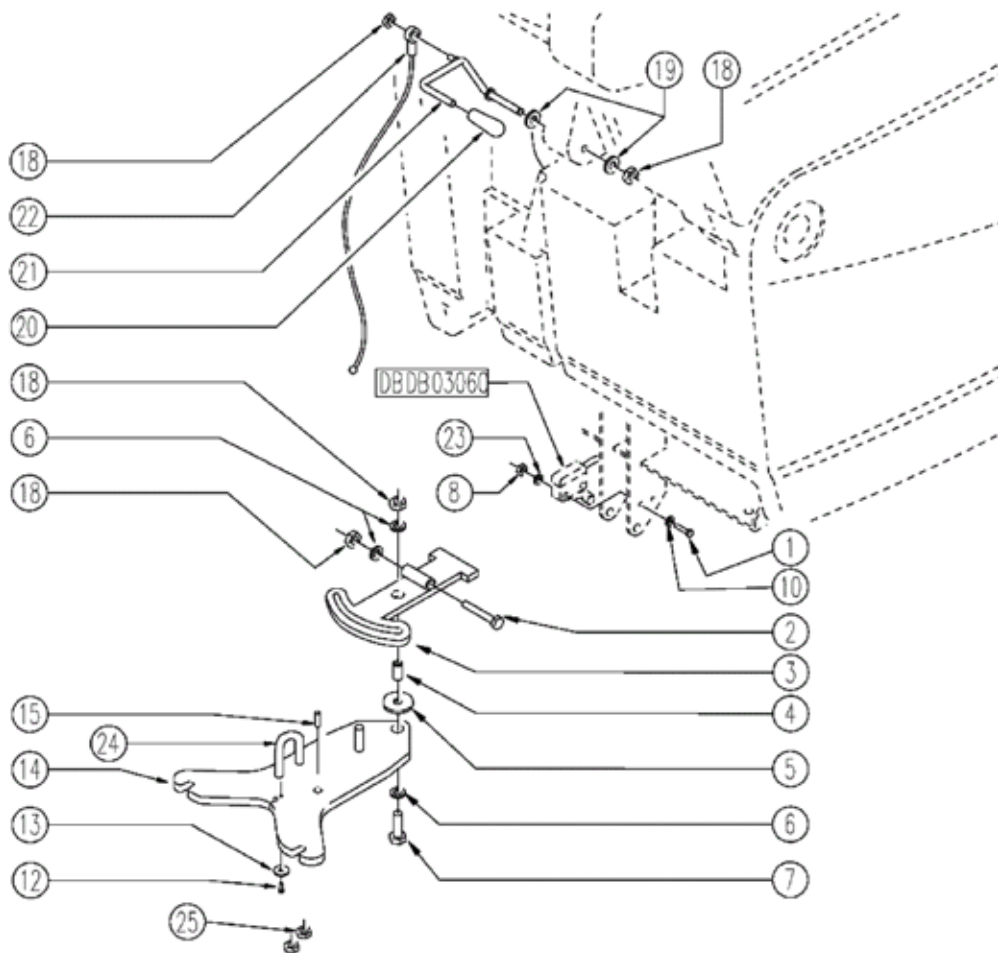
Ref.	Part N.	Description	Quantity	Validity From	Validity To
1	3VTVT15371	SCREW TE M 8X45 INOX A2 UNI	1		
2	3VTDD01695	NUT M 8 INX	4		
3	3VTRS13947	WASHER D. 8 INX UNI 6592	4		
4	3LAFN05600	LEVER SIDE	1		
5	3VTVT00467	SCREW TE M 12X45 ZINC. UNI 5737	1		
6	3VTVR00267	ARTICULATION BALL D.12	1		
7	3VTRS00232	WASHER D.12 UNI 6592 ZINC.	4		
8	3VTDD00131	NUT M.12 AUT. DIN 982 ZINC	2		
9	3VTVT00285	SCREW TE M12X110	1		
10	3MECB00504	GROUP WIRING	1		
11	3LAFN04113	PIN LEVER TOP	1		
12	3VTVT00781	SCREW TSPEI M.8-25	1		
13	3LAFN05604	LEVER TOP	1		
14	3RCDS35584	BUSHING D. 8X12X 4.3	1		
15	3VTVT13938	SCREW TE 8X20 UNI5739 INX	1		
16	3VTRS01080	WASHER D. 8 GRW	1		
17	3LAFN05643	BRACKET SOLENOID	1		

Head



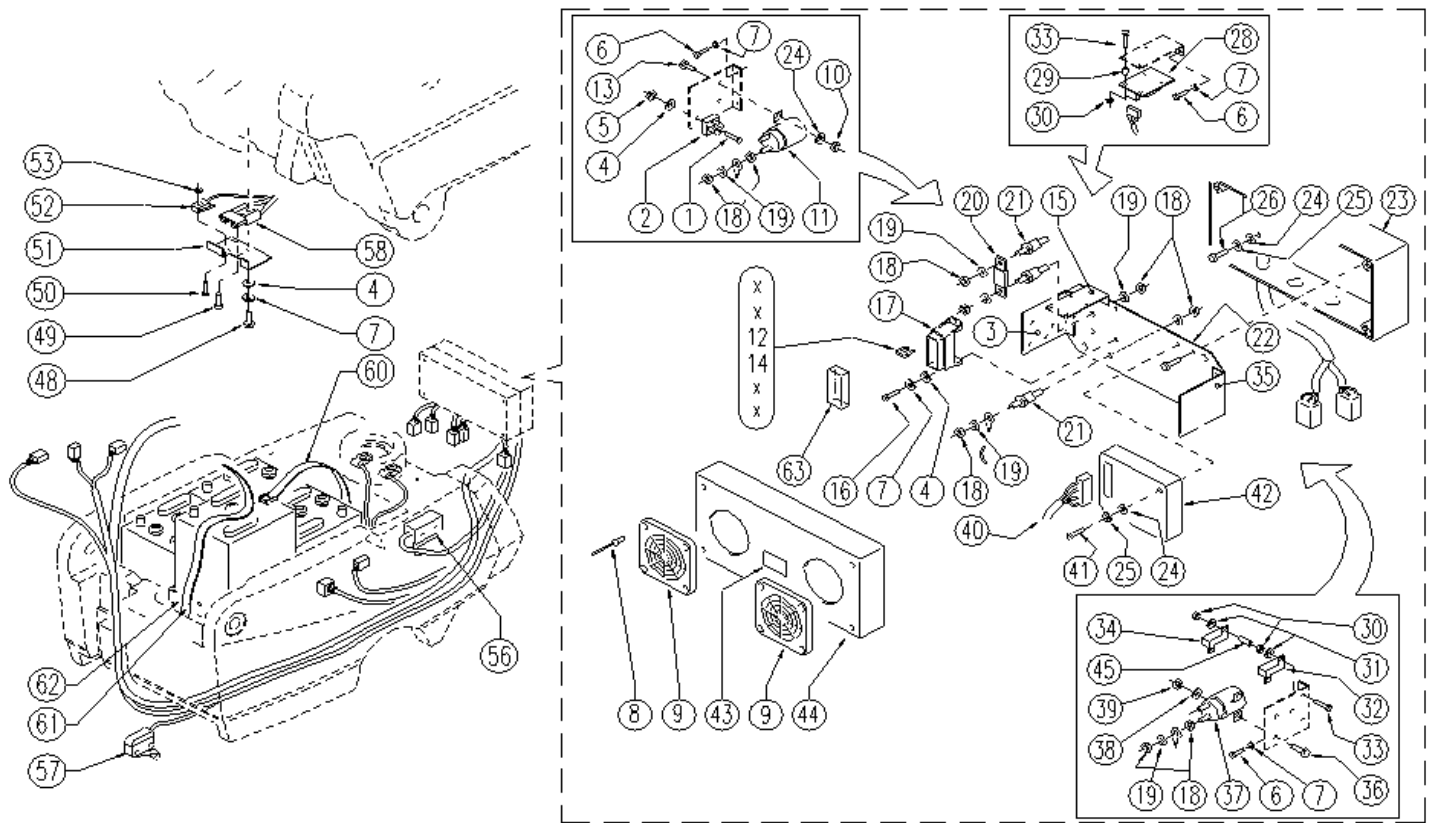
Ref.	Part N.	Description	Quantity	Validity From	Validity To
1	3LAFN05593	BRACKET	2		
2	3MLML00227	SPRING COMPRESS.	1		
3	3VTRS00250	WASHER D.14	1		
4	3LAFN05594	SPRING GUIDE	1		
5	3CUVR00130	BEARING CREEP	4		
6	3LAFN04043	SPACER D8.5-15	2		
7	3VTRS13947	WASHER D. 8 INX UNI 6592	3		
8	3VTDD01695	NUT M 8 INX	3		
9	3LAFN05605	ARM	1		
10	3VTVT00867	SCREW	1		
11	3VTRS00245	WASHER D.6 UNI 6592 INOX	3		
12	3VTDD15518	NUT M 6 INX	1		
13	3LAFN03840	BUSHING	2		
14	3LAFN04042	SPACER D8.5-15	2		
15	3RCDS34717	BUSHING D. 9X12X 8.3	2		
16	3MOCC00226	ATUATOR ALI 1 100MM WIRED	1		
17	3VTDD01694	NUT M6 INOX	1		
18	3VTVT00734	SCREW TE M. 8-80	3		
19	3LAFN04187	SPACER FOR REDUCING	1		
20	3VTRS13945	WASHER D. 6X18 INX UNI 6593	1		
21	3LAFN03742	SPACER MUFFLER	1		
22	3VTVT15145	SCREW TE 6X40 UNI5739 INX	1		

Support



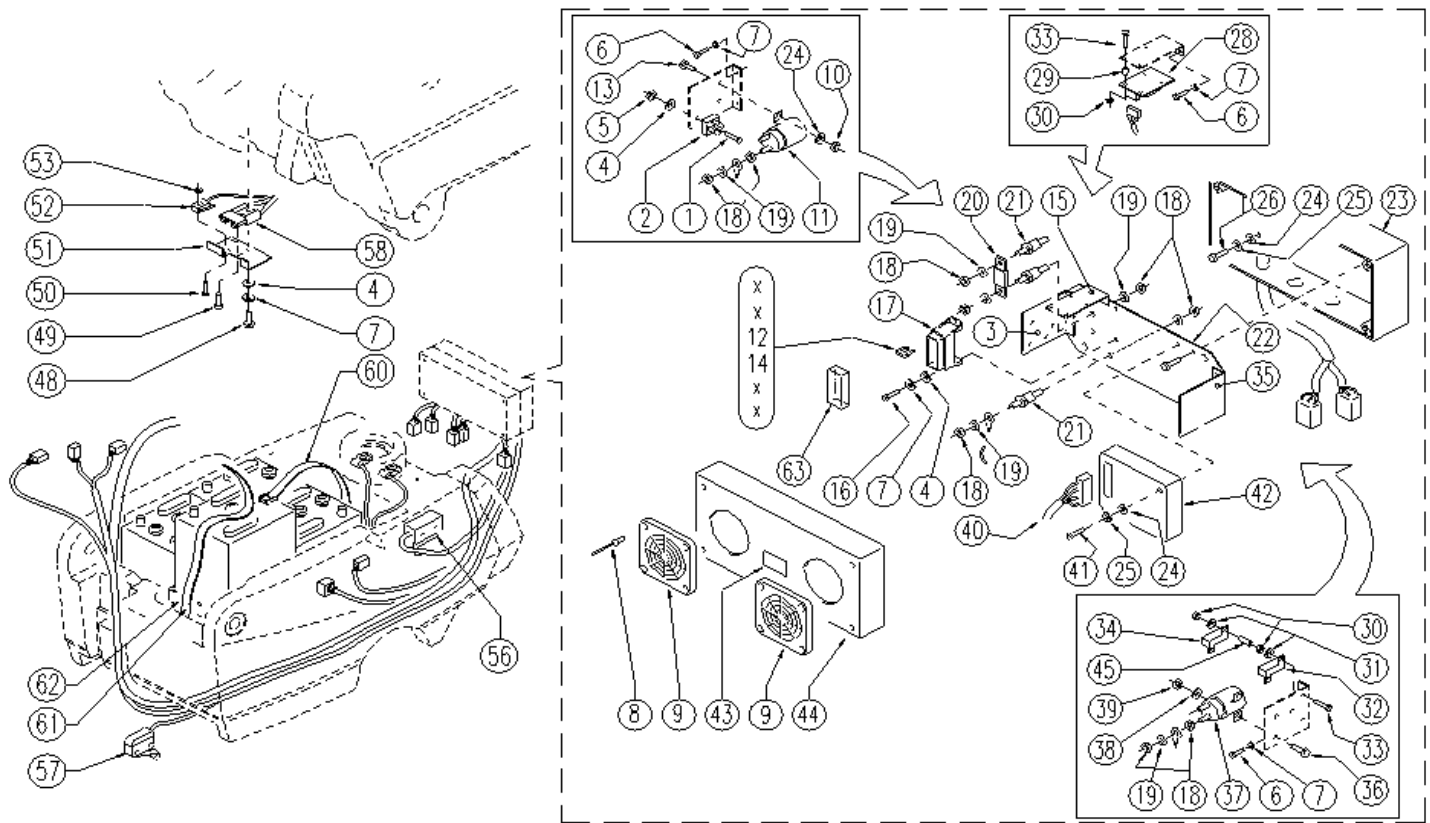
Ref.	Part N.	Description	Quantity	Validity From	Validity To
1	3VTVT00732	SCREW	2		
2	3VTVT00757	SCREW	1		
3	3LAFN09009	SUPPORT	1	06/2012	
4	3LAFN03957	BUSHING WHEEL	1		
5	3VTRS15978	WASHER D.12X24 UNI 6592 INX	1	06/2012	
6	3VTRS13947	WASHER D. 8 INX UNI 6592	3		
7	3VTVT00410	SCREW TE M8x35 UNI5739 INOX	1		
8	3VTDD15925	NUT M 4 INX	2		
10	3VTRS00501	WASHER D. 4 0.232 UNI 6592	2		
14	3LAFN09241	PLATE	1	02/2013	
15	3VTVT01200	GRUB SCREW M8 X 16 INOX	1		
18	3VTDD01695	NUT M 8 INX	3		
19	3VTRS13946	WASHER D. 8 X24 INX UNI 6593	2		
20	3VTVR49226	HANDWHEEL F M10 D.82	1		
21	3LAFN49035	LEVER LAV. SHK	1		
22	3MTCR00105	CHAIN	1	03/2015	
23	3VTRS15913	WASHER D. 4 GROVER A2 UNI1751	2		
24	3LAFN09231	BRACKET M6X11X29	1	02/2013	
25	3VTDD01694	NUT M6 INOX	2	02/2013	

Electrical Installation



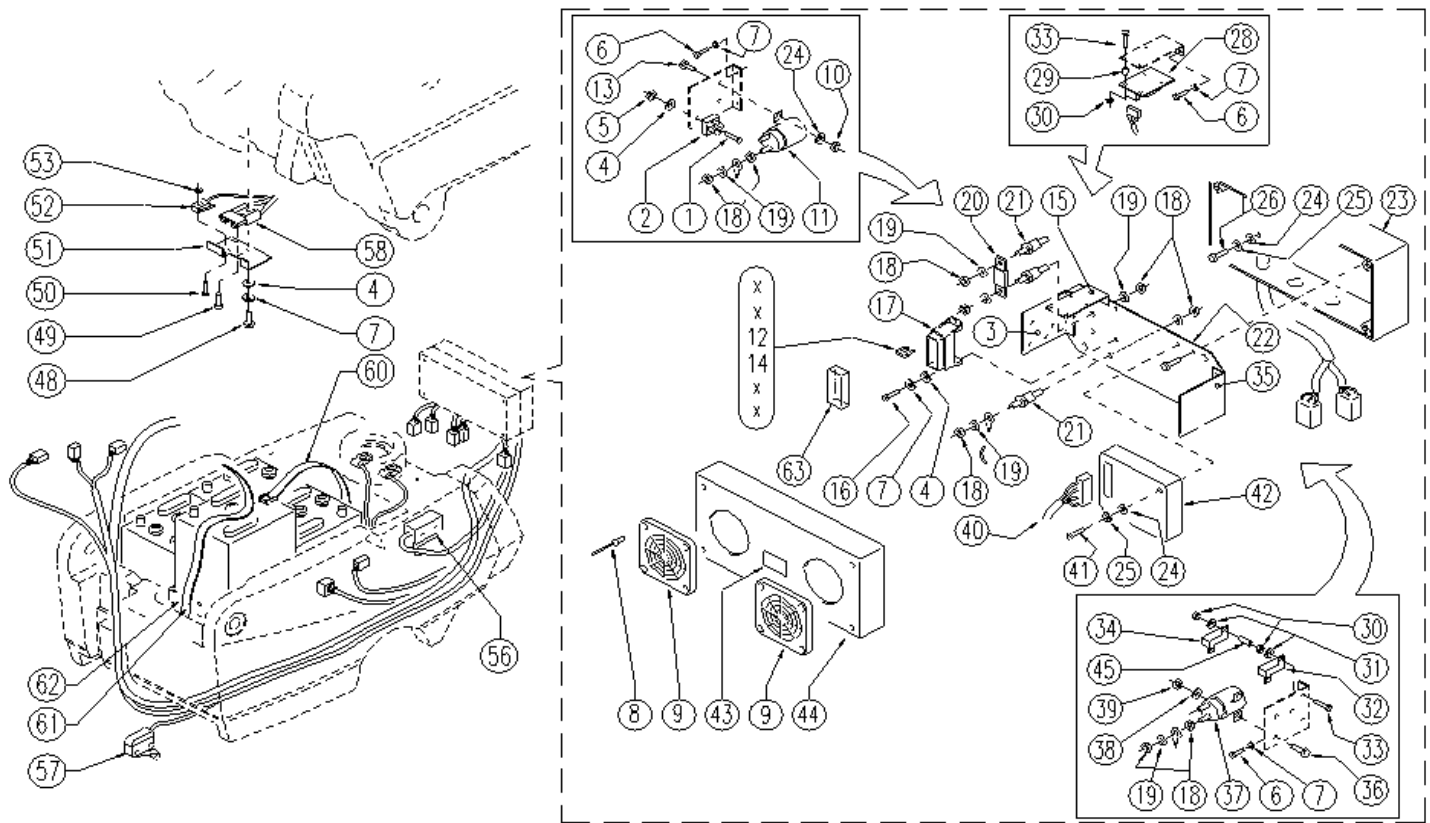
Ref.	Part N.	Description	Quantity	Validity From	Validity To
1	3VTVT00704	SCREW TE M 4X 16 UNI5739 INOX	1		
2	3MECE35767	RECTIFIER LAV. E 450	1		
3	3LAFN05613	BRACKET BRIDGE DIODES	1		
4	3VTRS00501	WASHER D. 4 0.232 UNI 6592	10		
5	3VTDD04369	NUT M 4 TEF UNI 7473	2		
6	3VTVT00754	SCREW TC+ M. 4-10	4		
7	3VTRS15913	WASHER D. 4 GROVER A2 UNI1751	6		
8	3VTVR00238	RIVET 4-10 ALUMINIUM	8		
9	3MPVR02797	BRACKET FINGER	2		
10	3VTDD15517	NUT M 5 INX	2		
11	3METT45116	CONTACTOR 24V T106 P	1		
12	3MEVR01380	FUSE BLADE	1		
13	3VTVT34115	SCREW TE M 5X 10 UNI 5739	2		
14	3MEVR01316	FUSE BLADE 10 A. 32V	1		
15	3LAFN05927	CARRYNG BAG	1		
16	3VTVT00725	SCREW TC+ M.4-12	2		
17	3MEVR01386	FUSE CARRIER BLADE 6 PLACES	1		
18	3VTDD10776	NUT M 8 X1 UNI 5588	18		
19	3VTRS01080	WASHER D. 8 GRW	14		

Electrical Installation



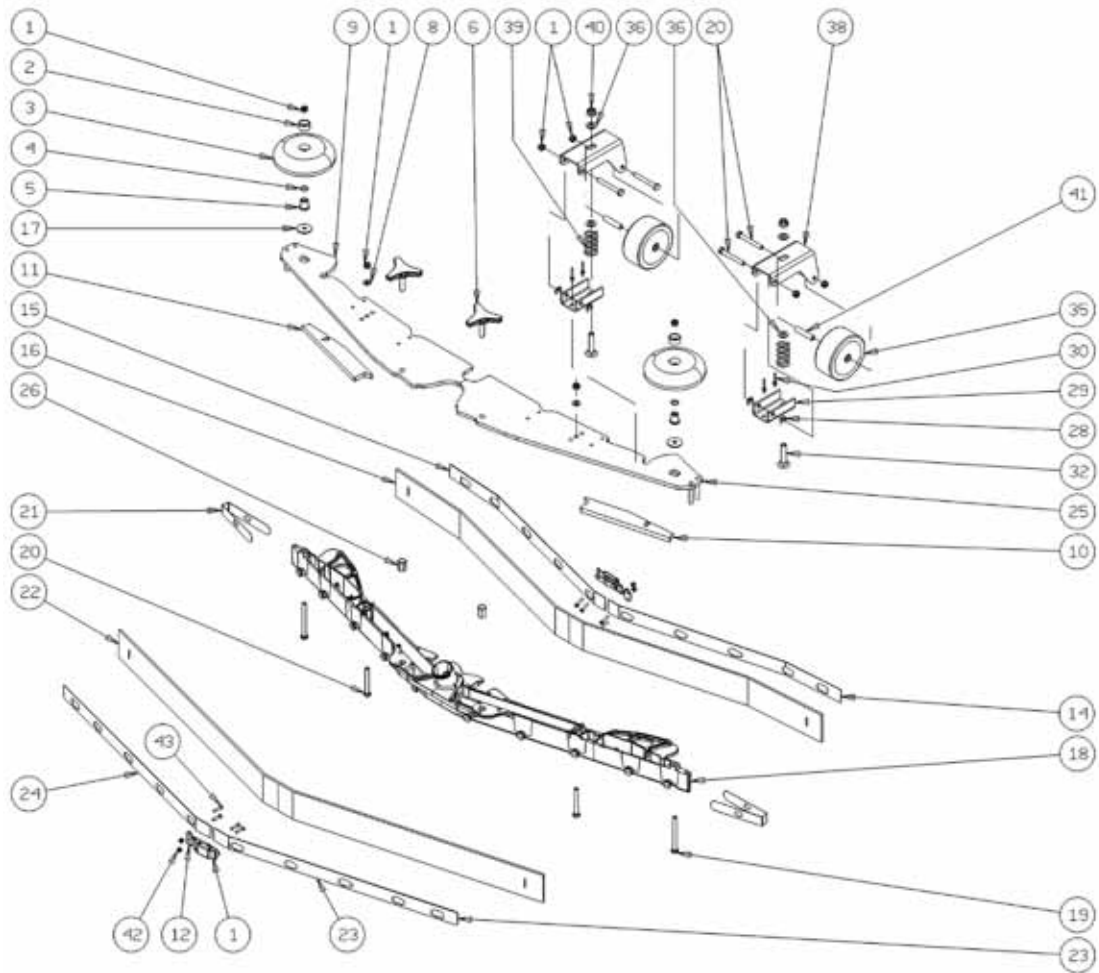
Ref.	Part N.	Description	Quantity	Validity From	Validity To
20	3MEVR01346	FUSE 125 A.	1		
21	3MEVR01116	SUPPORT FUSE 120 A	3		
22	3LAFN05612	PLATE ELECTRIC	1		
23	3MEVR01556	BOX BASE	1		
24	3VTRS00516	WASHER D. 5 INX	6		
25	3VTRS15908	WASHER D. 5 INX GRW UNI 1751	4		
26	3VTVT48694	SCREW TCB TC 5 X12 UNI 9707 TZ	4		
28	3MECE00396	BOARD OF SELF	1		
29	3MPVR02973	CARRYNG BAG	3		
30	3VTDD21115	NUT M 3 INOX	4		
31	3VTRS00268	WASHER D.3	4		
32	3MECE00391	RESISTANCE 1 OHM 50 W	1		
33	3VTVT00722	SCREW	2		
34	3MECE00369	RESISTANCE IRONCLAD 10 OHM 50 WATT	1		
35	3LAFN05614	BRACKET RESISTANCE	1		
36	3VTVT01109	SCREW TE M 6X 10 ZC. UNI 5739	2		
37	3METT00056	CONTACTOR T-106	1		
38	3VTRS00231	WASHER D. 6 UNI 6592 FLAT ZINC.	2		
39	3VTDD00157	NUT M. 6 DIN 985 ZN	2		

Electrical Installation



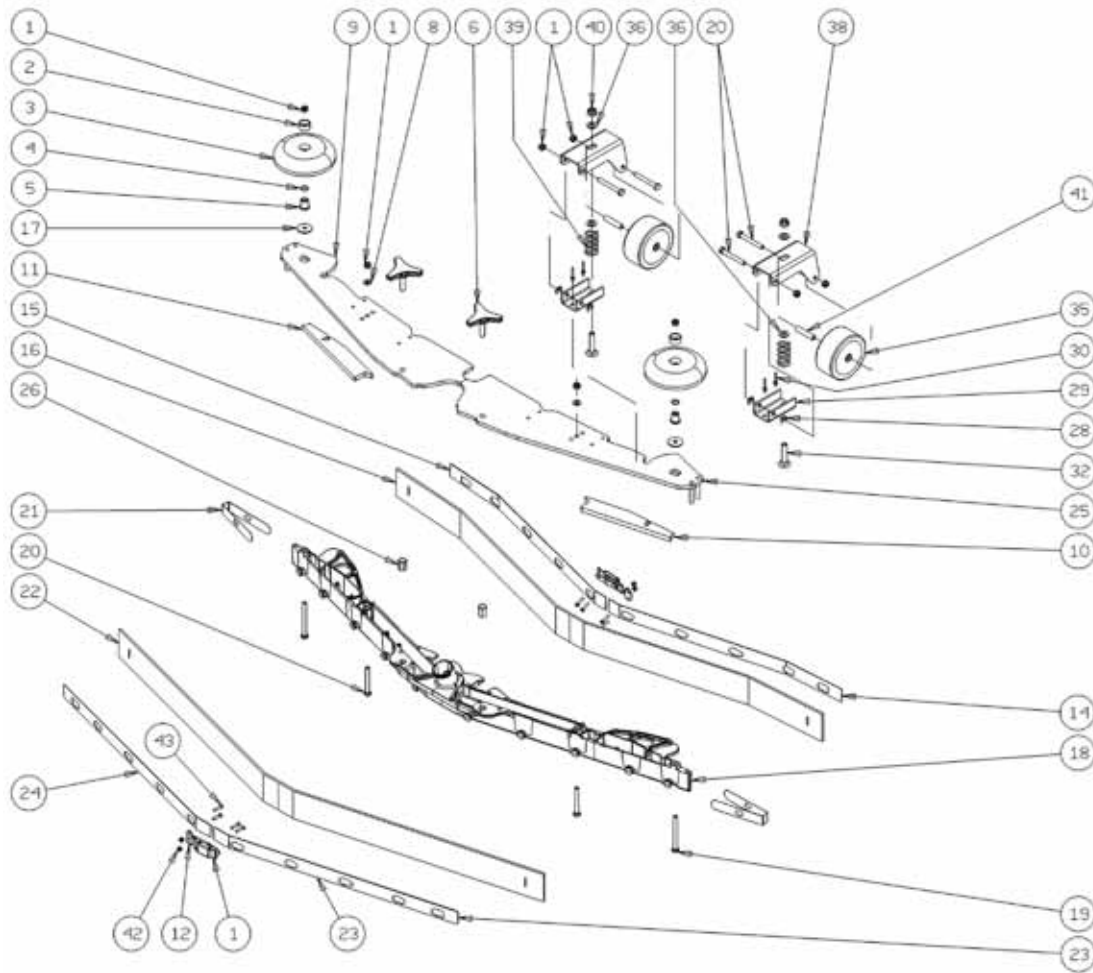
Ref.	Part N.	Description	Quantity	Validity From	Validity To
40	3MECI00277	CONNECTOR	1		
41	3VTVT62948	SCREW M 4X 50 TC-CR ZC U.7687	2		
42	3MECE00336	GEARCASE TRAZ. 24V	1		
43	3ETET00763	LABEL SYMBOL FUSE	1		
44	3MEVR01339	COVER BOX MOD.150	1		
45	3LAFN04047	SPACER X CARDS M3 15x8x8	2		
48	3VTVT00814	SCREW TE M.4-25	2		
49	3VTVT00872	SCREW TSP+ 2.9X13 AUTOFIL. INOX	1		
50	3VTVT00671	SCREW TC- M.2-16 BRASS	2		
51	3LAFN05653	SUPPORT MICRO	1		
52	3MECI00334	MICROSWITCH V4	1		
53	3VTDD08634	NUT M2	2		
56	3MECI00199	MICROSWITCH WIRED	1		
57	3MECI38439	MICRO-SWITCH MN-5141	1		
58	3MEVR01079	PLUG M CB50 A 600V RD.	1		
60	3MPVR02994	BELT BATTERY WITH BUCKLE	2		
61	3MPVR02995	BELT BATTERY WITHOUT BUCKLE	2		
62	3MPVR04042	PLATE BATTERY	4		
63	3MEVR01383	COVER PVC TRASP.	1		

Floor Wiper from 06/2012



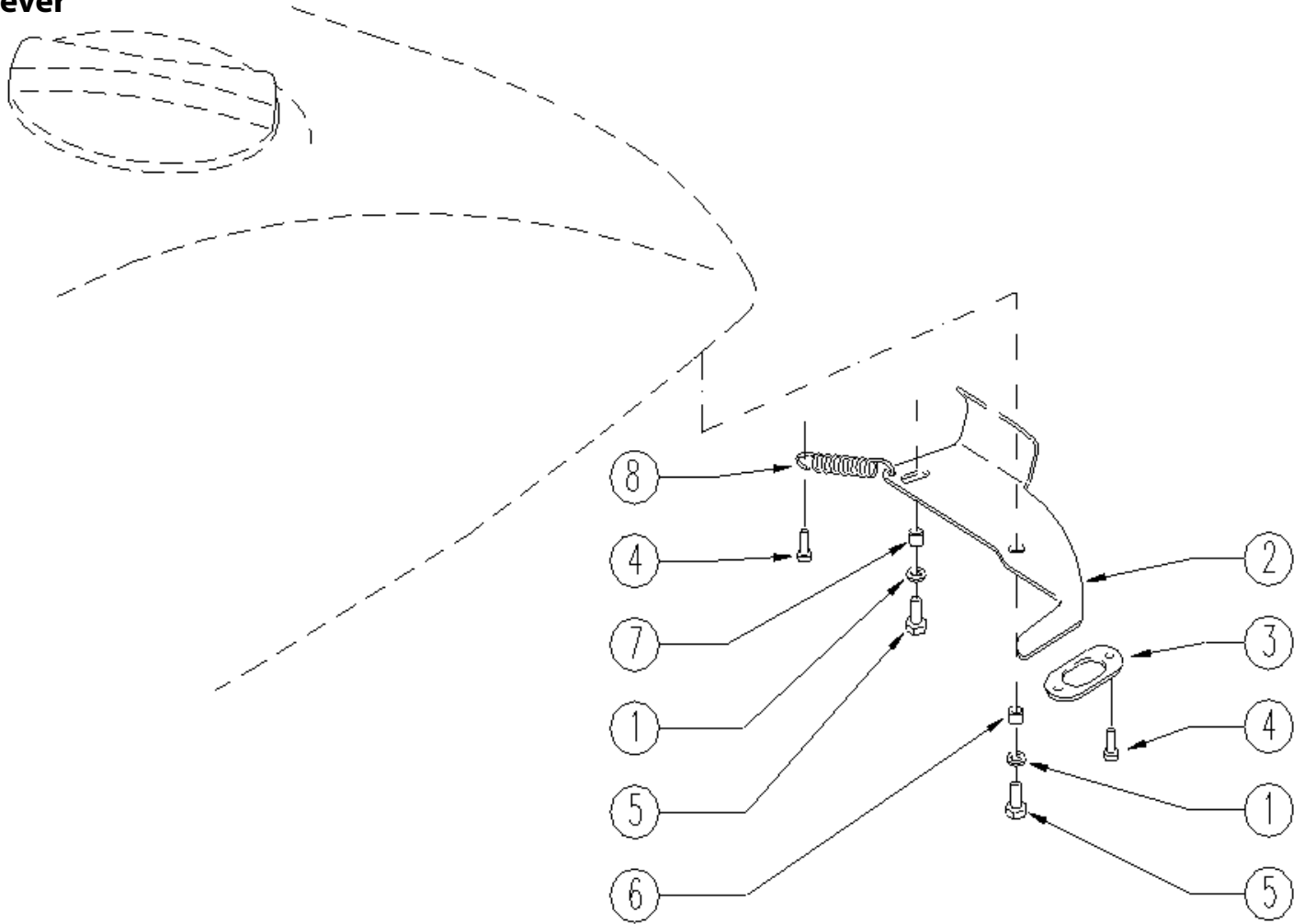
Ref.	Part N.	Description	Quantity	Validity From	Validity To
1	3LAFN09302	CLOSURE	2	09/2013	
2	3MPVR49229	BUSHING SHK	2		
3	3MPVR05290	ROLLER buffer	2		
4	3GUGO00164	GASKET	2		
5	3LAFN04100	SPACER WHEEL FOR BUMPER	2		
6	3MPVR06004	KNOB AISI 304	2		
8	3VTRS00245	WASHER D.6 UNI 6592 INOX	2		
9	3LAFN09014	PLATE	1		
10	3GUVR00303	GASKET	1		
11	3GUVR00302	GASKET	1		
12	3LAFN09301	SOCKET	2	09/2013	
14	3LAFN09284	SHEET METAL PA.	1	09/2013	
15	3LAFN09285	SHEET METAL PA.	1	09/2013	
16	3MPVR05804	RUBBER FRONT SQUEEGEE L PU	1		
17	3VTRS16937	WASHER 6x24 INOX UNI 6593	2		
18	3MFVR00217	BODY	1		
19	3VTVT00841	SCREW TE M 6X65 UNI 5739 INX	2		
20	3VTVT15515	SCREW TE M 6X 50 INOX A2	6		

Floor Wiper from 06/2012



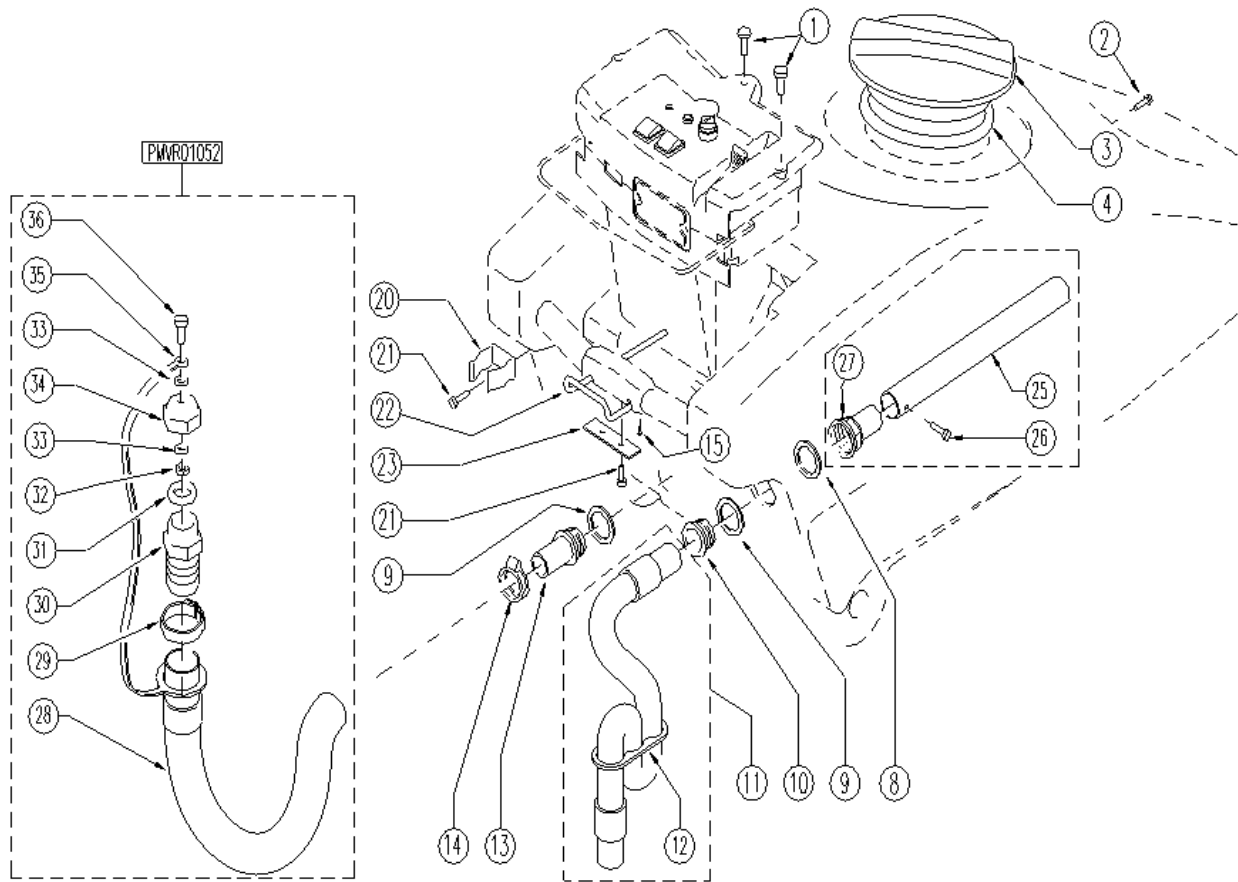
Ref.	Part N.	Description	Quantity	Validity From	Validity To
21	3MPVR05898	CLOSURE L	2		
22	3MPVR05806	RUBBER REAR SQUEEGEE L PU	1		
23	3LAFN09286	SHEET METAL PA.	1	09/2013	
24	3LAFN09287	SHEET METAL PA.	1	09/2013	
25	3LAFN09015	PLATE	1		
26	3VTVR00565	INSERT	2		
28	3VTAE45707	CIRCLIP D. 6 UNI 7434 INOX	4		
29	3LAFN51069	BRACKET SUPP.WHEEL SQUEEGEE	2		
30	3VTVR01040	RIVET	4		
32	3VTVT01304	SCREW M 8X 40 TTQST UNI 5731	2		
35	3RTRT00540	WHEEL D.8x32	2		
36	3VTRS13947	WASHER D. 8 INX UNI 6592	4		
38	3LAFN05559	SUPPORT WHEEL	2		
39	3MLML49422	SPRING D.15X 45 X1	2		
40	3VTDD01695	NUT M 8 INX	2		
41	3TBBP00124	TUBE D 8/6	0,03		
42	3VTDD00210	NUT M 3 INOX	8	09/2013	
43	3VTVT01070	SCREW M3X8	8	09/2013	

Lever



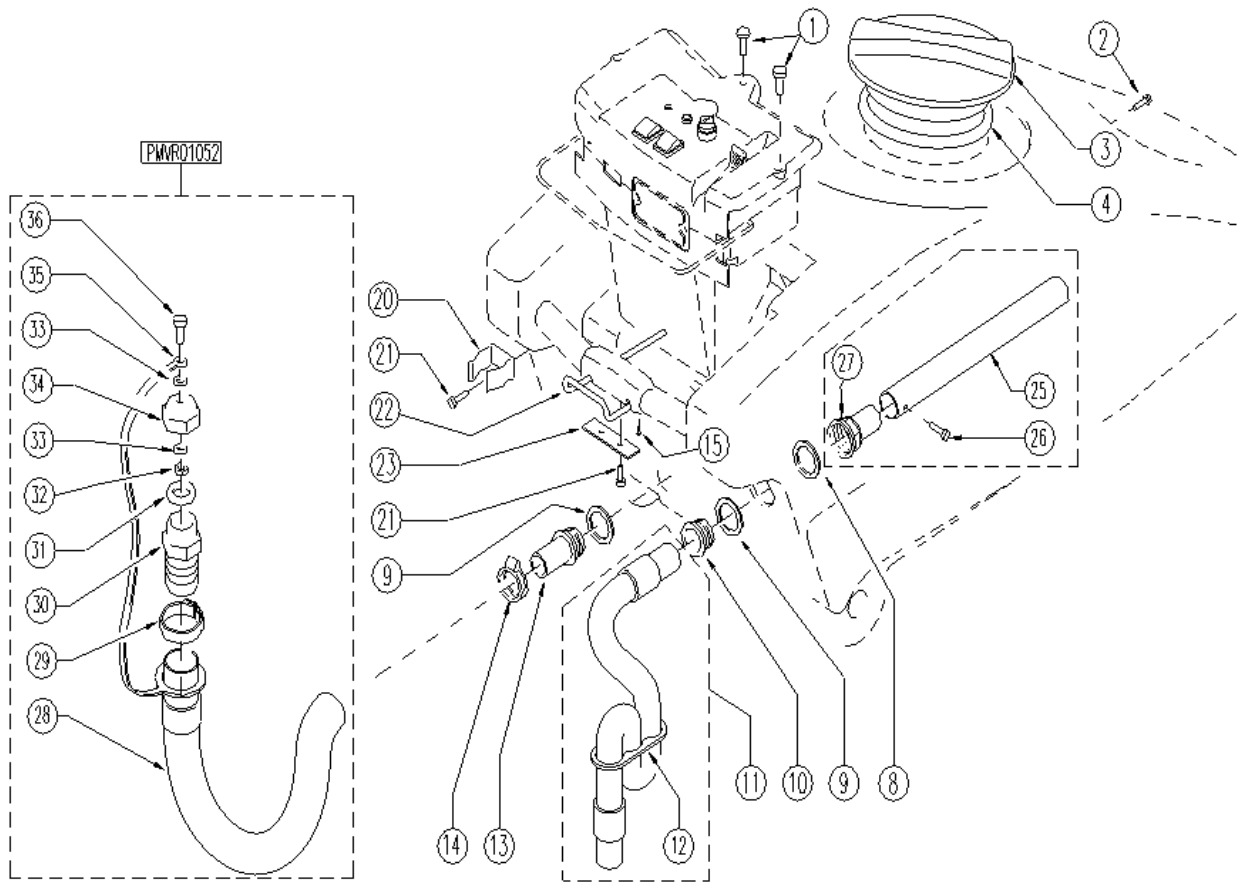
Ref.	Part N.	Description	Quantity	Validity From	Validity To
1	3VTRS13947	WASHER D. 8 INX UNI 6592	3		
2	3LAFN05756	HANDLE OPEN TANKS	1		
3	3LAFN05755	PLATE CENTERING HOOKING	1		
4	3VTVT48694	SCREW TCB TC 5 X12 UNI 9707 TZ	3		
5	3VTVT00779	SCREW TBEI M.8-16	2		
6	3RCDS35584	BUSHING D. 8X12X 4.3	2		
7	3LAFN03940	BUSHING 8/12-5,25	2		
8	3MLML00196	SPRING FOR JOINT HS NADIR	1		

Tank



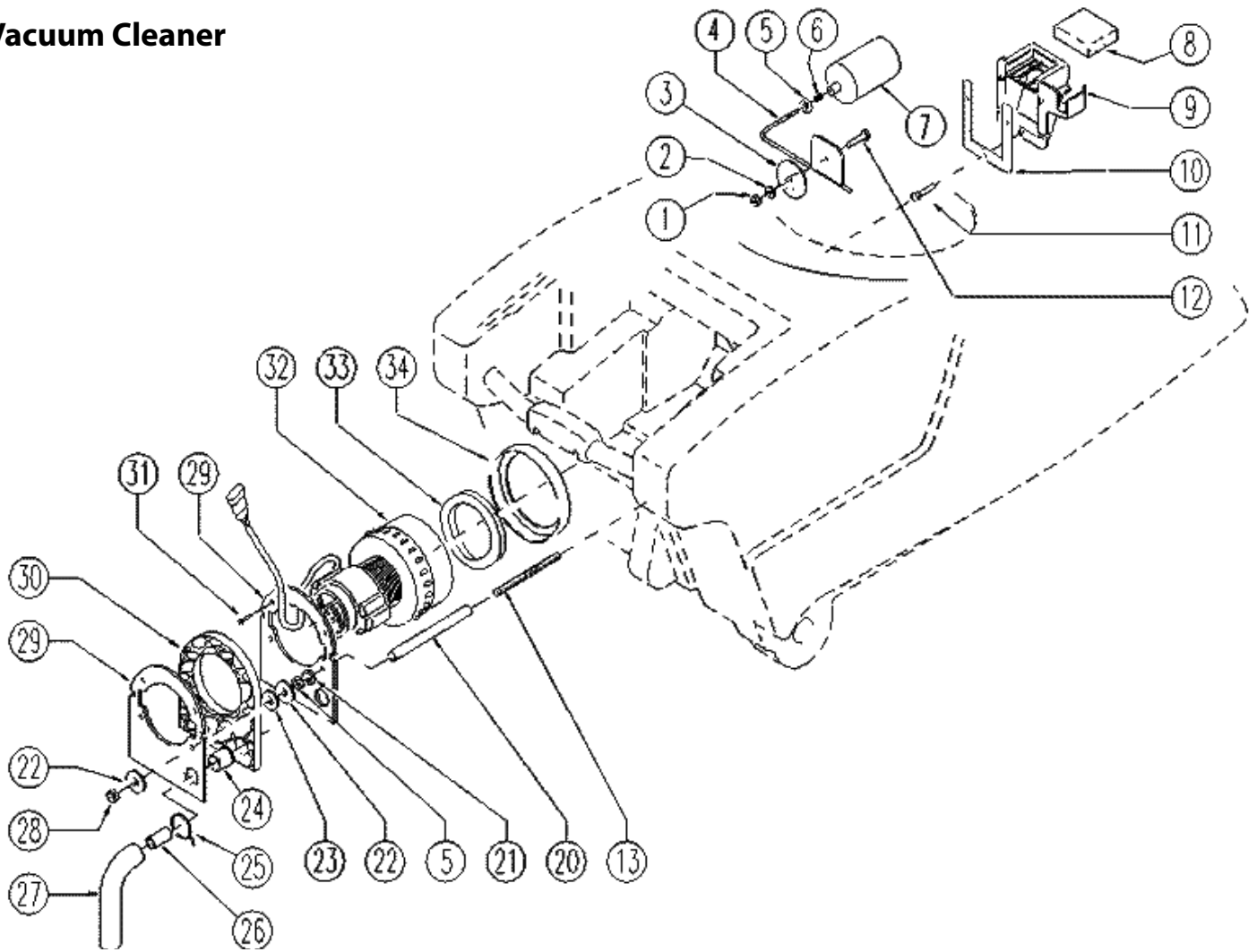
Ref.	Part N.	Description	Quantity	Validity From	Validity To
1	3VTVT00858	SCREW 6X20	3		
2	3VTVT00806	SCREW TBEI M. 6-10	2		
3	3MPVR04051	TANK CAP	1		
4	3GUGO00263	GASKET CIRCULAR PLUG	1		
8	3GUVR49928	GASKET RHN G4004	1		
9	3GUGO00216	GASKET DIRTY WATER	2		
10	3RCVR00508	PIPE UNION DRAIN	1		
11	3PMVR01043	TUBE INTAKE	1		
12	3MPVR02730	PLATE TRAP	1		
13	3RCVR49929	CONNECTOR DTT 1"1/2 D.50	1		
14	3FSVR00105	CLAMP DOUBLE WIRE	1		
15	3VTVT00813	SCREW M 4X 8 TCB-TC UNI 8112	1		
20	3FSVR44166	HOSE CLIP D.50	1		
21	3VTVT48694	SCREW TCB TC 5 X12 UNI 9707 TZ	4		
22	3PMVR01058	BUTTON ASSEMBLY LEVER CRUSHING	1		
23	3LAFN05607	PLATE	1		
25	3MPVR02889	TUBE INTERNAL TANK	1		
26	3VTVT85145	SCREW TCB T-CROSS 4,2X9,5 INOX	1		

Tank



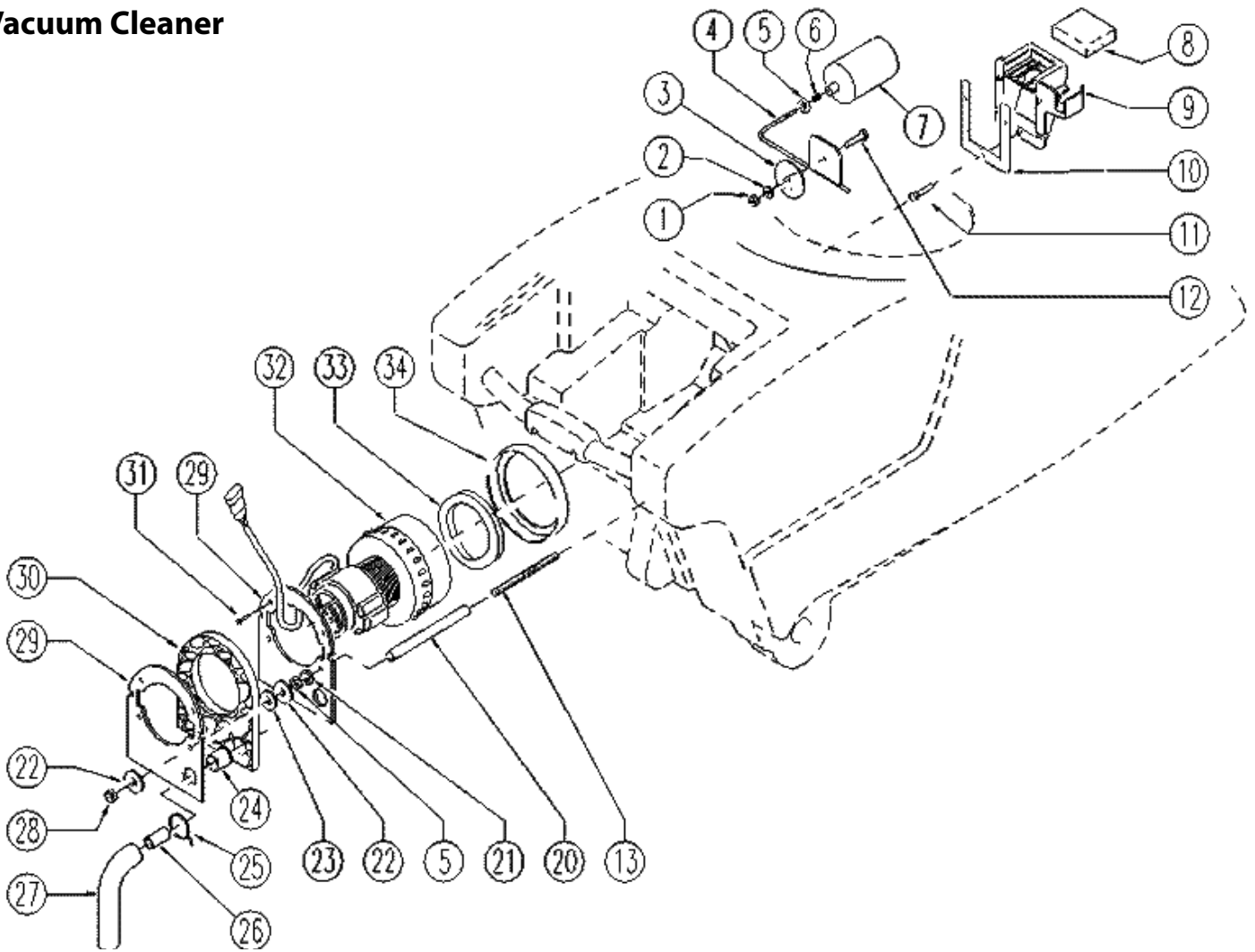
Ref.	Part N.	Description	Quantity	Validity From	Validity To
27	3RCVR00504	CONNECTOR STRAIGHT FEM.	1		
28	3TBFX00314	TUBE DIAM.50 DISCHARGE	1		
29	3FSVR00120	CLAMP HCL-X	1		
30	3RCVR46992	CONNECTOR DTT 2"	1		
31	3GUGO00226	GASKET 1"1/4	1		
32	3VTDD01695	NUT M 8 INX	1		
33	3VTRS13947	WASHER D. 8 INX UNI 6592	2		
34	3RCVR00524	CAP FEMALE 2" DRILLEDD 8	1		
35	3MPVR02805	CLAMP STOPPER	1		
36	3VTVT00842	SCREW	1		

Vacuum Cleaner



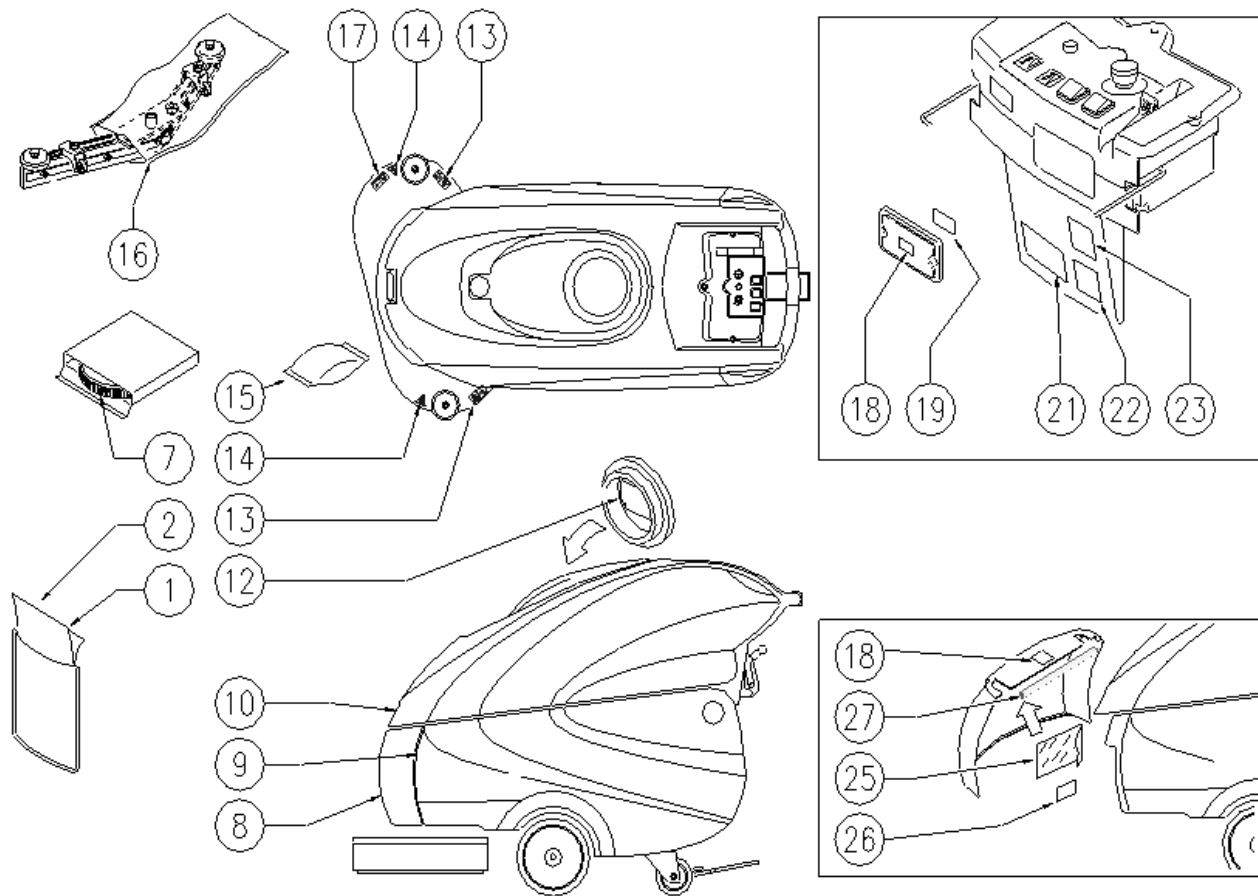
Ref.	Part N.	Description	Quantity	Validity From	Validity To
1	3VTDD01693	NUT M 5 INX	1		
2	3VTRS13750	WASHER D. 5X14 INX	1		
3	3MPVR02702	CAP INTAKE	1		
4	3LAFN05118	ROD FLOAT	1		
5	3VTDD15520	NUT M 6 A2 UNI 5588 INX	3		
6	3VTVR00212	INSERT	1		
7	3RCGR00064	FLOATER	1		
8	3FTAC47474	FILTER SHK	1		
9	3MPVR03846	SUPPORT FLOAT	1		
10	3GUGO00221	GASKET FLOATING SUPPORT	1		
11	3VTVT00677	SCREW	3		
12	3VTVT00805	SCREW TBEI M. 5-10	1		
13	3VTVT00785	ROD THREAD	2		
20	3LAFN51077	SPACER PH	2		
21	3VTRS13945	WASHER D. 6X18 INX UNI 6593	2		
22	3VTRS16937	WASHER 6x24 INOX UNI 6593	4		
23	3MPVR35582	RUBBER LAV.	2		
24	3MPVR31077	BUSHING L.450	1		

Vacuum Cleaner



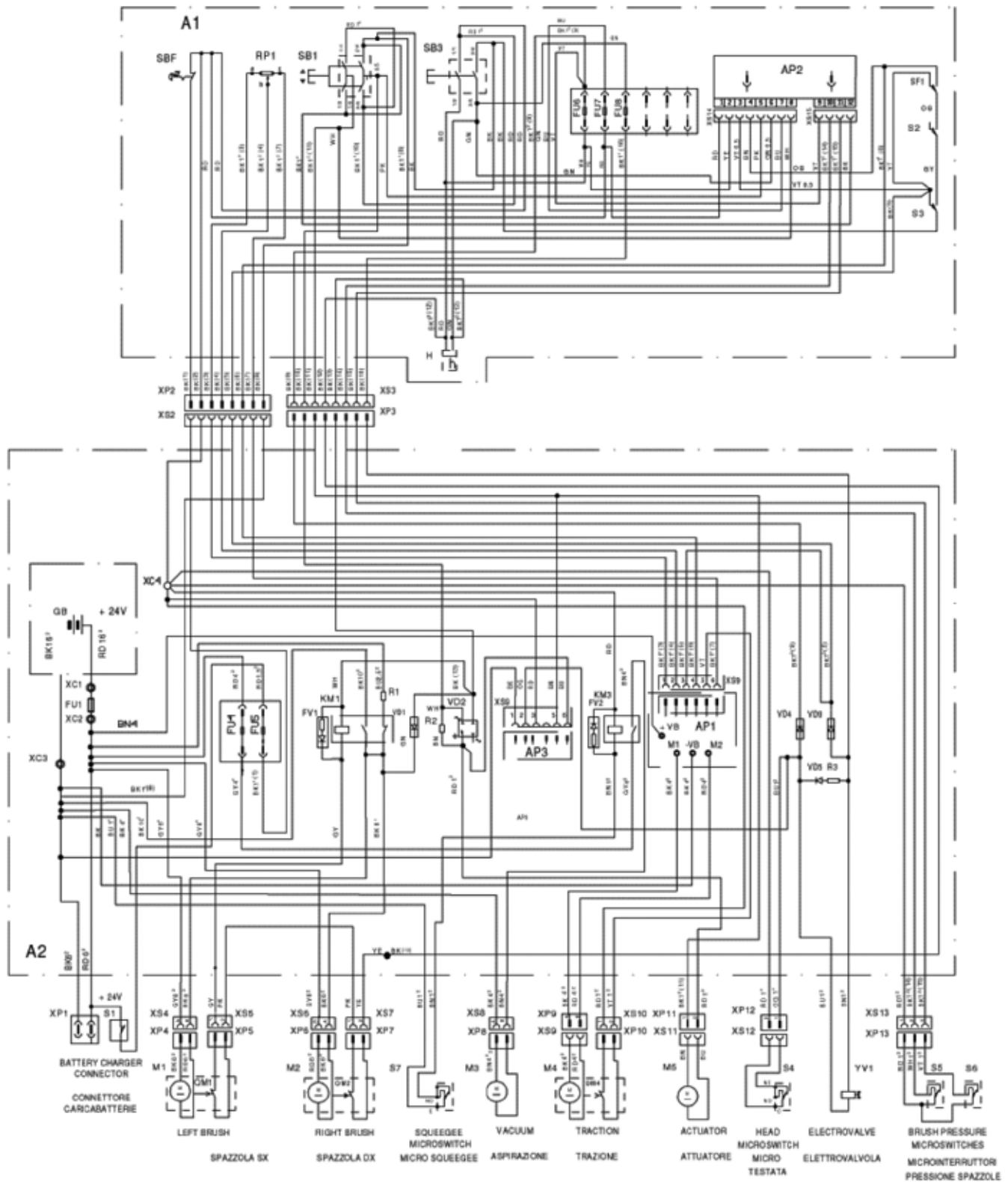
Ref.	Part N.	Description	Quantity	Validity From	Validity To
25	3FSVR00086	CLAMP	1		
26	3TBFX00217	TUBE	1		
27	3ITSO00036	SOUND-PROOFING DRAIN ASP.SHARK/PANTHER	1		
28	3VTDD00124	NUT M 8 BASS	2		
29	3LAFN51076	FLANGE SOUND-PROOFING VACUUM	2		
30	3ITSO00035	SOUND-PROOFING SHARK/PANTHER	1		
31	3VTVT00892	SCREW	4		
32	3MEVR05200	CARBON ENGINE ASP.AMET.116599-13	2		
32	3MOCC00273	MOTOR 3 ST.24V 116598-13	1		
33	3GUVR48858	GASKET SRB.SHK	1		
34	3GUGO30649	GASKET LAV.DW.	1		

Crankcase



Ref.	Part N.	Description	Quantity	Validity From	Validity To
1	3PLDC01420	OP-TOR'S MANUAL	1		
2	3PLDC01418	SPARE PARTS NEUTRAL PANTHER 2	1		
7	3SPPV01228	DRIVE DISK 14"	2		
8	3MPVR05072	SIDE PANEL PANTHER 2	1		
9	3MPVR04079	TANK SOLUZ. HARMONY	1		
10	3MPVR04083	TANK RECOVERY	1		
12	3ETET00554	ADHESIVE WARNINGS	1		
13	3ETET00906	ADHESIVE SYMBOL OF DANGER ABRAS	2		
14	3ETET00897	ADHESIVE SYMBOL DANGER	2		
15	3MIVR00018	CARRYNG BAG	1		
16	3MIVR00048	TUBE UNIBOL	1		
17	3ETET00898	ADHESIVE SYMBOL CRUSHING	1		
18	3ETET00763	LABEL SYMBOL FUSE	2		
19	3ETET01328	LABEL WARNING FUSE	1		
21	3ETET00730	LABEL BATTERIE DISCONNECT	1		
22	3ETET00463	ADHESIVE DRAIN WATER	1		
23	3ETET00550	ADHESIVE SLOPE	1		
25	3MPVR04179	ENVELOPE PORT MANUAL ADHESIVE	1		
26	3ETET01329	LABEL FUSES	1		
27	3GUGO00110	GASKET TANK COVER	0,37		

Electric Diagram 1



PLDC01436_0

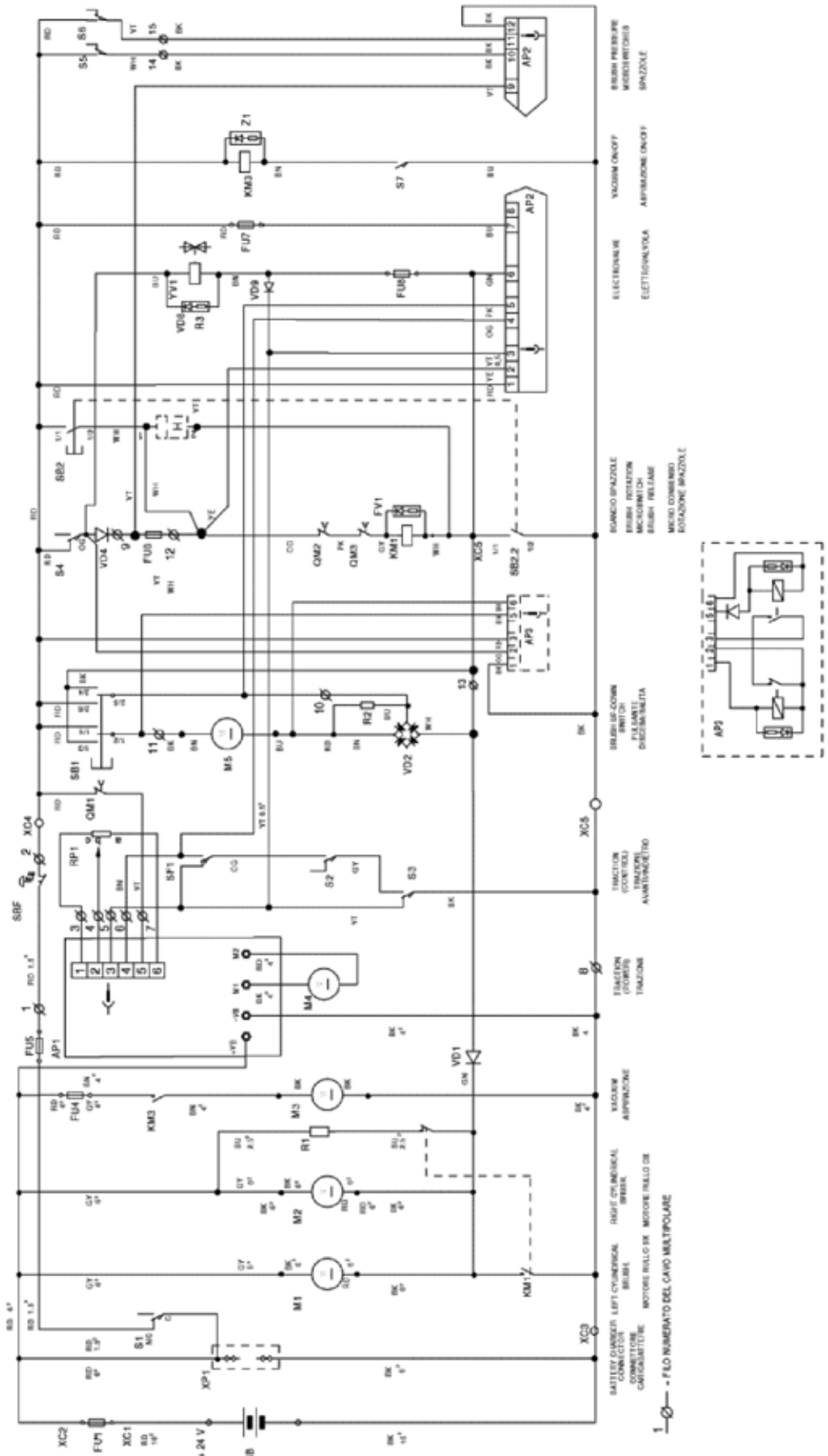
WIRING DIAGRAM

Ref.	Part N.	Description	Quantity	Validity From	Validity To
AP1	3MECE00336	GEARCASE TRAZ. 24V	1		
AP2	3MECE00345	BOARD LED INGR.POWER.+RESET	1		
AP3	3MECE00396	BOARD OF SELF	1		

Electric Diagram 2

PLDC01436_0

SCHEMATIC DIAGRAM



Ref.	Part N.	Description	Quantity	Validity From	Validity To
AP1	3MECE00336	GEARCASE TRAZ. 24V	1		
AP2	3MECE00345	BOARD LED INGR.POWER.+RESET	1		
AP3	3MECE00396	BOARD OF SELF	1		

Electric Diagram 3

REF.	CODE	DESCRIPTION
A1		CONTROL PANEL
A2		BODY WIRING DIAGRAM
AP1	MECE00336	DRIVE CARD
AP2	MECE00345	CARD
AP3	MECE00396	CARD
FU1	MEVR01346	GENERAL FUSE
FU4	MEVR01380	FUSE
FU5	MEVR01316	FUSE
FU6	MEVR01132	FUSE
FU7	MEVR01132	FUSE
FU8	MEVR01132	FUSE
FV1	MECI00313	DIODE
FV2	MECI00313	DIODE
GB		BATTERY
H		HOUR COUNTER (OPTIONAL)
KM1	METT00056	REMOTE CONTROL SWITCH
KM3	METT30650	REMOTE CONTROL SWITCH
M1	MOCC00236	LEFT BRUSH MOTOR
M2	MOCC00236	RIGHT BRUSH MOTOR
M3	MOCC00243	VACUUM MOTOR
M4	MOCC00235	DRIVE MOTOR
M5	MOCC00226	ACTUATOR MOTOR
QM1		THERMAL PROTECTION
QM2		THERMAL PROTECTION
QM4		THERMAL PROTECTION
R1	MECE00391	RESISTANCE
R2	MECE00369	RESISTANCE
R3	MECE00358	RESISTANCE
RP1	MEVR01432	POTENTIOMETER
S1	MECI00334	MICROSWITCH
S2	MECI36393	MICROSWITCH
S3	MECI36393	MICROSWITCH
S4	MECI36439	MICROSWITCH
S5	MECI00303	MICROSWITCH
S6	MECI00303	MICROSWITCH
S7	MECI36439	MICROSWITCH
SF1	MECI36393	MICROSWITCH
SB1	MECI46638	PUSH-BUTTON
SB2	MECI00309	PUSH-BUTTON
SBF		EMERGENCY BUTTON
VD1	MECI00281	DIODE
VD2	MECE35767	BRIDGE / JUMPER
VD3-4-5-6	MECI00281	DIODE
VD7-8	MECI00294	DIODE
XC1-2-3	MEVR01116	INSULATOR
XC4	MEVR01222	CLAMP
XP1	MEVR01079	CONNECTOR
XP10	MEVR01294	CONNECTOR
XP11-12	MEVR01283	CONNECTOR
XP13	MEVR01285	CONNECTOR
XP2	MEVR01145	CONNECTOR
XP3	MEVR01145	CONNECTOR
XP4	MEVR01294	CONNECTOR
XP5	MEVR01283	CONNECTOR
XP6	MEVR01294	CONNECTOR
XP7	MEVR01283	CONNECTOR
XP8	MEVR01294	CONNECTOR
XS10	MEVR01296	CONNECTOR
XS11-12	MEVR01284	CONNECTOR
XS13	MEVR01285	CONNECTOR
XS14	MECI00278	CONNECTOR
XS15	MECI00276	CONNECTOR
XS2-3	MEVR01146	CONNECTOR
XS4	MEVR01296	CONNECTOR
XS5	MEVR01284	CONNECTOR
XS6	MEVR01296	CONNECTOR
XS7	MEVR01284	CONNECTOR
XS8	MEVR01296	CONNECTOR
YV1	MEEV00015	ELECTROVALVE

Ref.	Part N.	Description	Quantity	Validity From	Validity To
AP1	3MECE00336	GEARCASE TRAZ. 24V	1		
AP2	3MECE00345	BOARD LED INGR.POWER.+RESET	1		
AP3	3MECE00396	BOARD OF SELF	1		



