

# Parts Manual Manuel de pièces



## Hurricane 850 XTT

---

Automatic Scrubber

Code: 19324

Serial #: \_\_\_\_\_

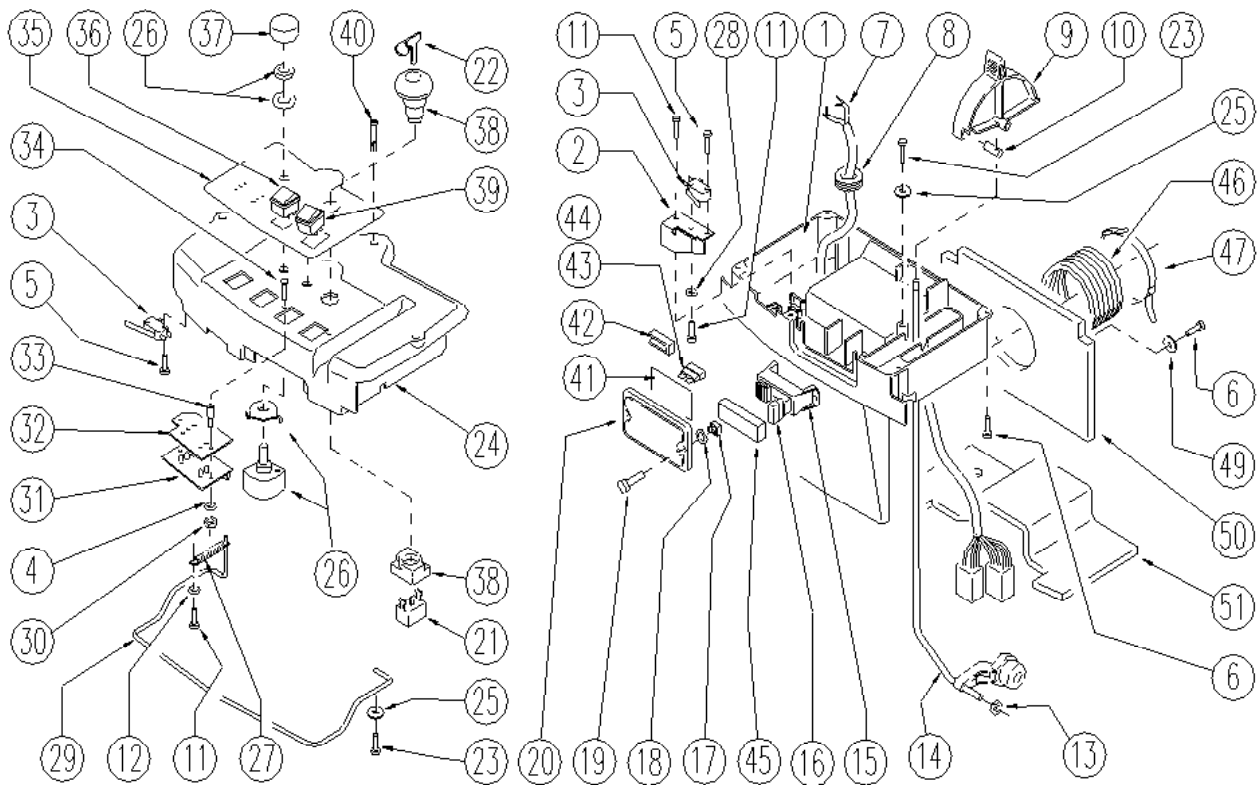
Date of Purchase: \_\_\_\_\_

More info : [www.dustbane.ca](http://www.dustbane.ca)

07-2010

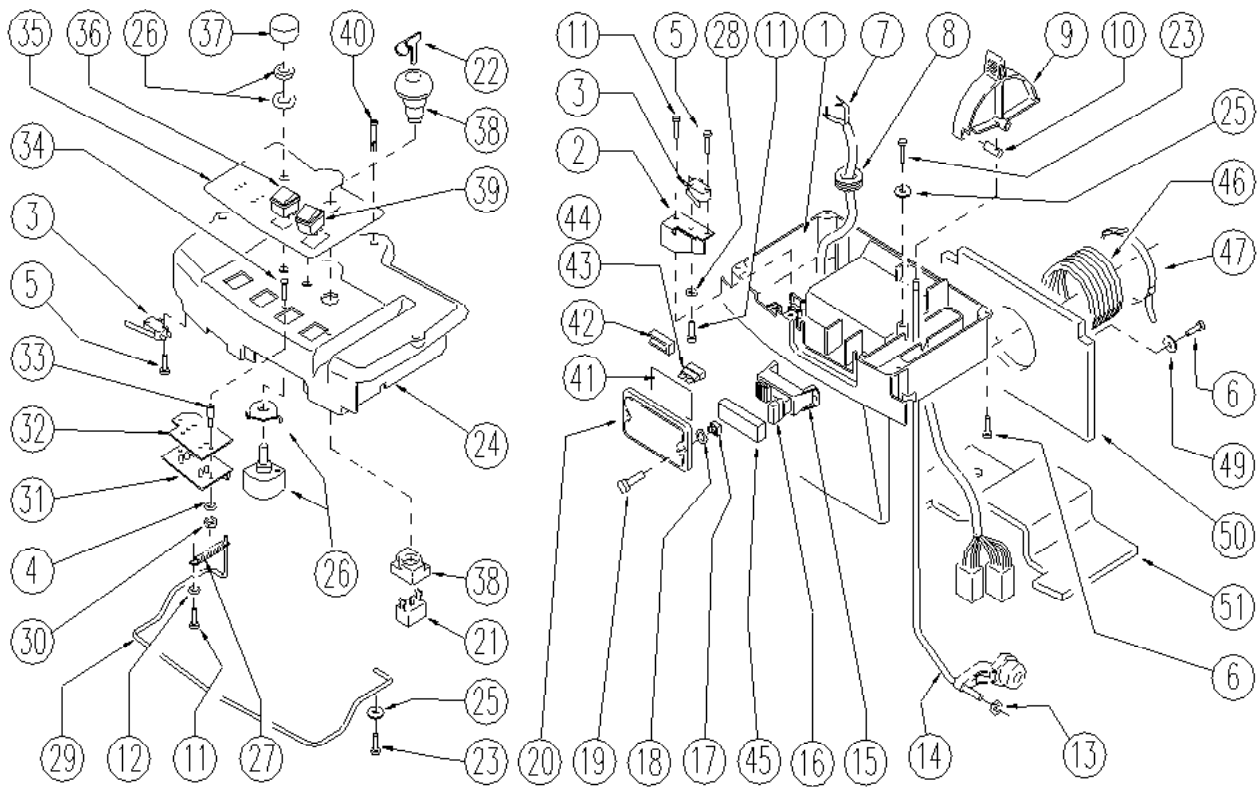


## Electric. Instal.



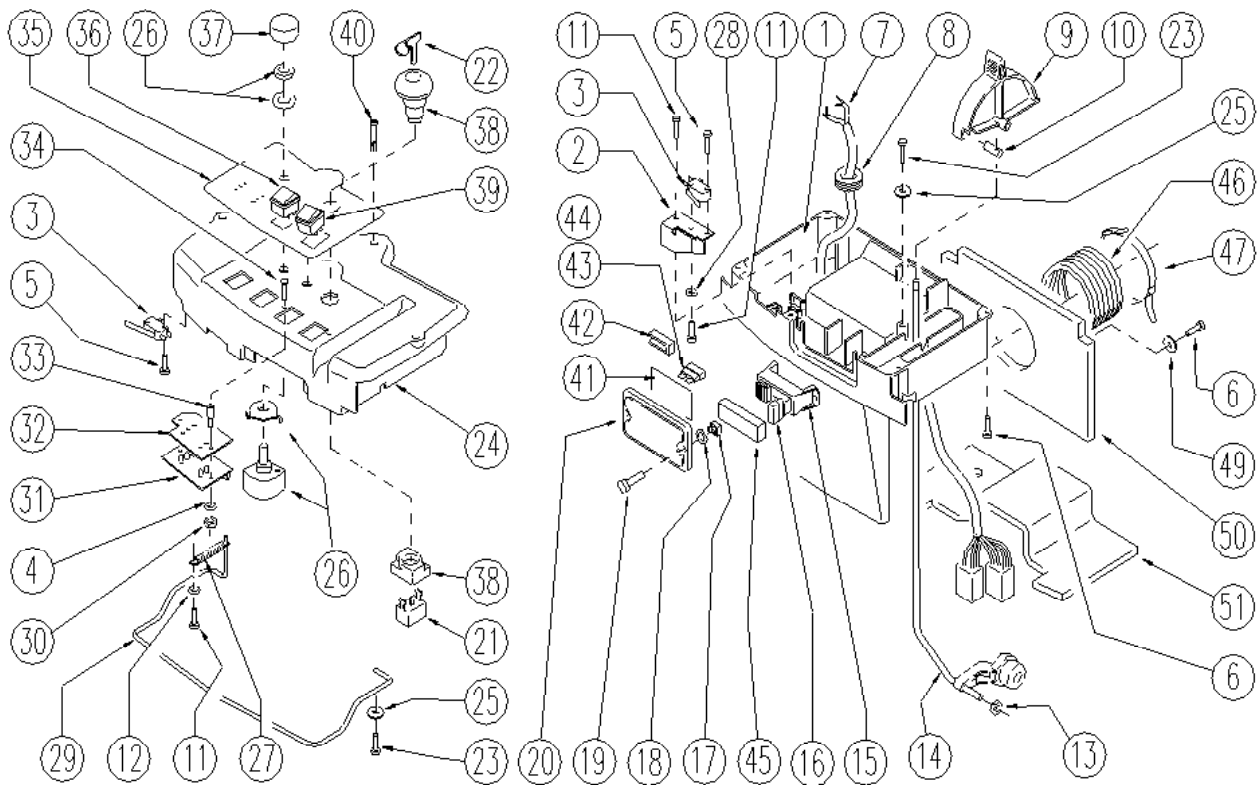
Ref.	Part N.	Description	Quantity	Validity From	Validity To
1	3MPVR03843	PANEL	1		
2	3LAFN05615	SPRING	1	03/2004	
3	3MECI00310	MICROSWITCH	3	03/2004	
4	3VTRS00268	WASHER D.3	2	03/2004	
5	3VTVT00744	SCREW	6	03/2004	
6	3VTVT28553	SCREW TCB-TC 3.5X16	6	03/2004	
7	3MECB00773	CABLE	1		
8	3MEVR01331	FAIR-LEAD PVC	1	03/2004	
9	3MPVR03845	LEVER	1	03/2004	
10	3LAFN05103	ARTICULATION	1	03/2004	
11	3VTVT00820	SCREW TC+ M.3,5-10	5	03/2004	
12	3VTRS15958	WASHER D. 5 X15 UNI 6593	1	03/2004	
13	3VTDD00157	NUT M. 6 DIN 985 ZN	1		
14	3LAFN05645	ROD	1		
15	3MEVR01387	BODY	1	03/2004	
16	3MEVR01132	FUSE 5 A.	4	03/2004	
17	3VTDD00167	NUT M.6	2	03/2004	

## Electric. Instal.



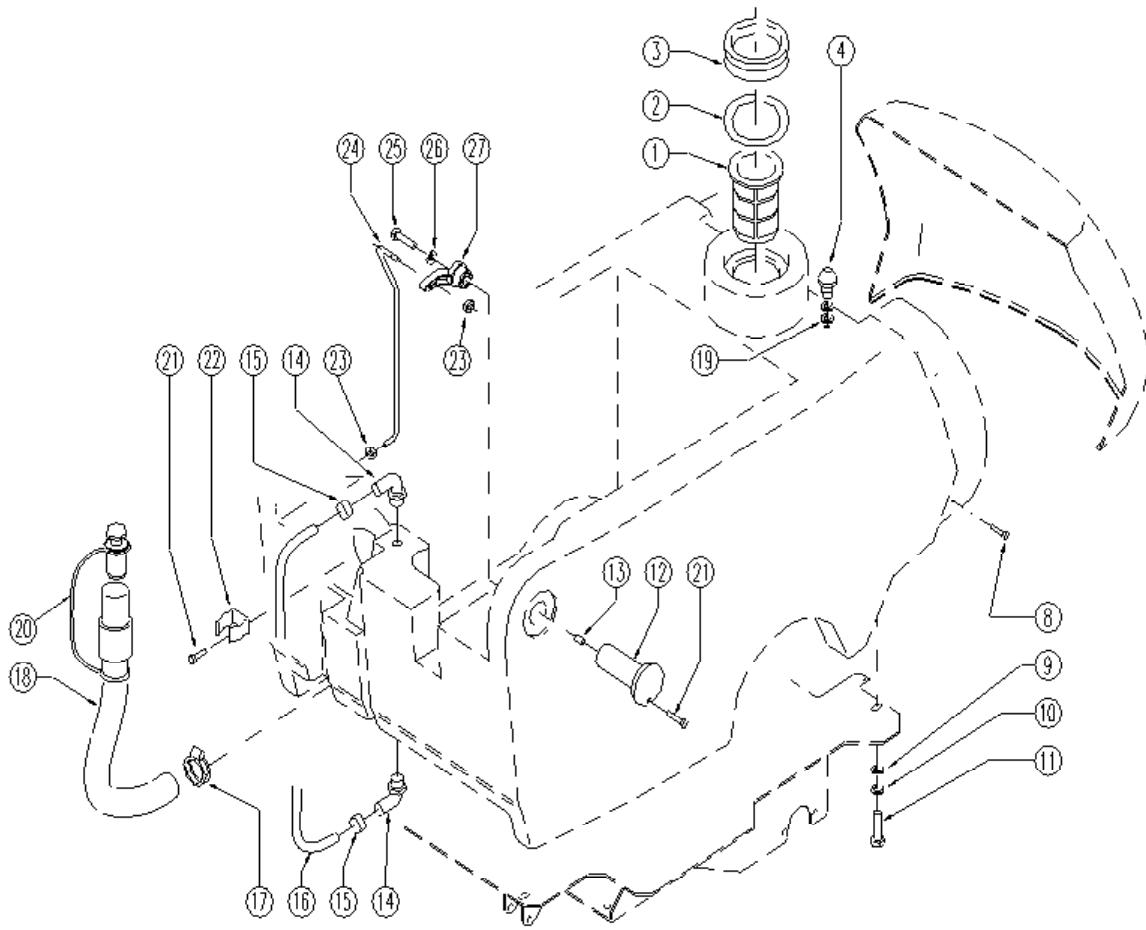
18	3GUGO00150	NUT	4	03/2004
19	3VTVT00858	SCREW	2	03/2004
20	3MPVR35628	COVER LAV.	1	03/2004
21	3MECI00403	CONTACT	1	
22	3CHVR00051	KEY	1	
23	3VTVT07859	SCREW TCB-TC 3.5X13 UNI6954	2	
24	3MPVR03841	PANEL	1	
25	3VTRS13750	WASHER D. 5X14 INX	2	
26	3MEVR01432	POTENTIOMETER A FILO	1	03/2004
27	3MLML00196	SPRING	1	03/2004
28	3VTRS00501	WASHER D. 4 0.232 UNI 6592	1	03/2004
29	3LAFN05584	LEVER	1	03/2004
30	3VTDD21115	NUT M 3 INOX	2	03/2004
31	3MECE00346	BOARD LED	1	
32	3MPVR02781	PLATE LED	1	03/2004
33	3LAFN04047	SPACER M3 15x8x8	2	03/2004

## Electric. Instal.



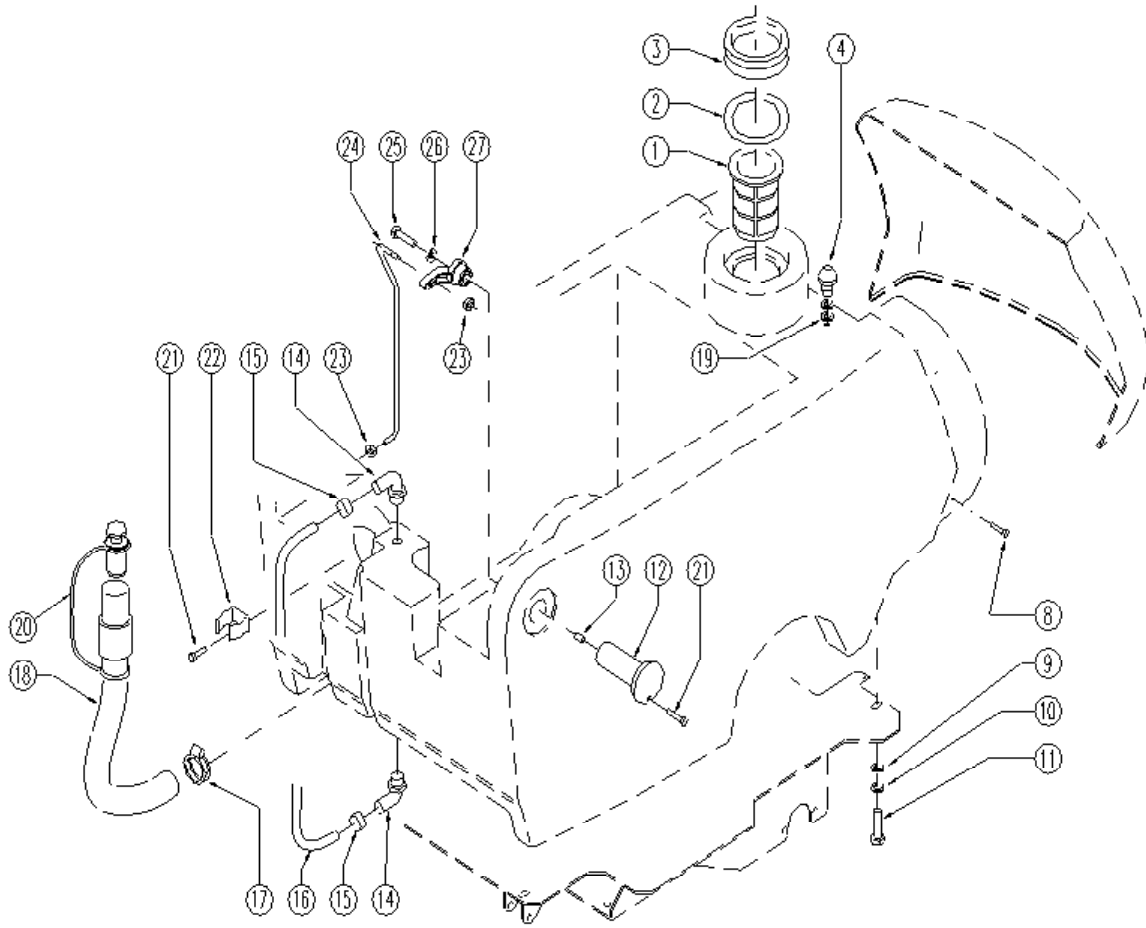
34	3VTVT00865	SCREW TSP-TC M 3X 6 UNI7688 INX	2	03/2004
35	3ETET01263	LABEL	1	03/2004
36	3MECI46638	COMMUTATOR	1	03/2004
37	3MPVR36404	KNOB	1	03/2004
38	3MECI00323	BUTTON	1	
39	3MECI00309	SWITCH	1	03/2004
40	3MPVR02940	KLIP D. 6,5 L=15	1	03/2004
41	3ETET01328	LABEL	1	03/2004
42	3MEVR01153	FUSE	1	03/2004
43	3MEVR01316	FUSE 10 A. 32V	1	03/2004
44	3MEVR01380	FUSE	1	03/2004
45	3MEVR01383	COVER PVC TRASP.	1	03/2004
46	3TBBP00225	HOSE D 80-320 MM	1	
47	3FSVR00083	CLAMP 62-82	1	
49	3VTRS00291	WASHER D. 5 X20 ZC UNI 6593	2	03/2004
50	3ITSO00031	SOUND-PROOFING	1	03/2004
51	3ITSO00032	SOUND-PROOFING	1	03/2004

# Water Tank



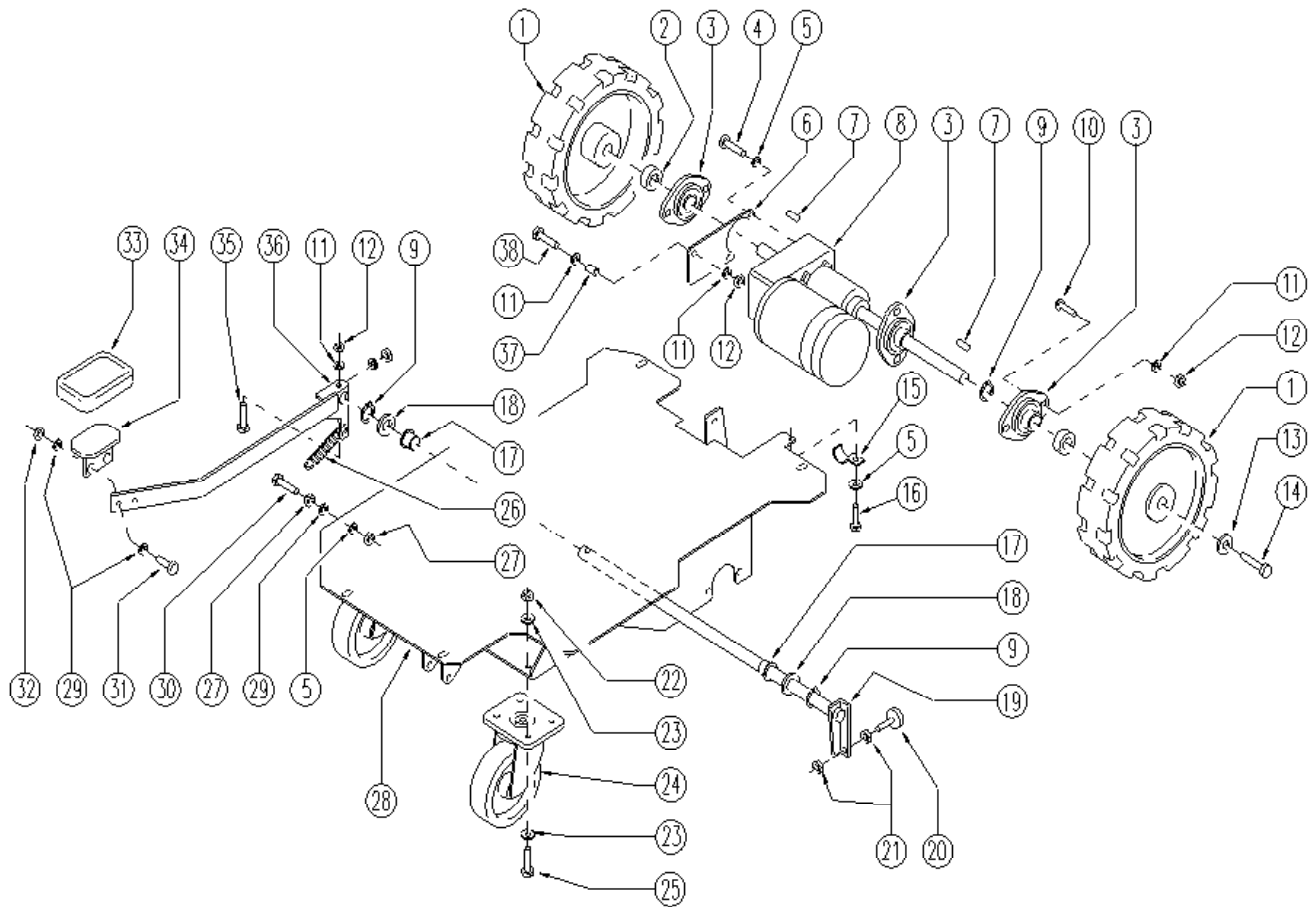
Ref.	Part N.	Description	Quantity	Validity From	Validity To
1	3FTAC48857	FILTER	1	12/2002	
2	3GUVR48858	GASKET	1	12/2002	
3	3GUVR48859	GASKET	1	12/2002	
4	3LAFN04044	PIN	1	12/2002	
8	3VTVT00874	SCREW M. 5-10	4	12/2002	
9	3VTRS15524	WASHER D.10	4	12/2002	
10	3VTRS15909	WASHER D.10	4	12/2002	
11	3VTVT00455	SCREW TE 10X20 UNI5739	4	12/2002	
12	3MPVR48695	PIN	2	12/2002	
13	3VTVR48693	INSERT M6 D.9	1	12/2002	
14	3RCVR45752	HOSE FITTING "L" 3/8M - D.10 PLS.	2	12/2002	
15	3FSVR00096	CLAMP 10-16 INOX	2	12/2002	

# Water Tank



16	3TBBP00202	TUBE D 10 L=420 MM	1	12/2002
17	3FSVR43136	CLAMP D. 35-40 DF.	1	12/2002
18	3TBFX00208	TUBE	1	12/2002
19	3VTRS15523	WASHER D.10 X21 INOX UNI 6592	2	
20	3MPVR05064	CAP	1	
21	3VTVT48694	SCREW TCB TC 5 X12 UNI 9707 TZ	4	12/2002
22	3MPVR46988	CLIP	1	12/2002
23	3VTDD15518	NUT M 6 INX	2	12/2002
24	3LAFN05609	ROD	1	12/2002
25	3VTVT15906	SCREW TE 6X 12 A2 UNI 5739	1	12/2002
26	3VTRS00239	WASHER D.6-18	1	12/2002
27	3MPVR49471	LEVER	1	12/2002

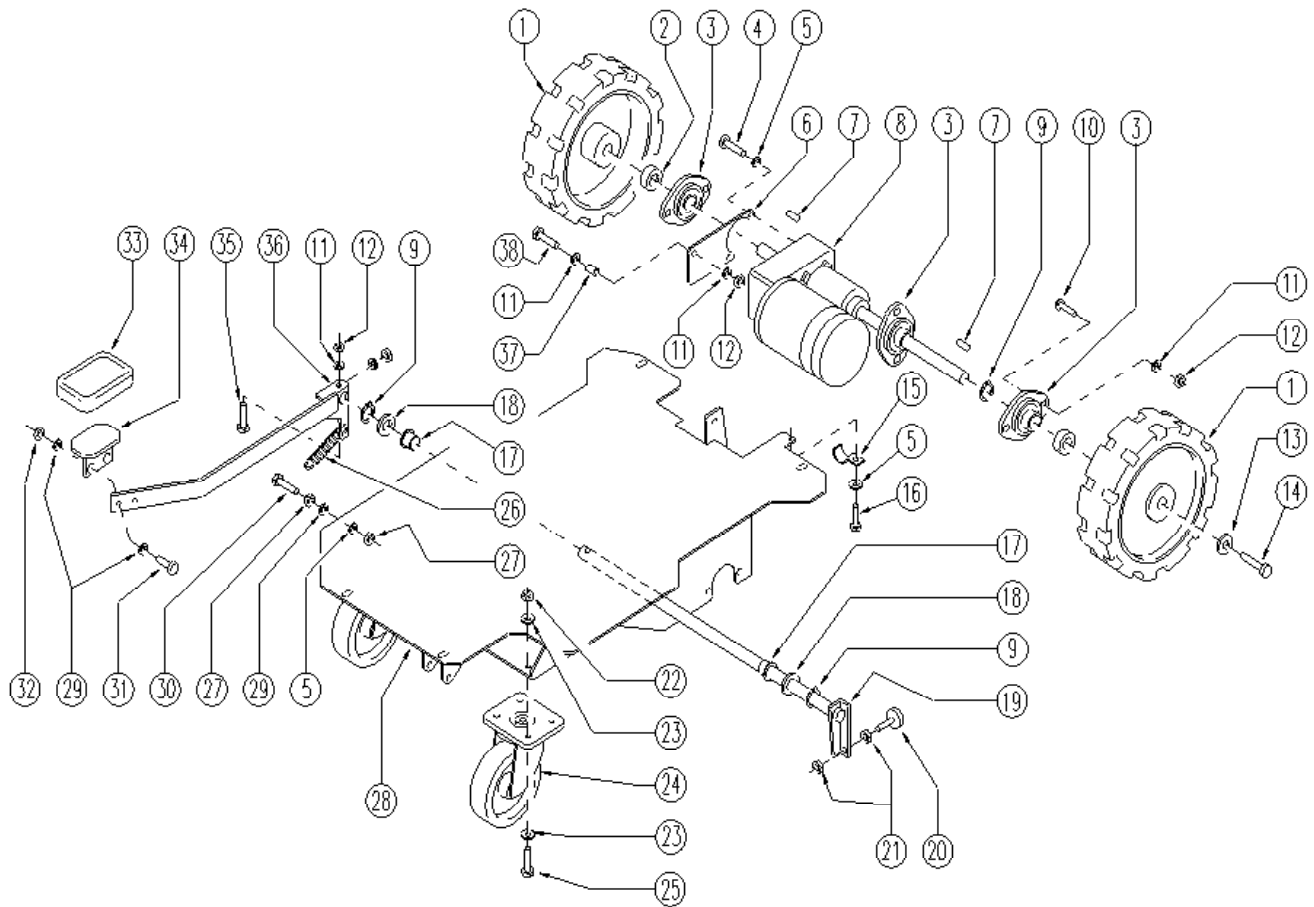
## Frame



Ref.	Part N.	Description	Quantity	Validity From	Validity To
1	3RTRT00294	WHEEL D.250X60	2	12/2002	
2	3LAFN05311	SPACER	2	12/2002	
3	3CUVR00105	SUPPORT	3	12/2002	
4	3VTVT15143	SCREW TE 6X16 UNI5739	2	12/2002	
5	3VTRS15144	WASHER D. 6 INX GRW UNI 1751	4	12/2002	
6	3LAFN05617	PLATE	1	12/2002	
7	3VTVR33668	KEY 6x 6x40 UNI 6604A	2	12/2002	
8	3MOCC00235	MOTOR.GEARBOX	1	12/2002	
9	3VTAE00050	RING	3	12/2002	
10	3VTVT00842	SCREW	6	12/2002	
11	3VTRS13947	WASHER D. 8 INX UNI 6592	9	12/2002	
12	3VTDD01695	NUT M 8 INX	7		
13	3VTRS00278	WASHER D.8X32 ZINC.BIANCA 6593	2		
14	3VTVT00779	SCREW M.8-16	2	12/2002	
15	3FSVR00104	CLAMP	1	12/2002	
16	3VTVT15906	SCREW TE 6X 12 A2 UNI 5739	1	12/2002	
17	3CUVR44348	BUSHING CB 85 2010 31T	2	12/2002	
18	3VTRS00287	WASHER	2	12/2002	

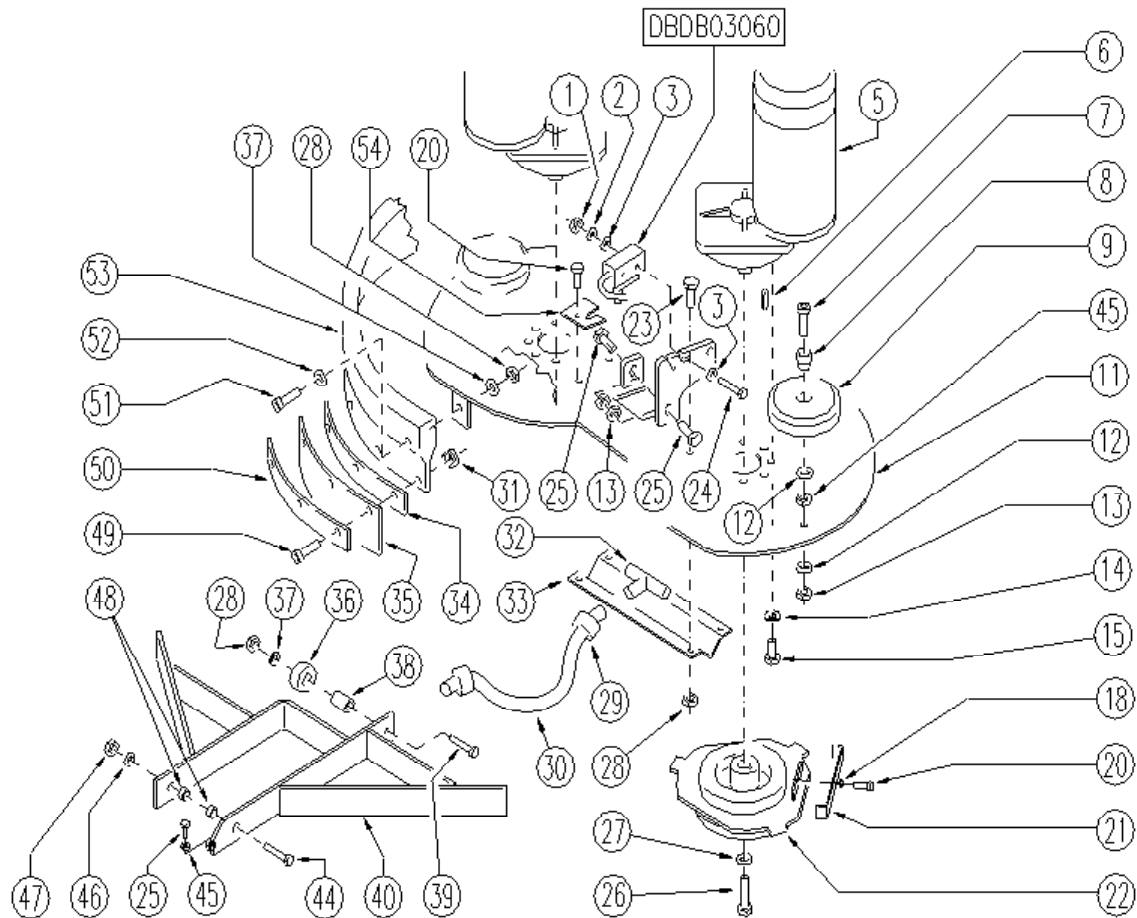


## Frame



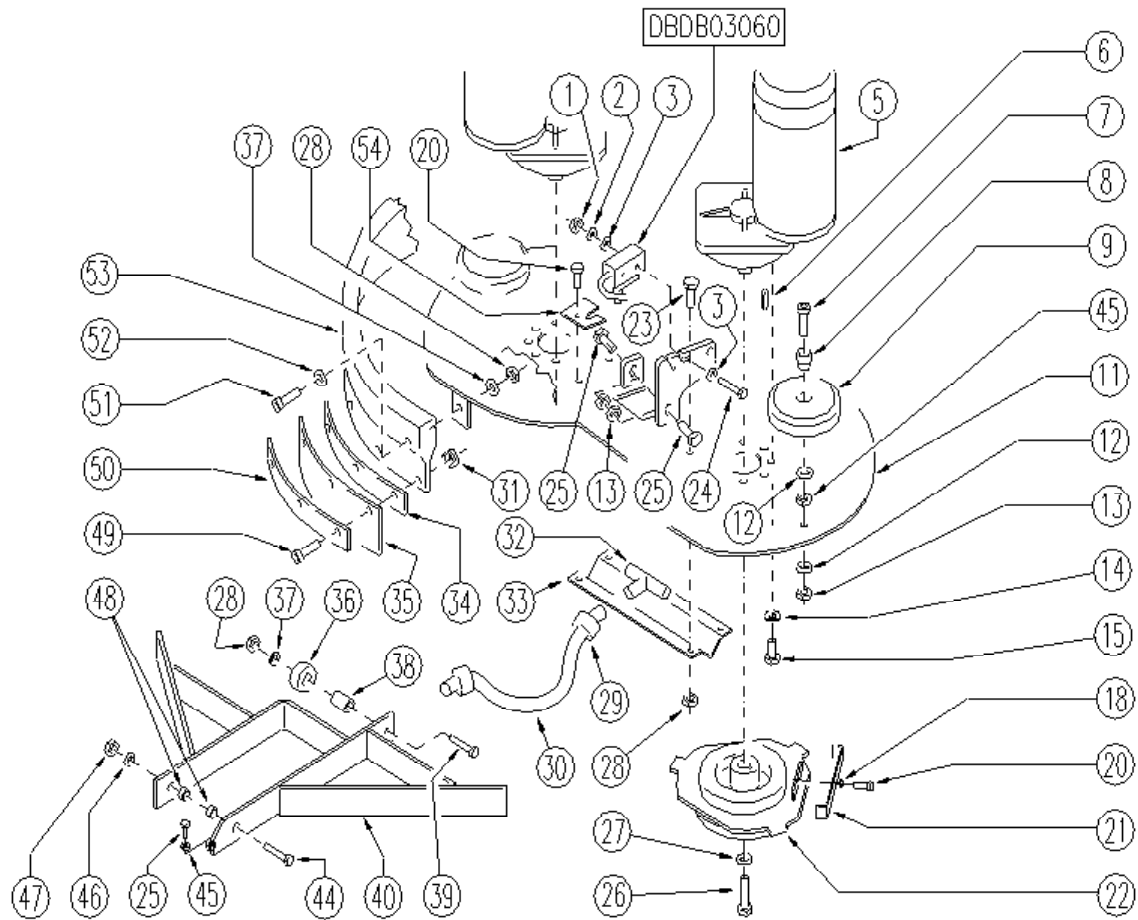
19	3LAFN05840	AXLE	1	06/2003
20	3MPVR04162	CAP	2	12/2002
21	3VTDD15521	NUT M 8 INX A2 UNI 5588	4	12/2002
22	3VTDD00042	NUT AUT.M10 UNI7474	8	12/2002
23	3VTRS00236	WASHER D.10 UNI 6592 ZINC.	16	12/2002
24	3RTRT49041	TURNING WHEEL D.125 BNDT	2	12/2002
25	3VTVT03640	SCREW TE 10X25 UNI5740	8	12/2002
26	3MLML00147	SPRING	1	12/2002
27	3VTDD15520	NUT M 6 A2 UNI 5588 INX	2	12/2002
28	3LAFN05592	FRAME	1	12/2002
29	3VTRS00245	WASHER D.6 UNI 6592 INOX	5	12/2002
30	3VTVT00701	SCREW TE M.6-30	1	12/2002
31	3VTVT13939	SCREW TE 6X20 UNI5739 INX	2	12/2002
32	3VTDD01694	NUT M 6 INX	2	
33	3MPVR35598	RUBBER B-BT	1	12/2002
34	3LAFN35599	BRAKE PEDAL	1	12/2002
35	3VTVT00708	SCREW TE M. 8-40	1	06/2003
36	3LAFN05841	LEVER	1	06/2003
37	3LAFN03913	BUSHING	1	12/2002
38	3VTVT13937	SCREW TE M 8X 30 INX UNI 5739	1	12/2002

# Head



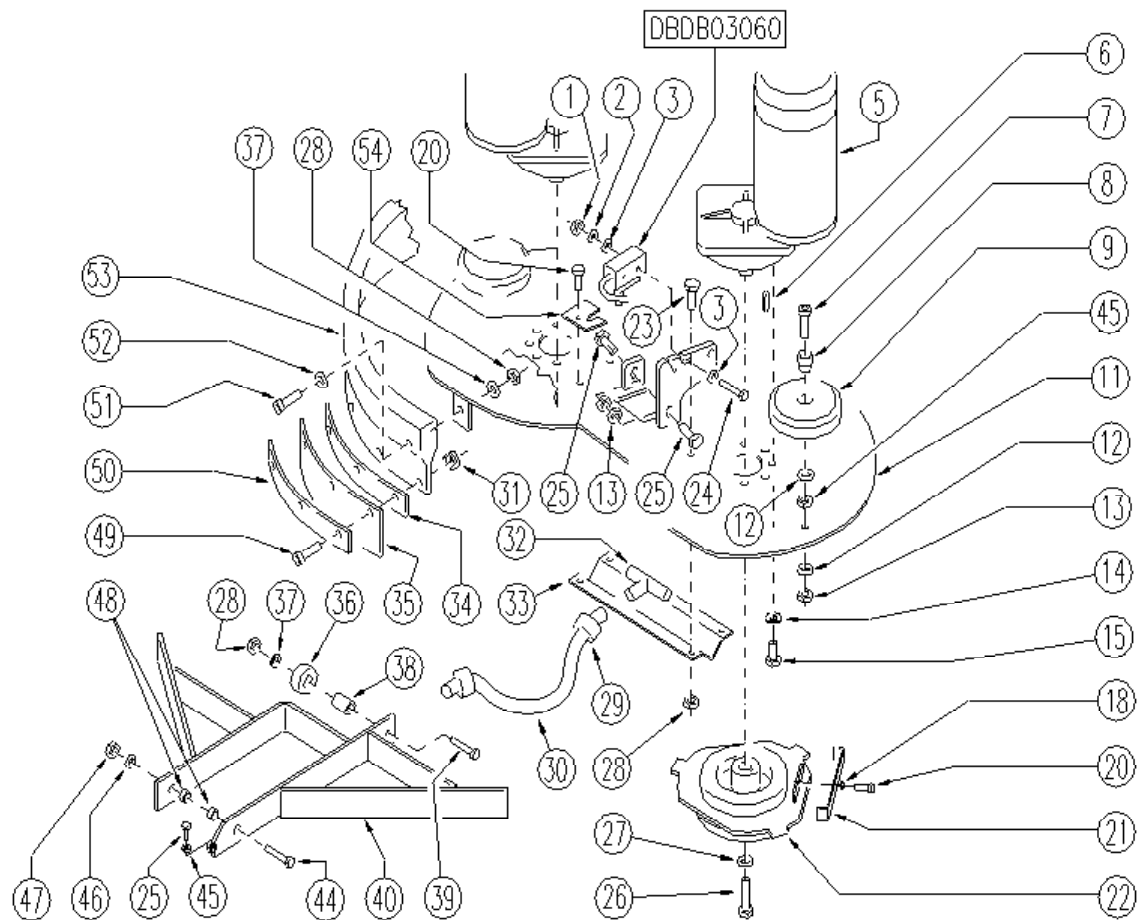
Ref.	Part N.	Description	Quantity	Validity From	Validity To
1	3VTDD15925	NUT M 4 INX	2	12/2002	
2	3VTRS15913	WASHER D. 4 A2 UNI1751	2		
3	3VTRS00251	WASHER 4-16 INOX A2	4	12/2002	
5	3MOCC00236	MOTOR	2	12/2002	
6	3VTVR21944	KEY 6X6X30	2	12/2002	
7	3VTVT00775	SCREW TCEI M 8X40 ZC.BK UNI5931	2	09/2006	
7	3VTVT63038	SCREW TCEI M8X45 BR	2	12/2002	09/2006
8	3LAFN03915	BUSHING	2	12/2002	
9	3RTRT43370	CASTER D.100 2V.	2	12/2002	
11	3LAFN05611	PLATE	1	12/2002	
12	3VTRS13947	WASHER D. 8 INX UNI 6592	2	12/2002	
13	3VTDD01695	NUT M 8 INX	4	02/2003	
14	3VTRS15144	WASHER D. 6 INX GRW UNI 1751	14	12/2002	
15	3VTVT15906	SCREW TE 6X 12 A2 UNI 5739	14	12/2002	
18	3VTRS15913	WASHER D. 4 A2 UNI1751	2	06/2003	

# Head



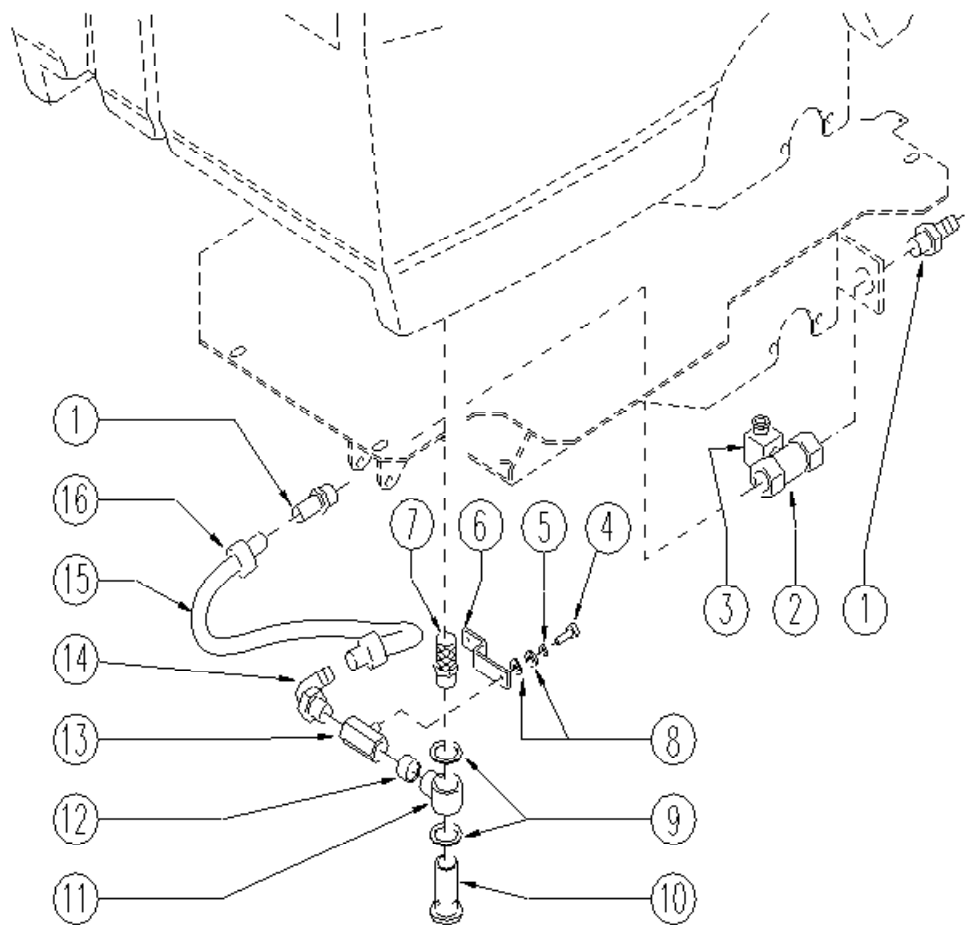
20	3VTVT21887	SCREW TCB-TC 4X10 8112	3	12/2002
21	3MLML00231	SPRING	2	12/2002
22	3MFVR00133	FLANGE	2	
23	3VTVT00787	SCREW M 6-16	4	12/2002
24	3VTVT20824	SCREW TE M 4X 40 UNI 5739 ZC	2	12/2002
25	3VTVT15907	SCREW TE 8X25 UNI5739 INX	2	06/2003
26	3VTVT00179	SCREW TSPEI M 8X30	2	05/2003
27	3VTRS00289	WASHER D.10,5-40	2	12/2002
28	3VTDD15518	NUT M 6 INX	10	12/2002
29	3FSVR00091	CLAMP 14-24	2	
30	3TBBP00362	HOSE	1	
31	3VTDD00175	NUT M.6 TONDO FILET.4 PUNTE	8	12/2002
32	3RCVR00483	CONNECTOR	1	12/2002
33	3LAFN05644	DISTRIBUTOR	1	12/2002
34	3MPVR02815	THICKNESS X FLAP	2	12/2002
35	3MPVR02786	FLAP	2	12/2002

# Head



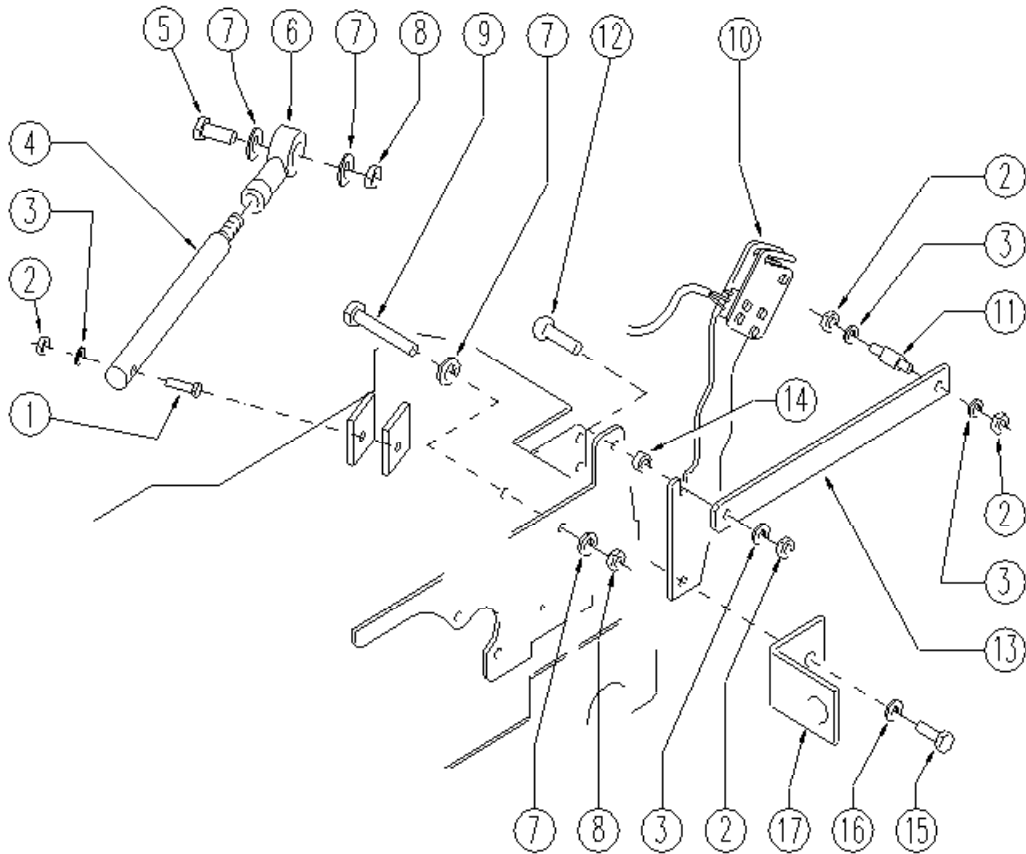
36	3RTRT49413	WHEEL D. 60-D.15 X36 NYL.	1	12/2002
37	3VTRS00245	WASHER D.6 UNI 6592 INOX	6	12/2002
38	3LAFN04041	SPACER D6/15	1	12/2002
39	3VTVT00655	SCREW TE M. 6-55	1	12/2002
40	3LAFN05655	BRACKET	1	12/2002
44	3VTVT00868	SCREW TE M12-140	1	12/2002
45	3VTDD15521	NUT M 8 INX A2 UNI 5588	1	06/2003
46	3VTRS00232	WASHER D.12 UNI 6592 ZINC.	8	12/2002
47	3VTDD00131	NUT M.12 AUT. DIN 982 ZINC	1	12/2002
48	3LAFN03721	BUSHING	2	12/2002
49	3VTVT00858	SCREW	6	12/2002
50	3MPVR02792	FLAP PRESS NYLON	2	12/2002
51	3VTVT00818	SCREW TBEI 6X35	5	12/2002
52	3VTRS13945	WASHER D. 6X18 INX UNI 6593	5	12/2002
53	3MPVR02779	BUMPER	1	
54	3LAFN05671	PLATE	1	12/2002

## Water Pipe



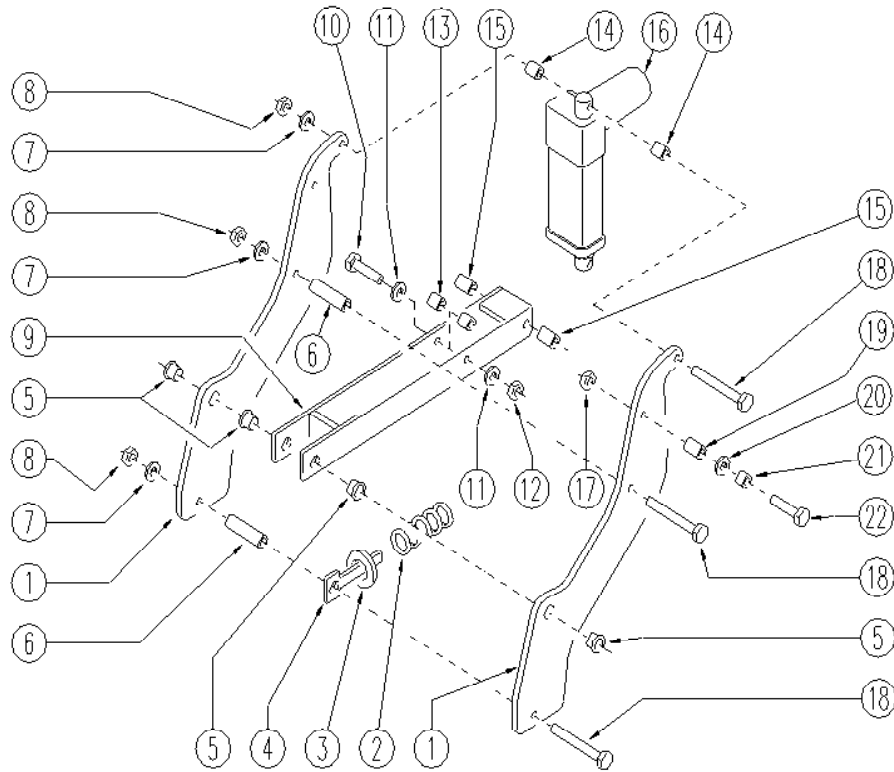
Ref.	Part N.	Description	Quantity	Validity From	Validity To
1	3RCVR00535	CONNECTOR 3/4" M	2	12/2002	
2	3MEEV00015	SOLENOID VALVE	1	12/2002	
3	3MEVR01155	CONNECTOR	1	12/2002	
4	3VTVT00834	SCREW M 3X 6 TCB-TC IX U.7687	1	12/2002	
5	3VTRS00251	WASHER 4-16 INOX A2	1	12/2002	
6	3LAFN05724	LEVER	1	12/2002	
7	3FTAC00036	FILTER	1	12/2002	
8	3VTRS13947	WASHER D. 8 INX UNI 6592	2	12/2002	
9	3GUVR00213	WASHER	2	12/2002	
10	3RCDS49623	SCREW G 1/2 L=41.5	1	12/2002	
11	3RCDS49622	CONNECTOR OCC 1/2 - 1/2M	1	12/2002	
12	3MPVR02862	COVER	1	12/2002	
13	3RCGR00065	TAP F/F 1/2"	1	12/2002	
14	3RCVR00537	CONNECTOR	1	12/2002	
15	3TBBP00322	TUBE	1	12/2002	
16	3FSVR00091	CLAMP 14-24	2	12/2002	

# Head



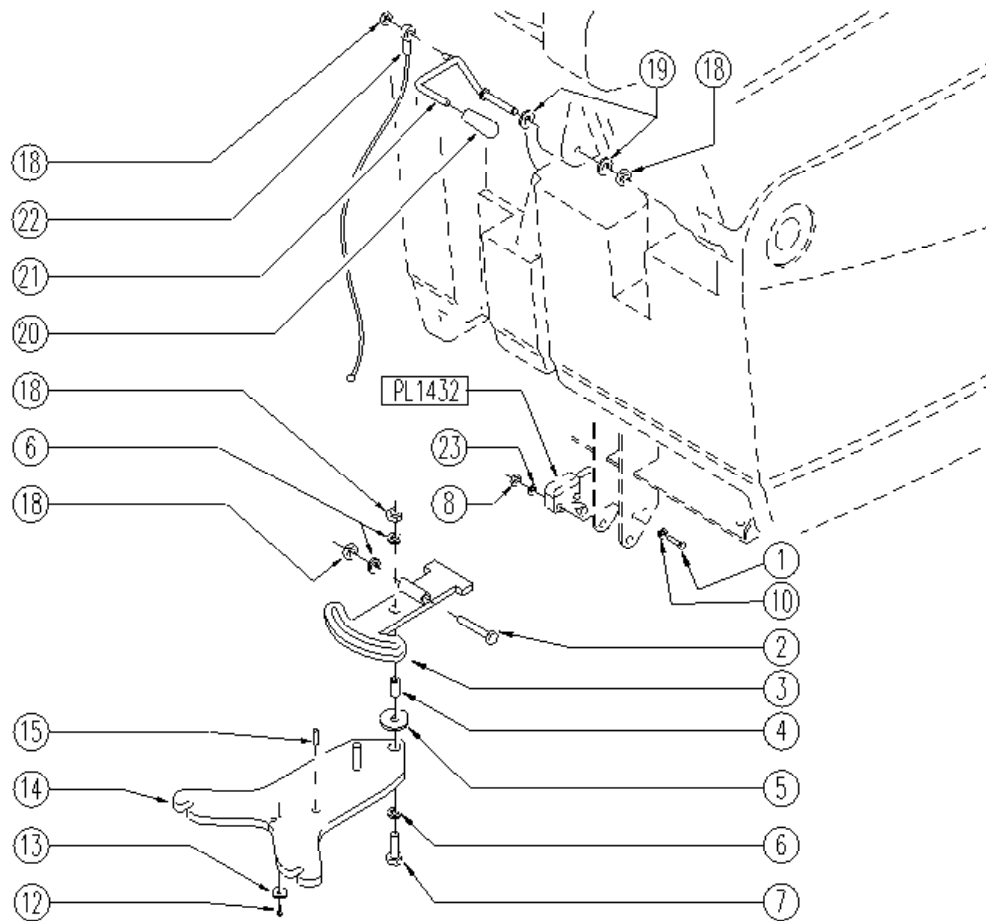
Ref.	Part N.	Description	Quantity	Validity From	Validity To
1	3VTVT15371	SCREW TE M 8X45 INOX A2 UNI	1	12/2002	
2	3VTDD01695	NUT M 8 INX	4	12/2002	
3	3VTRS13947	WASHER D. 8 INX UNI 6592	4	04/2003	
4	3LAFN05600	LEVER	1	12/2002	
5	3VTVT00467	SCREW TE M 12X45 ZINC. UNI 5737	1	12/2002	
6	3VTVR00267	ARTICULATION	1	12/2002	
7	3VTRS00232	WASHER D.12 UNI 6592 ZINC.	4	12/2002	
8	3VTDD00131	NUT M.12 AUT. DIN 982 ZINC	2	12/2002	
9	3VTVT00285	SCREW TE M12X110	1	12/2002	
10	3MECB00504	GROUP	1		
11	3LAFN04113	PIN	1	02/2003	
12	3VTVT00781	SCREW TSPEI M.8-25	1	04/2003	
13	3LAFN05604	LEVER	1	12/2002	
14	3RCDS35584	BUSHING D. 8X12X 4.3	1	12/2002	
15	3VTVT13938	SCREW TE 8X20 UNI5739 INX	1	12/2002	
16	3VTRS01080	WASHER D. 8 GRW	1	12/2002	
17	3LAFN05643	BRACKET	1	12/2002	

# Head



Ref.	Part N.	Description	Quantity	Validity From	Validity To
1	3LAFN05593	BRACKET	2	12/2002	
2	3MLML00227	SPRING	1	12/2002	
3	3VTRS00250	WASHER D.14	1	12/2002	
4	3LAFN05594	SPRING GUIDE	1	12/2002	
5	3CUVR00130	BEARING	4	12/2002	
6	3LAFN04043	SPACER D8.5-15	2	12/2002	
7	3VTRS13947	WASHER D. 8 INX UNI 6592	3	12/2002	
8	3VTDD01695	NUT M 8 INX	3	12/2002	
9	3LAFN05605	ARM	1	12/2002	
10	3VTVT00867	SCREW	1	12/2002	
11	3VTRS00245	WASHER D.6 UNI 6592 INOX	3	12/2002	
12	3VTDD15518	NUT M 6 INX	1		
13	3LAFN03840	BUSHING	2	12/2002	
14	3LAFN04042	SPACER D8.5-15	2	12/2002	
15	3RCDS34717	BUSHING D. 9X12X 8.3	2	12/2002	
16	3MOCC00226	ATUATOR	1	12/2002	
17	3VTDD01694	NUT M 6 INX	1		
18	3VTVT00734	SCREW TE M. 8-80	3	12/2002	
19	3LAFN04187	SPACER	1		
20	3VTRS13945	WASHER D. 6X18 INX UNI 6593	1		
21	3LAFN03742	SPACER	1		
22	3VTVT15145	SCREW TE 6X40 UNI5739 INX	1		

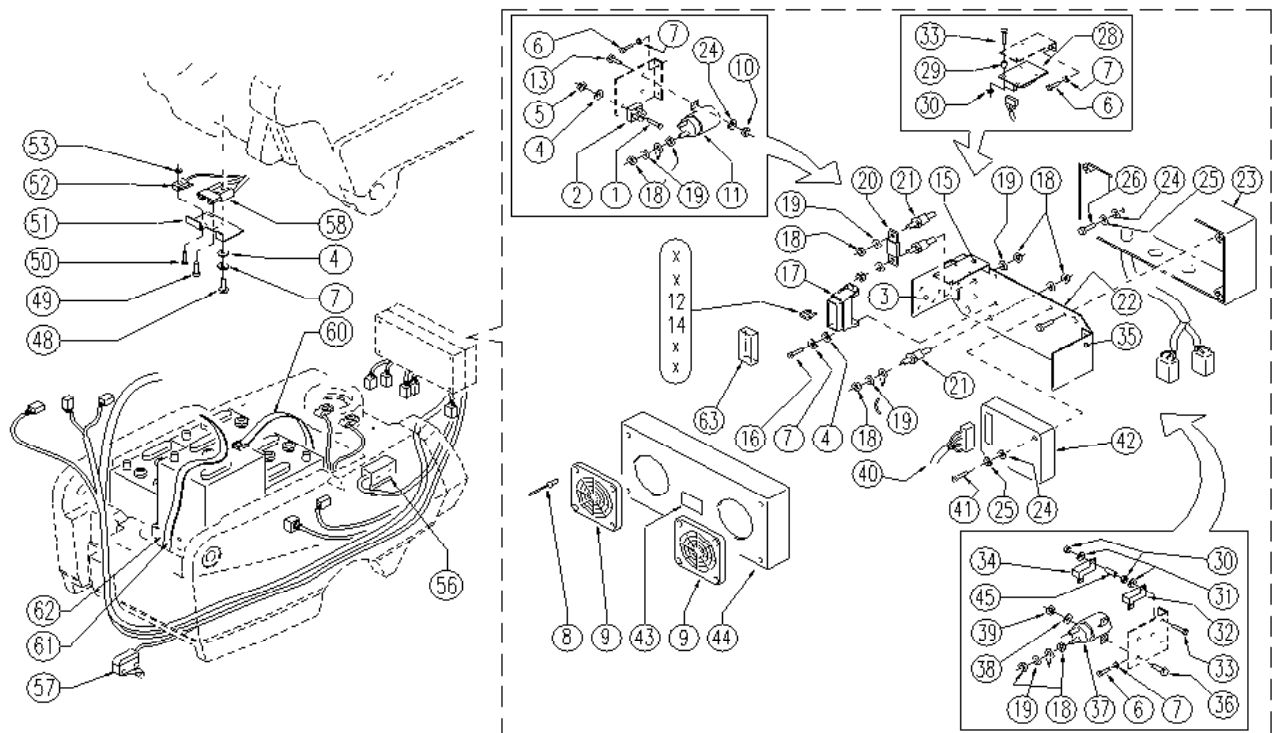
## Support



Ref.	Part N.	Description	Quantity	Validity From	Validity To
1	3VTVT00732	SCREW	2	12/2002	
2	3VTVT00757	SCREW	1	12/2002	
3	3LAFN05599	SUPPORT	1	12/2002	
4	3LAFN03957	BUSHING	1	12/2002	
5	3VTRS43258	WASHER D.13X24 X2.5 NYL UNI6592	1	12/2002	
6	3VTRS13947	WASHER D. 8 INX UNI 6592	3	12/2002	
7	3VTVT00410	SCREW TE M8x35 UNI5739 INOX	1	12/2002	
8	3VTDD15925	NUT M 4 INX	2	12/2002	
10	3VTRS00501	WASHER D. 4 0.232 UNI 6592	2	12/2002	
12	3VTVT21887	SCREW TCB-TC 4X10 8112	1	12/2002	
13	3VTRS00291	WASHER D. 5 X20 ZC UNI 6593	1	12/2002	
14	3LAFN05631	PLATE	1	12/2002	
15	3VTVT01200	GRUB SCREW M8 X 16 INOX	1	04/2004	
18	3VTDD01695	NUT M 8 INX	3	12/2002	
19	3VTRS13946	WASHER D. 8 X24 INX UNI 6593	2	12/2002	
20	3VTVR49226	HANDWHEEL F M10 D.82	1	12/2002	
21	3LAFN49035	LEVER	1	12/2002	
22	3CMCV00305	CABLE	1	12/2002	
23	3VTRS15913	WASHER D. 4	2	12/2002	

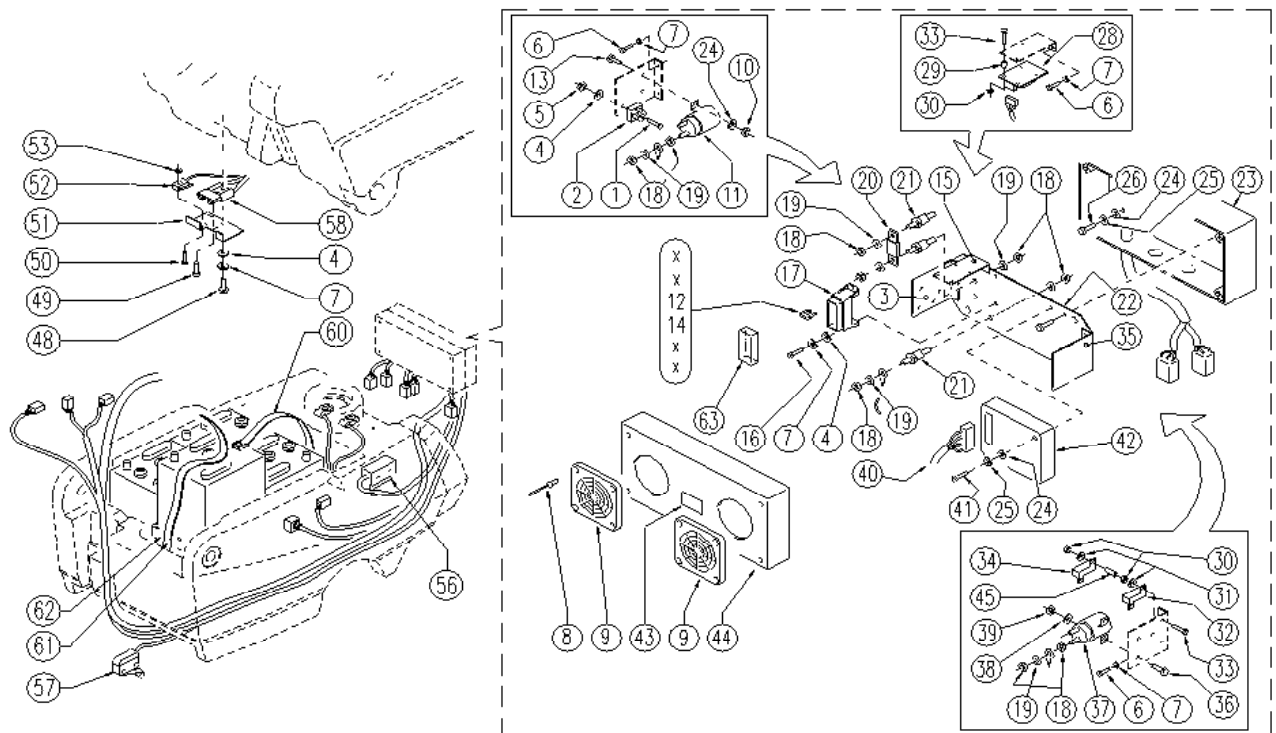


## Electric. Instal.



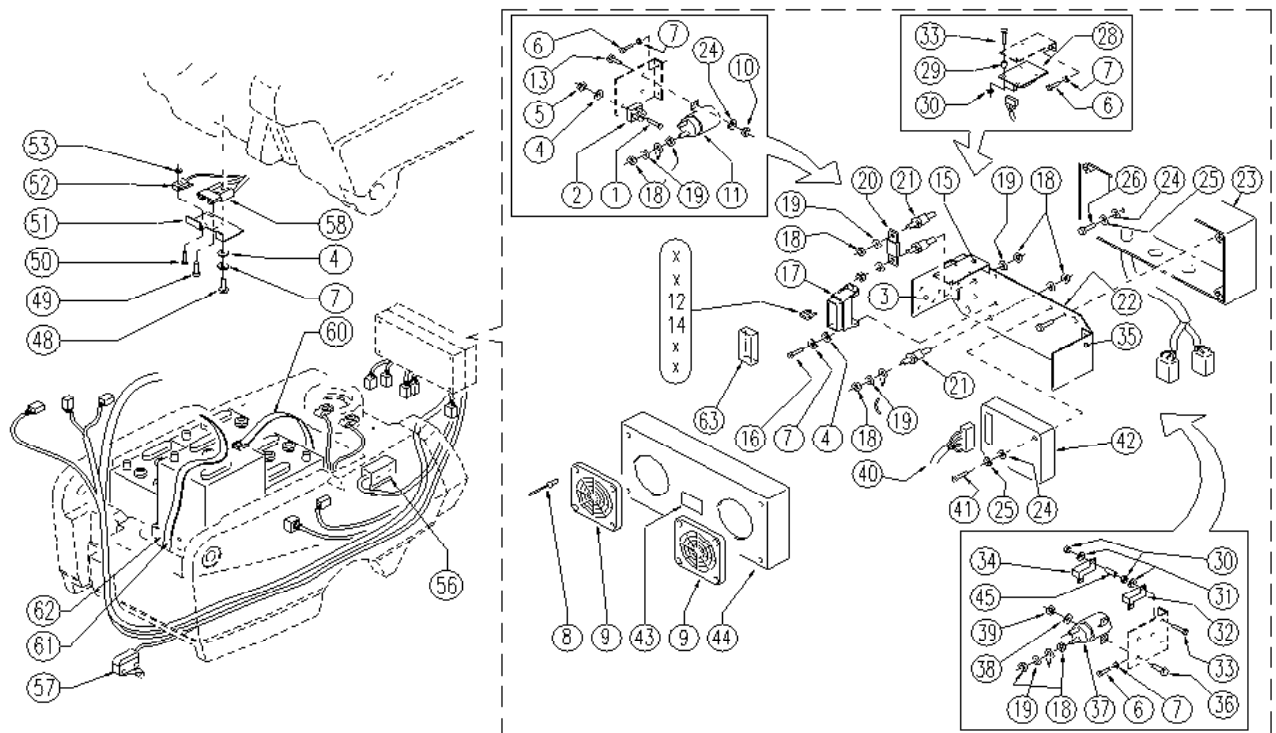
Ref.	Part N.	Description	Quantity	Validity From	Validity To
1	3VTVT00704	SCREW TE M 4X 16 UNI5739 INOX	1		
2	3MECE35767	RECTIFIER	1	12/2002	
3	3LAFN05613	BRACKET PONTE DIODI	1	12/2002	
4	3VTRS00501	WASHER D. 4 0.232 UNI 6592	10	12/2002	
5	3VTDD04369	NUT M 4 TEF UNI 7473	2	12/2002	
6	3VTVT00754	SCREW TC+ M. 4-10	4	12/2002	
7	3VTRS15913	WASHER D. 4	6	12/2002	
8	3VTVR00238	RIVET 4-10	8	12/2002	
9	3MPVR02797	BRACKET	2	12/2002	
10	3VTDD15517	NUT M 5 INX	2		
11	3METT30650	CONTACTOR 24 V	1	12/2002	
12	3MEVR01380	FUSE	1	12/2002	
13	3VTVT34115	SCREW TE M 5X 10 UNI 5739	2	12/2002	
14	3MEVR01316	FUSE 10 A. 32V	1	12/2002	
15	3LAFN05927	CARRYNG BAG	1		
16	3VTVT00725	SCREW TC+ M.4-12	2	12/2002	
17	3MEVR01386	FUSE 6 POSTI	1		
18	3VTDD10776	NUT M 8 X1 UNI 5588	18	12/2002	
19	3VTRS01080	WASHER D. 8 GRW	14	12/2002	

## Electric. Instal.



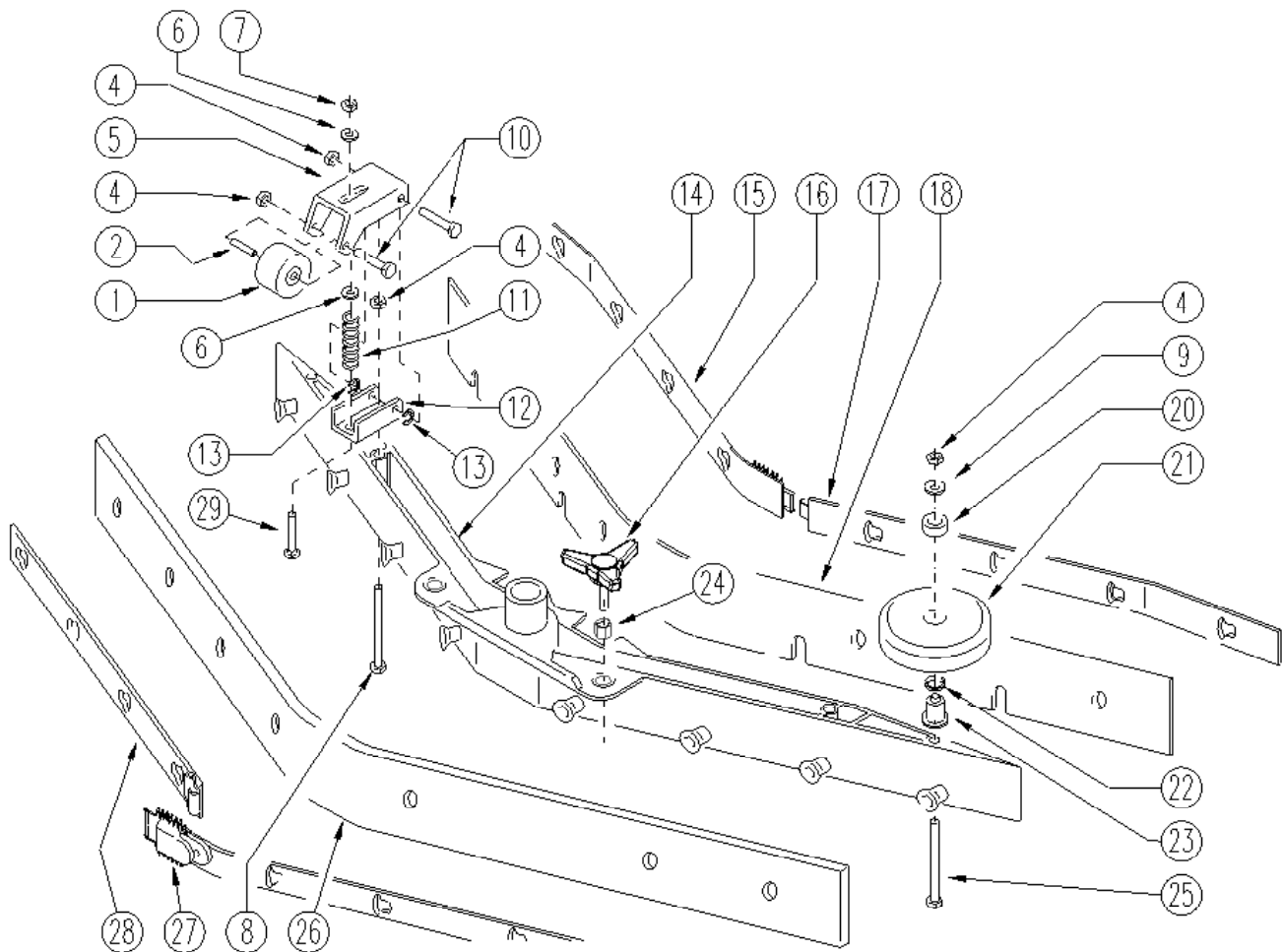
20	3MEVR01346	FUSE 125 A.	1	12/2002
21	3MEVR01116	SUPPORT 120 A	3	12/2002
22	3LAFN05612	PLATE	1	12/2002
23	3MEVR01556	BOX BASE	1	
24	3VTRS00516	WASHER D. 5 INX	6	12/2002
25	3VTRS15908	WASHER D. 5 INX GRW UNI 1751	4	12/2002
26	3VTVT48694	SCREW TCB TC 5 X12 UNI 9707 TZ	4	
28	3MECE00396	BOARD	1	
29	3MPVR02973	CARRYNG BAG	3	
30	3VTDD21115	NUT M 3 INOX	4	12/2002
31	3VTRS00268	WASHER D.3	4	
32	3MECE00391	RESISTANCE	1	12/2002
33	3VTVT00722	SCREW	2	12/2002
34	3MECE00369	RESISTANCE 10 OHM 50 WATT	1	12/2002
35	3LAFN05614	BRACKET	1	12/2002
36	3VTVT01109	SCREW TE M 6X 10 ZC. UNI 5739	2	12/2002
37	3METT00056	CONTACTOR T-106	1	12/2002
38	3VTRS00231	WASHER D. 6 UNI 6592 ZINC.	2	12/2002
39	3VTDD00157	NUT M. 6 DIN 985 ZN	2	

## Electric. Instal.



40	3MECI00277	CONNECTOR	1	11/2003
41	3VTVT62948	SCREW M 4X 50 TC-CR ZC U.7687	2	12/2002
42	3MECE00336	GEARCASE TRAZ. 24V	1	12/2002
43	3ETET00763	LABEL	1	12/2002
44	3MEVR01339	COVER	1	
45	3LAFN04047	SPACER M3 15x8x8	2	12/2002
48	3VTVT00814	SCREW TE M.4-25	2	06/2004
49	3VTVT00872	SCREW TSP+ 2.9X13. INOX	1	12/2002
50	3VTVT00671	SCREW TC- M.2-16	2	12/2002
51	3LAFN05653	SUPPORT MICRO	1	12/2002
52	3MECI00334	MICROSWITCH V4	1	12/2002
53	3VTDD08634	NUT M2	2	12/2002
56	3MECI00199	MICROSWITCH CABLATO	1	12/2002
57	3MECI38439	MICRO-SWITCH MN-5141	1	12/2002
58	3MEVR01079	PLUG M CB50 A 600V RD.	1	12/2002
60	3MPVR02994	BELT BATTERY	2	12/2002
61	3MPVR02995	BELT BATTERY	2	12/2002
62	3MPVR04042	PLATE BATTERY	4	12/2002
63	3MEVR01383	COVER PVC	1	

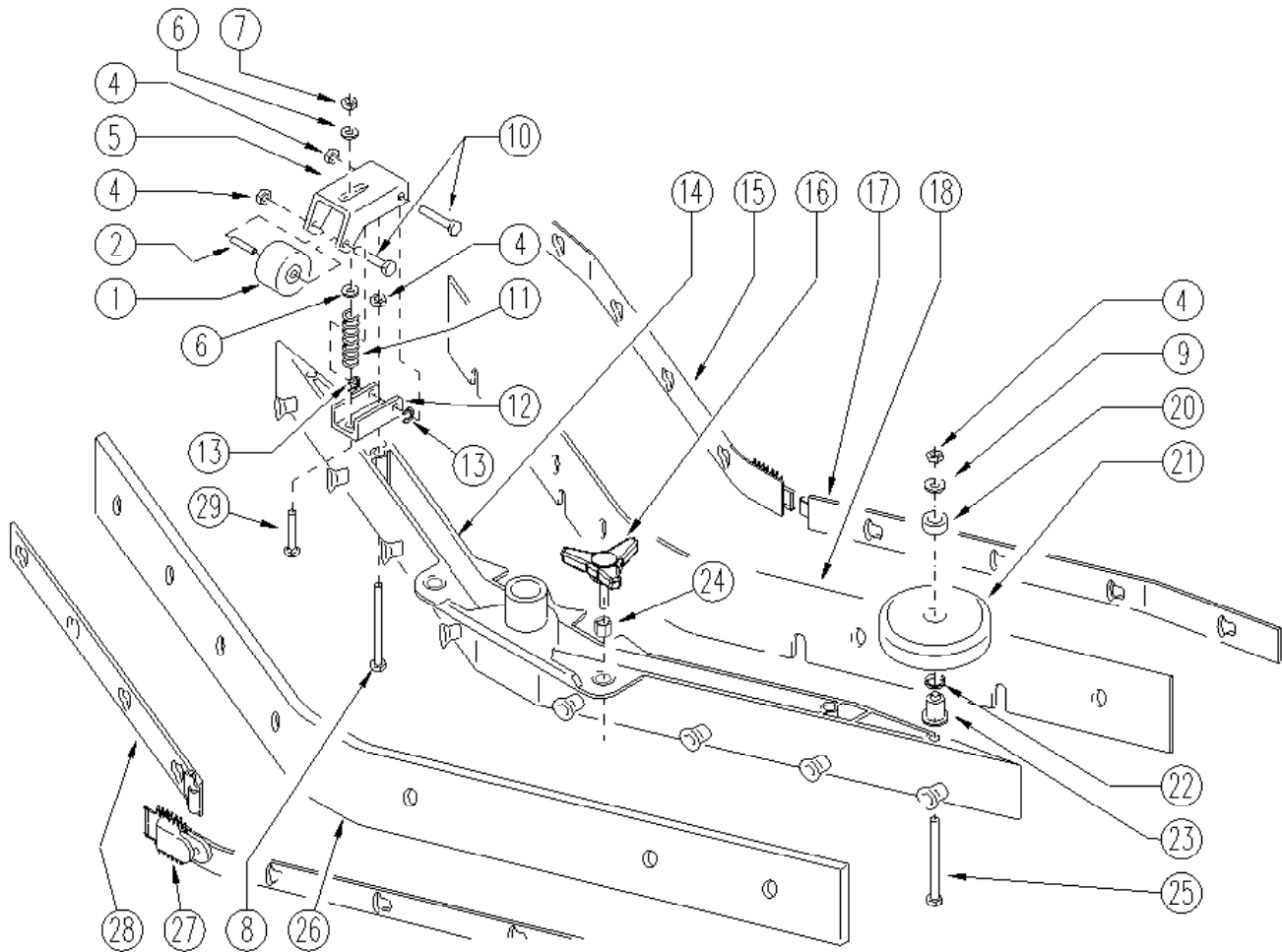
# Squeegee



## Complete Squeegee Assembly - 3PMVR02004

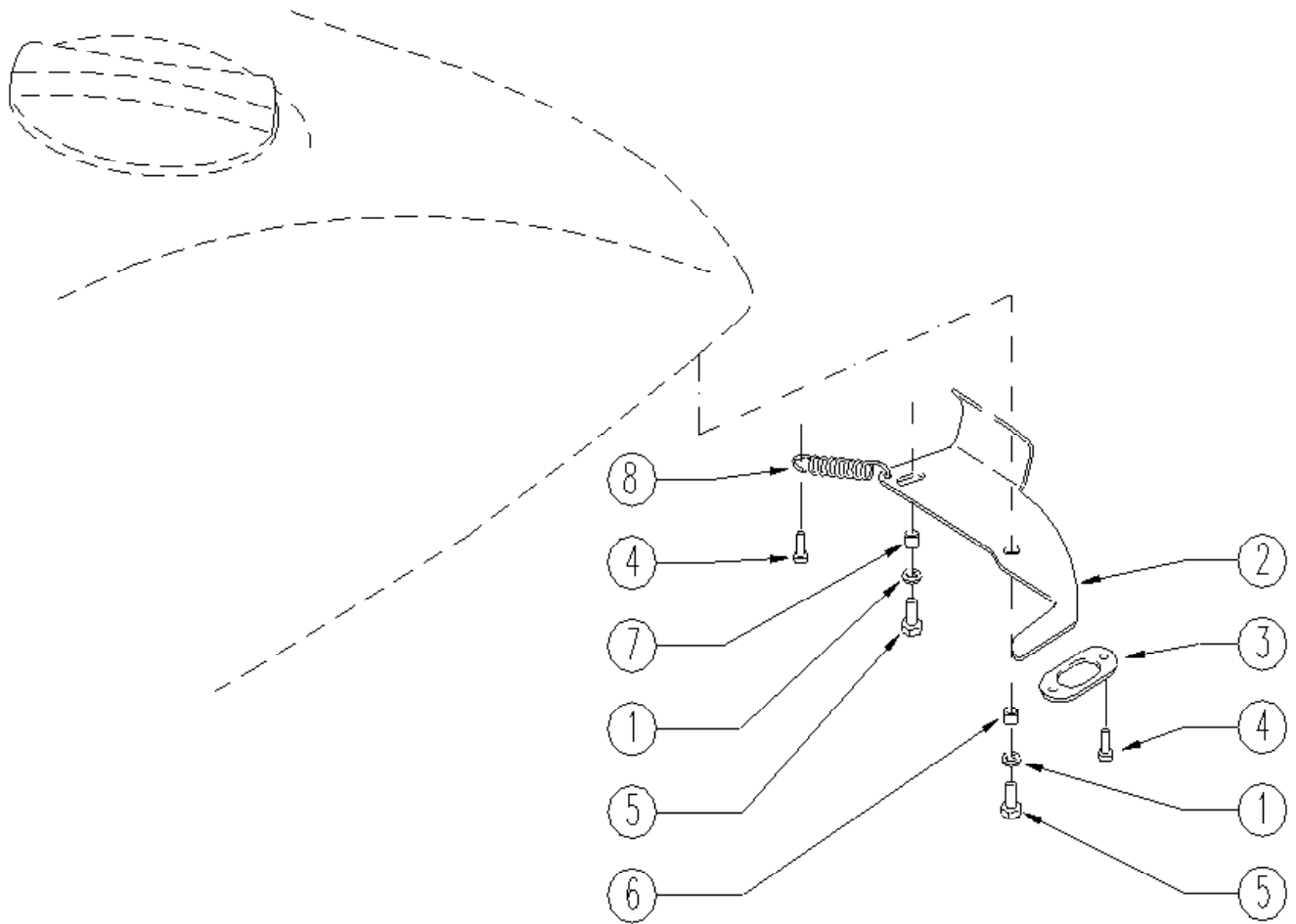
Ref.	Part N.	Description	Quantity	Validity From	Validity To
1	3RTRT49413	WHEEL D. 60-D.15 X36 NYL.	2		
2	3LAFN04041	SPACER D6/15	2		
4	3VTDD01694	NUT M 6 INX	8		
5	3LAFN05559	SUPPORT	2		
6	3VTRS13947	WASHER D. 8 INX UNI 6592	4		
7	3VTDD01695	NUT M 8 INX	2		
8	3VTVT15142	SCREW TE M 6x45 INOX	2		
9	3VTRS00245	WASHER D.6 UNI 6592 INOX	2		
10	3VTVT15515	SCREW TE M 6X 50 INOX A2	4		
11	3MLML49422	SPRING D.15X 45 X1	2		
12	3LAFN51069	BRACKET SQUEEGEE	2		
13	3VTAE45707	CIRCLIP D. 6 UNI 7434 INOX	4		
14	3MFVR00140	BODY SQUEEGEE	1		

# Squeegee



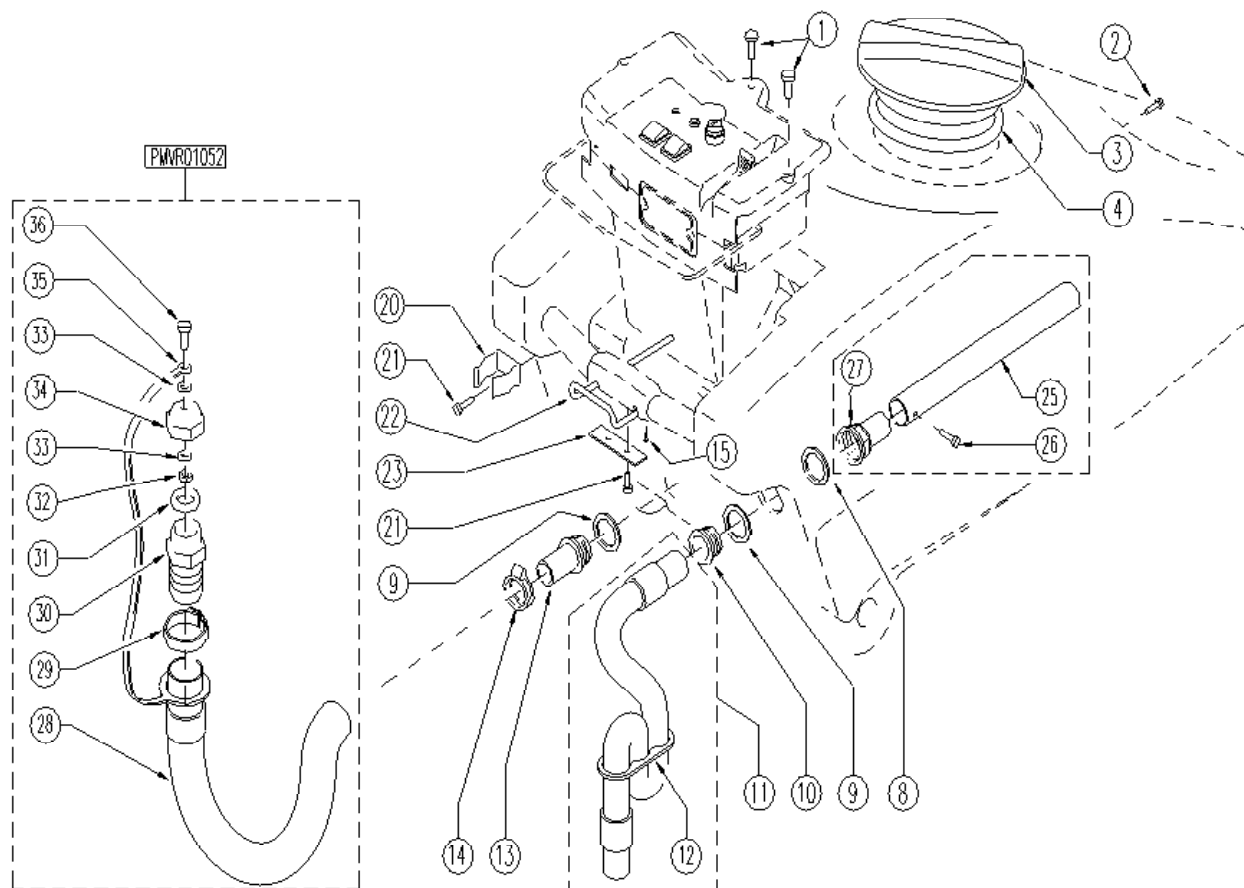
15	3LAFN51047	BLADE HOLDER	1
16	3MPVR05265	KNOB 8X25	2
17	3LAFN51046	BLADE HOLDER	1
18	3MPVR48380	RUBBER BLADE	1
20	3MPVR49229	BUSHING SHK	2
21	3MPVR05290	ROLLER	2
22	3GUGO00164	GASKET	2
23	3LAFN04100	SPACER	2
24	3VTVR00022	INSERT	2
25	3VTVT00841	SCREW TE M. 6-65	2
26	3MPVR48379	RUBBER BLADE	1
27	3LAFN05675	BLADE HOLDER	1
28	3LAFN05674	BLADE HOLDER	1
29	3VTVT01304	SCREW M 8X 40 TTQST UNI 5731	2

# Lever



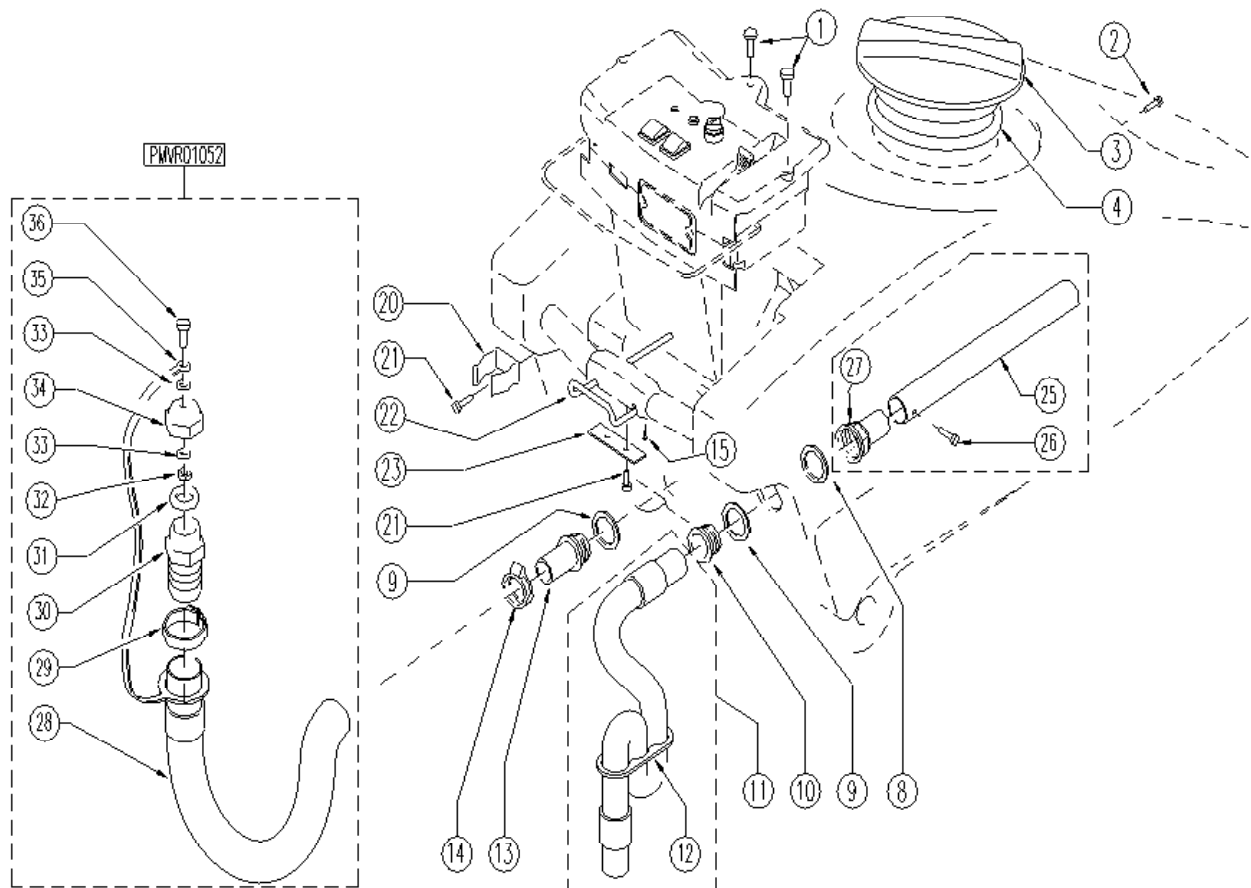
Ref.	Part N.	Description	Quantity	Validity From	Validity To
1	3VTRS13947	WASHER D. 8 INX UNI 6592	3	12/2002	
2	3LAFN05756	HANDLE	1	12/2002	
3	3LAFN05755	PLATE	1	12/2002	
4	3VTVT48694	SCREW TCB TC 5 X12 UNI 9707 TZ	3	12/2002	
5	3VTVT00779	SCREW TBEI M.8-16	2	12/2002	
6	3RCDS35584	BUSHING D. 8X12X 4.3	2	12/2002	
7	3LAFN03940	BUSHING 8/12-5,25	2		
8	3MLML00196	SPRING	1	12/2002	

# Tank



Ref.	Part N.	Description	Quantity	Validity From	Validity To
1	3VTVT00858	SCREW	3	12/2002	
2	3VTVT00806	SCREW TBEI M. 6-10	2	12/2002	
3	3MPVR04051	TANK CAP	1	01/2003	
4	3GUGO00263	GASKET	1	12/2002	
8	3GUVR49928	GASKET	1	12/2002	
9	3GUGO00216	GASKET	2	12/2002	
10	3RCVR00508	PIPE UNION	1	12/2002	
11	3PMVR01043	VAC HOSE	1	12/2002	
12	3MPVR02730	PLATE	1	12/2002	
13	3RCVR49929	CONNECTOR DTT 1"1/2 D.50	1	12/2002	
14	3FSVR00105	CLAMP	1	12/2002	
15	3VTVT00813	SCREW M 4X 8 TCB-TC UNI 8112	1	12/2002	
20	3FSVR44166	HOSE CLIP D.50	1	12/2002	
21	3VTVT48694	SCREW TCB TC 5 X12 UNI 9707 TZ	4	12/2002	
22	3PMVR01058	BUTTON	1		

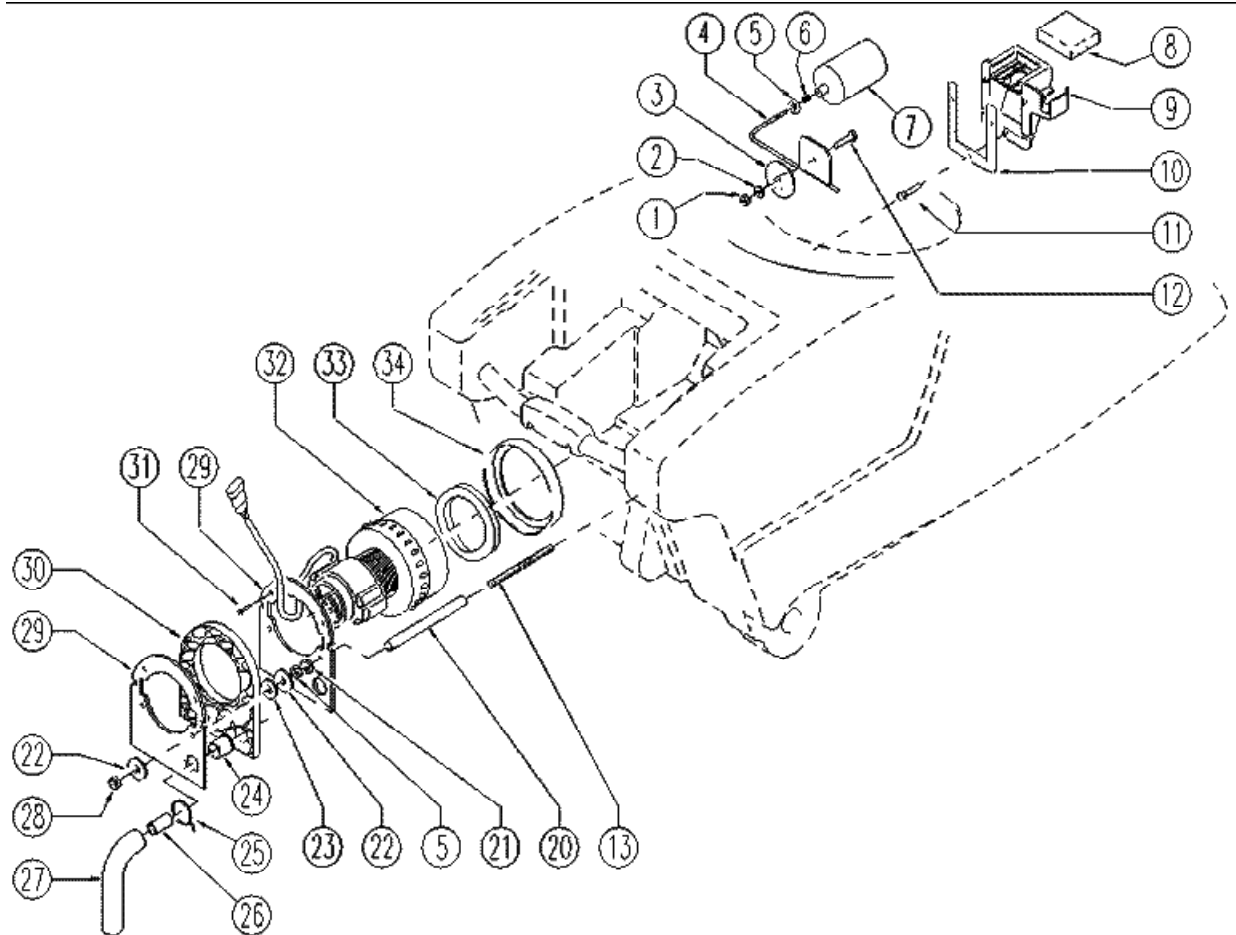
# Tank



23	3LAFN05607	PLATE	1	12/2002	
25	3MPVR02889	TUBE	1	01/2003	
26	3VTVT85145	SCREW TCB T-CROCE 4,2X9,5 INOX	1		
27	3RCVR00504	CONNECTOR	1	01/2003	
28	3TBFX00194	HOSE	1	01/2003	12/2007
28	3TBFX00314	HOSE DISCHARGE	1	01/2008	
29	3FSVR00120	CLAMP	1	01/2008	
29	3MPVR46993	RING NUT	1	01/2003	12/2007
30	3RCVR46992	CONNECTOR	1	01/2003	
31	3GUGO00226	GASKET 1"1/4	1	01/2003	
32	3VTDD01695	NUT M 8 INX	1	01/2003	
33	3VTRS13947	WASHER D. 8 INX UNI 6592	2	01/2003	
34	3RCVR00524	CAP	1	01/2003	
35	3MPVR02805	CLAMP	1	01/2003	
36	3VTVT00842	SCREW	1	01/2003	

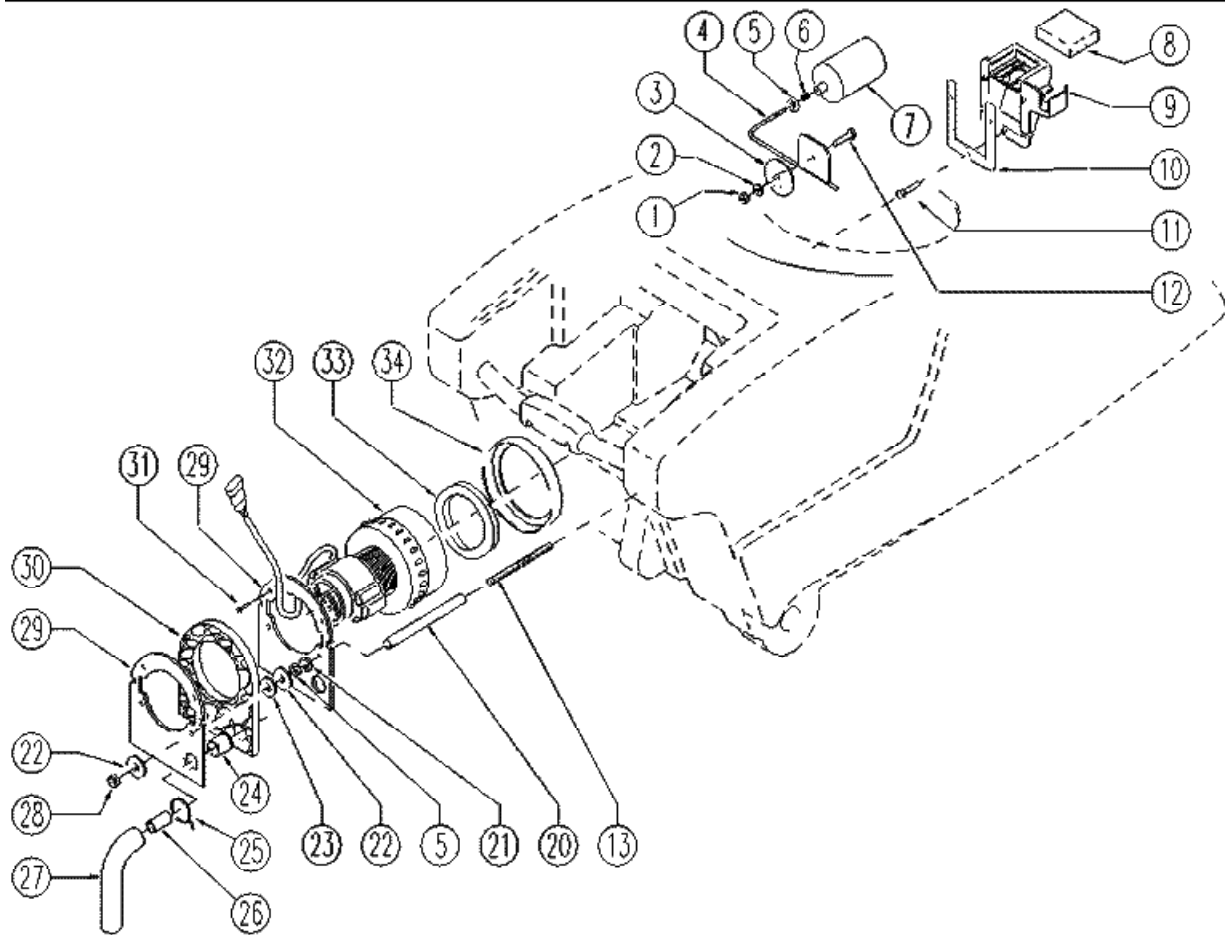


# Vacuum Cleaner



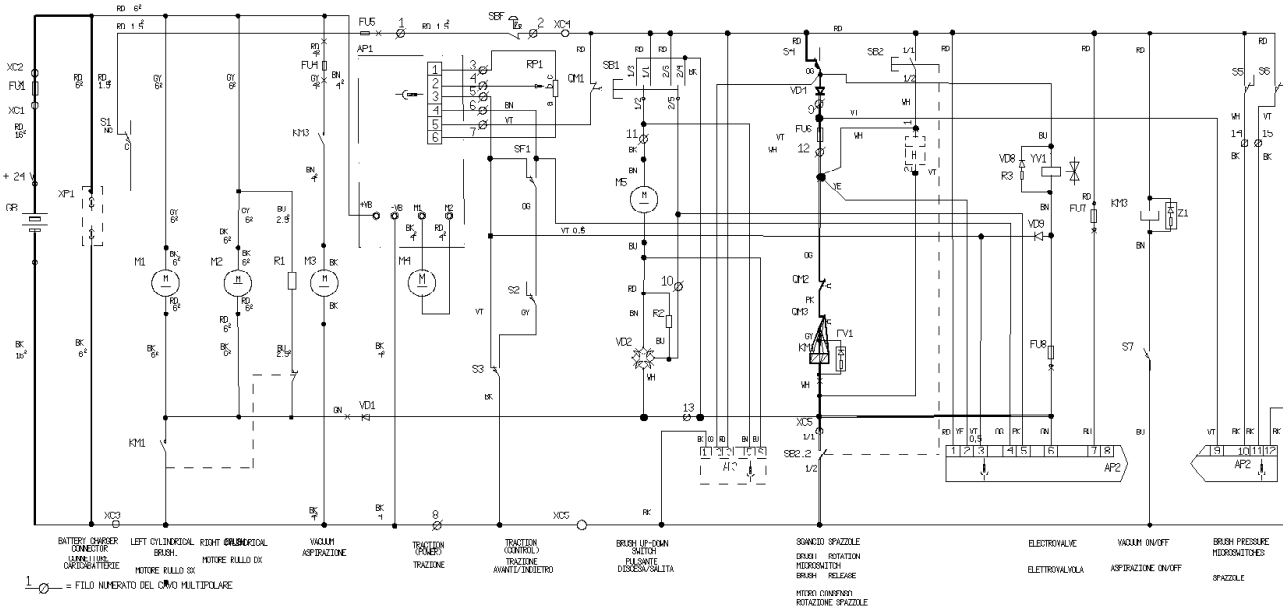
Ref.	Part N.	Description	Quantity	Validity From	Validity To
1	3VTDD01693	NUT M 5 INX	1	04/2004	
2	3VTRS13750	WASHER D. 5X14 INX	1	04/2004	
3	3MPVR02702	CAP	1	04/2004	
4	3LAFN05118	ROD	1	04/2004	
5	3VTDD15520	NUT M 6 A2 UNI 5588 INX	3	04/2004	
6	3VTVR00212	INSERT	1	04/2004	
7	3RCGR00064	FLOATER	1	04/2004	
8	3FTAC47474	FILTER	1	04/2004	
9	3MPVR03846	SUPPORT	1	04/2004	
10	3GUGO00221	GASKET	1		
11	3VTVT00677	SCREW	3	04/2004	
12	3VTVT00805	SCREW TBEI M. 5-10	1	04/2004	
13	3VTVT00785	ROD	2	04/2004	
20	3LAFN51077	SPACER PH	2	04/2004	

# Vacuum Cleaner



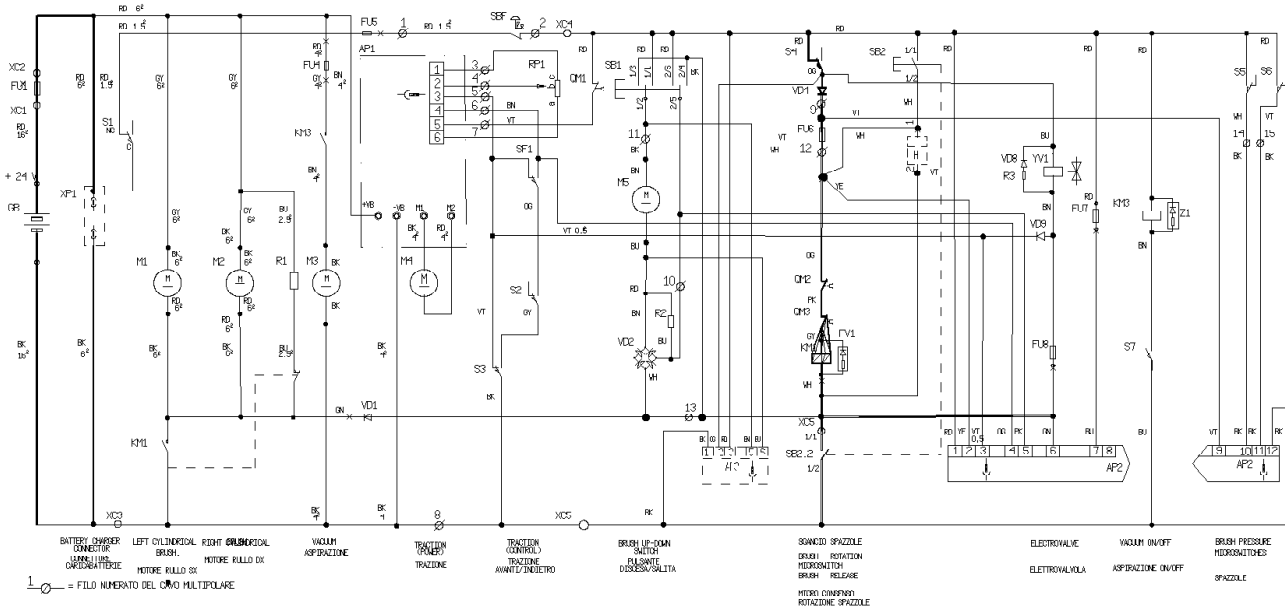
21	3VTRS13945	WASHER D. 6X18 INX UNI 6593	2	04/2004
22	3VTRS16937	WASHER 6x24 INOX UNI 6593	4	
23	3MPVR35582	RUBBER	2	04/2004
24	3MPVR31077	BUSHING	1	04/2004
25	3FSVR00086	CLAMP	1	04/2004
26	3TBFX00217	TUBE	1	04/2004
27	3ITSO00036	SOUND-PROOFING	1	04/2004
28	3VTDD00124	NUT M 8 BASSO	2	
29	3LAFN51076	FLANGE	2	04/2004
30	3ITSO00035	SOUND-PROOFING	1	04/2004
31	3VTVT00892	SCREW	4	04/2004
32	3MOCC00273	MOTOR 3 ST.24V 116598-13	1	05/2004
33	3GUVR48858	GASKET SRB.SHK	1	04/2004
34	3GUGO30649	GASKET LAV.DW.	1	04/2004

# Electric Diagram



Ref.	Part N.	Description	Quantity	Validity From	Validity To
AP1	3MECE00336	GEARCASE TRAZ. 24V	1		
AP2	3MECE00344	BOARD LED CON 2 RESIST.	1		
FU1	3MEVR01346	FUSE 125 A.	1		
FU4	3MEVR01380	FUSE A LAMA	1		
FU5	3MEVR01316	FUSE A LAMA 10 A. 32V	1		
FU6	3MEVR01132	FUSE A LAMA 5 A.	1		
FU7	3MEVR01132	FUSE A LAMA 5 A.	1		
FU8	3MEVR01132	FUSE A LAMA 5 A.	1		
FV1	3MECI00313	DIODE CPL R=10	1		
FV2	3MECI00313	DIODE CPL R=10	1		
KM1	3METT00056	CONTACTOR T-106	1		
KM3	3METT30650	CONTACTOR 24 V	1		
M1	3MOCC00236	GEAR MOTOR	1		
M2	3MOCC00236	GEAR MOTOR	1		
M3	3MOCC00243	MOTOR VAC 24V	1		
M4	3MOCC00235	MOTOR.GEARBOX	1		
M5	3MOCC00226	ATUATOR	1		
R1	3MECE00391	RESISTANCE	1		
R2	3MECE00369	RESISTANCE 10 OHM 50 WATT	1		
R3	3MECE00358	RESISTANCE 10 OHM 1/2W	1		

# Electric Diagram



RP1	3MEVR01432	POTENTIOMETER	1
S1	3MECI00334	MICROSWITCH V4	1
S2	3MECI36393	MICROSWITCH	1
S3	3MECI36393	MICROSWITCH	1
S4	3MECI36393	MICROSWITCH	1
S5	3MECI38439	MICRO-SWITCH MN-5141	1
S6	3MECI00303	MICROSWITCH	1
S7	3MECI00303	MICROSWITCH	1
S8	3MECI38439	MICRO-SWITCH MN-5141	1
SB1	3MECI46638	COMMUTATOR	1
SB2	3MECI00309	SWITCH	1
VD1	3MECI00281	DIODE P 600 G	1
VD2	3MECE35767	RECTIFIER LAV. E 450	1
VD3	3MECI00281	DIODE P 600 G	1
VD4	3MECI00281	DIODE P 600 G	1
VD5	3MECI00294	DIODE 1N4007	1
XC1	3MEVR01116	SUPPORT 120 A	1
XC2	3MEVR01116	SUPPORT 120 A	1
XC3	3MEVR01116	SUPPORT 120 A	1
XC4	3MEVR01222	CLAMP E 29	1
YV1	3MEEV00015	SOLENOID VALVE	1