

Parts Manual Manuel de pièces



Hurricane Maxi

Automatic Scrubber

Code: 19355-C-AGM

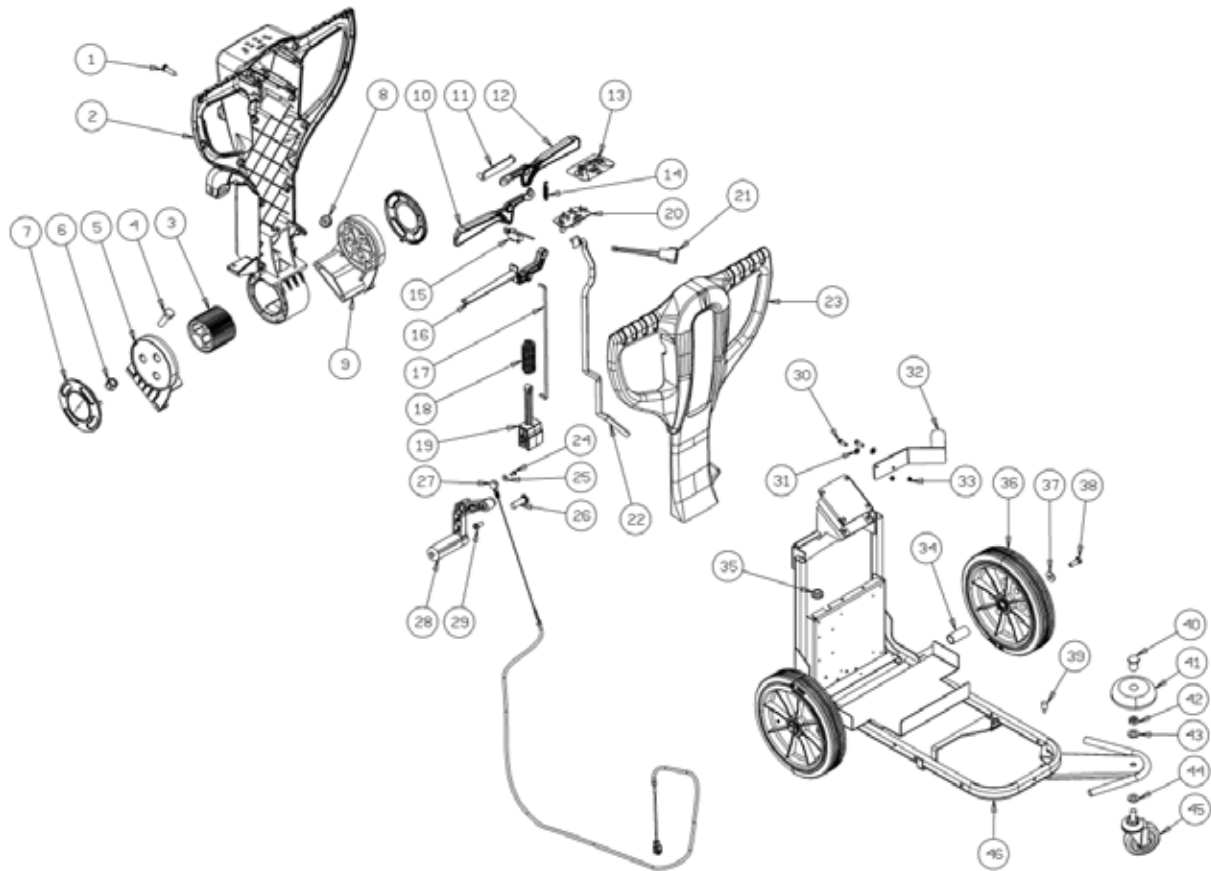
Serial #: _____

Date of Purchase: _____

More info : www.dustbane.ca

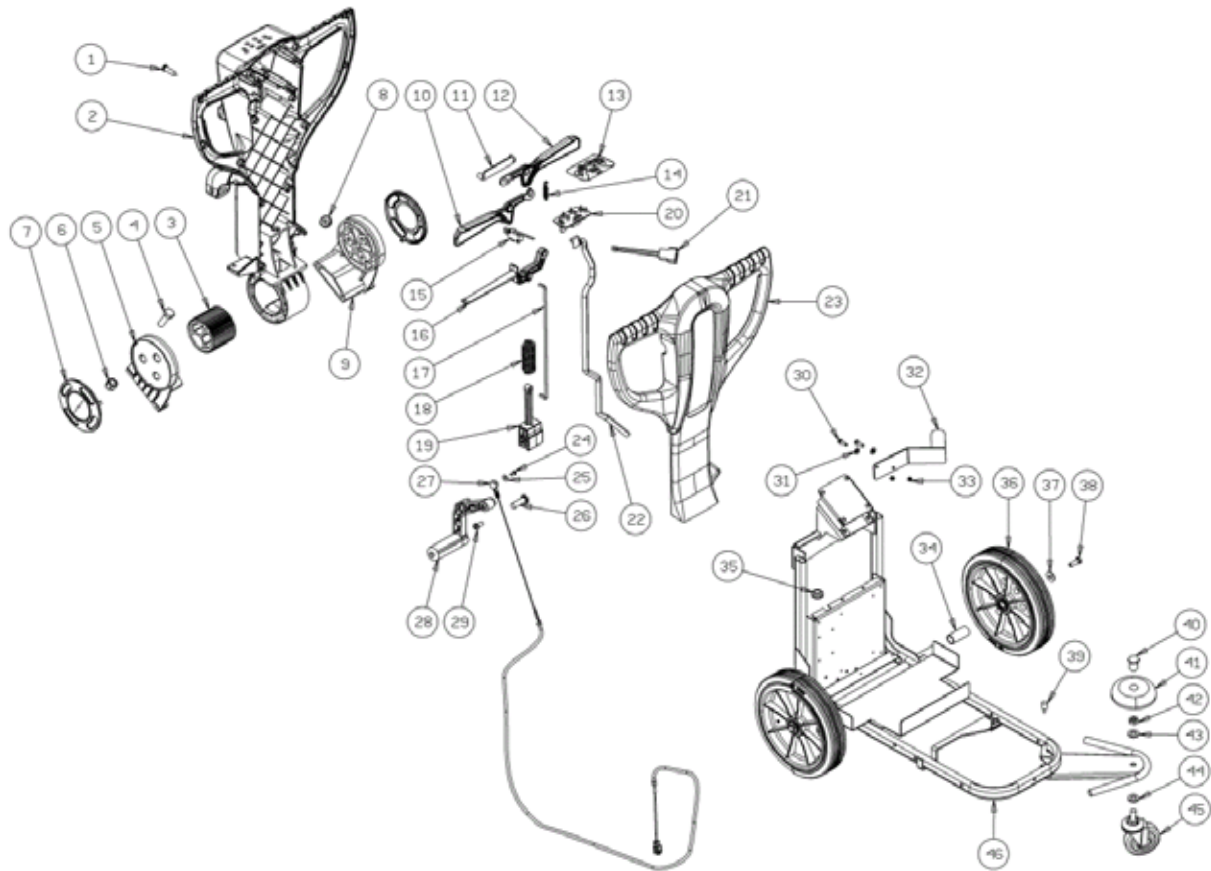
07-2013

FRAME



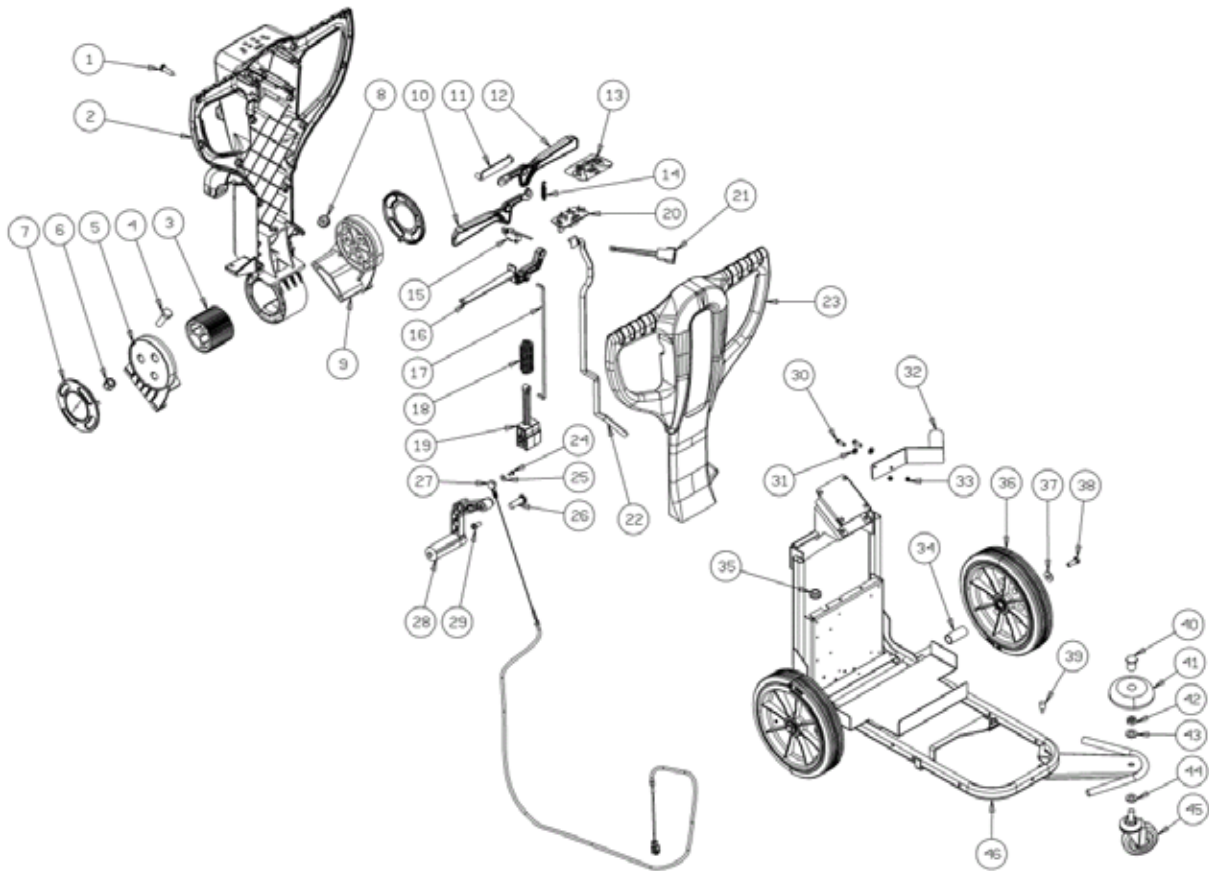
Ref.	Part N.	Description	Quantity	Validity From	Validity To
1	3VTVT01371	SCREW 4,8X19	14		
2	3MPVR06047	CRANKCASE	1		
3	3MPVR06056	GEAR	1		
4	3VTVT75724	SCREW TBEI M 8X 22 ISO 7380 ZB	4		
5	3MPVR06053	SHELL DX	1		
6	3VTDD00124	NUT M 8 BASSO	4		
7	3MPVR06055	COVER	2		
8	3MPVR06057	FAIR-LEAD	1		
9	3MPVR06054	SHELL SX	1		
10	3MPVR06049	LEVER DX	1		
11	3MPVR06298	COVER CT55	1		
12	3MPVR06048	LEVER SX	1		
13	3ETET01780	LABEL	1		
14	3MLML00336	SPRING	1		
15	3MECI36393	MICROSWITCH TRZ. DRW	1		
16	3MPVR06050	LEVER ADJUSTMENT	1		
17	3LAFN09221	LEVER RINVIO	1		
18	3MLML00337	SPRING	1		
19	3MPVR06052	HANDLE SUPPORT	1		

FRAME



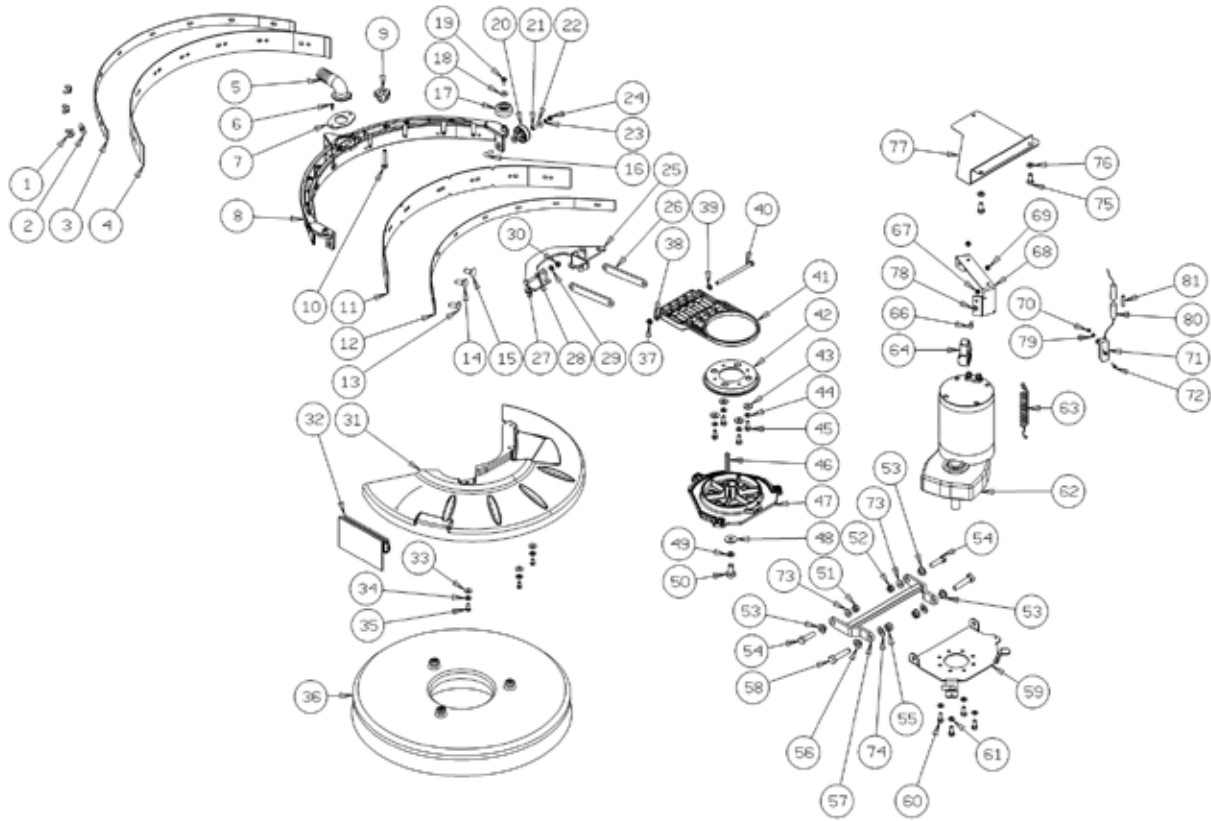
Ref.	Part N.	Description	Quantity	Validity From	Validity To
20	3MECE00554	BOARD LOGIC CT30 24V	1		
21	3MECB01325	WIRING PUSH BOTTON CT45 B	1		
22	3MECB01326	WIRING FLAT CABLE CT45	1		
23	3MPVR06046	CRANKCASE	1		
24	3VTVT00800	SCREW TC 4X12 ZN	1		
25	3VTRS00251	WASHER 4-16 INOX A2	1		
26	3LAFN09248	PIN	1		
27	3CMCV00463	CABLE SOLLEVAMENTO TERGI	1		
28	3MPVR49942	LEVER SHK PP	1		
29	3VTVT00796	SCREW TC 6X12	1		
30	3VTVT15143	SCREW TE 6X16 UNI5739	2		
31	3VTRS00245	WASHER D.6 UNI 6592 INOX	2		
32	3LAFN09171	BRACKET	1		
33	3VTDD01694	NUT M6 INOX	2		
34	3LAFN09154	BUSHING CT30	2		
35	3MEVR00686	FAIR-LEAD DIAMETER 15.5	1		
36	3RTRT00537	WHEEL	2		
37	3VTRS00512	WASHER D. 8 X24 ZC.	2		
38	3VTVT01110	SCREW TE 8X16 UNI5739	2		

FRAME



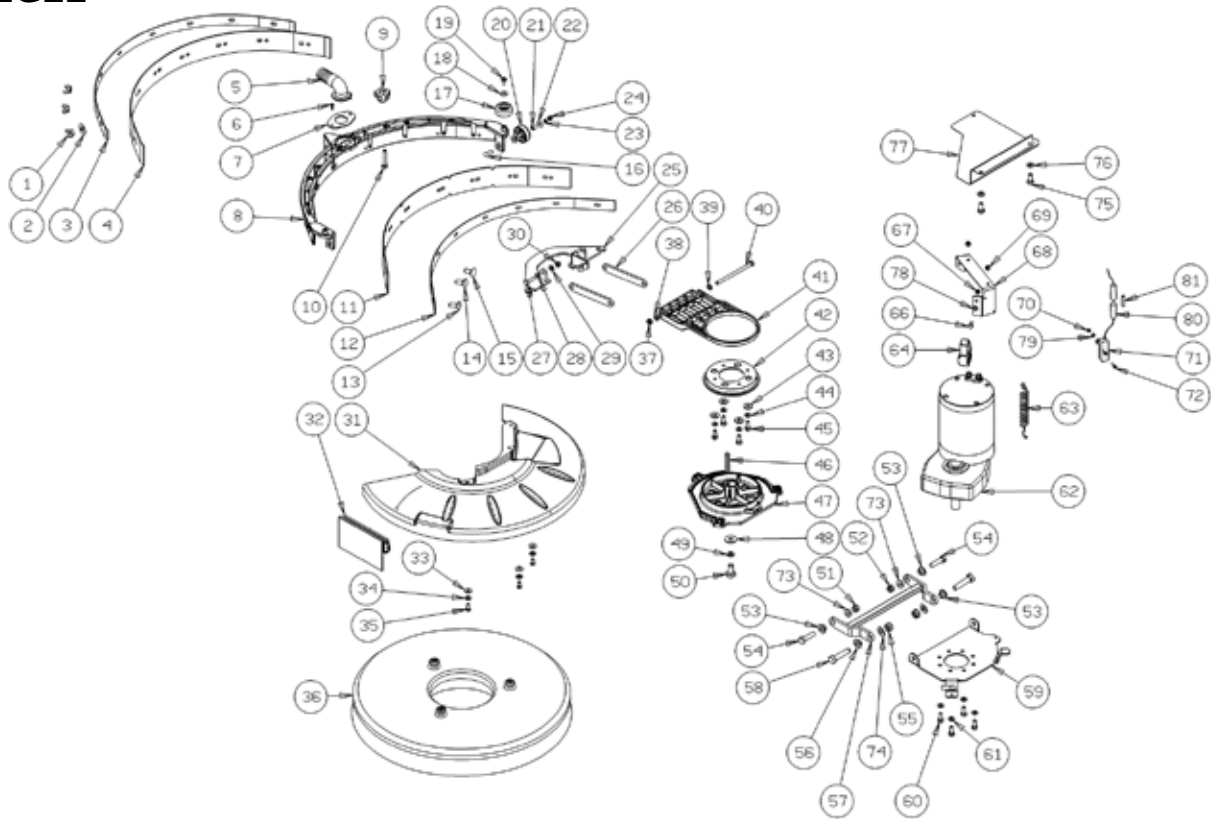
Ref.	Part N.	Description	Quantity	Validity From	Validity To
39	MPVR05967	CAP	1		
40	LAFN09172	BUSHING	1		
41	MPVR05965	WHEEL	1		
42	VTDD00502	NUT M12	1		
43	VTRS15978	WASHER D.12X24 UNI 6592 INX	1		
44	VTRS15978	WASHER D.12X24 UNI 6592 INX	1		
45	RTRT00544	WHEEL D.80MXHC	1		
46	LAFN07901	FRAME	1		

SQUEEGEE



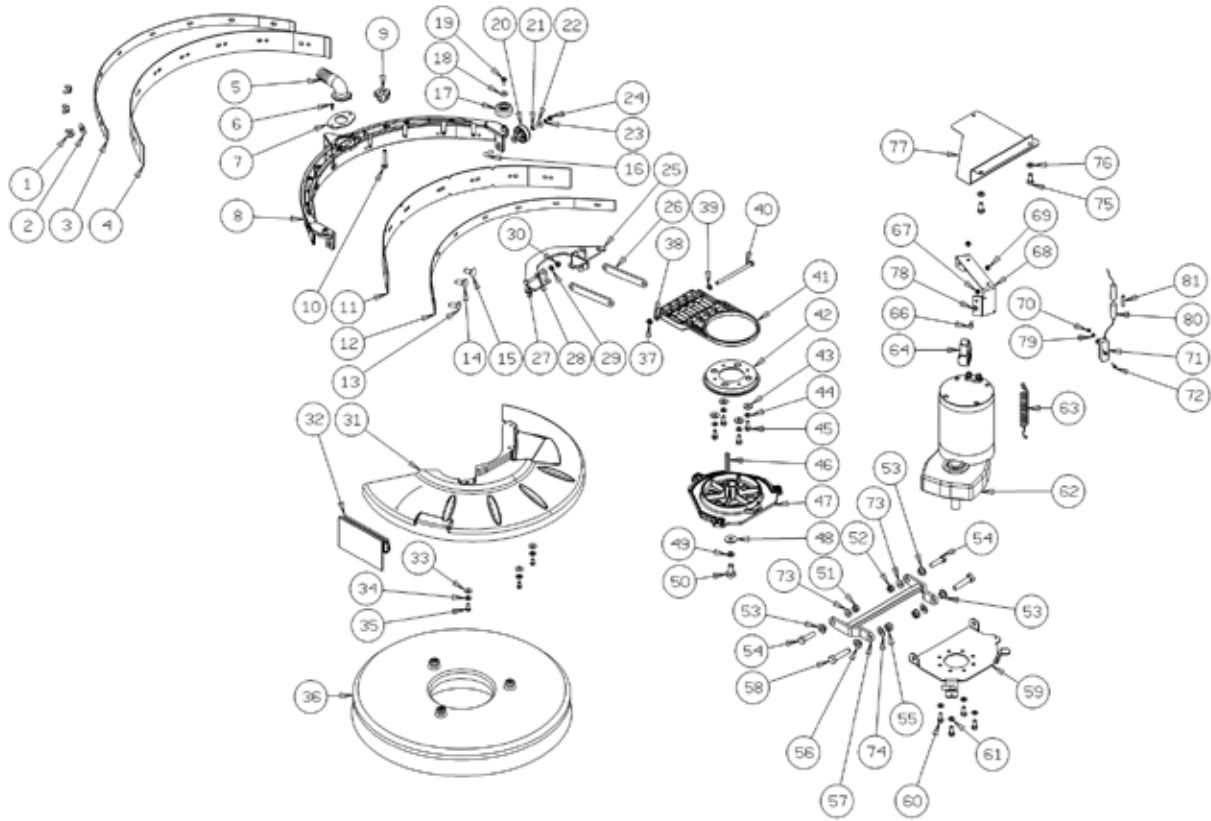
Ref.	Part N.	Description	Quantity	Validity From	Validity To
1	3VTDD00522	NUT M5	6		
2	3VTRS13750	WASHER D.5X14 INX	6		
3	3LAFN07908	BRACKET	1		
4	3MPVR05954	FLAP	1		
5	3MPVR05831	CONNECTOR	1		
6	3VTVT48694	SCREW TCB TC 5X12 UNI 9707 TZ	2		
7	3LAFN08890	FLANG	1		
8	3MPVR05914	FLOOR WIPER	1		
9	3MPVR05842	SMALL KNOB	2		
10	3VTVT15515	SCREW TE M 6X50 INOX A2	2		
11	3MPVR05953	FLAP	1		
12	3LAFN07907	BRACKET	1		
13	3VTVT01690	SCREW M5x25	2		
14	3VTVT01691	SCREW M5x35	2		
15	3VTVT01691	SCREW M5x35	2		
16	3VTVT01693	SCREW M5x20	3		
17	3MPVR05832	WHEEL	2		
18	3VTRS13750	WASHER	2		
19	3VTVT48694	SCREW TCB TC 5 X12 UNI 9707 TZ	2		

SQUEEGEE



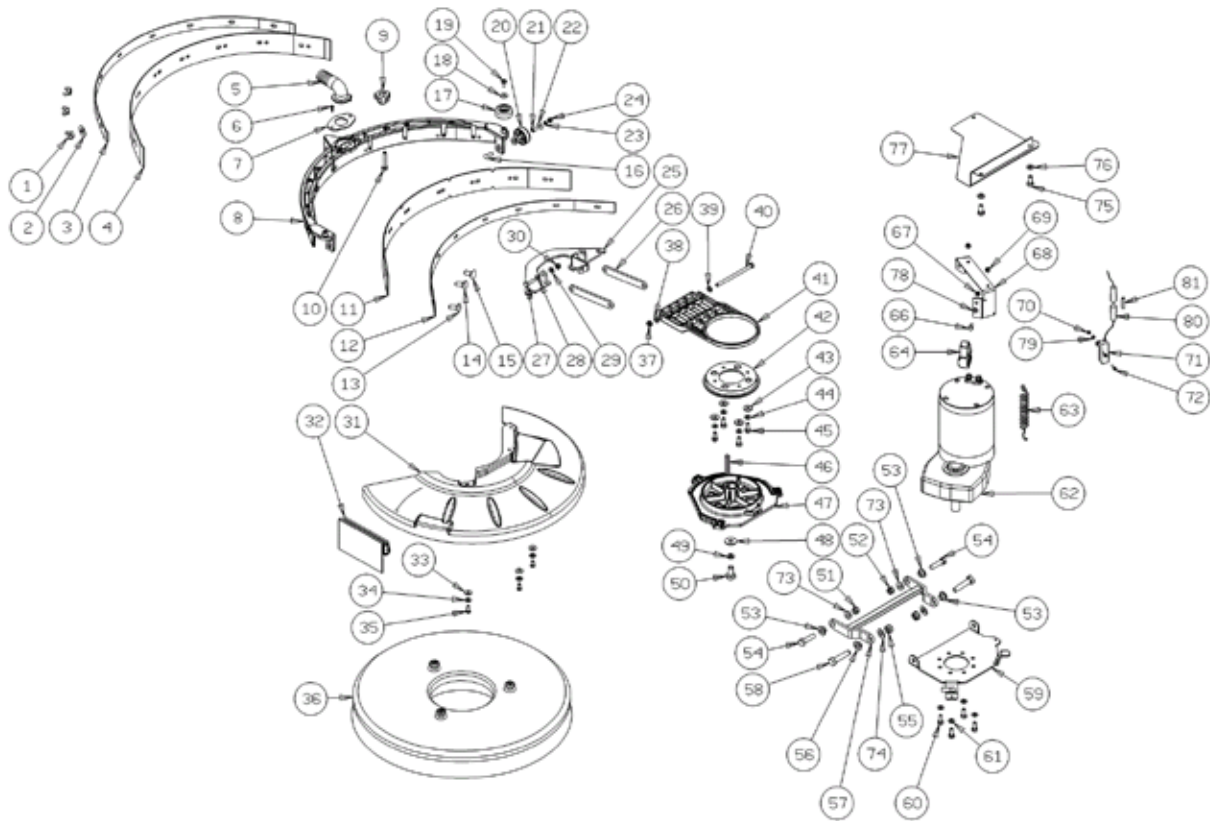
Ref.	Part N.	Description	Quantity	Validity From	Validity To
20	3MPVR05832	WHEEL	3		
21	3LAFN08913	BUSHING	3		
22	3VTRS13750	WASHER D. 5X14 INX	6		
23	3VTRS15908	WASHER D. 5 INX GRW UNI 1751	3		
24	3VTDD01693	NUT M 5 INX	3		
25	3LAFN07903	SUPPORT	1		
26	3LAFN07902	ARM	2		
27	3VTVT13939	SCREW TE 6X20 UNI5739 INX	2		
28	3VTRS00245	WASHER D.6 UNI 6592 INOX	2		
29	3VTRS00245	WASHER D.6 UNI 6592 INOX	2		
30	3VTDD01694	NUT M6 INX	2		
31	3MPVR05916	COVER	1		
32	3MPVR05966	FLAP	1		
33	3VTRS13750	WASHER D. 5X14 INX	3		
34	3VTRS15908	WASHER D. 5 INX GRW UNI 1751	3		
35	3VTVT01300	SCREW TE M5X12 INOX	3		
36	3SPPV01308	BRUSH CT30	1		04/2013
	3SPPV01188	BRUSH CT30 NEW	1	04/2013	
37	3VTDD01694	NUT M 6 INX	1		
38	3VTRS00245	WASHER D.6 UNI 6592 INOX	1		

SQUEEGEE



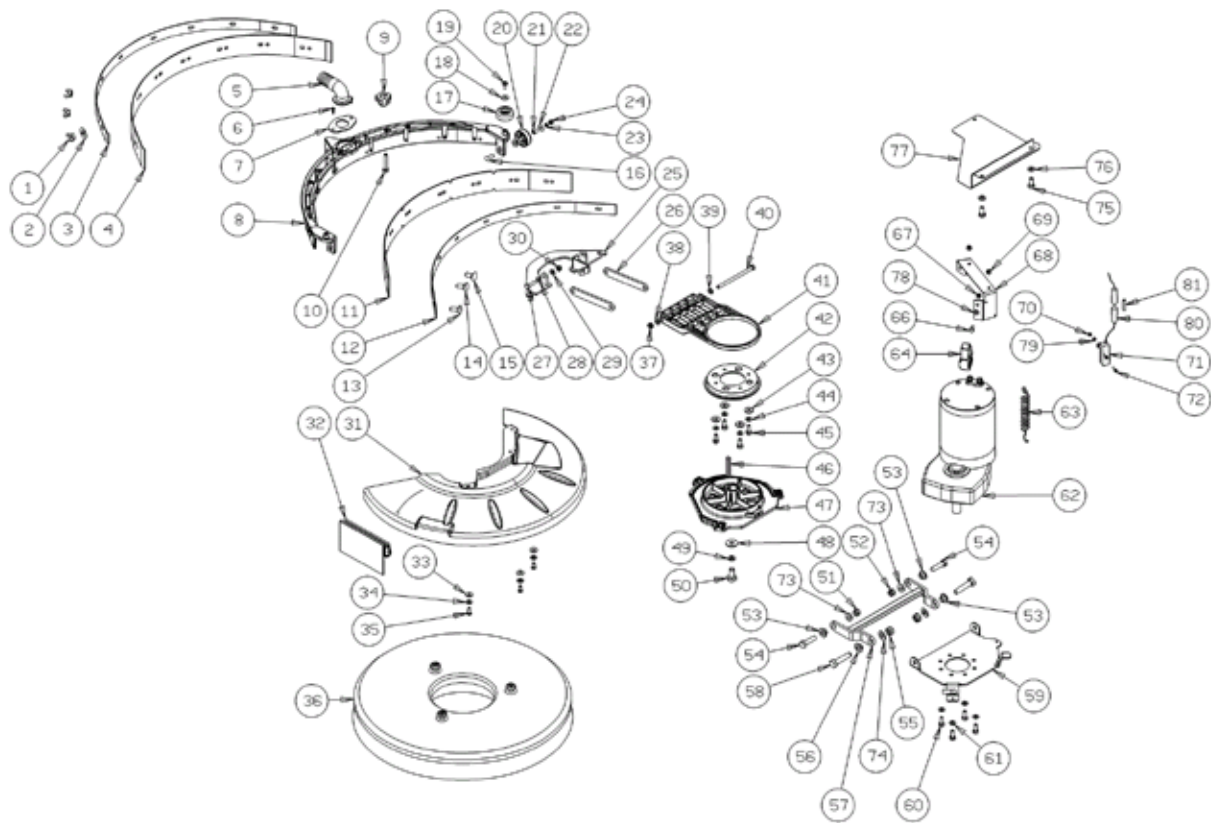
Ref.	Part N.	Description	Quantity	Validity From	Validity To
39	3VTRS00245	WASHER D.6 UNI 6592 INOX	1		
40	3VTVT01692	SCREW M6X125	1		
41	3MPVR05829	SUPPORT	1		
42	3MPVR05830	BRACKET	1		
43	3VTRS13945	WASHER D. 6X18 INX UNI 6593	4		
44	3VTRS15144	WASHER D.6 INX GRW UNI 1751	4		
45	3VTVT13939	SCREW TE 6X20 UNI5739 INX	4		
46	3VTVR16617	KEY 6X 6X30 UNI 6604	1		
47	3MFVR00212	DRIVE DISK	1		
48	3VTRS13946	WASHER D.8 X24 INX UNI 6593	1		
49	3VTRS15146	WASHER D. 8 INX GRW UNI 1751	1		
50	3VTVT13938	SCREW TE 8X20 UNI5739 INX	1		
51	3VTDD01695	NUT M 8 INX	1		
52	3VTDD01695	NUT M 8 INX	1		
53	3LAFN06391	BUSHING PARALLELOGRAMMA	3		
54	3VTVT00410	SCREW TE M8x35 UNI5739 INOX	2		
55	3VTDD01695	NUT M 8 INX	2		
56	3LAFN51068	BUSHING LEVA POSTER.	1		
57	3LAFN07910	BRACKET	1		

SQUEEGEE



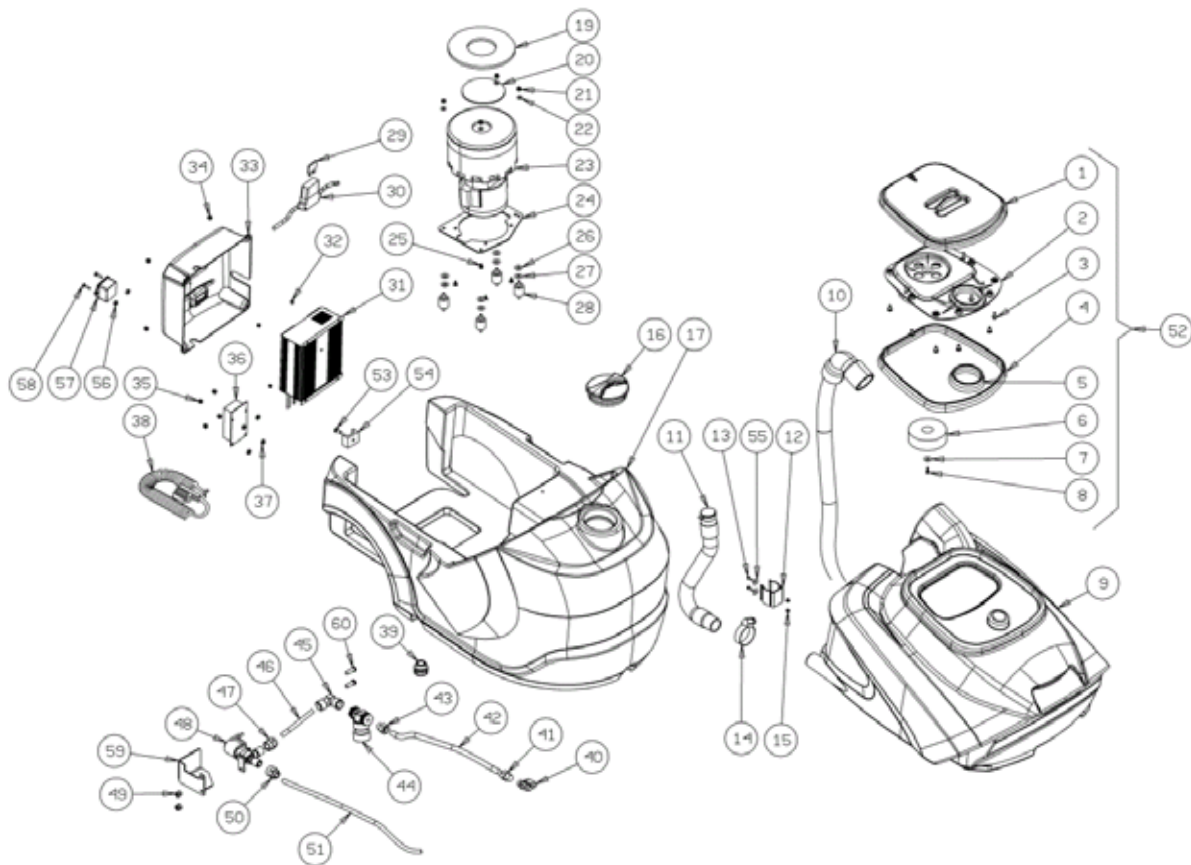
Ref.	Part N.	Description	Quantity	Validity From	Validity To
58	3VTVT15907	SCREW TE 8X25 UNI5739 INX	2		
59	3LAFN07905	SUPPORT	1		
60	3VTVT15906	SCREW TE 6X 12 A2 UNI 5739	4		
61	3VTRS15144	WASHER D. 6 INX GRW UNI 1751	4		
62	3MOCC00406 3MOCC00431	MOTOR BRUSH CT30 B MOTOR CT30 B	1 1	03/2013	03/2013
63	3MLML00065	SPRING Lo=80 De=12 Df=1.7	1		
64	3MECI00005	RELAY 24V 10/20A	1		
66	3VTVT34115	SCREW TE M 5X 10 UNI 5739	1		
67	3VTDD01693	NUT M 5 INX	1		
68	3LAFN07906	BRACKET	1		
69	3VTDD00128	SELF-LOCJ.NUT M5	2		
70	3VTDD21115	NUT M 3 INOX	2		
72	3VTVT00743	SCREW TC+ M. 3-8	2		
73	3VTRS13947	WASHER D.8 INX UNI 6592	2		
74	3VTRS13947	WASHER D.8 INX UNI 6592	4		
75	3VTVT34115	SCREW TE M 5X 10 UNI 5739	3		
76	3VTRS13750	WASHER D. 5X14 INX	3		
77	3MPVR05957	PROTECTION	1		

SQUEEGEE



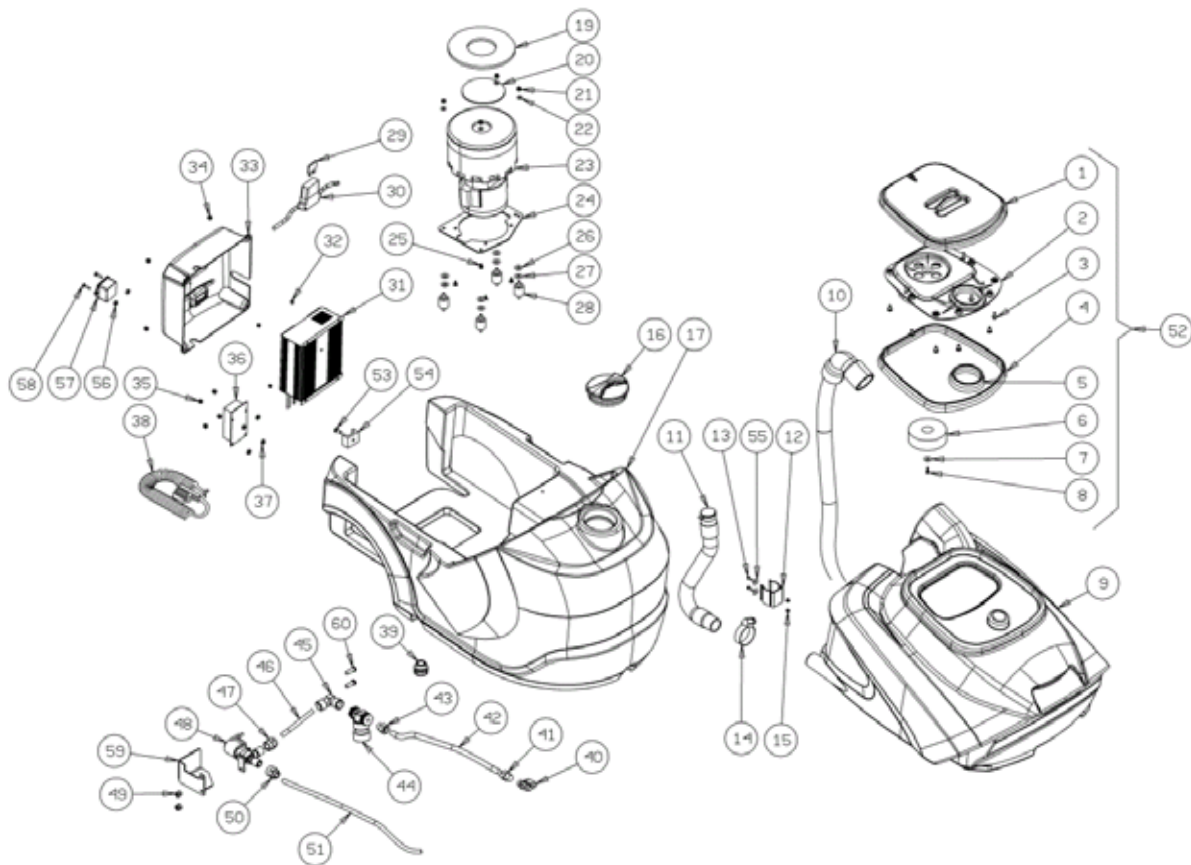
Ref.	Part N.	Description	Quantity	Validity From	Validity To
78	3VTRS13750	D. 5X14 INX5	1		
79	3VTRS27296	WASHER GROWER 3 ZNT	2		
80	3MEVR00080	FUSE HOLDER PV610 10A	1	03/2012	
81	3MEVR01747	FUSE 6x32 2,8 AT	1	03/2012	

TANK



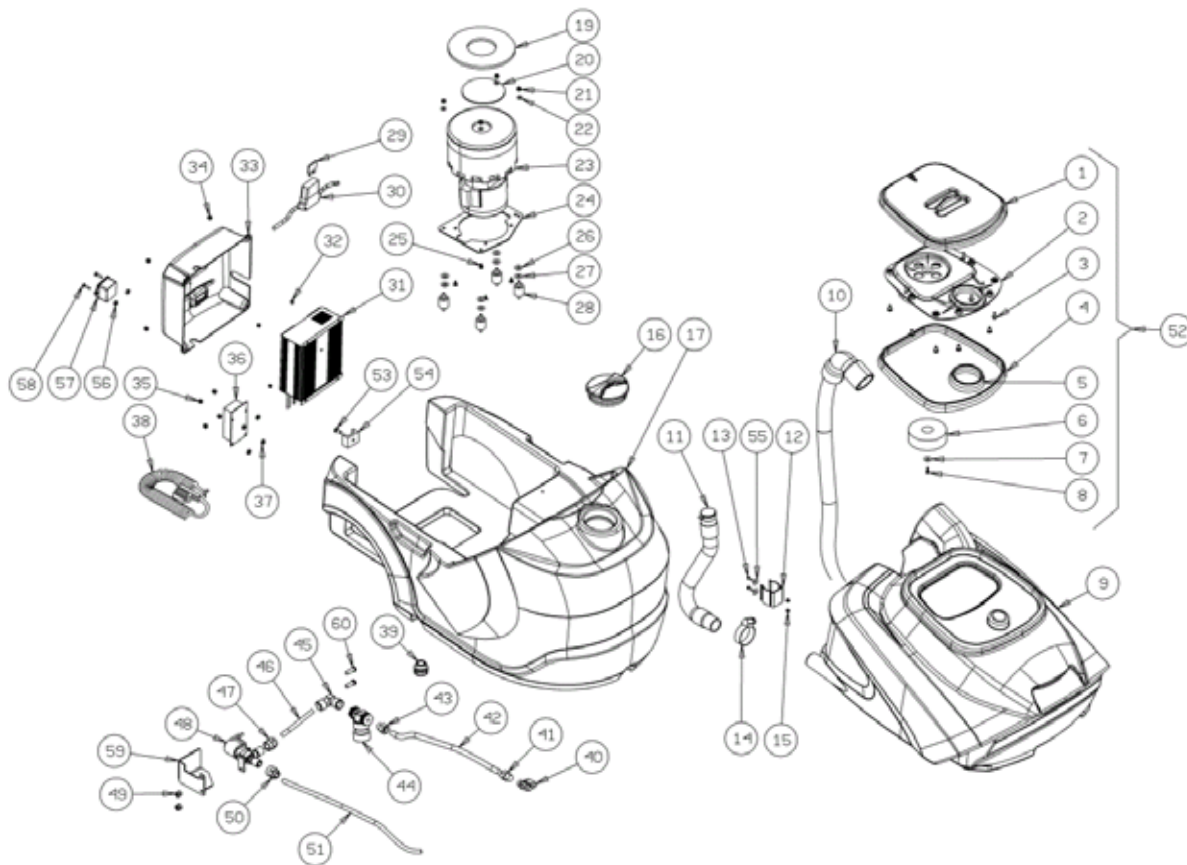
Ref.	Part N.	Description	Quantity	Validity From	Validity To
1	3MPVR05825	COVER	1		
2	3MPVR05826	COVER	1		
3	3VTVT01694	SCREW TCB TC 5 X10 UNI 9707 TZ	8		
4	3GJVR00288	GASKET N052 S1007	1		
5	3GJVR00288	GASKET N052 S1007	1		
6	3MPVR05836	FLOATER	1		
7	3VTRS00573	WASHER 30x6x3	1		
8	3VTVT48694	SCREW TCB TC 5 X12 UNI 9707 TZ	1		
9	3MPVR06017	RECOVERY TANK (BLUE)	1		
10	3TBFX00351	TUBE	1		
11	3TBFX00350	TUBE	1		
12	3MPVR46988	CLIP LAV. SHK	1		
13	3VTVT29884	SCREW TE M 4X 16 UNI 5739	2		
14	3FSVR00002	CLAMP EKOFLEX 9 23-35	1		
15	3VTDD04369	NUT M 4 TEF UNI 7473	2		
16	3MPVR05188	CAP	1		
17	3MPVR06027	TANK (BLUE)	1		
19	3GUGO00444	GASKET	1		
20	3LAFN05830	NET FERMA FILTRO INOX	1		

TANK



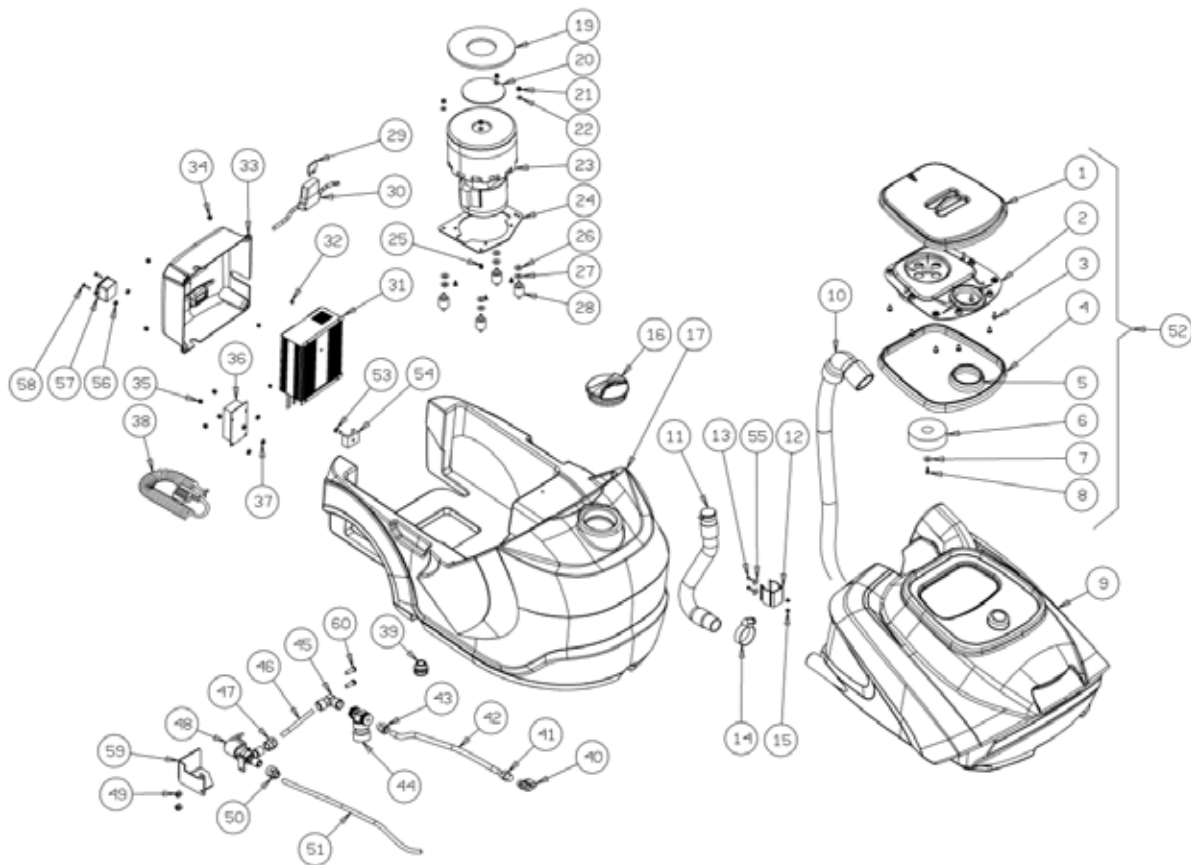
Ref.	Part N.	Description	Quantity	Validity From	Validity To
21	3VTDD07727	NUT M 5 INOX	4		
22	3VTRS15908	WASHER D. 5 INX GRW UNI 1751	4		
23	3MEVR05200 3MOCC00397	CARBON MOTORE ASP.AMET.116599-13 MOTOR CT15	2 1		
24	3LAFN08894	PLATE	1		
25	3VTVT48694	SCREW TCB TC 5 X12 UNI9707 TZ	4		
26	3VTRS13750	WASHER D.5X14 INX	4		
27	3VTRS13750	WASHER D.5X14 INX	4		
28	3ABGO00052	VIBRATION DAMP	4		
29	3MEVR02048	FUSE 40A	1		
30	3MECB01286	WIRING	1		
31	3BACA00156 3BACA00166	BATTERY CHARGER 24V 10A CT30 BATTERY CHARGER 24V 10A CT30	1 1	02/2013	02/2013
32	3VTDD00001	NUT UNI 5588 M3 ZB	4		
33	3MPVR05915	COVER	1		
34	3VTDD04368	NUT M 4 ZIN UNI 5588	4		
35	3VTDD04368	NUT M 4 ZIN UNI 5588	4		
36	3MECE00529 3MECE00578	BOARD POWER CT15 - CT30 BOARD POWER CT15 - CT30	1 1	04/2013	04/2013

TANK



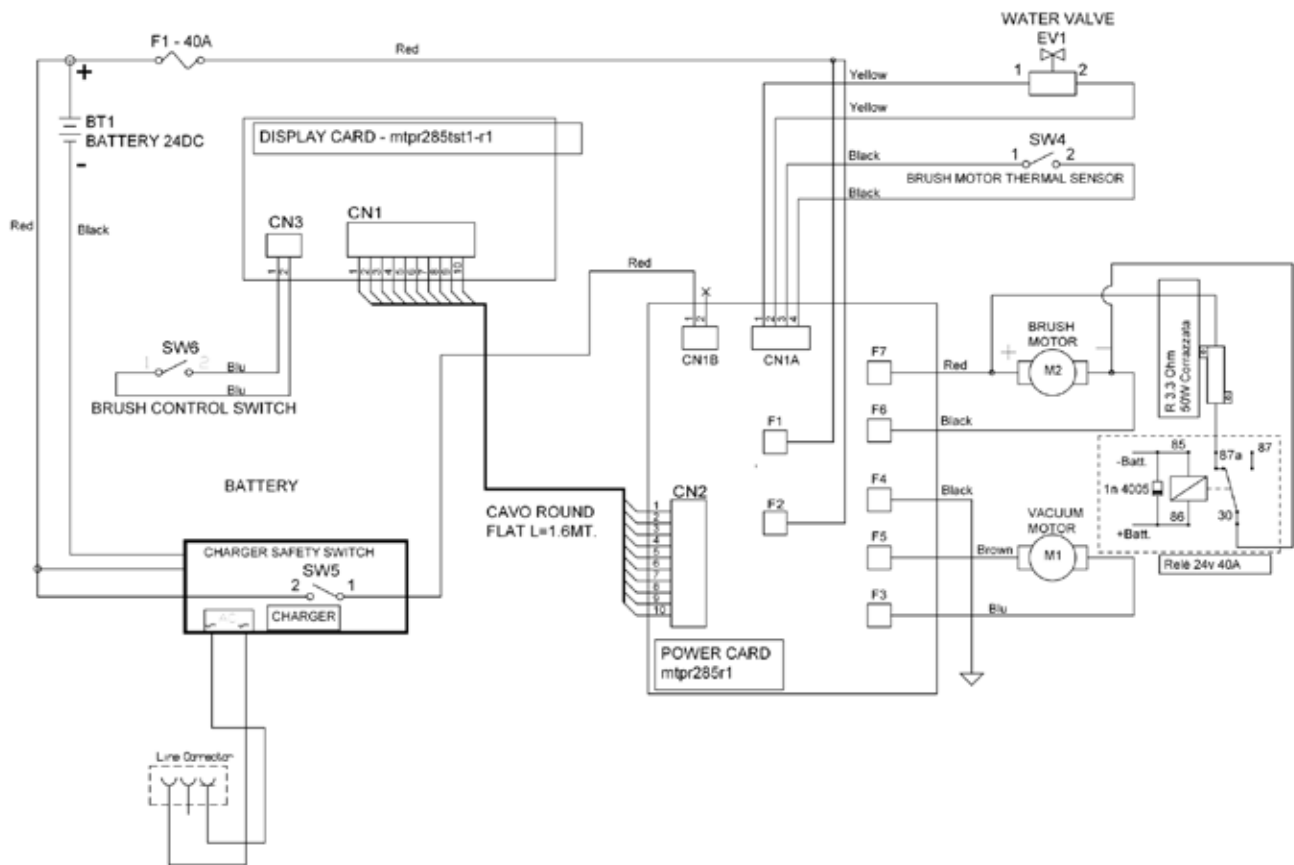
Ref.	Part N.	Description	Quantity	Validity From	Validity To
37	3VTRS00377	WASHER M4	4		
38	3MECB00923	EXTENSION	1		
39	3MPVR08003	CAP	1		
40	3RCGR00081	VALVE	1		
41	3RCVR00770	CONNECTOR 1/8	1		
42	3TBBP00481	TUBE	0.32		
43	3RCVR00771	CONNECTOR 1/4	1		
44	3FTAC00042	FILTER	1		02/2012
	3FTAC00044	FILTER	1	02/2012	
45	3RCVR00773	CONNECTOR 1/4	1		
46	3TBBP00481	TUBE	0.20		
47	3RCVR00772	CONNECTOR 1/4	1		
48	3MEEV00042	SOLENOID VALVE	1		
49	3VTVT48694	SCREW TCB TC 5 X12 UNI 9707 TZ	2		05/2013
	3VTDD00055	NUT M4 ATB A2	2	05/2013	
50	3RCVR00772	CONNECTOR 1/4	1		
51	3TBBP00481	TUBE	0.48		
52	3KTRI01989	KIT RECOVERY LID	1		
53	3VTVT00311	SCREW TE M4X12	1		

TANK



Ref.	Part N.	Description	Quantity	Validity From	Validity To
54	3FSVR00243	CLAMP 20/30	1		
55	3VTRS05904	WASHER D. 4 X16 2.083	2		
56	3VTDD00001	NUT UNI 5588 M3 ZB	2		
57	3MEVR02074	PLUG IEC	1		
58	3VTVT00035	SCREW M 3X 8 TS TC ZC	2		
59	3LAFN07948	PROTECTION ELETTRIVALVOLA	1	05/2013	
60	3VTVT15924	SCREW M 4X 16 TCB-TC UNI 7687	2	05/2013	

ELECTRIC DIAGRAM



Ref.	Part N.	Description	Quantity	Validity From	Validity To
EV1	3MEEV00042	SOLENOID VALVE	1		
F1	3MEVR02048	FUSE 40A	1		
M1	3MOCC00397	MOTOR CT15	1		
M2	3MOCC00406	MOTOR	1		

