

Parts Manual Manuel de pièces



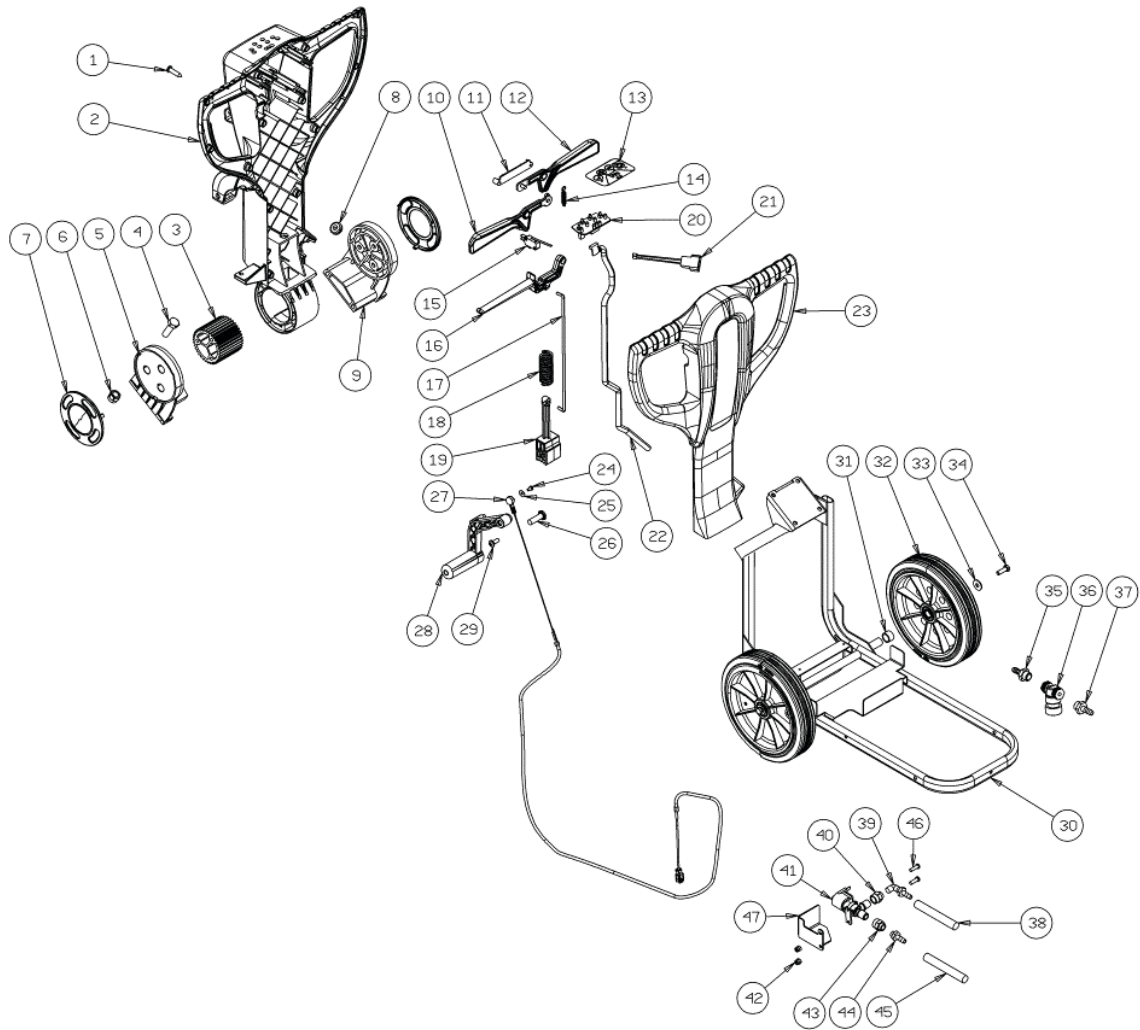
Hurricane Mini

Autoscrubber
Code: 19352

Serial Number:
Numéro de série : _____

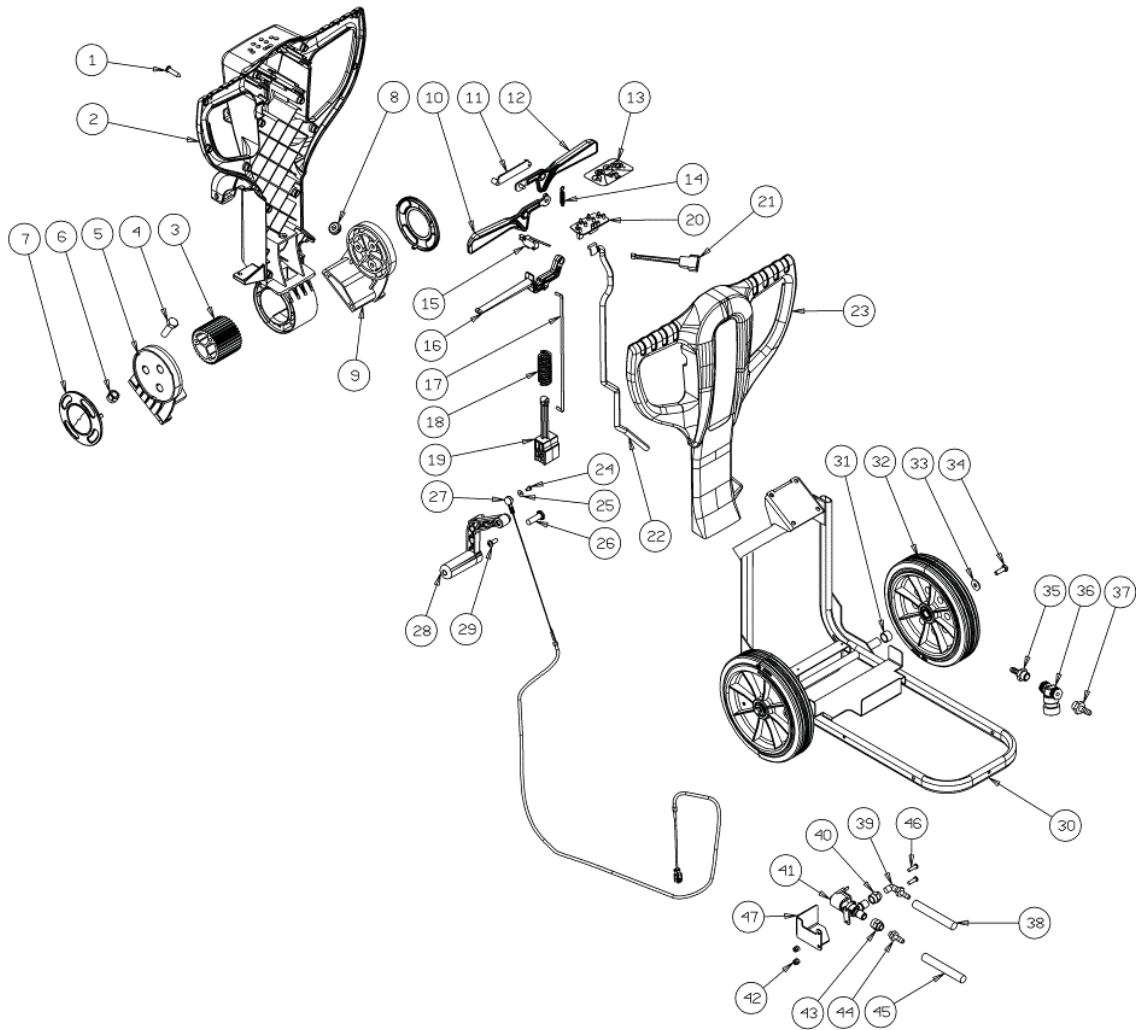
Date of Purchase:
Date d'achat : _____

Frame



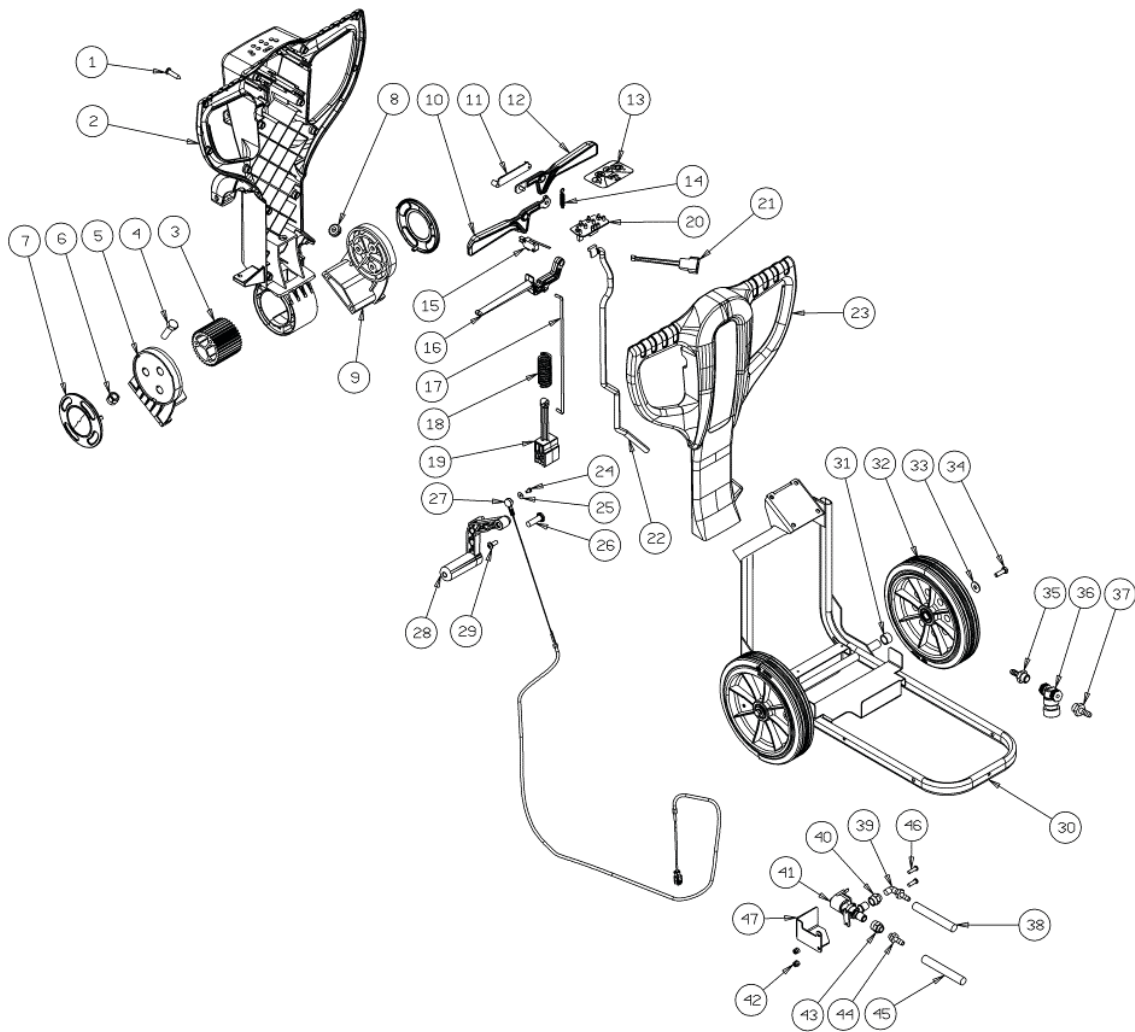
| Ref. | Part N. | Description | Quantity | Validity From | Validity To |
|------|------------|--------------------------------|----------|---------------|-------------|
| 1 | 3VTVT01371 | SCREW 4,8X19 | 14 | | |
| 2 | 3MPVR06047 | CRANKCASE | 1 | | |
| 3 | 3MPVR06056 | GEAR | 1 | | |
| 4 | 3VTVT75724 | SCREW TBEI M 8X 22 ISO 7380 ZB | 4 | | |
| 5 | 3MPVR06053 | SHELL DX | 1 | | |
| 6 | 3VTDD00124 | NUT M 8 BASSO | 4 | | |
| 7 | 3MPVR06055 | COVER | 2 | | |
| 8 | 3MPVR06057 | FAIR-LEAD | 1 | | |
| 9 | 3MPVR06054 | SHELL SX | 1 | | |
| 10 | 3MPVR06049 | LEVER DX | 1 | | |
| 11 | 3MPVR06298 | COVER | 1 | | |
| 12 | 3MPVR06048 | LEVER SX | 1 | | |
| 13 | 3ETET01842 | LABEL | 1 | 09/2015 | |
| 14 | 3MLML00336 | SPRING | 1 | | |
| 15 | 3MECI36393 | MICROSWITCH TRZ. DRW | 1 | | |
| 16 | 3MPVR06050 | LEVER ADJUSTMENT | 1 | | |
| 17 | 3LAFN09221 | LEVER RETURN | 1 | | |

Frame



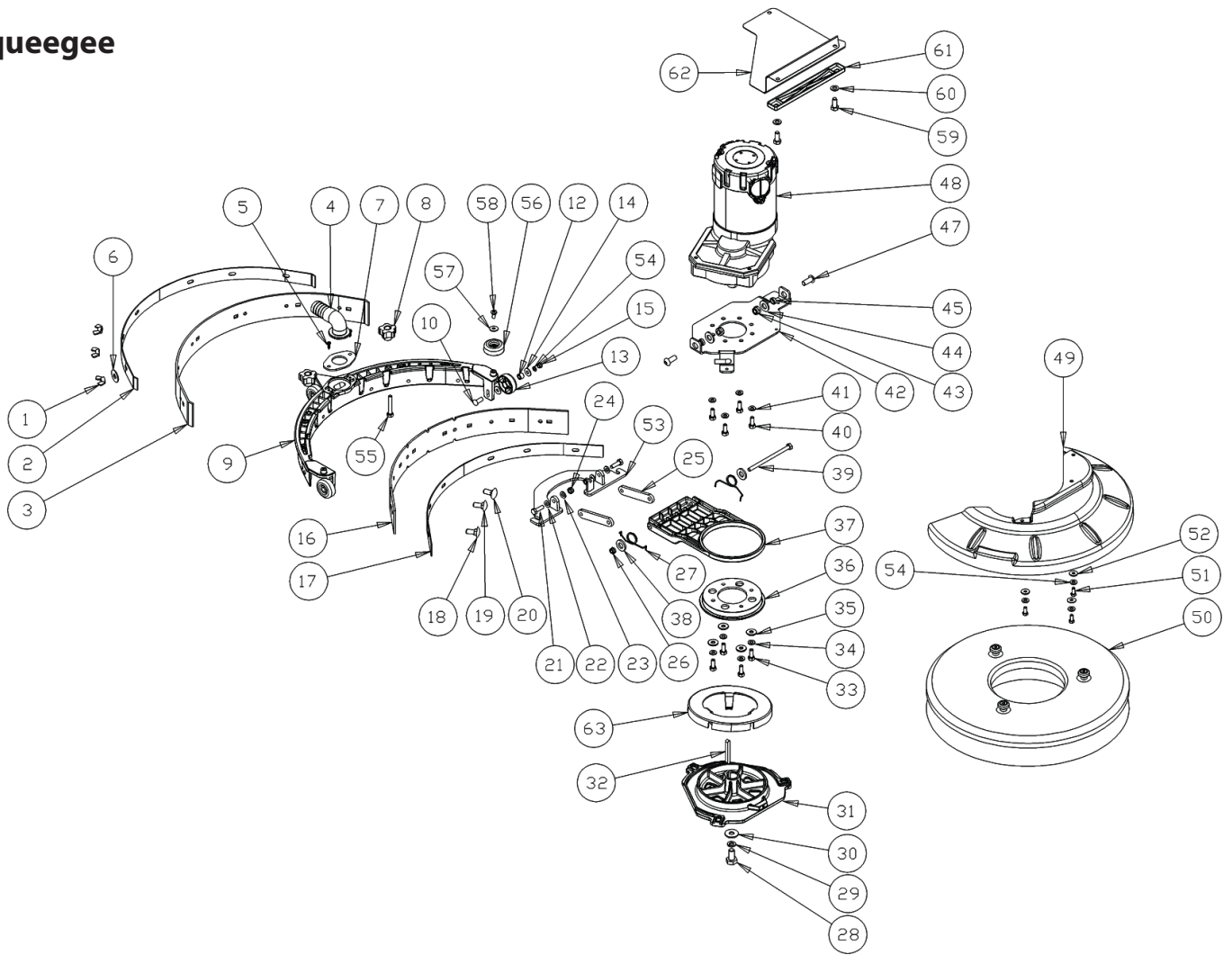
| Ref. | Part N. | Description | Quantity | Validity From | Validity To |
|------|------------|-----------------------|----------|---------------|-------------|
| 18 | 3MLML00337 | SPRING | 1 | | |
| 19 | 3MPVR06052 | HANDLE SUPPORT | 1 | | |
| 20 | 3MECE00605 | BOARD 24V | 1 | 09/2015 | |
| 21 | 3MECB01324 | WIRING PUSH BOTTON | 1 | | |
| 22 | 3MECB01396 | WIRING | 1 | 11/2015 | |
| 23 | 3MPVR06046 | CRANKCASE | 1 | | |
| 24 | 3VTVT00800 | SCREW TC 4X12 ZN | 1 | | |
| 25 | 3VTRS00251 | WASHER 4-16 INOX A2 | 1 | | |
| 26 | 3LAFN09248 | PIN | 1 | | |
| 27 | 3CMCV00463 | CABLE BLADE LIFT | 1 | | |
| 28 | 3MPVR49942 | LEVER SHK PP | 1 | | |
| 29 | 3VTVT00796 | SCREW TC 6X12 | 1 | | |
| 30 | 3LAFN08895 | FRAME | 1 | | |
| 31 | 3LAFN08915 | BUSHING | 2 | | |
| 32 | 3RTRT00537 | WHEEL | 2 | | |
| 33 | 3VTRS00512 | WASHER D. 8 X24 ZC. | 2 | | |
| 34 | 3VTVT01110 | SCREW TE 8X16 UNI5739 | 2 | | |

Frame



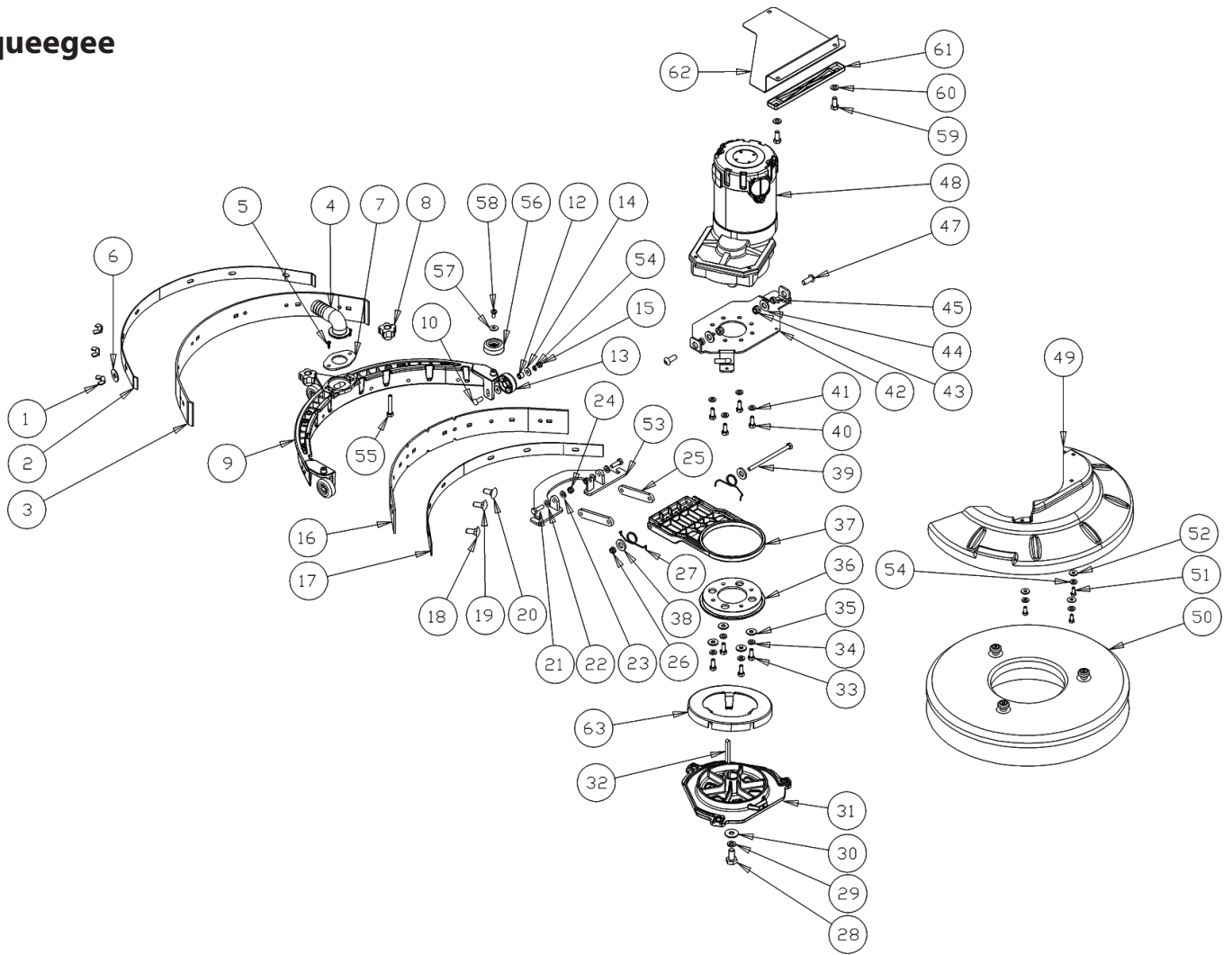
| Ref. | Part N. | Description | Quantity | Validity From | Validity To |
|------|------------|-------------------------------|----------|---------------|-------------|
| 35 | 3RCVR00786 | CONNECTOR | 1 | 05/2013 | |
| 36 | 3FTAC00044 | FILTER | 1 | | |
| 37 | 3RCVR00786 | CONNECTOR | 1 | 05/2013 | |
| 38 | 3TBBP00482 | TUBE | 1 | | |
| 39 | 3RCVR00004 | CONNECTOR 1/8" | 1 | 01/2014 | |
| 40 | 3RCDS00045 | CONNECTOR | 1 | | |
| 41 | 3PMVR01883 | SOLENOID VALVE | 1 | | |
| 42 | 3VTDD00055 | NUT M 4 ATB A2 | 2 | 07/2013 | |
| 43 | 3RCDS00045 | CONNECTOR | 1 | | |
| 44 | 3RCVR00004 | CONNECTOR PORTAGOMMA 1/8" D.7 | 1 | | |
| 45 | 3TBBP00483 | TUBE | 1 | | |
| 46 | 3VTVT15924 | SCREW M 4X 16 TCB-TC UNI 7687 | 2 | 07/2013 | |
| 47 | 3LAFN07948 | PROTECTION SOLENOID | 1 | 07/2013 | |

Squeegee



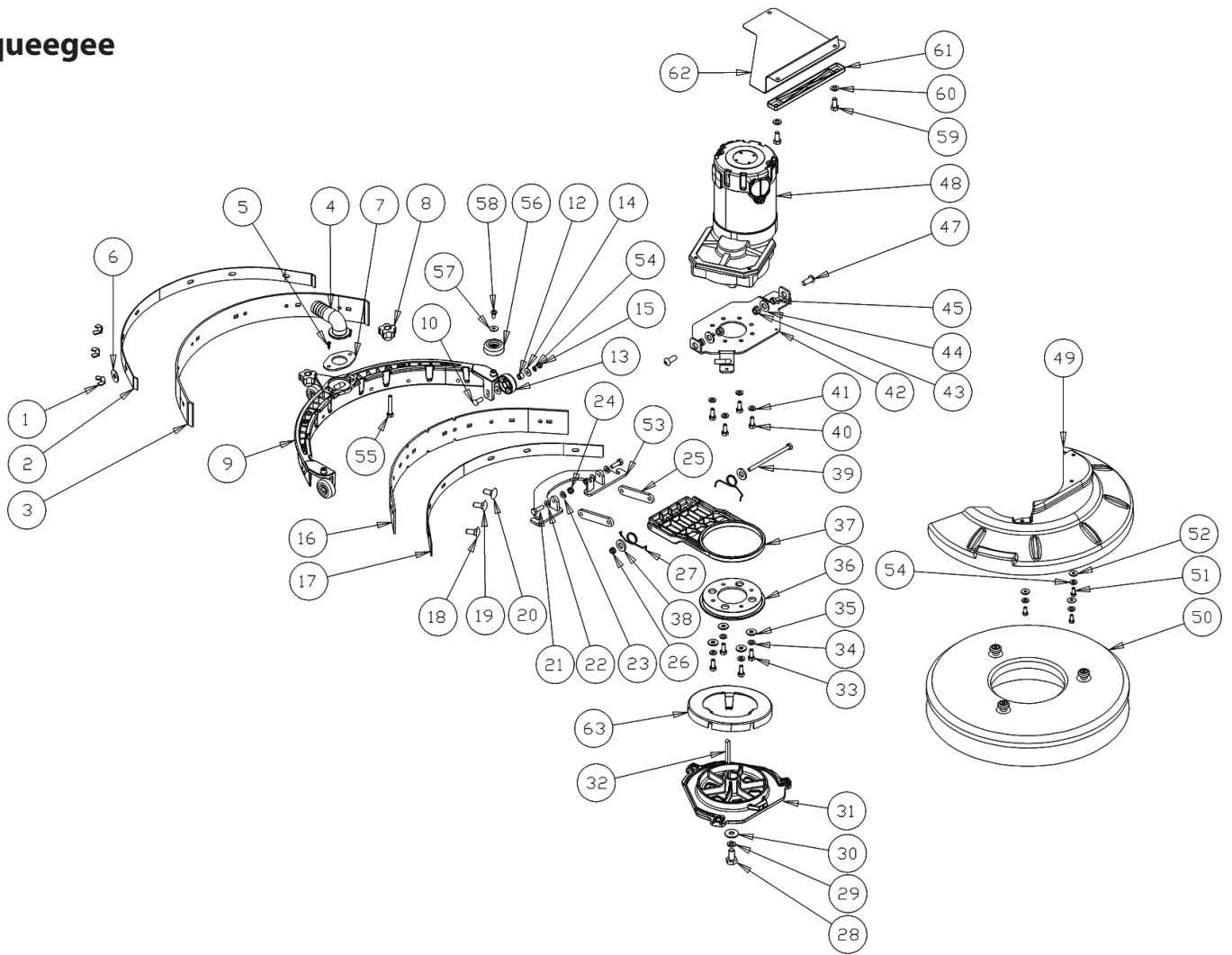
| Ref. | Part N. | Description | Quantity | Validity From | Validity To |
|------|------------|--------------------------------|----------|---------------|-------------|
| 1 | 3VTDD00522 | NUT | 6 | | |
| 2 | 3LAFN08887 | BRACKET | 1 | | |
| 3 | 3MPVR05918 | BLADE SQUEEGEE LATEX REAR | 1 | | |
| 4 | 3MPVR05831 | CONNECTOR | 1 | | |
| 5 | 3VTVT48694 | SCREW TCB TC 5 X12 UNI 9707 TZ | 2 | | |
| 6 | 3VTRS13750 | WASHER | 6 | | |
| 7 | 3LAFN08890 | FLANGE | 1 | | |
| 8 | 3MPVR05842 | SMALL KNOB | 2 | | |
| 9 | 3MPVR05835 | BODY SQUEEGEE | 1 | | |
| 10 | 3VTVT01693 | SCREW (5X20) | 3 | | |
| 12 | 3LAFN08913 | BUSHING | 3 | | |
| 13 | 3MPVR05832 | WHEEL | 3 | | |
| 14 | 3VTRS13750 | WASHER (5X14) | 6 | | |
| 15 | 3VTDD07727 | NUT | 3 | | |
| 16 | 3MPVR05917 | BLADE SQUEEGEE LATEX FRONT | 1 | | |
| 17 | 3LAFN08886 | BRACKET | 1 | | |
| 18 | 3VTVT01690 | SCREW (5X25) | 2 | | |

Squeegee



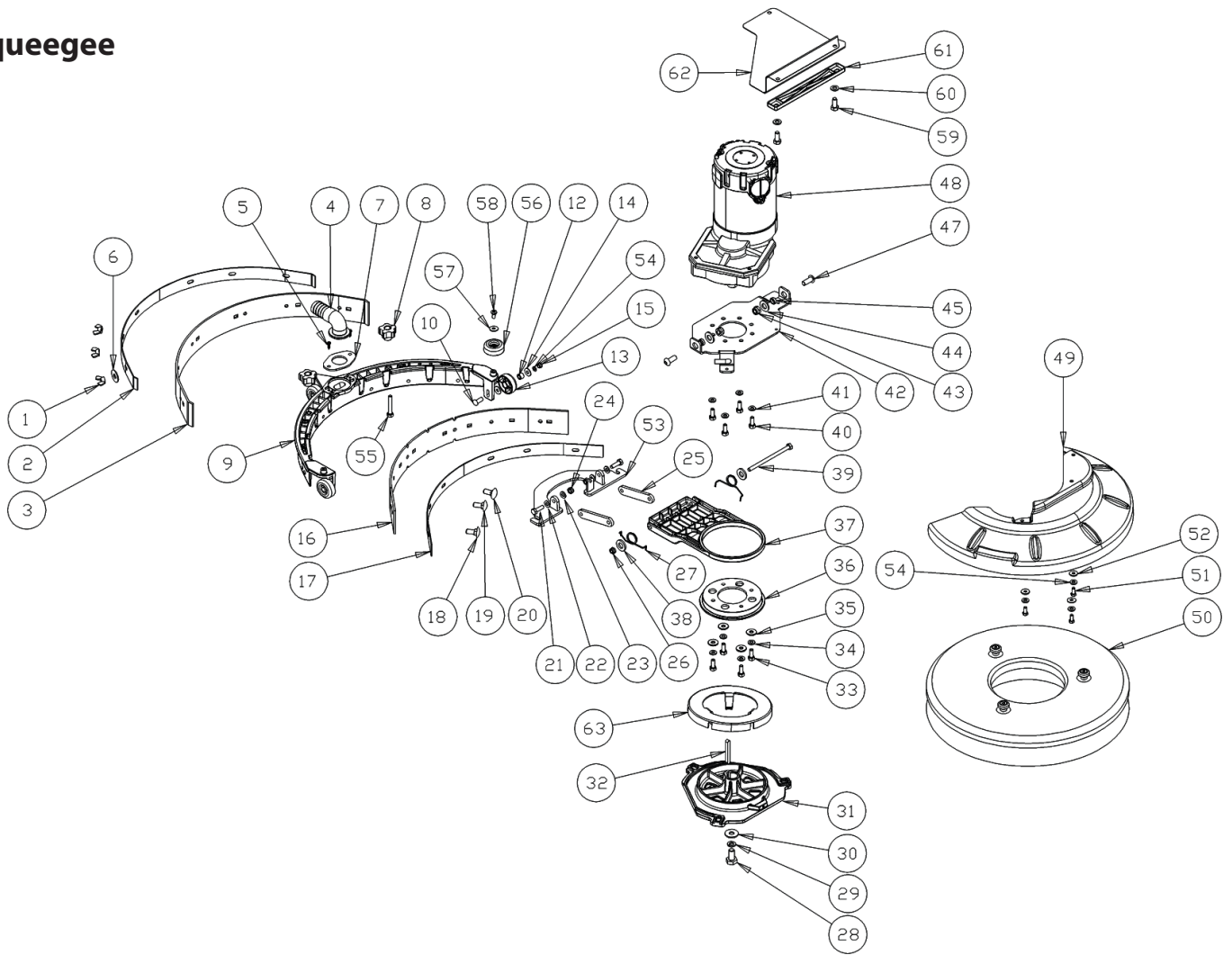
| Ref. | Part N. | Description | Quantity | Validity From | Validity To |
|------|------------|----------------|----------|---------------|-------------|
| 19 | 3VTVT01691 | SCREW (5X35) | 2 | | |
| 20 | 3VTVT01691 | SCREW (5X35) | 2 | | |
| 21 | 3VTVT13939 | SCREW (6X20) | 2 | | |
| 22 | 3VTRS00245 | WASHER (D6) | 2 | | |
| 23 | 3VTRS00245 | WASHER (D6) | 2 | | |
| 24 | 3VTDD01694 | NUT | 2 | | |
| 25 | 3LAFN08889 | ARM | 2 | | |
| 26 | 3VTDD01694 | NUT | 1 | | |
| 27 | 3MLML00343 | SPRING | 2 | 02/2015 | |
| 28 | 3VTVT13938 | SCREW (8X20) | 1 | | |
| 29 | 3VTRS15146 | WASHER (D8) | 1 | | |
| 30 | 3VTRS13946 | WASHER (D8) | 1 | | |
| 31 | 3MFVR00212 | DRIVE DISK | 1 | | |
| 32 | 3VTVR16617 | KEY | 1 | | |
| 33 | 3VTVT13939 | SCREW (6X20) | 4 | | |
| 34 | 3VTRS15144 | WASHER (D6) | 4 | | |
| 35 | 3VTRS13945 | WASHER (D6X18) | 4 | | |

Squeegee



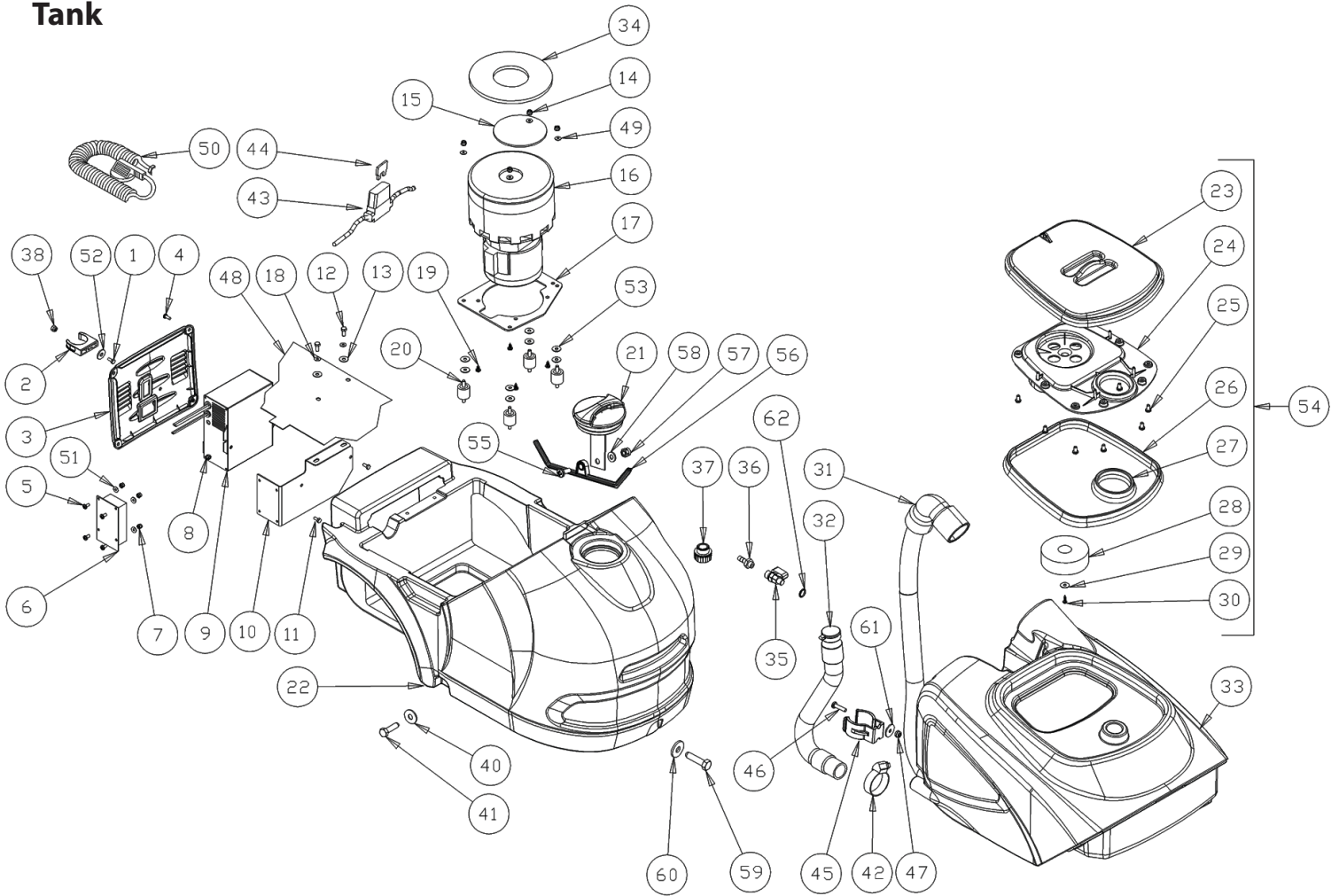
| Ref. | Part N. | Description | Quantity | Validity From | Validity To |
|------|------------|----------------|----------|---------------|-------------|
| 36 | 3MPVR07161 | BRACKET | 1 | 02/2015 | |
| 37 | 3MPVR07158 | BODY SIDE | 1 | 02/2015 | |
| 38 | 3VTRS13945 | WASHER | 1 | 02/2015 | |
| 39 | 3VTVT01692 | SCREW (6X125) | 1 | | |
| 40 | 3VTVT15906 | SCREW (6X12) | 4 | | |
| 41 | 3VTRS15144 | WASHER (D6) | 4 | | |
| 42 | 3LAFN08896 | PLATE | 1 | | |
| 43 | 3VTDD01695 | NUT | 2 | | |
| 44 | 3VTRS13947 | WASHER (D8) | 2 | | |
| 45 | 3LAFN08916 | BUSHING | 2 | | |
| 47 | 3VTVT13937 | SCREW (8X30) | 2 | | |
| 48 | 3MOCC00392 | MOTOR | 1 | | |
| 49 | 3MPVR05827 | COVER | 1 | | |
| 50 | 3SPPV01287 | BRUSH | 1 | | |
| 51 | 3VTVT01300 | SCREW (5X12) | 3 | | |
| 52 | 3VTRS13750 | WASHER (D5X14) | 3 | | |
| 53 | 3LAFN08888 | SUPPORT | 1 | | |

Squeegee



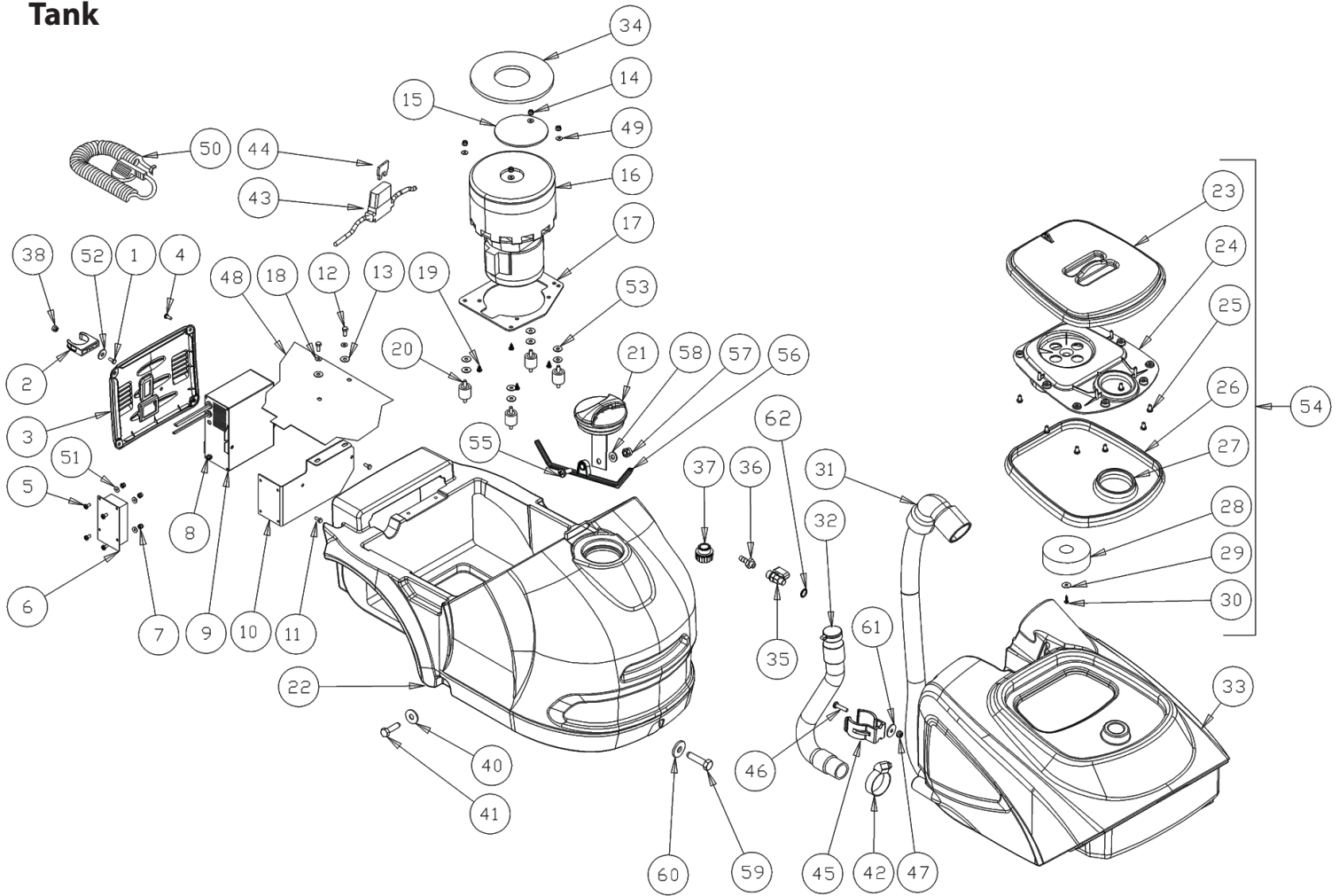
| Ref. | Part N. | Description | Quantity | Validity From | Validity To |
|------|------------|--------------------------------|----------|---------------|-------------|
| 54 | 3VTRS15908 | WASHER (D5) | 3 | | |
| 55 | 3VTVT15515 | SCREW (6X50) | 2 | | |
| 56 | 3MPVR05832 | WHEEL | 2 | | |
| 57 | 3VTRS13750 | WASHER D. 5X14 INX | 2 | | |
| 58 | 3VTVT48694 | SCREW TCB TC 5 X12 UNI 9707 TZ | 2 | | |
| 59 | 3VTVT01300 | SCREW TE M5X12 INOX | 2 | 11/2012 | |
| 60 | 3VTRS13750 | WASHER D. 5X14 INX | 2 | 11/2012 | |
| 61 | 3MPVR06259 | BRACKET | 1 | 11/2012 | |
| 62 | 3MPVR06257 | COVER | 1 | 11/2012 | |
| 63 | 3MPVR06045 | CONVEYOR | 1 | 09/2013 | |

Tank



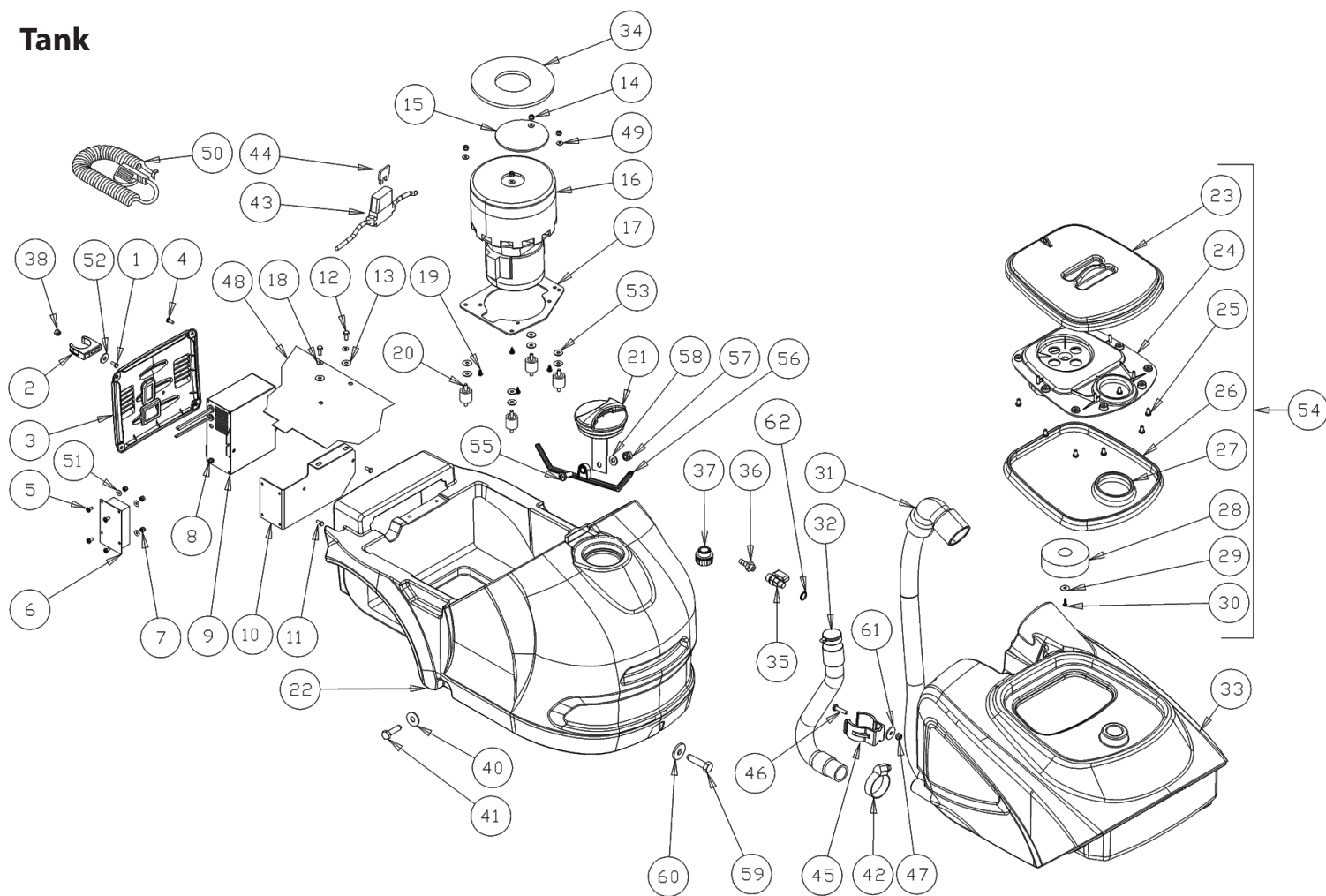
| Ref. | Part N. | Description | Quantity | Validity From | Validity To |
|------|------------|----------------------------------|----------|---------------|-------------|
| 1 | 3VTVT15924 | SCREW (4X16) | 1 | 09/2014 | |
| 2 | 3MPVR05841 | CLIP | 1 | 09/2014 | |
| 3 | 3MPVR05828 | COVER | 1 | | |
| 4 | 3VTVT75733 | SCREW TBEI M 5X 12 ISO 7380 ZB | 4 | | |
| 5 | 3VTVT09841 | SCREW TE M 4X 10 ZC. UNI 5739 | 4 | | |
| 6 | 3MECE00606 | BOARD POWER | 1 | 09/2015 | |
| 7 | 3VTDD04368 | NUT M 4 ZIN UNI 5588 | 4 | | |
| 8 | 3VTDD04369 | NUT M 4 TEF UNI 7473 | 2 | | |
| 9 | 3BACA00152 | BATTERY-CHARGERCBHD1 24V 5A | 1 | | |
| 10 | 3LAFN08893 | PLATE | 1 | | |
| 11 | 3VTVT09841 | SCREW TE M 4X 10 ZC. UNI 5739 | 2 | | |
| 12 | 3VTVT34115 | SCREW TE M 5X 10 UNI 5739 | 2 | | |
| 13 | 3VTRS13750 | WASHER D. 5X14 INX | 2 | | |
| 14 | 3VTDD07727 | NUT M 5 INOX | 4 | | |
| 15 | 3LAFN05830 | NET FERMA FILTRO INOX | 1 | | |
| 16 | 3MEVR05200 | CARBON MOTORE ASP.AMET.116599-13 | 2 | | |
| 16 | 3MOCC00397 | MOTOR VACUUM | 1 | | |

Tank



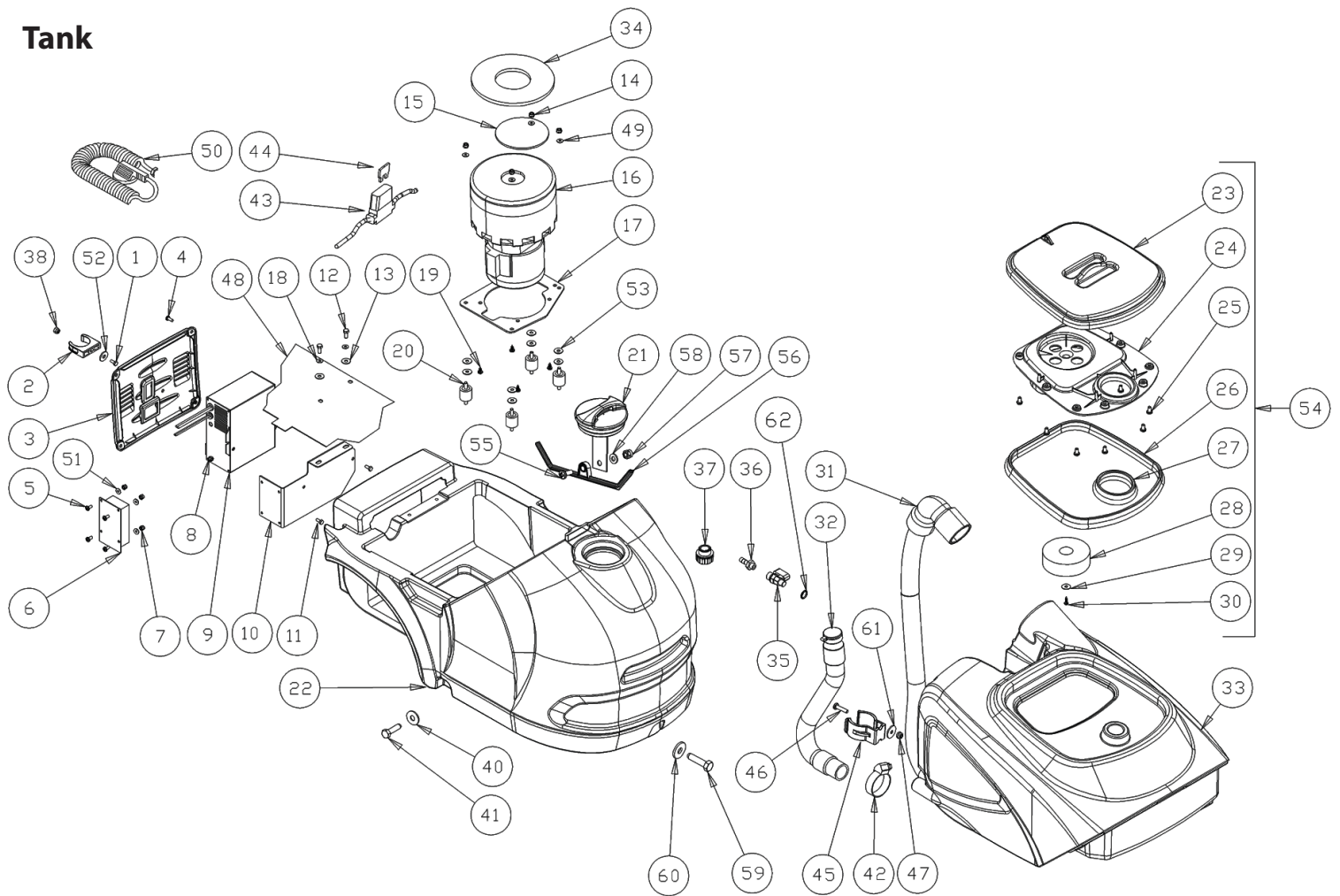
| Ref. | Part N. | Description | Quantity | Validity From | Validity To |
|------|------------|--------------------------------|----------|---------------|-------------|
| 17 | 3LAFN08894 | PLATE | 1 | | |
| 18 | 3VTRS08013 | WASHER D. 5 GRW | 2 | | |
| 19 | 3VTVT48694 | SCREW TCB TC 5 X12 UNI 9707 TZ | 4 | | |
| 20 | 3ABGO00052 | VIBRATION DAMP | 4 | | |
| 21 | 3MPVR05188 | CAP | 1 | | |
| 22 | 3MPVR05960 | TANK | 1 | | |
| 23 | 3MPVR05825 | COVER | 1 | | |
| 24 | 3MPVR05826 | COVER | 1 | | |
| 25 | 3VTVT01694 | SCREW TCB TC 5 X10 UNI 9707 TZ | 8 | | |
| 26 | 3GUVR00306 | GASKET | 1 | | |
| 27 | 3GUVR00307 | GASKET | 1 | | |
| 28 | 3MPVR05836 | FLOATER | 1 | | |
| 29 | 3VTRS00573 | WASHER 30x6x3 | 1 | | |
| 30 | 3VTVT48694 | SCREW TCB TC 5 X12 UNI 9707 TZ | 1 | | |
| 31 | 3KTRI04697 | TUBE SUCTION | 1 | | |
| 32 | 3TBFX00346 | TUBE | 1 | | |
| 33 | 3MPVR05961 | TANK | 1 | | |

Tank



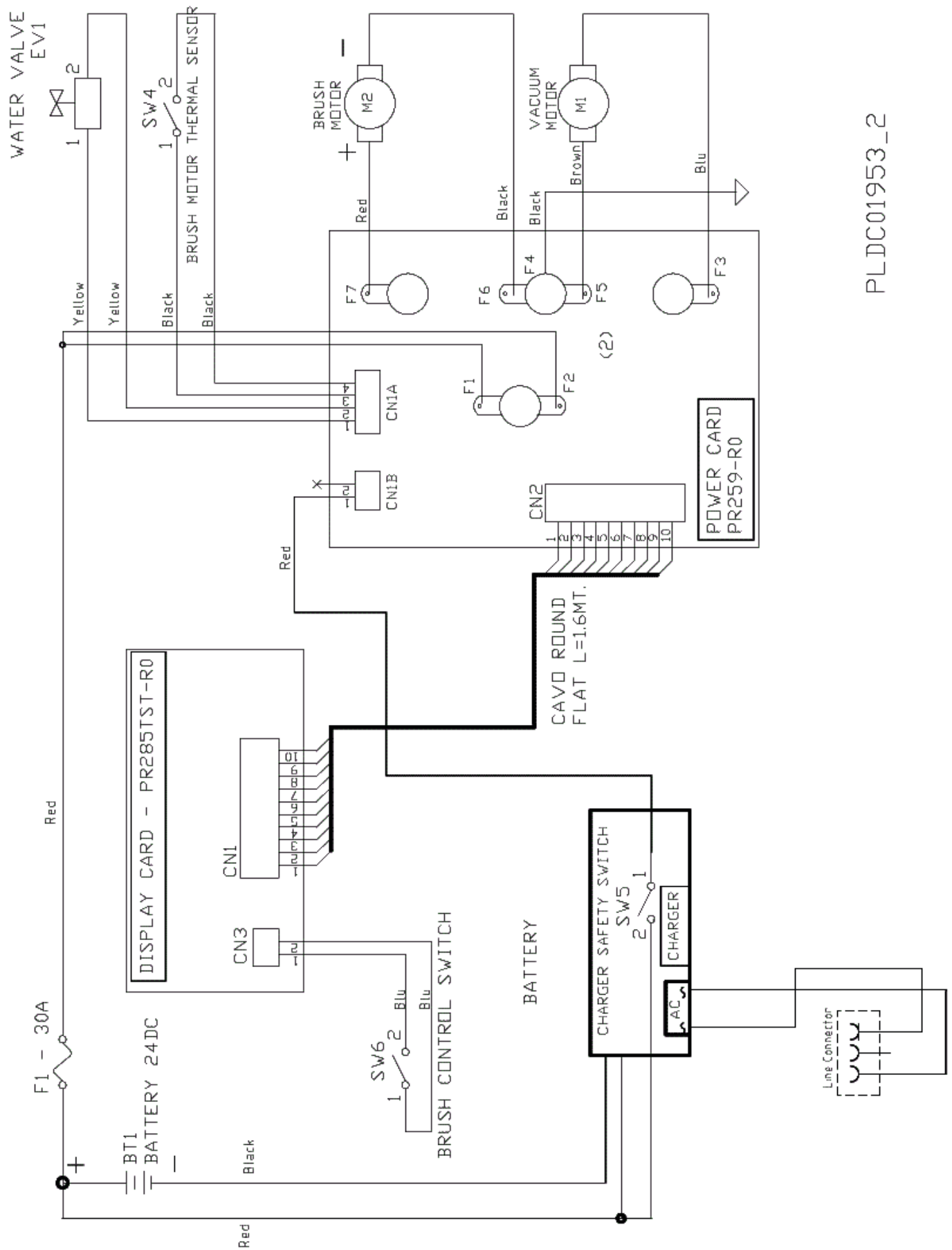
| Ref. | Part N. | Description | Quantity | Validity From | Validity To |
|------|------------|-------------------------------|----------|---------------|-------------|
| 34 | 3GUGO00444 | GASKET | 1 | | |
| 35 | 3RCGR00008 | VALVE A SFERA MF 1/8" | 1 | | |
| 36 | 3RCVR00004 | CONNECTOR PORTAGOMMA 1/8" D.7 | 1 | | |
| 37 | 3MPVR08003 | CAP | 1 | | |
| 38 | 3VTDD15925 | NUT M 4 INX | 1 | 09/2014 | |
| 40 | 3VTRS13750 | WASHER D. 5X14 INX | 3 | | |
| 41 | 3VTVT01376 | SCREW TE M 5X 35 UNI 5739 | 3 | | |
| 42 | 3FSVR00002 | CLAMP EKOFLEX 9 23-35 | 1 | | |
| 43 | 3MECB01272 | WIRING FUSE HOLDER BATTERY | 1 | | |
| 44 | 3MEVR01136 | FUSE 30A | 1 | | |
| 45 | 3MPVR06412 | SUPPORT | 1 | 11/2014 | |
| 46 | 3VTVT00863 | SCREW | 2 | 11/2014 | |
| 47 | 3VTDD04369 | NUT M 4 TEF UNI 7473 | 1 | | |
| 48 | 3MPVR05907 | PROTECTION | 1 | | |
| 49 | 3VTRS15908 | WASHER D. 5 INX GRW UNI 1751 | 4 | | |
| 50 | 3MECB00923 | EXTENSION AWG18 US PLUG | 1 | | |
| 51 | 3VTRS00377 | WASHER M4 | 4 | | |

Tank



| Ref. | Part N. | Description | Quantity | Validity From | Validity To |
|------|------------|-------------------------------|----------|---------------|-------------|
| 52 | 3VTRS00251 | WASHER 4-16 INOX A2 | 1 | 09/2014 | |
| 53 | 3VTRS13750 | WASHER D. 5X14 INX | 8 | | |
| 54 | 3KTRIO1989 | KIT RECOVERY LID | 1 | | |
| 55 | 3VTVT15965 | SCREW TCB-TC 4X12 UNI7687 INX | 1 | | |
| 56 | 3MPVR08038 | PLATE | 1 | | |
| 57 | 3VTDD00055 | NUT M 4 ATB A2 | 1 | | |
| 58 | 3VTRS00515 | WASHER D. 4 INX | 1 | | |
| 59 | 3VTVT01376 | SCREW TE M 5X35 UNI 5739 | 1 | | |
| 60 | 3VTRS13750 | WASHER D. 5X14 INX | 1 | | |
| 61 | 3VTRS05904 | WASHER D. 4X16 2.083 | 2 | 11/2014 | |
| 62 | 3GUGO03500 | O-RING D. 6.75X1.78 | 1 | 04/2015 | |

Electric Diagram



PLDC01953_2

| Ref. | Part N. | Description | Quantity | Validity From | Validity To |
|------|------------|----------------|----------|---------------|-------------|
| EV1 | 3MEEV00037 | SOLENOID VALVE | 1 | | |
| M1 | 3MOCC00397 | MOTOR MINI | 1 | | |
| M2 | MOCC00392 | MOTOR 24V | 1 | | |

