

Parts Manual

Manuel de pièces

2019-12

Gladiator 464



Sweeper / Balyeuse

Code: 19677

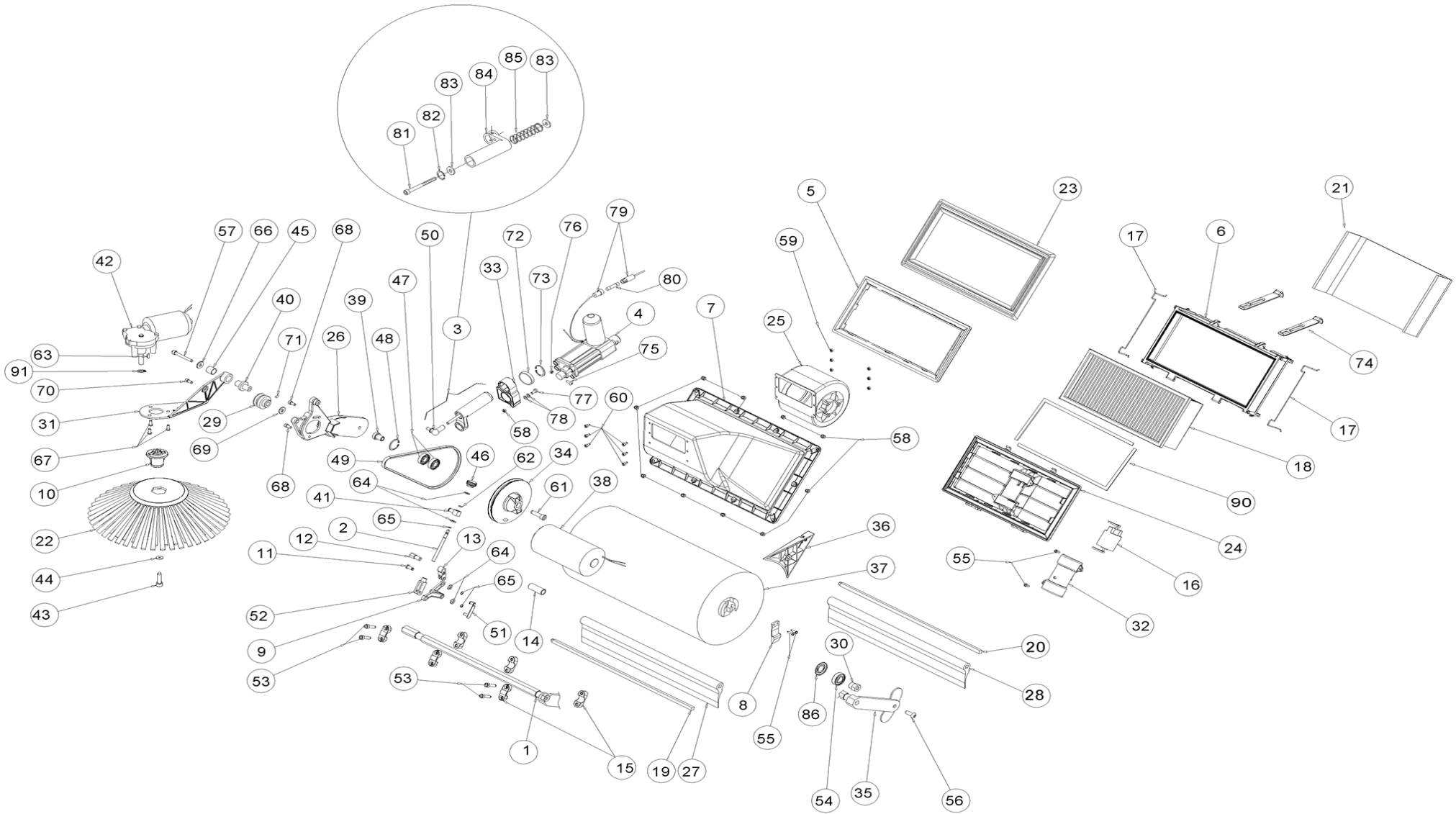
Serial Number / Numéro de série :

Date of Purchase / Date d'achat :

Distributor Name / Nom du distributeur :

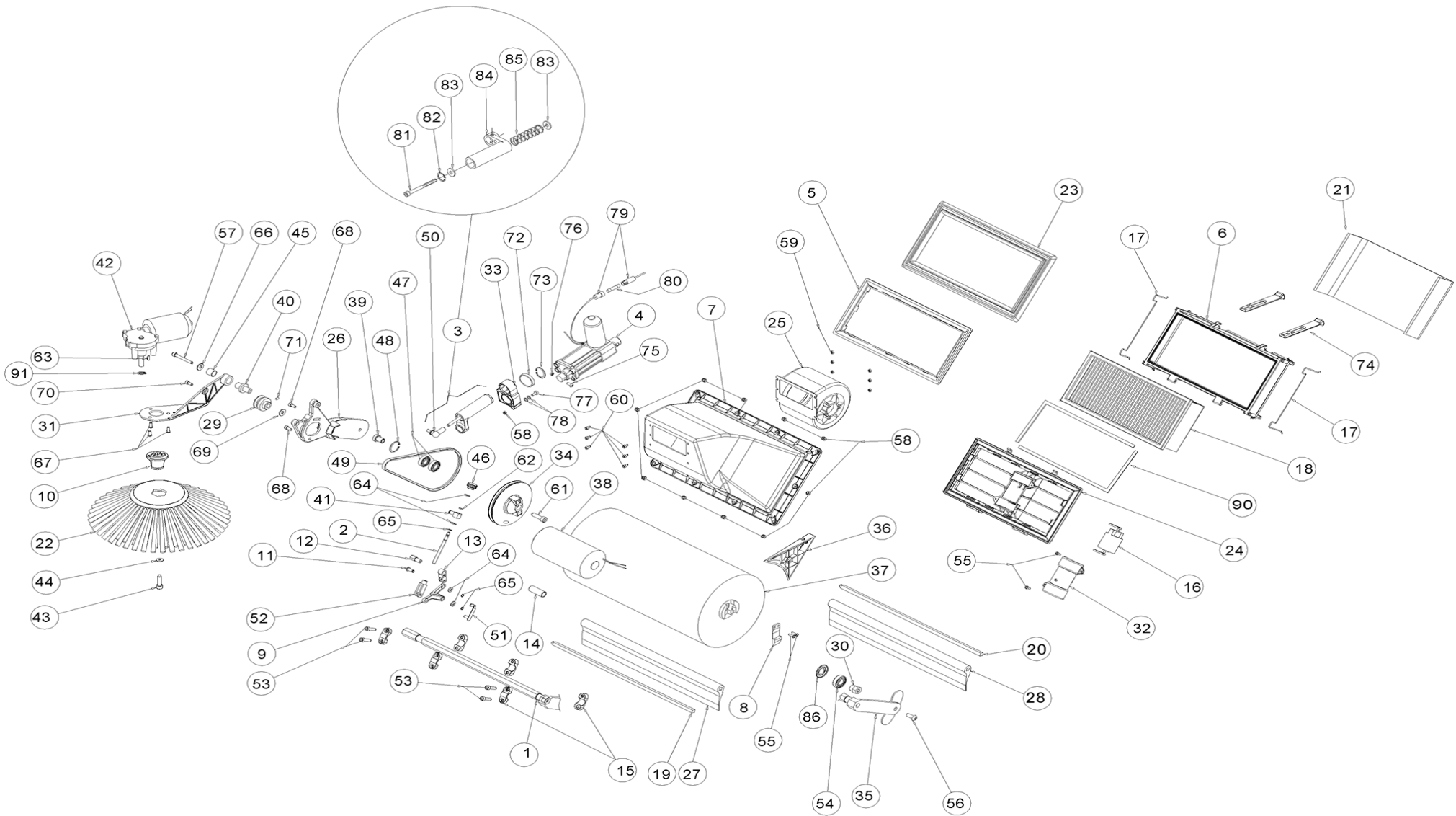


BRUSHES



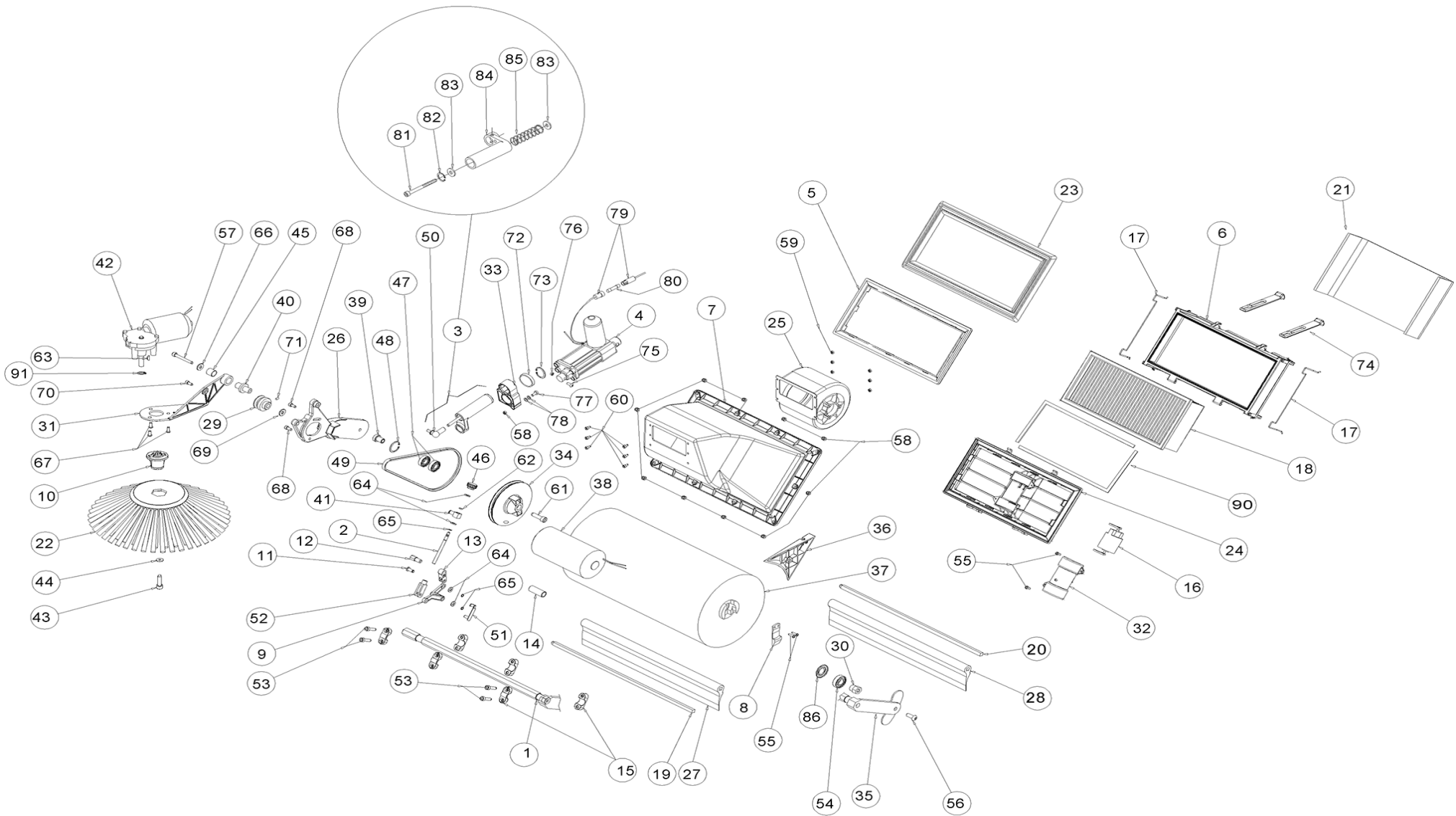
Ref.	Part N.	Alt. Part N.	Description	Quantity	Validity From	Validity To
1	3ALTR00041		SHAFT DRIVE MAIN BRUSH	1		
2	3ALTR00042		ROD ADJUSTER	1		
3	3PMVR00438		GUIDE ASSEMBLY	1		
4	3MOCC00034		ACTUATOR CENTRAL BRUSH 460-464	1		
5	3MPVR00918		PLATE FRAME FILTER	1		
6	3MPVR00919		FRAME, FILTER	1		
7	3MPVR00920		CASING FAN	1		
8	3PMVR00333		BRUSH HOOKING LEVER 464	1		
9	3MPVR00934		ARM, DRIVING, SIDE BRUSH	1		
10	3MPVR01707		HUB SIDE BRUSH DRIVE	1		
11	3MPVR00932		PIN	1		
12	3LAFN01227		PIN SIDE BRUSH ARM CONTROL	1		
13	3MPVR00916		CONNECTING ROD SIDE BRUSH	1		
14	3LAFN01221		SPACER FRONT FLAP	1		
15	3MPVR00807		SUPPORT SHAFT MAIN BRUSH	2		
16	3MOCC00035		MOTOR FILTER SHAKER 464	1		
17	3MLML00040		RETAINER PREFILTER SPRING 464	2		
18	3FTDP00013		FILTER PAPER 464	1		
19	3LAFN01232		PIN HOLDER, FRONT FLAP	1		
20	3LAFN01233		PIN HOLDER, REAR FLAP	1		
21	3FTDP00014		FOAM PREFILTER FOR FTDP00013	1		
22	3SPPV00303		BRUSH SIDE 464	1		
23	3MPVR00931		GASKET FILTER	1		
24	3MPVR00933		FRAME SHAKER	1		
25	3MOCC00036		BLOWER FAN MOTOR 464	1		
26	3MFVR00025		ARM MAIN BRUSH	1		
27	3MPVR00935		FLAP FRONT	1		
28	3MPVR00936		FLAP REAR	1		
29	3MTPL00038		PULLEY CENTRAL BRUSH MOTOR	1		

BRUSHES



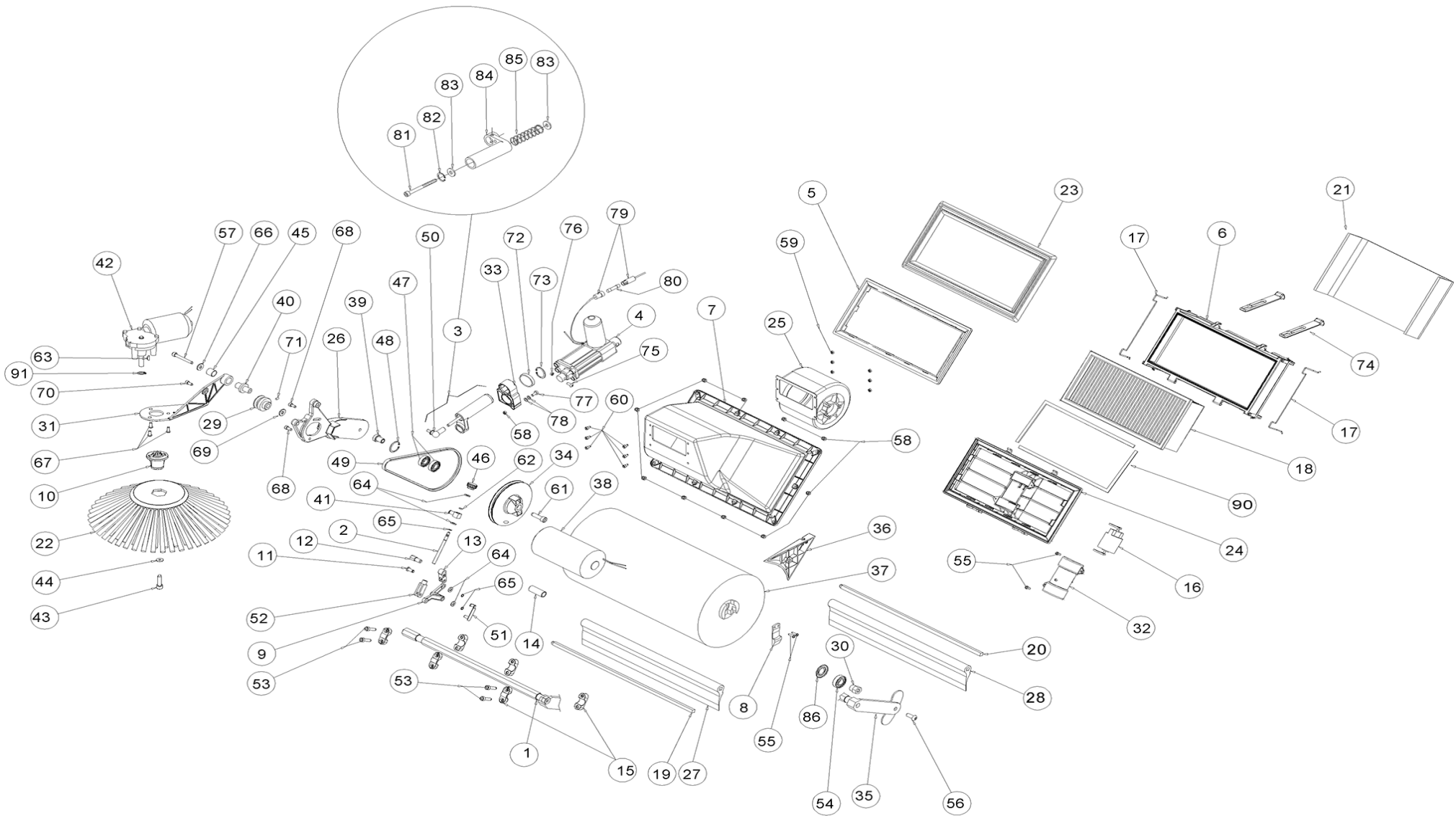
Ref.	Part N.	Alt. Part N.	Description	Quantity	Validity From	Validity To
30	3LAFN01230		PIN CENTRAL BRUSH LH SIDE	1		
31	3LAFN15263		ARM SIDE BRUSH	1		
32	3MPVR00925		COVER MOTOR SHAKER	1		
33	3MPVR00943		SPRING GUIDE	1		
34	3MTPL00039		PULLEY CENTRAL BRUSH CONTROL	1		
35	3MFVR00026		ARM CENTRAL BRUSH LEFT SIDE	1		
36	3MPVR00940		CONVEYOR	1		
37	3PMVR01121		BRUSH MAIN 464	1		
38	3MEVR01660		CARBON BRUSHES MOTOR FOR 3MOCC00033	2		
38	3MOCC00033		MOTOR CENTRAL BRUSH 464	1		
39	3LAFN01229		PIN CENTRAL BRUSH PULLY	1		
40	3LAFN01228		PIN SIDE BRUSH ROTATION ARM	1		
41	3LAFN01220		JOINT, SIDE BRUSH ADJUSTMENT	1		
42	3MEVR86071		CARBON BRUSH FOR MOTOR 3MOCC00037	2		
42	3MOCC00037		MOTOR SIDE BRUSH 464	1		
42	3MTIG00002		GEAR MOTOR	1		
43	3VTVT29884		SCREW HH UNI 5739 4X16 ZC	1		
44	3VTRS05904		WASHER UNI 6592 4X16 ZC	1		
45	3LAFN06774		BUSHING GLYCODUR PG 14-16-15F	1		
46	3VTVR00303		KNOB V1/30/BFC-M5	1		
47	3CUVR46942		BALL BEARING 6001-2RS1 -SKF	2		
48	3VTAE00010		CIRCLIP DIN 472 D.28	1		
49	3MTCG00019		BELT BRUSH W/ INSTRUCTIONS	1		
50	3VTVR45280		TOGGLE-JOINT M 6	1		
51	3CMCV00009		CLIP ARM UNI 1676	1		
52	3CMCV00006		FORK UNI 1676 M6X24	1		
53	3VTVT06237		SCREW SHCS UNI 5931 6X20 ZC	4		
54	3CUVR00164		BEARING 6002RS -SKF-	1		
55	3VTVT00099		SCREW STS UNI 6954 3,9X13	2		

BRUSHES



Ref.	Part N.	Alt. Part N.	Description	Quantity	Validity From	Validity To
56	3TVT87271		SCREW SHCS ISO 7380 8X16 ZC	1		
57	3TVT00063		SCREW SHCS UNI 5931 6X50 ZC	1		
58	3VTDD00017		NUT NYL DIN 985 M5	12		
59	3VTDD00009		NUT NYL DIN 985 M4	6		
60	3TVT00003		SCREW HH M4X12 ZC UNI 5739	6		
61	3TVT01354		SCREW SHCS UNI 5931 8X35 ZC	1		
62	3GUGO00288		GASKET ORING	1		
63	3TVR75730		KEY UNI 6606 3X3,7	1		
64	3VTRS00011		WASHER UNI 6592 6X12 ZC	4		
65	3VTAE48552		CIRCLIP DIN 471 D.6	3		
66	3VTRS63242		WASHER UNI 6593 6X24X2 ZC	1		
67	3TVT62920		SCREW HH 6X16 ZC	3		
68	3TVT00005		SCREW HH 5X12 ZC	1		
69	3VTRS00029		SPACER 15X22X0,2	2		
70	3TVT00005		SCREW HH 5X12 ZC	1		
71	3TVT00989		GRUB SCREW 4X8	1		
72	3LAFN06775		SPACER	1		
73	3VTAE09655		CIRCLIP DIN 471 D.25	1		
74	3MPVR04648		LATCH RUBBER FILTER	2		
75	3TVT00245		SCREW TE M6X30 UNI 5739	1		
76	3VTDD00010		NUT NYL DIN 985 M6	1		
77	3TVT00847		SCREW BHSCS M5X25 SS	2		
78	3VTRS00010		WASHER UNI 6592 5X10 ZC	2		
79	3MECB00925		CABLE ACTUATOR CONNECTION W/FUSE HOLDER	1		
80	3MEVR00150		FUSE 2.5 A 250V 5X20	1		
81	3TVT37013		SCREW HH M6X100 UNI 5737	1		
82	3VTAE00009		CIRCLIP DIN 472 D.20	1		
83	3LAFN00124		BUSHING	2		
84	3LAFN01238		PLASTIC GUIDE ONLY, ACTUATOR	1		

BRUSHES

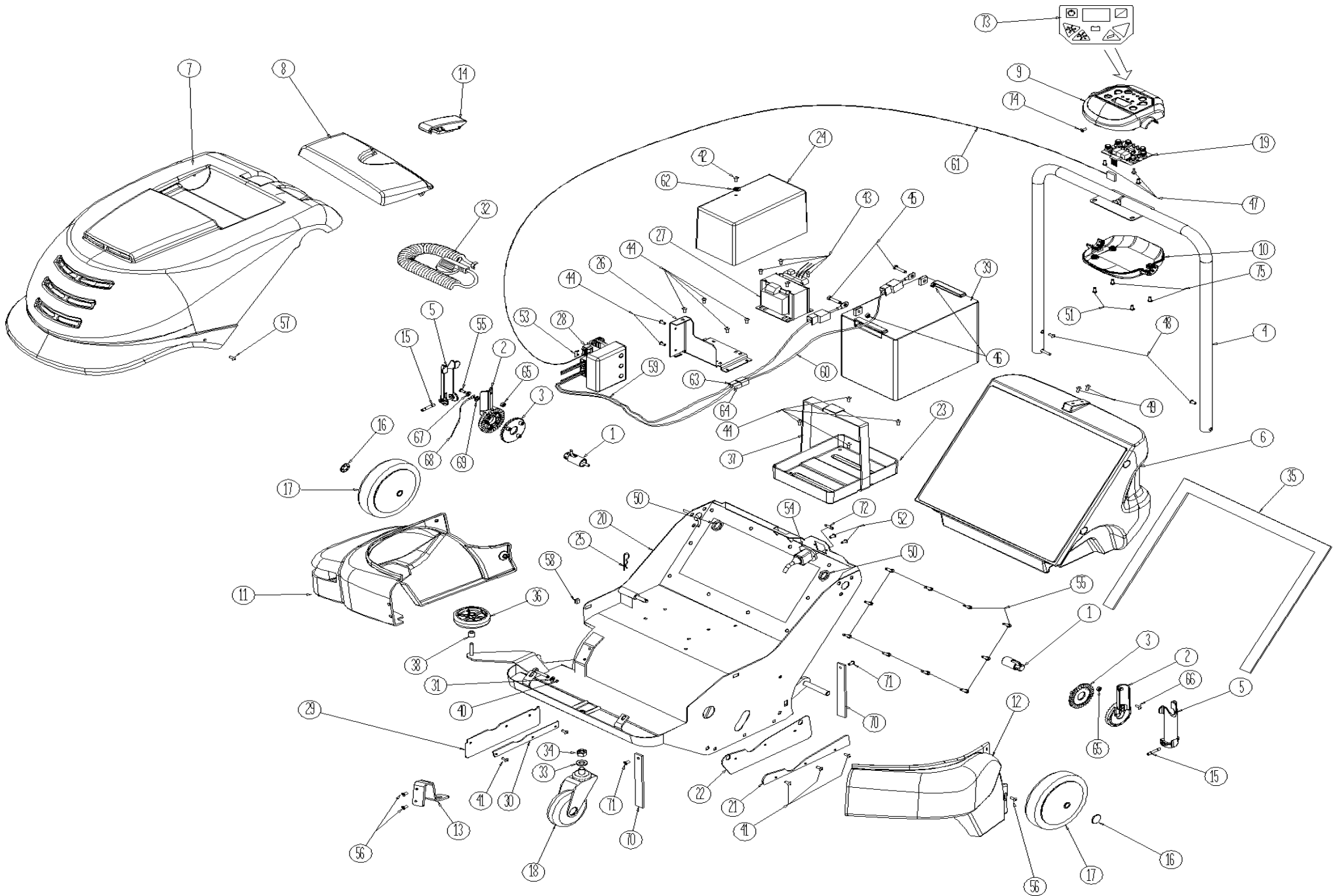


Ref.	Part N.	Alt. Part N.	Description	Quantity	Validity From	Validity To
85	3MLML45281		SPRING	1		
86	3LAFN07372		CAP PROTECTION BEARING 464	1		
90	3GUGO00414		GASKET SHAKER FRAME	2		
91	3VTAE13511		CIRCLIP D. 10 UNI 7435	1		

KITS

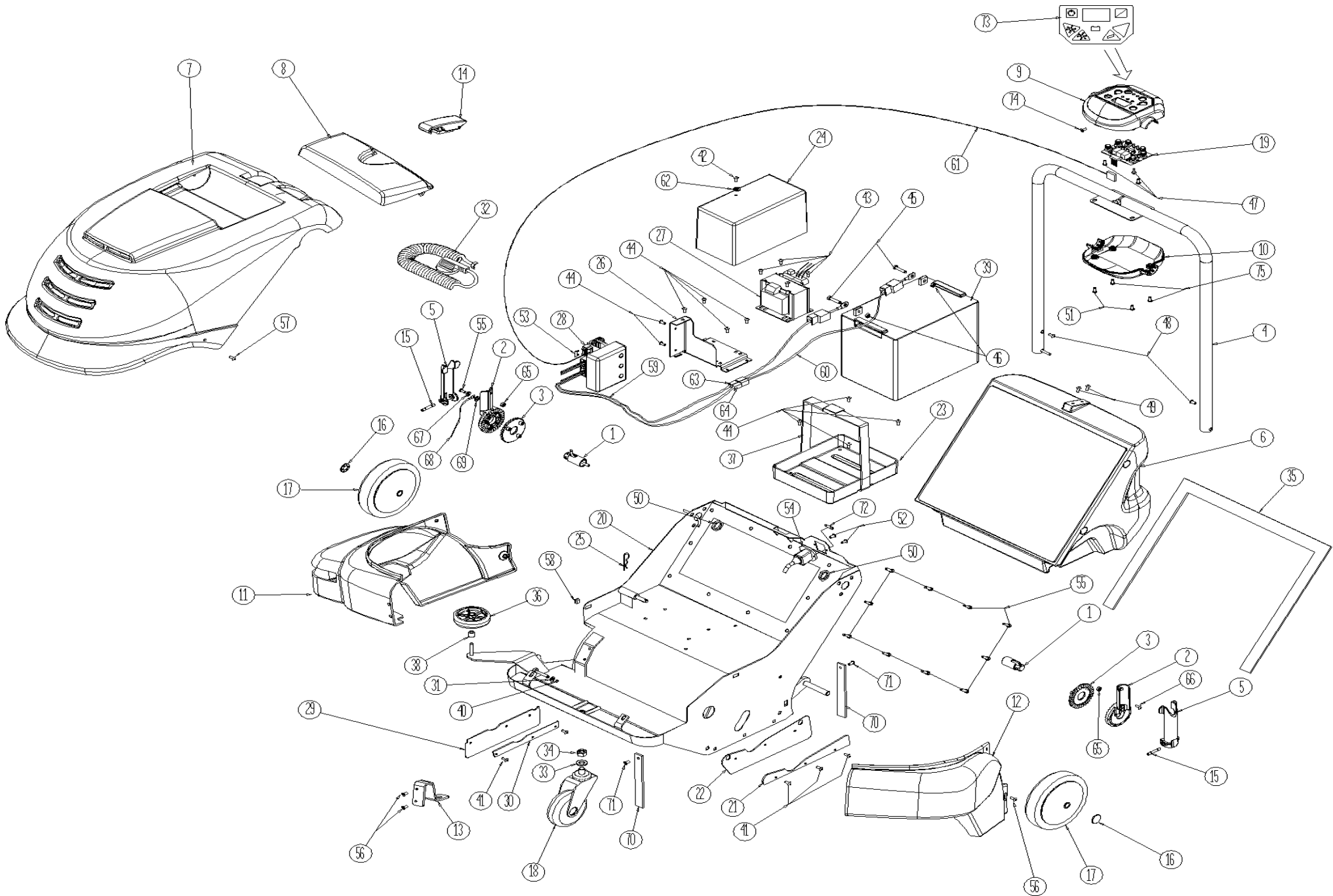
Ref.	Part N.	Alt. Part N.	Description	Quantity	Validity From	Validity To
30, 54, 86	3PMVR00436		BEARING ASSEMBLY, WITH FLANGE			

FRAME



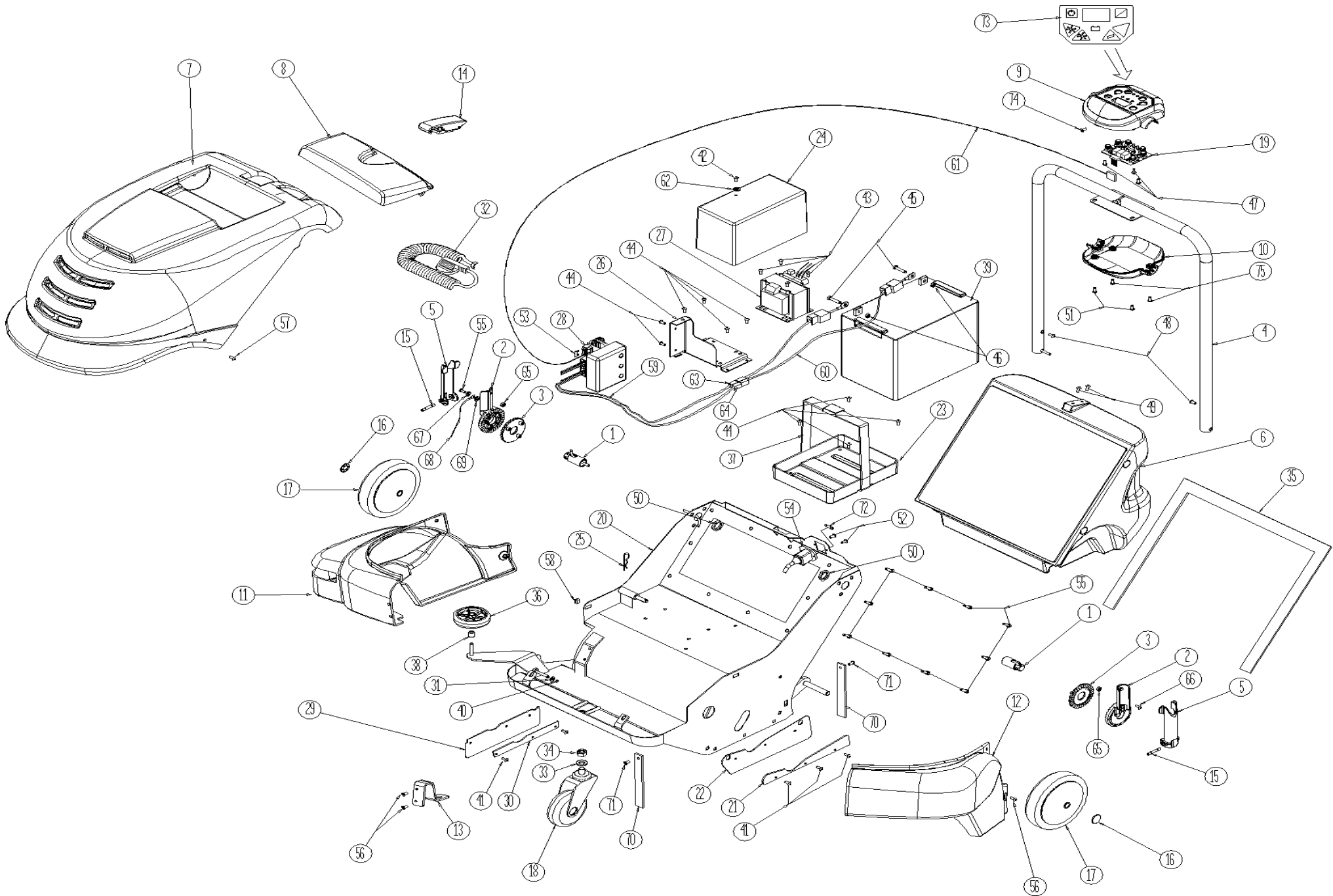
Ref.	Part N.	Alt. Part N.	Description	Quantity	Validity From	Validity To
1	3LAFN01223		PIN HANDLE ROTATION	2		
2	3MPVR00914		CLAMP -SERRATED HANDLE L	2		
3	3MPVR00915		PAD SERRATED HANDLE LOCK	2		
4	3LAFN06583		HANDLE 464	1		
5	3MPVR00917		LEVER LOCK HANDLE	2		
6	3MPVR05160		DRAWER BLACK 464	1		
7	3MPVR05299		COVER, HOOD BLUE FOR 19677	1		
7	3MPVR06000		COVER, HOOD BLUE FOR 19677	1		
8	3MPVR05155		COVER COMPARTMENT	1		
9	3MPVR00926		INSTRUMENT PANEL HOUSING - UPPER	1		
10	3MPVR00927		INSTRUMENT PANEL HOUSING - LOWER	1		
11	3MPVR05157		COVER 464 RIGHT SIDE GRAY	1		
12	3MPVR05158		COVER 464 LEFT SIDE GRAY	1		
13	3LAFN06806		BRACKET	1		
14	3MPVR00902		LATCH HOPPER	1		
15	3LAFN01237		PIN LEVER LOCK HANDLE	2		
16	3VTVR00305		STARLOCK WASHER CAPPED D.12	2		
17	3RTRT00039		WHEEL REAR 464-664	2		
18	3RTRT00040		WHEEL FRONT 464-664	1		
19	3MECE00020		BOARD DISPLAY 464	1		
20	3LAFN01219		FRAME 464	1		
21	3LAFN01235		PLATE FLAP -LEFT SIDE	1		
22	3MPVR00938		FLAP LEFT SIDE 464	1		
23	3MPVR05106		TRAY BATTERY 464	1		
24	3MPVR05105		COVER POWER BOARD	1		
25	3VTVR47052		SPLIT PIN	1		
26	3LAFN01236		SUPPORT POWER BOARD	1		
27	3MECE00408		TRANSFORMER FOR BATTERY CHARGER 115V	1		
28	3MECE00025		PCB CONTROL BOARD/CHARGER	1		

FRAME



Ref.	Part N.	Alt. Part N.	Description	Quantity	Validity From	Validity To
29	3MPVR00937		FLAP RIGHT SIDE 464	1		
30	3LAFN01234		PLATE FLAP RIGHT SIDE	1		
31	3VTRS00011		WASHER UNI 6592 6X12 ZC	1		
32	3MECB00923		CHARGER CORD ONBOARD	1		
33	3VTRS86510		WASHER UNI 6592 12X24 ZC	1		
34	3VTDD00012		NUT NYL DIN 985 M12 ZC	1		
35	3MPVR01708		GASKET HOPPER	1		
36	3RTRT00011		WHEEL BUMPER D.150	1		
37	3MTCG00011		BELT STRAP FOR BATTERY	1		
38	3LAFN75911		SPACER D.12 H.7	1		
39	19406		BATTERY 12V 42AH/20H AGM	1		
40	3VTAE48552		CIRCLIP ESTERNO DIN 471 D.6	1		
41	3VTVT00800		SCREW SHCS 4X12 ZC	5		
42	3VTVT00003		SCREW HH M4X12 ZC UNI 5739	1		
43	3VTVT72043		SCREW UNI 7687 4X16 ZC	4		
44	3VTVT00003		SCREW HH M 4X 12 ZC. UNI 5739	10		
45	3VTVT00104		SCREW HH UNI 5739 6X18 ZC	2		
46	3VTDD00482		NUT M6 ZC UNI 5588	2		
47	3VTDD00002		NUT UNI 5588 M4 ZC	3		
48	3VTVT00993		SCREW UNI 8112	2		
49	3VTVT00075		SCREW UNI 5933 5X20 ZC	2		
50	3LAFN06270		RING NUT	2		
51	3VTVT14062		SCREW HH UNI 5739 5X16 ZC	4		
52	3VTVT01353		SCREW SH-CSK UNI 5933 3X8 ZB	2		24/05/2016
52	3VTVT00329		SCREW	2	25/05/2016	
53	3MEVR00039		FUSE 20A	1		
54	3MEVR01930		RECEPTACLE CHARGER W\ FUSE	1		
55	3VTVT83145		SCREW SH-CSK UNI 5933 5X15 ZC	11		
56	3VTVT75726		SCREW SHCS ISO 7380 6X16 ZC	4		

FRAME



Ref.	Part N.	Alt. Part N.	Description	Quantity	Validity From	Validity To
57	3VTVT09916		SCREW SHCS ISO 7380 6X20 ZC	2		
58	3VTDD00501		NUT M6 SQUARE CLIP	4		
59	3MECE00026		CHARGER WIRE HARNESS	1		
60	3MECB00924		WIRING BATTERY CONNECTION W/CAPS	1		
61	3MECE00023		CABLE PCB DISPLAY	1		
62	3VTRS15959		WASHER UNI 6593 4X12X1,5 ZC	1		
63	3MEVR00082		CONNECTOR PP75 BLACK	1		
64	3MEVR00083		CONNECTOR PP75 RED	1		
65	3VTDD00017		NUT NYL DIN 985 M5	2		
66	3VTVT05726		SCREW M5X12 SH-CSK ZC UNI5933	1		
67	3VTRS00010		WASHER UNI 6592 5X10 ZC	1		
68	3MECB00971		WIRE ASSEMBLY	1		
69	3VTRS03924		WASHER D. 5 DIN 6798E	1		
70	3MPVR04693		RUBBER STRAP CONDUCTIVE	2		
71	3VTVT62920		SCREW HH 6X16 ZC	2		
72	3MEVR01986		FUSE 2.5 A 250V 5X20	1		
73	3ETET00146		LABEL CONTROL PANEL	1		

Dustbane Customer Support

Mailing Address

25 Pickering Place
Ottawa, ON K1G 5P4
Canada

Phone

1-800-387-8226

Email

General Inquiries: info@dustbane.ca
Technical Inquiries: techsupport@dustbane.ca

Website

www.dustbane.ca

Support à la clientèle Dustbane

Adresse postale

25 place Pickering
Ottawa, ON K1G 5P4
Canada

Téléphone

1-800-387-8226

Courriel

Demandes générales : info@dustbane.ca
Demandes techniques : techsupport@dustbane.ca

Site web

www.dustbane.ca



GIVE meaning
TO YOUR cleaning™

Un impact
PLUS GRAND EN
nettoyant^{MC}