

Parts Manual Manuel de pièces



Gladiator 1050 Ride-On

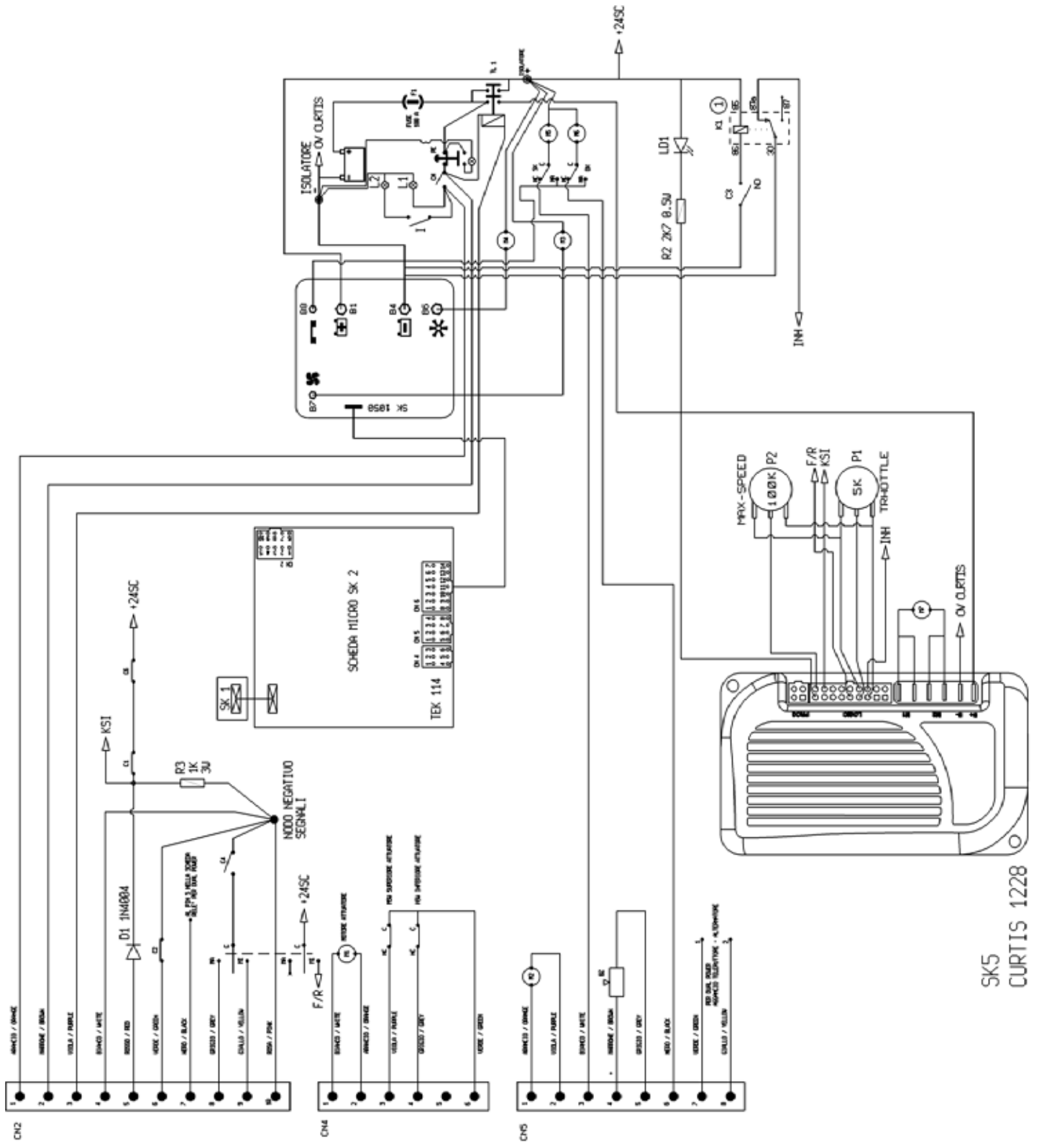
Sweeper / Balayeuse
Code: 19676

Serial Number:
Numéro de série : _____

Date of Purchase:
Date d'achat : _____

More info / Plus d'info : www.dustbane.ca
2016-01

Electrical Diagram #1



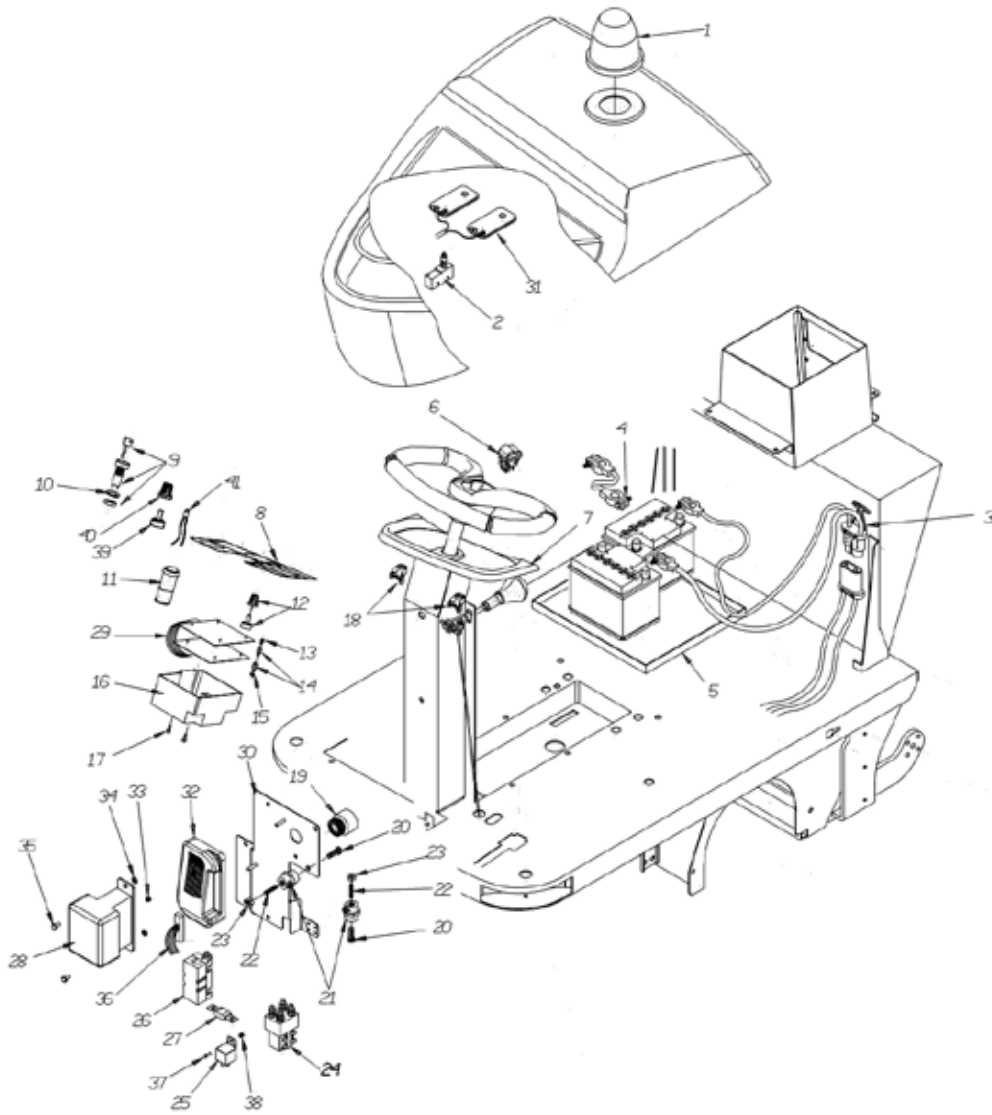
SK5
CURTIS 1228

Electrical Diagram #2

M1	ACTUATOR MOTOR	MI	REVERS GEAR
M2	FILTERSHAKER MOTOR	MA	FORWARD GEAR
M3	SUCTION MOTOR	L1	FLASHING LIGHT
M4	CENTRAL BRUSH MOTOR	L2	FRONT LIGHTS
M5	LEFT BRUSH MOTOR	I	SWITCH FRONT LIGHTS
M6	RIGHT BRUSH MOTOR	R3	THERMAL CIRCUIT RESISTOR
M7	TRACTION MOTOR	D1	THERMAL CIRCUIT DIODE
TL1	ELECTROMAGNETIC SWITCH BIPOLAR	LD1	STATUS LED SURTIS
C1	CLIXON TRACTION MOTOR	R2	RESISTOR STATUS LED SURTIS
C2	OVERFILLING LEVEL	SK5	CURTIS CONTROLLER
C3	MSW SEAT	K1	RELAY
C4	MSW ADVANCEMENT PEDAL		
C6	CLIXON BRUSH MOTOR		
P1	RUDDER PEDALS POTENTIOMETER 4K7		
P2	MAX SPEED POTENTIOMETER		
CH	KEY SWITCH		
PE	EMERGENCY PUSHBUTTON		
BZ	BUZZER		
F1	FUSE 100 A		
SK1	DASHBOARD		
SK2	MICRO CARD		
SK3	OUTPUT CARD		

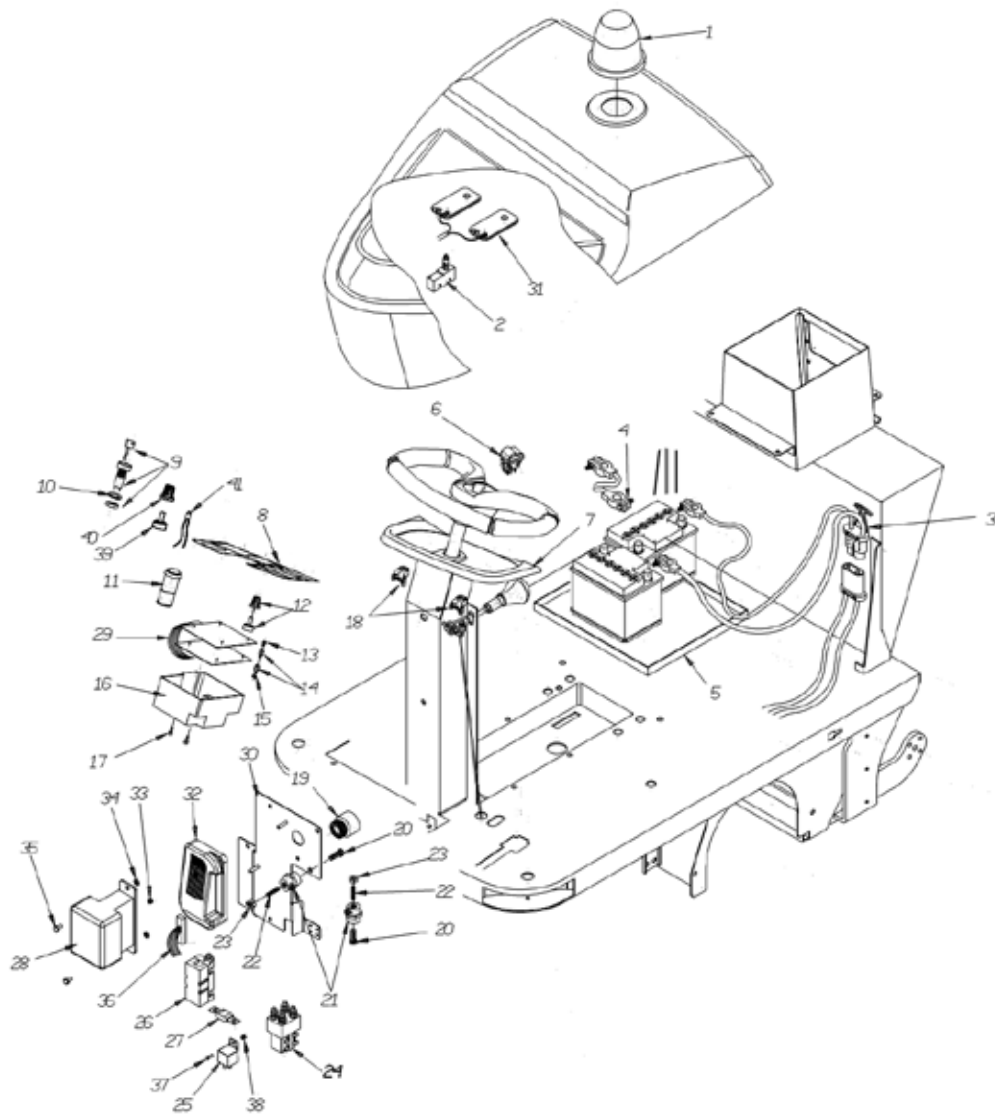
Ref.	Part N.	Description	Quantity	Validity From	Validity To
00C4	3MECB01228	WIRING	1		
00F1	3MEVR00145	FUSE - 100A	1		
00M1	3MOCC00009	ATUATOR CENTRAL BRUSH	1		
00M2	3MOCC00004	MOTOR D.63 24V G3800 W35	1		
00M3	3MOCC00008	MOTOR SUCTION	1		
00M4	3MOCC00297	MOTOR 300W	1		
00M5	3MOCC00031	MOTOR - GEARBOX AOMPI40 24V 60W SX	1		
00M6	3MOCC00032	MOTOR - GEARBOX AOMPI40 24V 60W SX	1		
00M7	3MOCC00029	MOTOR DRIVING WHEEL 24V 400W	1		
00P1	3MECB01227	WIRING - ACCELERATOR	1		
OSK2	3MECE00498	BOARD	1		
OSK3	3MECE00495	BOARD	1		
OSK5	3MECE00497	BOARD CURTIS TR. CARD	1		
OTL1	3MECI00037	CONTACTOR TL22 P V 24V	1		

Electrical Installations



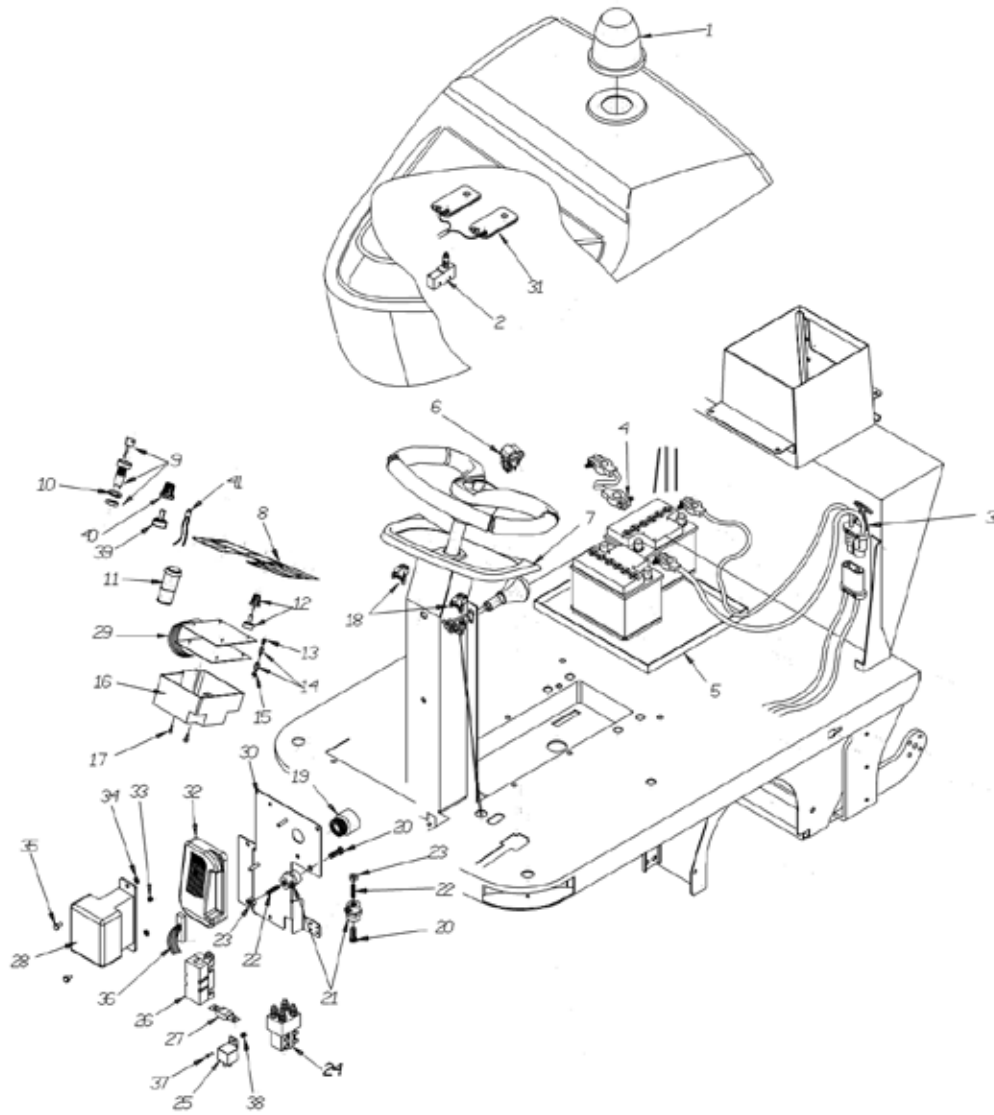
Ref.	Part N.	Description	Quantity	Validity From	Validity To
1	3MEVR00935	FLASHING LIGHT	1		
2	3MECI75801	MICROSWITCH TK	1		
3	3MECB00126	CABLE COLLEG.BATTERY	1		
4	3MECB44778	CABLE BATT. 1X16 L.1400	3		
5	3LAFN46836	BATTERY SUPPORTL.14000	1		
6	3MECI00038	SWITCH BIPOLAR	1		
7	3MPVR00300	INSTRUMENT PANEL THERMOCOUPLER	1		
8	3MEVR01984	DASHBOARD	1		
9	3MECI75805	SWITCH	1		
10	3VTRS00023	WASHER - INT.UNI 6798 D.18	1		
11	3MECI00028	EMERGENCY BUTTON	1		
12	3MECE00498	BOARD	1		
13	3VTVT00035	SCREW - M 3X 8 TS TC ZC	4		
14	3LAFN47038	CONNECTOR - M-F M3	4		

Electrical Installations



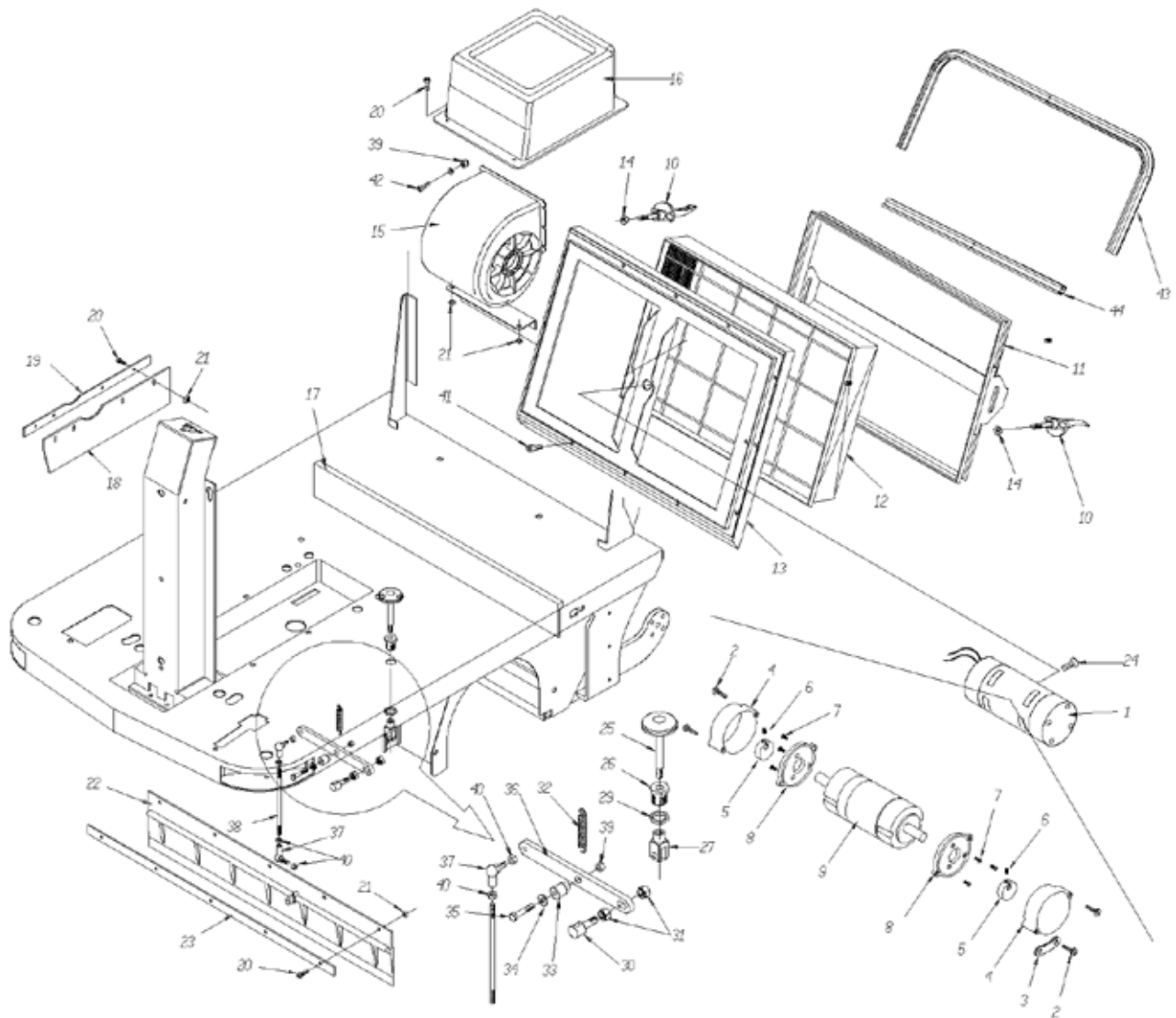
Ref.	Part N.	Description	Quantity	Validity From	Validity To
15	3VTDD00001	NUT - UNI 5588 M3 ZB	4		
16	3MPVR04902	COVER MICRO BOARD	1		
17	3VTVT00288	SCREW - TCTC 4X10	2		
18	3MECI75801	MICROSWITCH TK	2		
19	3MEVR00092	BUZZER X TK1400	1		
20	3VTVT75719	SCREW - TE F/ROND. M 6 X 10	2		
21	3MEVR47082	INSULATOR - M6 35-CH32	2		
22	3VTVT47088	SCREW - EI-ST 6X30 UNI5923 ZC	2		
23	3VTDD00004	NUT - M 6 ZC UNI5588	2		
24	3MECI00532	CONTACTOR - 24V-100A	1		
25	3MECI00005	RELAY - 24V 10/20A	1		
26	3MEVR00146	FUSE HOLDER MEGA	1		
27	3MEVR00145	FUSE - 100A	1		
28	3MECE00495	BOARD	1		

Electrical Installations



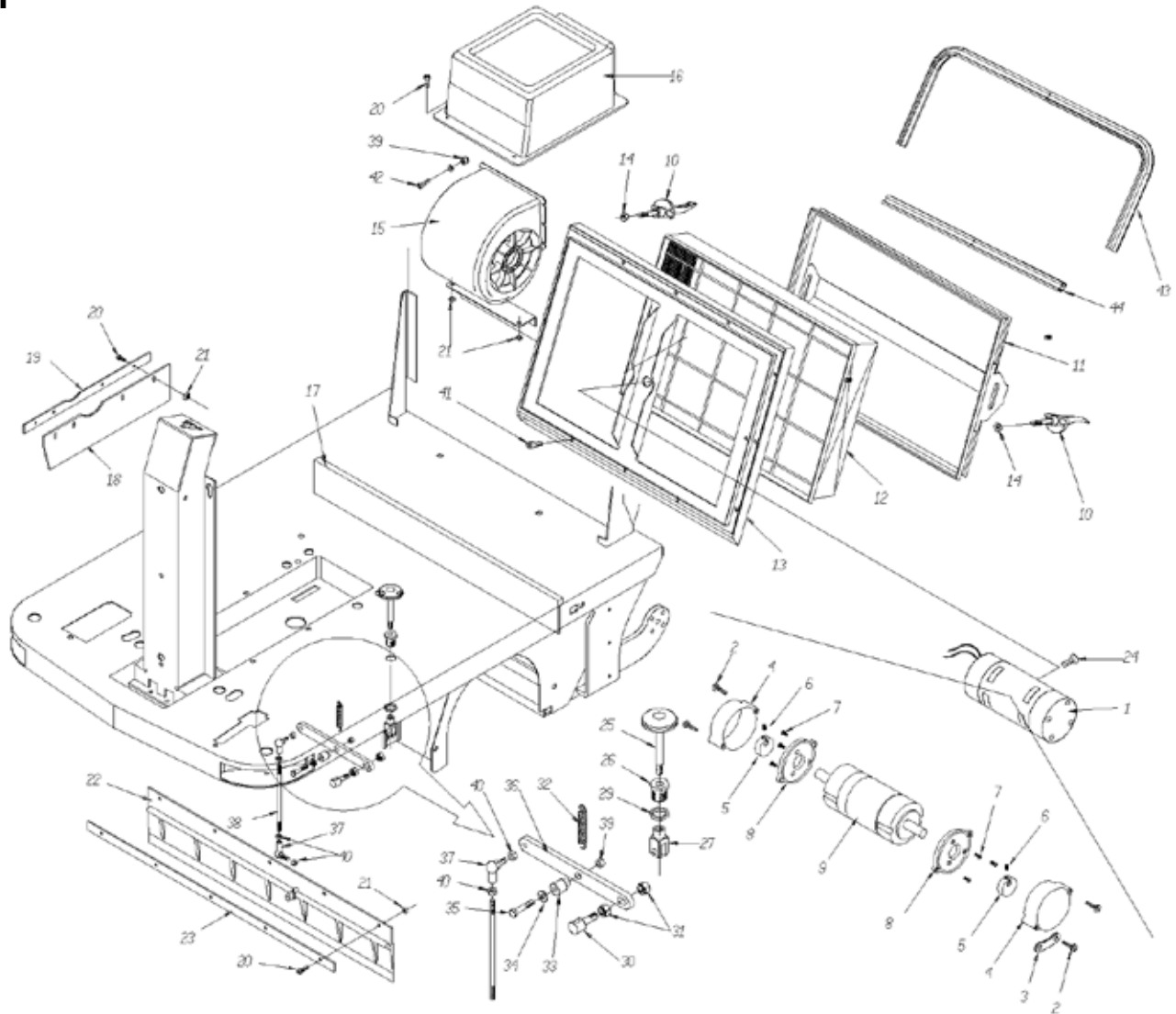
Ref.	Part N.	Description	Quantity	Validity From	Validity To
29	3MECE00498	BOARD	1		
30	3LAFN08824	SPACER	1		
32	3MECE00497	BOARD	1		
33	3VTDD08171	NUT - M 5 TEF	2		
34	3VTRS00365	THICKNESS - 18X25X1	2		
35	3VTVT01127	SCREW - TE M6x20	2		
36	3MECB01223	WIRING	1		
37	3VTVT00003	SCREW - TE M 4X 12 ZC. UNI 5739	1		
38	3VTDD04369	NUT - M 4 TEF UNI 7473	1		
39	3MEVR01941	POTENTIOMETER 100K	1		
40	3KTRIO1935	KIT	1		
41	3KTRIO2054	KIT LED DIAGNOSTIC CURTIS	1		

Filter



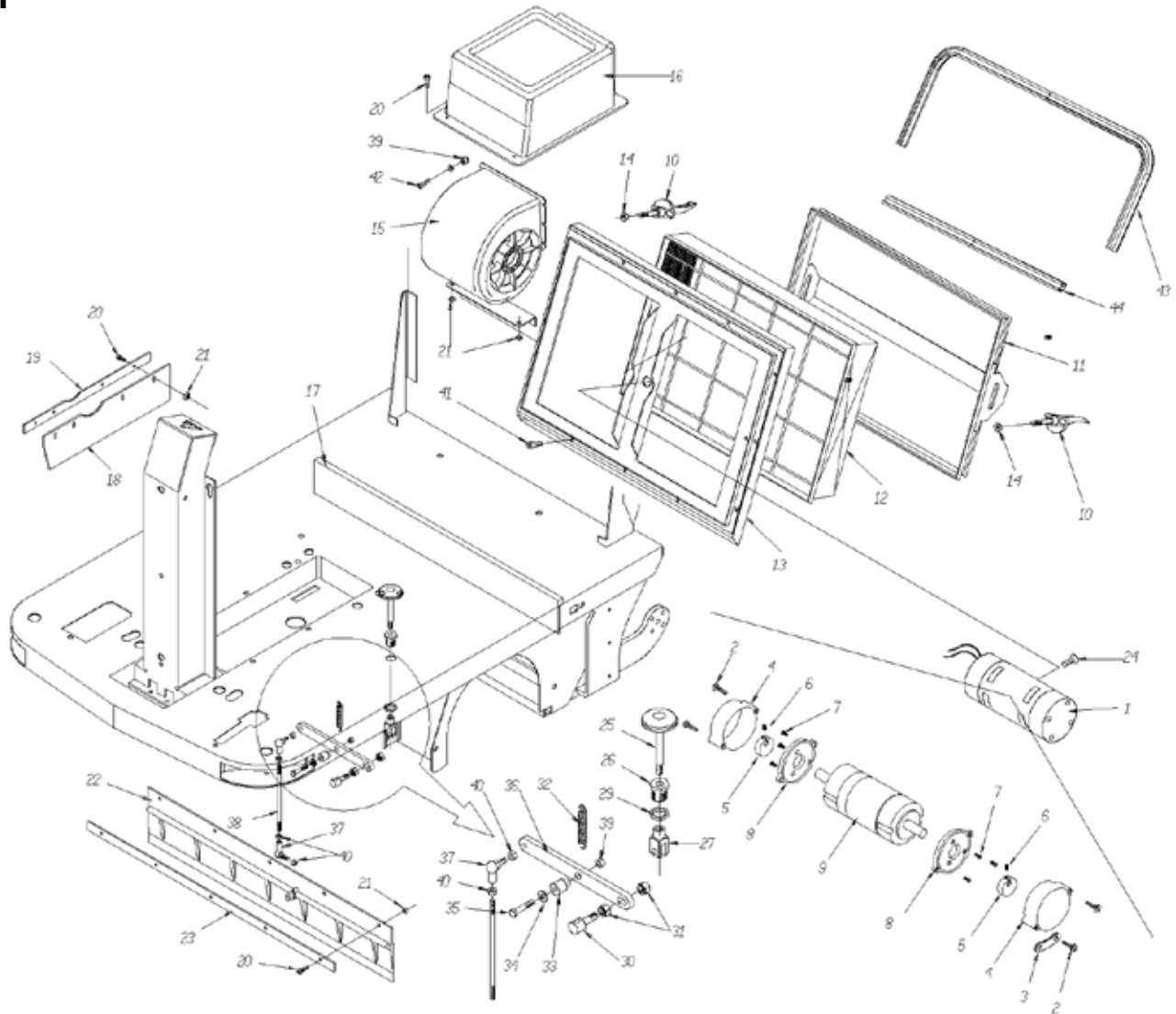
Ref.	Part N.	Description	Quantity	Validity From	Validity To
1	3MOCC45112	MOTOR 24V CC ECC.	1		
2	3VTVT47138	SCREW - TSP-TC 3,9X32 ZC. UNI6955	4		
3	3MPVR00765	RUBBER FIXING WIRE SHAKER FILTER	2		
4	3LAFN47139	MOTOR COVER L.14 FILT.	2		
5	3LAFN47140	BUSHING L.14	2		
6	3VTVT75731	SCREW - UNI 5923 6 X5	2		
7	3VTVT76616	SCREW - M 4x18 STEAM GUN	6		
8	3MFVR47141	FLANGE MOTOR L.14	2		
9	3MOCC00004	MOTOR - D.63 24V G3800 W35	1		
10	3PMVR00383	HANDLE BLOCKING FILTER SILVER	2		
11	3LAFN01172	FRAME - FIXED FILTER	1		
12	3FTDP00010	FILTER	1		
13	3LAFN01030	FRAME HOLDER COMPL.	1		
14	3VTDD13261	NUT - M 8X1 UNI 5589	2		

Filter



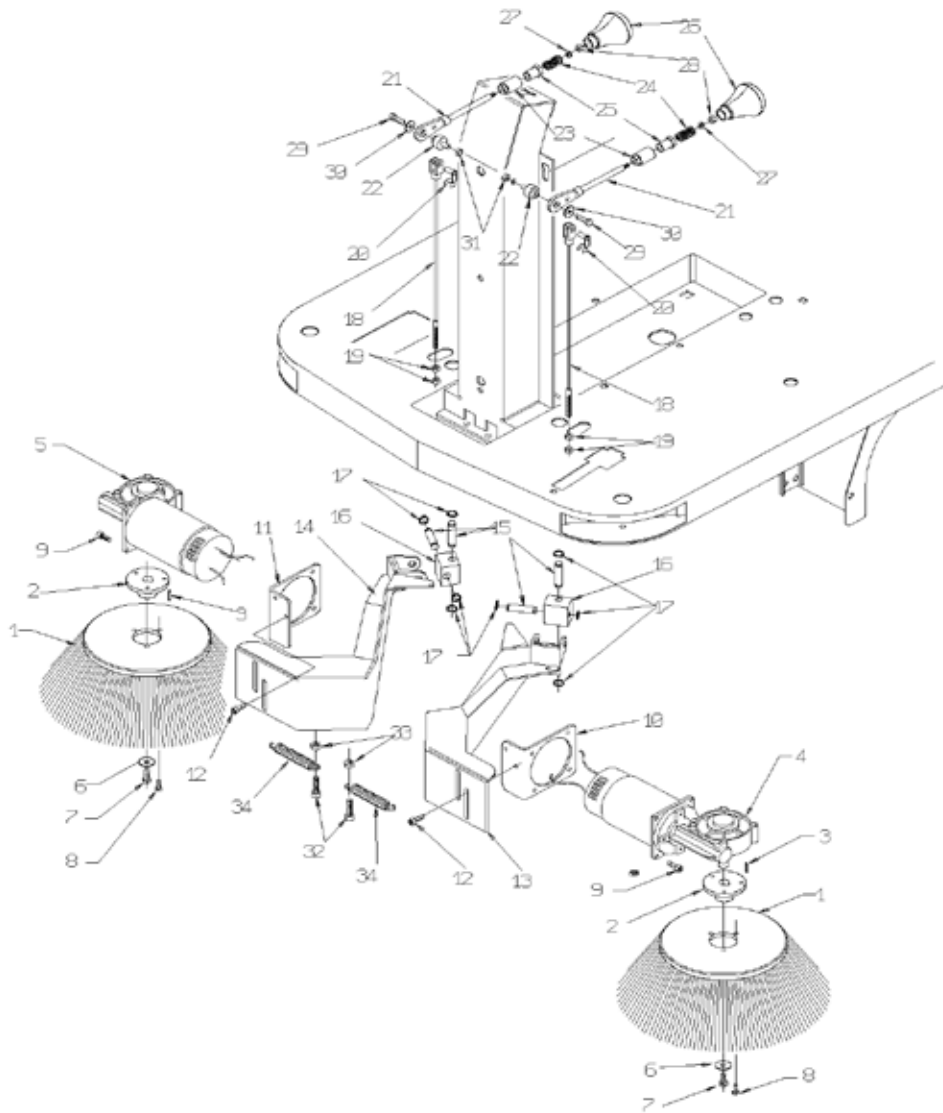
Ref.	Part N.	Description	Quantity	Validity From	Validity To
15	3MOCC00008	MOTOR SUCTION	1		
16	3MPVR00864	FAN COVER INTAKE	1		
17	3MPVR00760	FLAP - REAR FIXED	1		
18	3MPVR04709	FLAP - SIDE	1		
19	3LAFN00325	CLAMP FLAP LATER.	1		
20	3VTVT00044	SCREW TC AF.X PLAS UNI9707 4X16	13		
21	3VTVR47015	INSERT - PLS. D.3	13		
22	3MPVR00847	FLAP - REAR	1		
23	3LAFN00326	CLAMP FLAP ANTER.ZINC	1		
24	3VTVT47143	SCREW - TSPEI M 10X 16 ZC UNI5933	1		
25	3LAFN01150	PEDAL	1		
26	3LAFN01159	PIN THREADED	1		
27	3CMCV00001	FORK - UNI 1676 M8X16	1		
29	3VTDD00022	NUT - UNI 5589 M18x1,5 zb	1		
30	3VTVT00010	SCREW - TE UNI 5739 8X40 ZB	1		

Filter



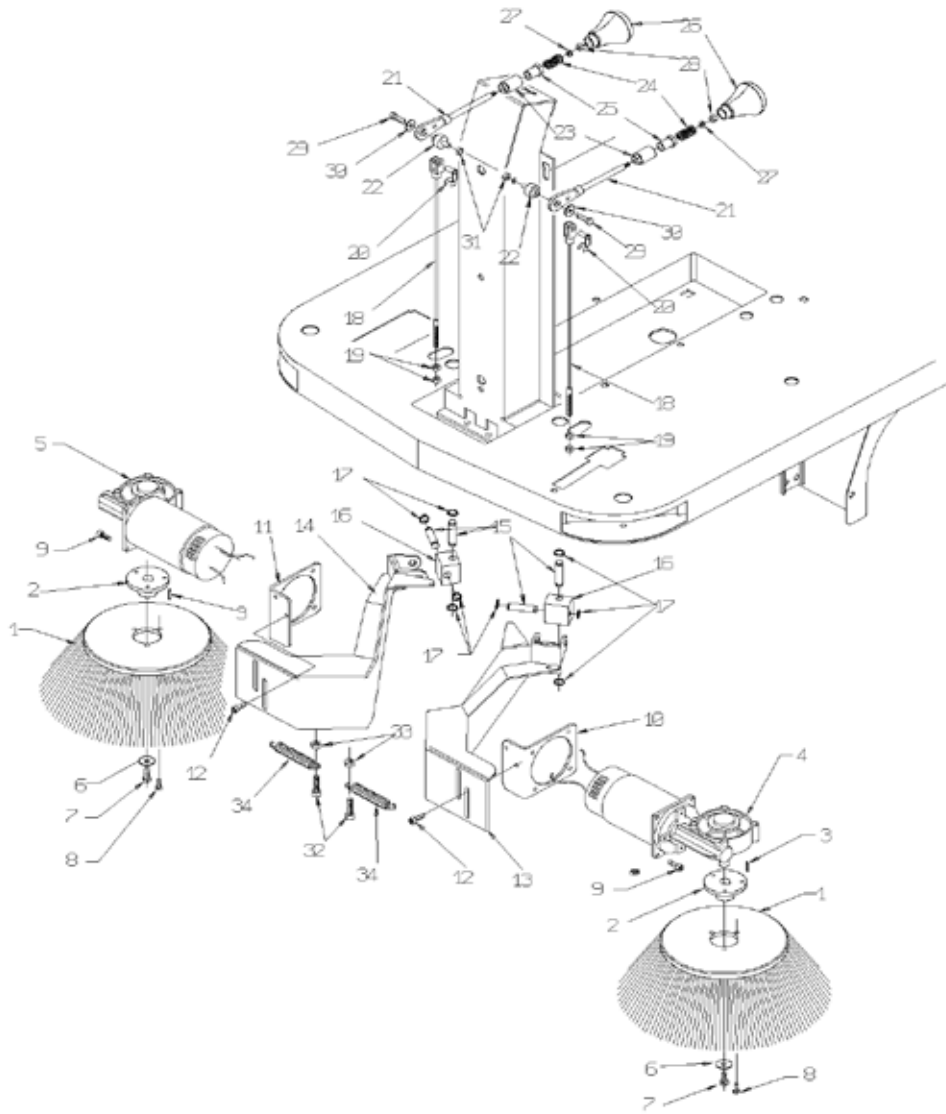
Ref.	Part N.	Description	Quantity	Validity From	Validity To
31	3VTDD87083	NUT - AUTO BLOK M8 DIN 985 ZB	1		
32	3MLML00037	SPRING PEDAL	1		
33	3LAFN01160	PIN HUB	1		
34	3VTRS86634	WASHER - 6X18X1,5 UNI6593	1		
35	3VTVT63029	SCREW - TCEI M 6X 35 UNI 5931 ZB	1		
36	3LAFN01163	ROD	1		
37	3VTVR45280	ARTICULATION AS M6	2		
38	3LAFN06357	PIN	1		
39	3VTDD00010	NUT - AUTOBLOK DIN 985 M6 BASSO	5		
40	3VTDD00004	NUT - M 6 ZC UNI5588	4		
41	3VTVT09913	SCREW - TCEI 6X16 UNI5931	12		
42	3VTVT24209	SCREW - TCEI 6X12 UNI5931	6		
43	3GUGO00285	GASKET TK1320048	1,50		
44	3GUGO00285	GASKET TK1320048	0,80		

Side Brushes



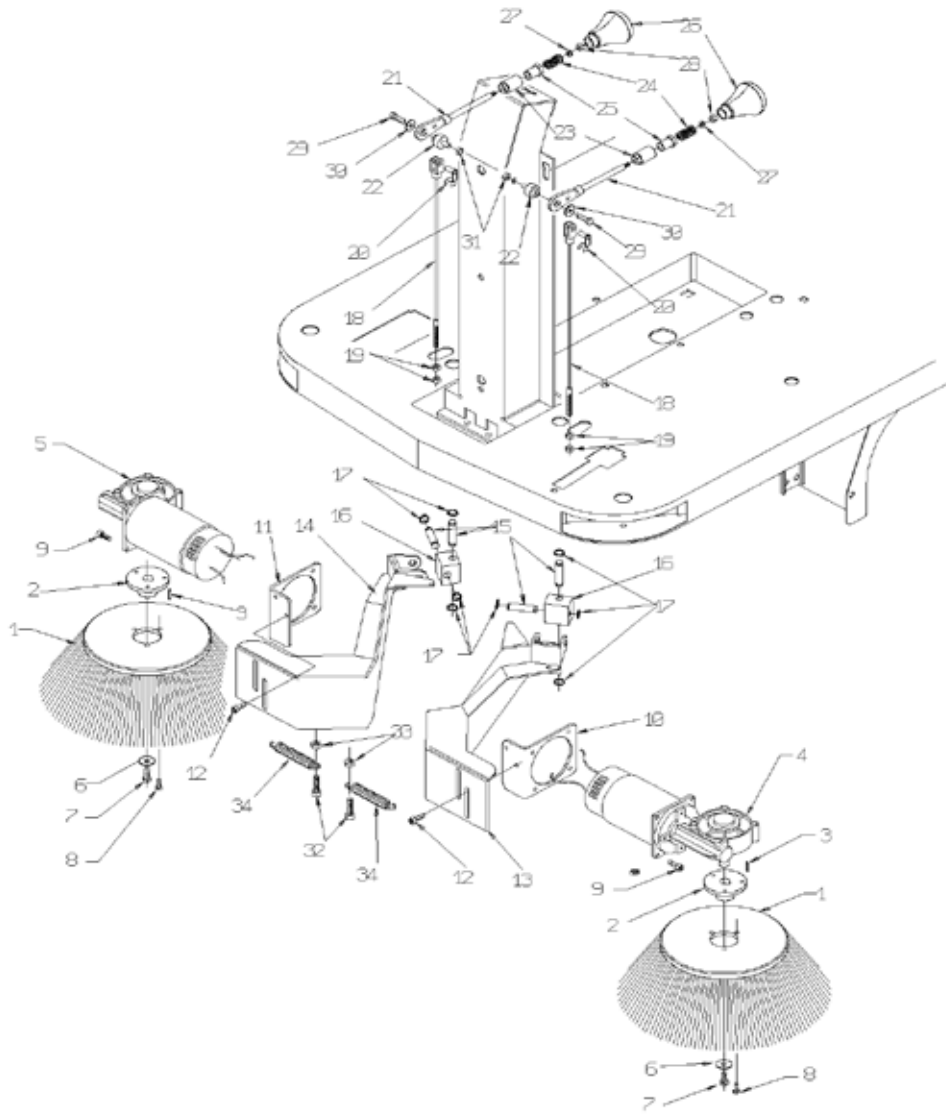
Ref.	Part N.	Description	Quantity	Validity From	Validity To
1	3SPPV75790	SIDE-BRUSH D.400 PPL BK. D.0.7	2		
2	3LAFN45010	FLANGE L.1400 LT.	2		
3	3VTVR13165	KEY - 5X5X20	2		
4	3MEVR31145	CARBON LAV. BT	2		
4	3MOCC00031	MOTOR.GEARBOX AOMPI40 24V 60W SX	1		
5	3MEVR31145	CARBON LAV. BT	2		
5	3MOCC00032	MOTOR GEARBOX - AOMPI40 24V 60W DX	1		
6	3VTRS63242	WASHER - D. 6 X24 ZC	2		
7	3TVVT75719	SCREW - TE F/ROND. M 6 X 10	2		
8	3TVVT62920	SCREW - TE F/ROND. M 6X 16 ZB	6		
9	3TVVT09913	SCREW - TCEI 6X16 UNI5931	8		
10	3LAFN00809	PLATE BRUSH HOLDER.LAT.SX	1		
11	3LAFN00808	PLATE BRUSH HOLDER.LAT.SX	1		
12	3TVVT75719	SCREW - TE F/ROND. M 6 X 10	4		

Side Brushes



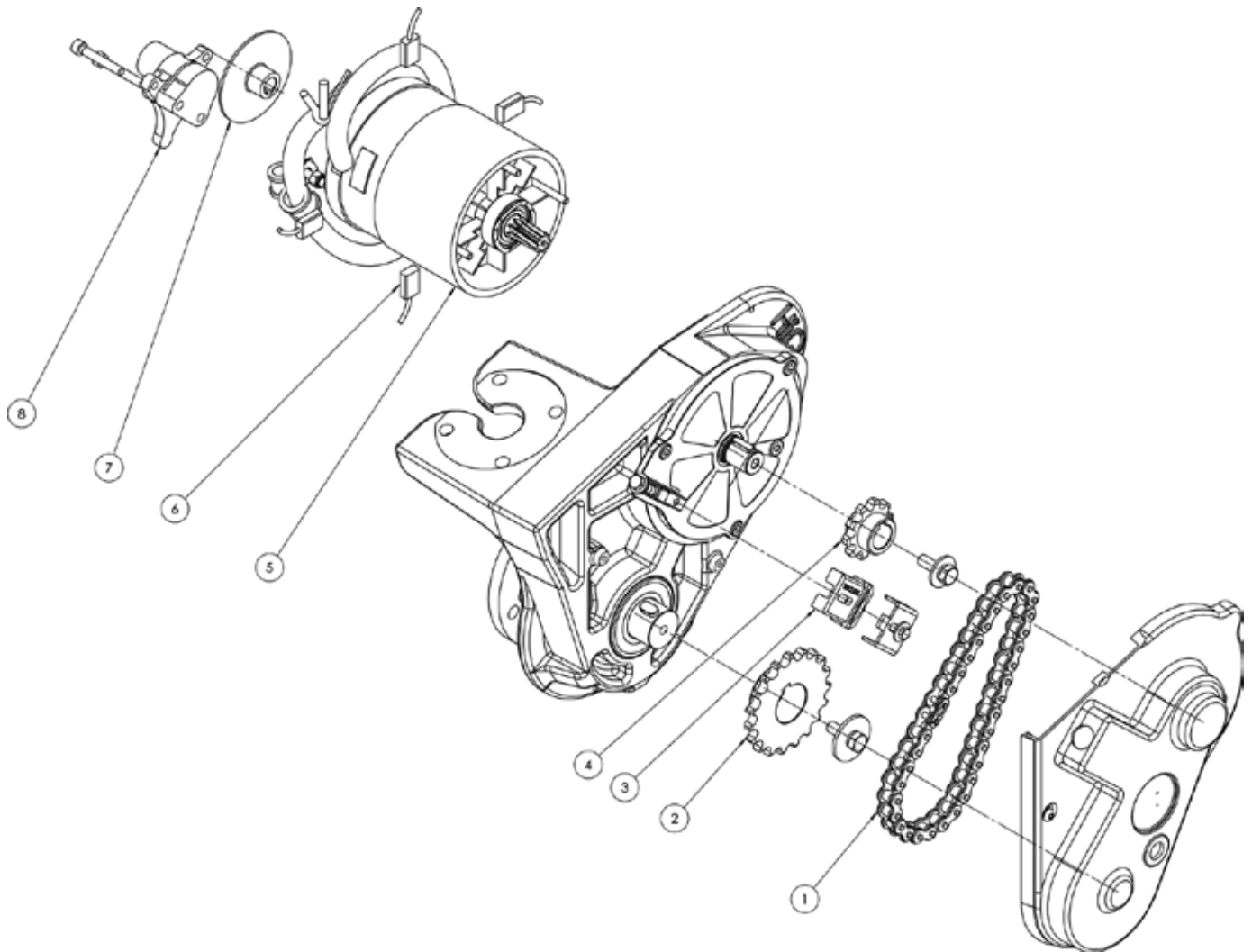
Ref.	Part N.	Description	Quantity	Validity From	Validity To
13	3LAFN00800	SUPPORT - SIDE SX ZINC	1		
14	3LAFN00798	SUPPORT - SIDE SX ZINC	1		
15	3LAFN01148	PIN SIDE BRUSHES	4		
16	3LAFN00154	BLOCK BRACKET BRUSH.LAT.	2		
17	3VTAE87276	SEEGER EXT. - D10 DIN471	8		
18	3CMCV00053	CABLE UP SIDE BRUSHES	2		
19	3VTDD00004	NUT - M 6 ZC UNI5588	4		
20	3CMCV00009	CLIP - UNI 1676	2		
21	3LAFN00803	ARM UP BRUSH LATER.	2		
22	3LAFN00153	BUSHING LEVER UP BRUSHES.LAT.ZINC.	2		
23	3MPVR00081	BUSHING HANDLE	2		
24	3MLML00027	SPRING KNOB BRUSH.CENTRAL	2		
25	3LAFN00523	DOOR SPRING UP BRUSH	2		
26	3MPVR00886	SMALL KNOB BRUSH SIDE	2		

Side Brushes



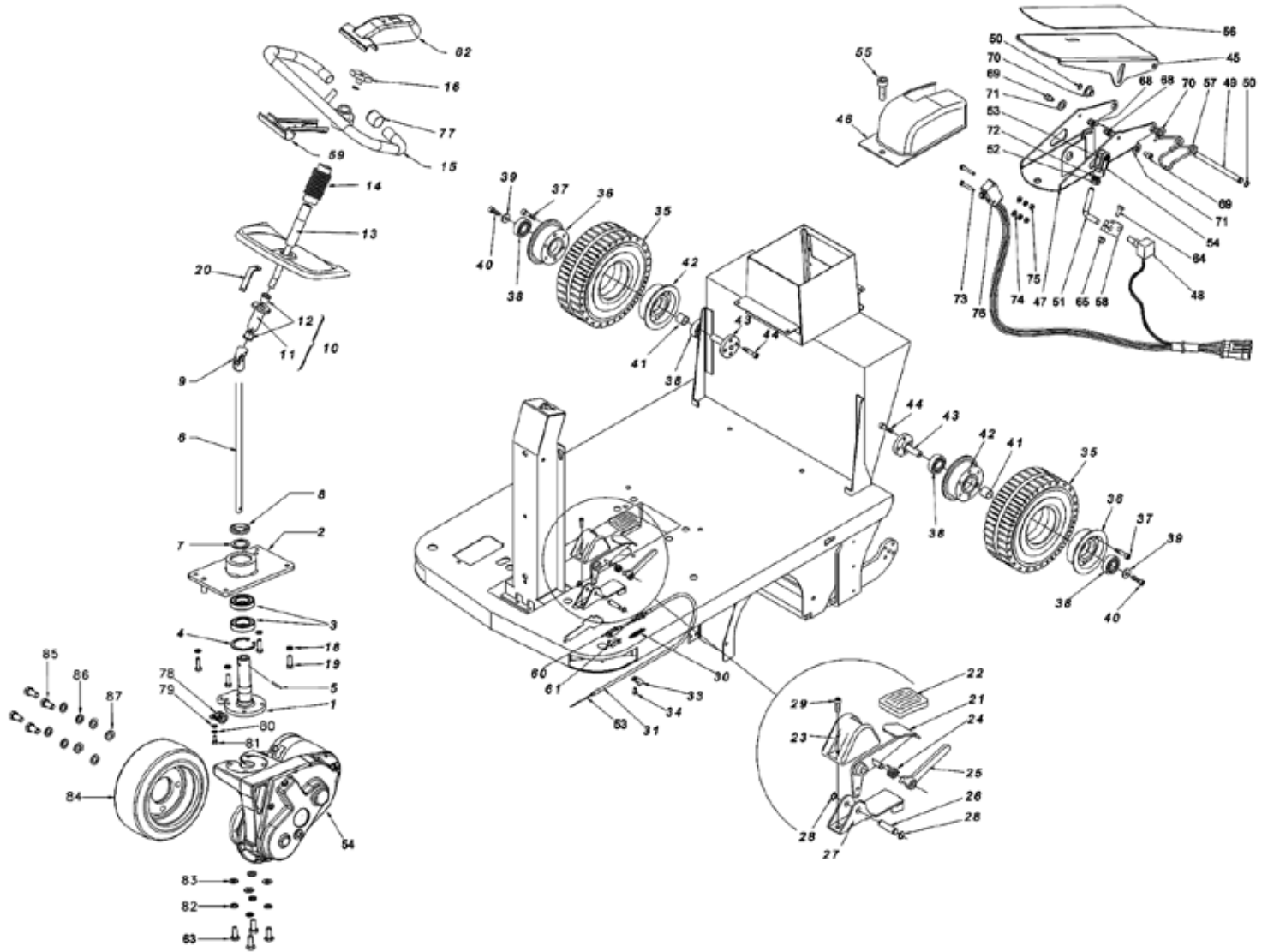
Ref.	Part N.	Description	Quantity	Validity From	Validity To
27	3VTRS00010	WASHER - UNI 6592 5X10 ZB	2		
28	3VTDD00017	NUT - AUTOBLOK DIN 985 M5	2		
29	3VTVT12255	SCREW - TCEI 6X25 UNI5931	2		
30	3VTRS86634	WASHER - 6X18X1,5 UNI6593	2		
31	3VTDD19688	NUT - M6 UNI 7473	2		
32	3VTVT00016	SCREW - TE UNI 5739 8X30 ZB	2		
33	3VTDD87083	NUT - AUTO BLOK M8 DIN 985 ZB	2		
34	3MLML45102	SPRING	2		

Traction Motor



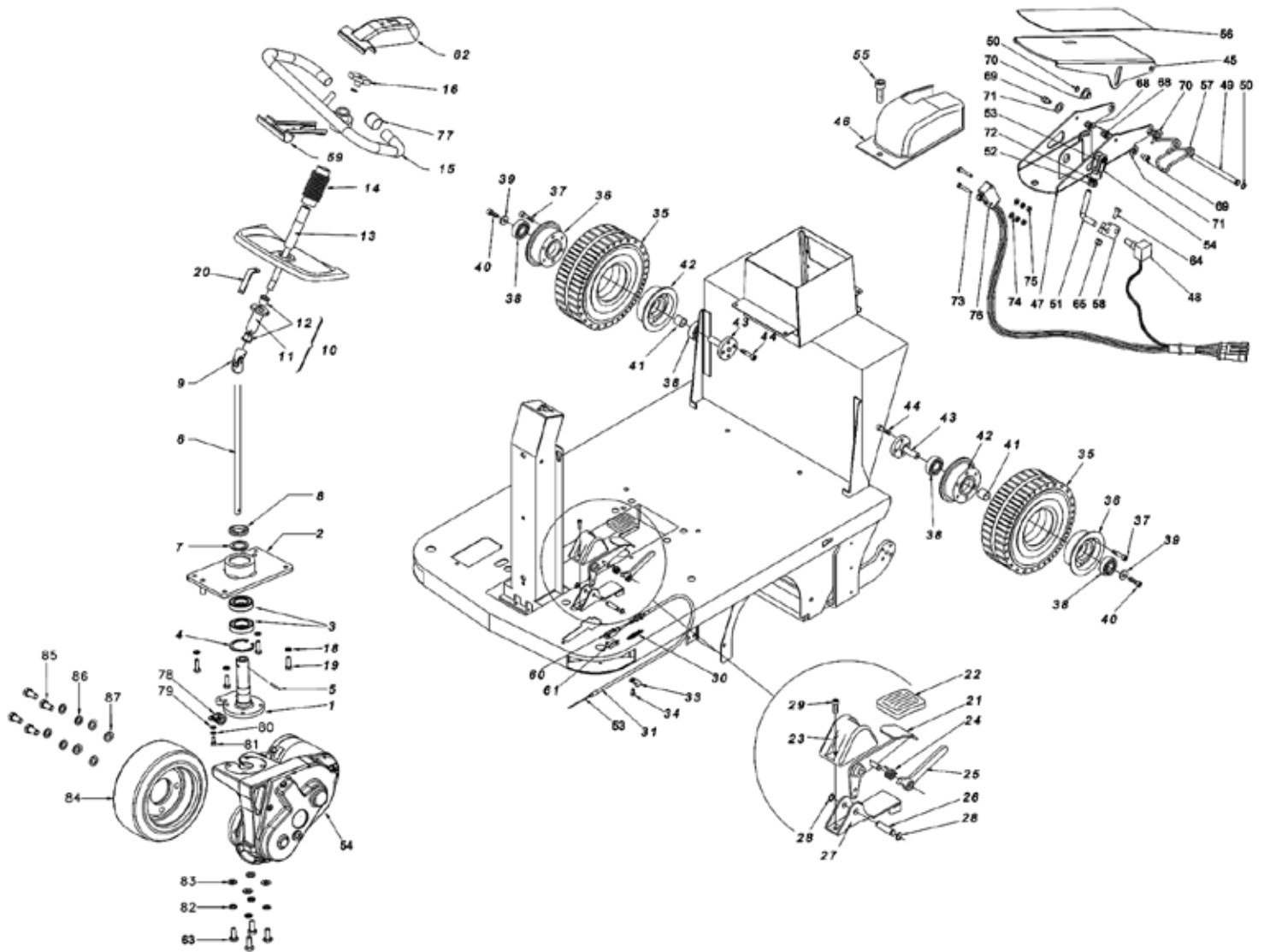
Ref.	Part N.	Description	Quantity	Validity From	Validity To
1	3MTCR00104	CHAIN	1	10/2015	
2	3MTIG00130	PINION 1/2" x 5/16" Z19	1	10/2015	
3	3LAFN08226	CHAIN STRECHER	1	10/2015	
4	3MTIG00129	PINION 1/2" x 5/16" Z10	1	10/2015	
5	3MOCC00461	MOTOR 24VDC 400W	1	10/2015	
6	3MEVR02378	BRUSH	1	10/2015	
7	3LAFN08224	DISC	1	10/2015	
8	3LAFN08225	PLIERS	1	10/2015	

Fore Wheel



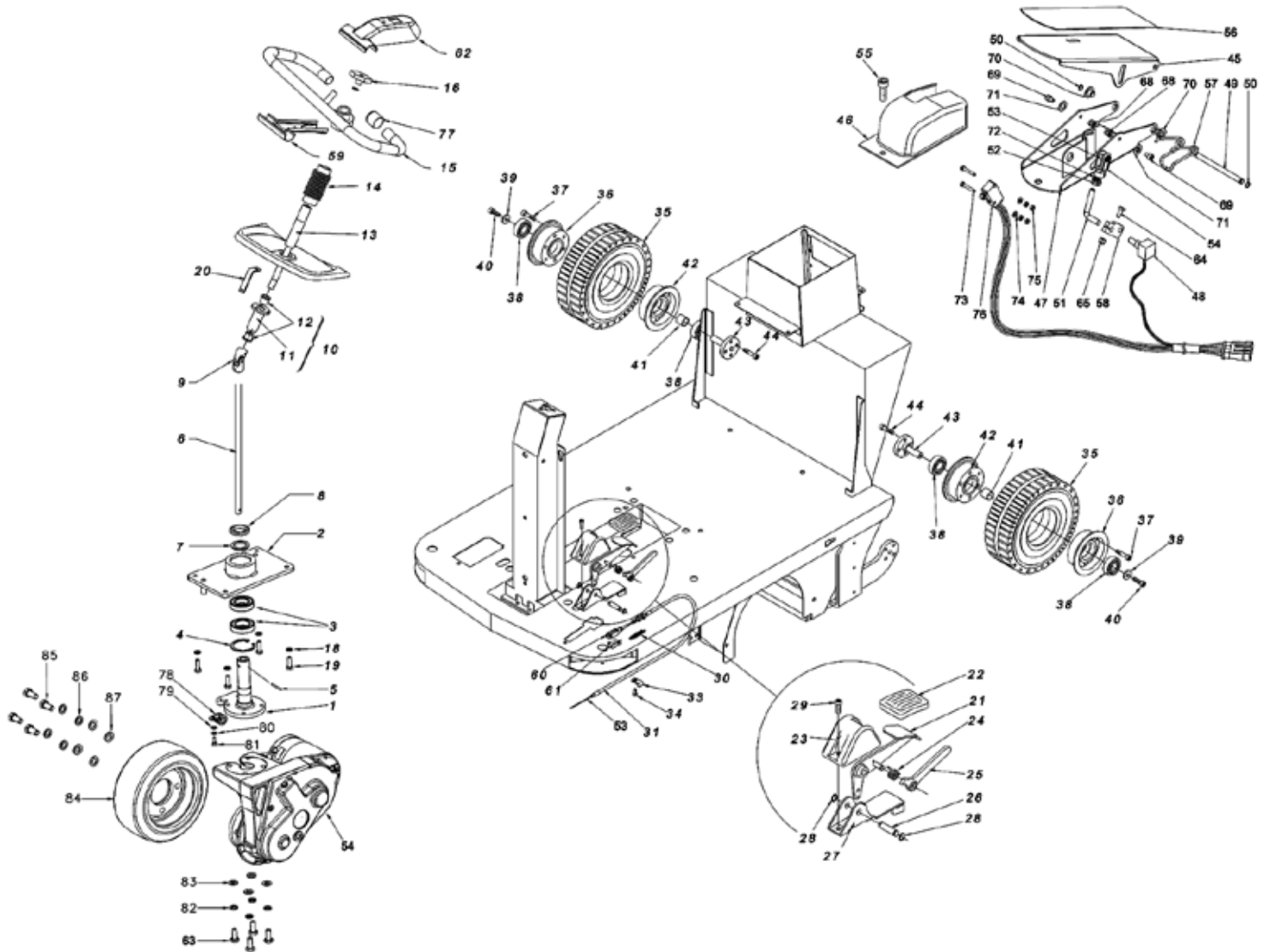
Ref.	Part N.	Description	Quantity	Validity From	Validity To
1	3LAFN00806	SUPPORT DRIVING WHEEL	1		
2	3LAFN01167	DOOR BEARING	1		
3	3CUVR00025	BEARING - 6006 2RS 30X55X13	2		
4	3VTAE00015	SEEGER INTERNAL DIN 472 D.55	1		
5	3VTVR46987	ELASTIC PLUG 5X25 UNI 6873	1		
6	3ALTR00039	SHAFT STEERING	1		
7	3LAFN01173	SPACER FIFTH WHEEL STEERING	1		
8	3VTVT00114	RING NUT - AUTOBLOK M30X1,5 GUK	1		
9	3VTVR00057	ARTICULATION UNIVERSAL	1		
10	3PMTR00077	BUSHING STEERING WHEEL HOLDER	1		
11	3LAFN00149	BUSHING DOOR COLUMN ZIN	1		
12	3LAFN75841	BUSHING TK 1000	2		
13	3ALTR00031	SHAFT WHEEL ZINC.	1		
14	3MPVR47066	PROTECTOR L.14	1		

Fore Wheel



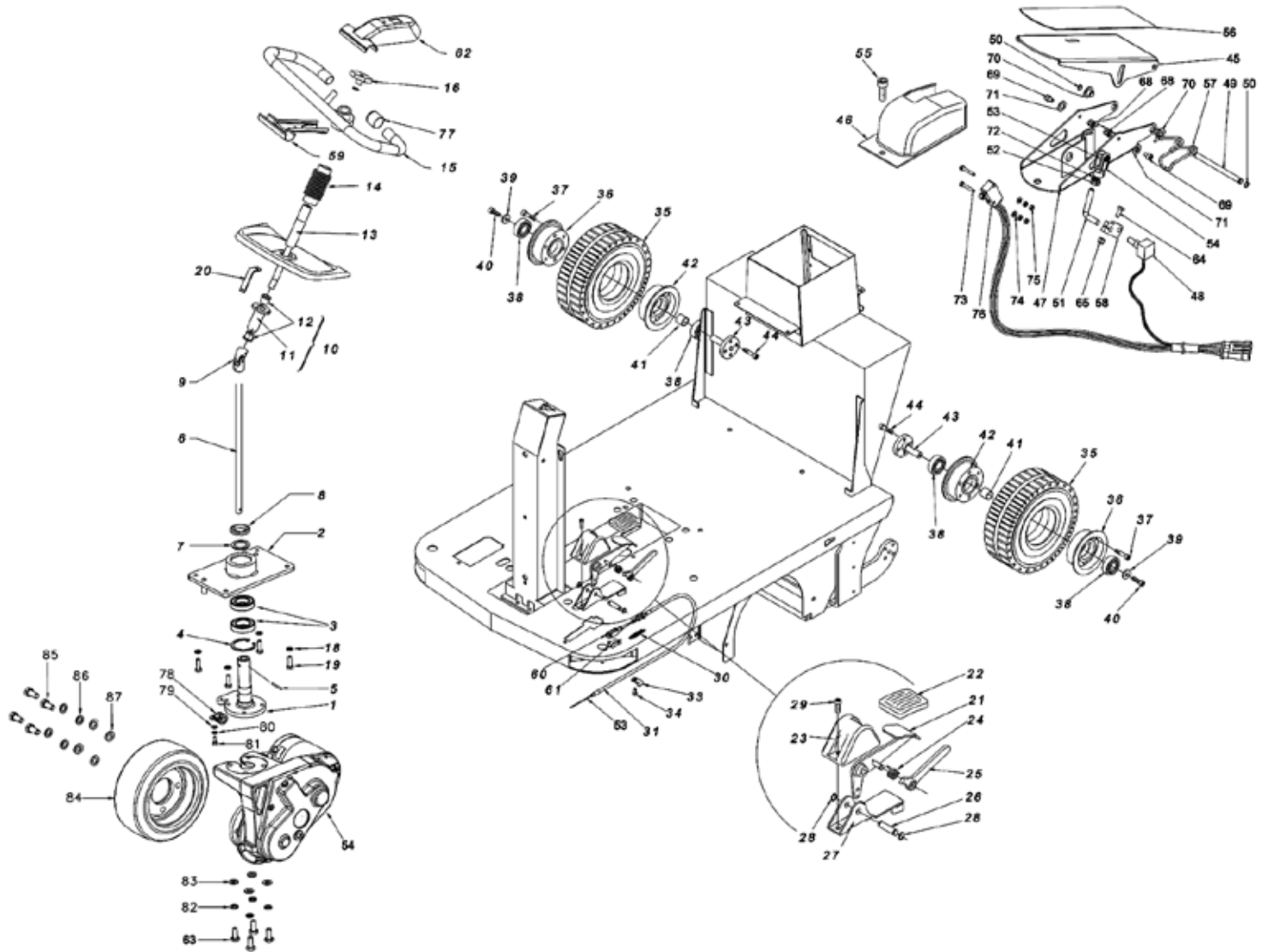
Ref.	Part N.	Description	Quantity	Validity From	Validity To
15	3SESD00022	STEERING WHEEL COMPLETE	1		
16	3LAFN01183	SCREW FIXED WHEEL	1		
17	3VTRS00012	WASHER - UNI 6592 10X21 ZB	1		
18	3VTRS00020	WASHER - GOWER UNI 1751 UNI 1751	4		
19	3VTVT00015	SCREW - TE UNI 5739 8X25 ZB	4		
20	3LAFN01184	BRACKET FIXED PANEL	1		
21	3LAFN00802	PEDAL BRAKE SX	1		
22	3MPVR45096	RUBBER V 1201 GR.	1		
23	3MPVR00303	CRANKCASE BRAKE PEDAL COVER	1		
24	3MLML00035	SPRING PEDAL RECALL B.F.	1		
25	3LAFN01147	PEDAL BLOCK	1		
26	3LAFN00536	PIN BRAKE PEDAL	1		
27	3LAFN00821	SHEET METAL PA.SUPP.BRAKE PEDAL	1		
28	3VTAE87276	SEEGER EXT. - D10 DIN471	2		

Fore Wheel



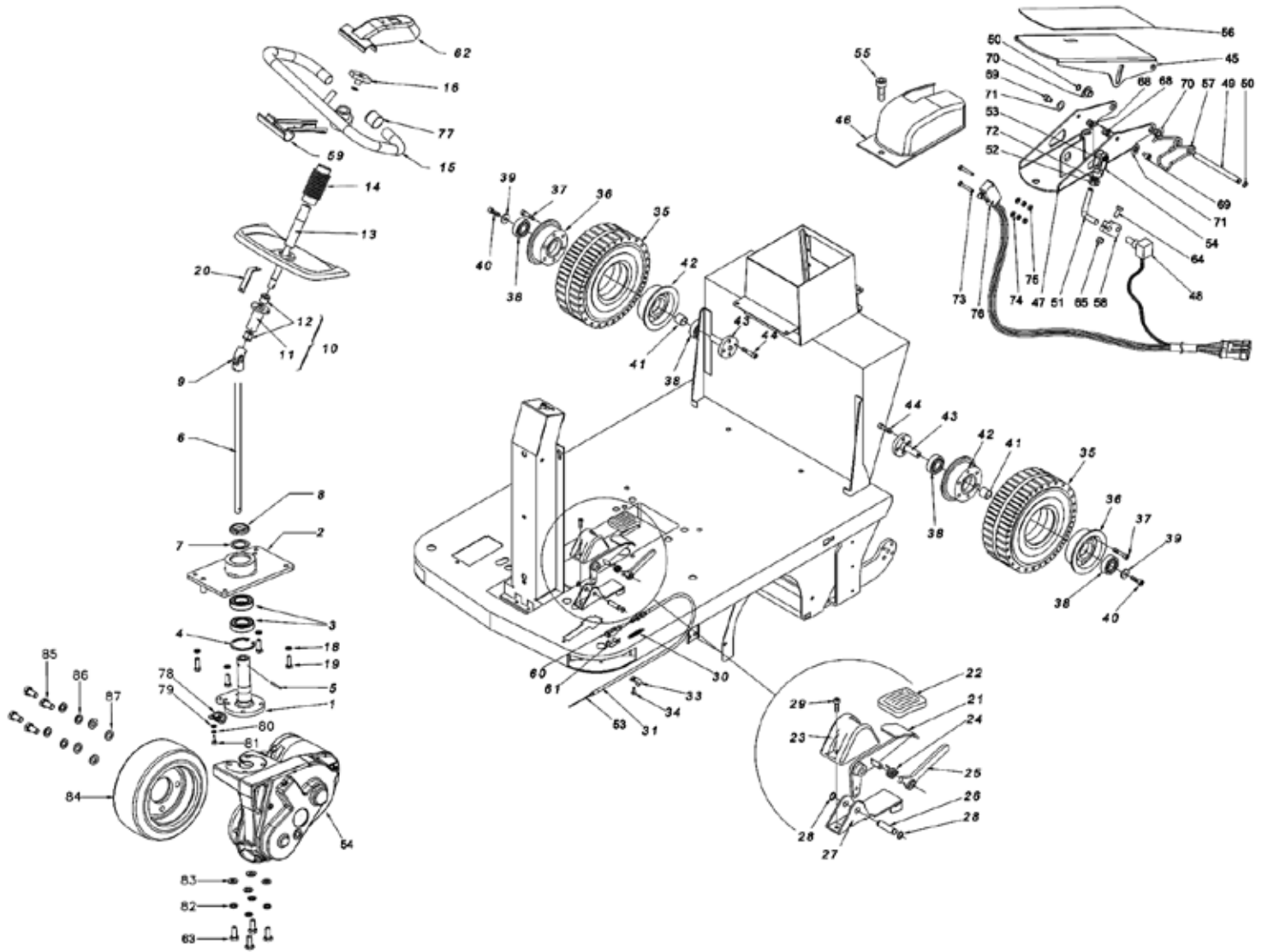
Ref.	Part N.	Description	Quantity	Validity From	Validity To
29	3VTVT09916	SCREW - TBEI M 6X 20 ISO 7380 ZB	1		
30	3MLML45109	SPRING TR D. 12X1.7X79.5	1	09/2012	
31	3CMCV00054	CABLE BRAKE	1		
33	3FSVR00005	CLAMP TYPE " ECO " HOLE MM8 D.1 W0	1		
34	3VTVT75719	SCREW - TE F/ROND. M 6 X 10	1		
35	3RTRT00035	RING RUBBER WHEEL GRAY	2		
36	3LAFN85290	HUB SW 1000 22501004	2		
37	3VTVT00066	SCREW - TCCE UNI 5931 8X25 ZB	12		
38	3CUVR00005	BEARING 6202 2RS	4		
39	3VTRS63242	WASHER - D. 6 X24 ZC	2		
40	3VTVT75726	SCREW - TBEI M 6X 16 ISO 7380 ZB	2		
41	3LAFN00275	SPACER INTERNAL WHEEL POST.	2		
42	3LAFN85380	HUB SW 1000E/S 22501005	2		
43	3LAFN00530	WHEEL PIN BACK AWAY	2		

Fore Wheel



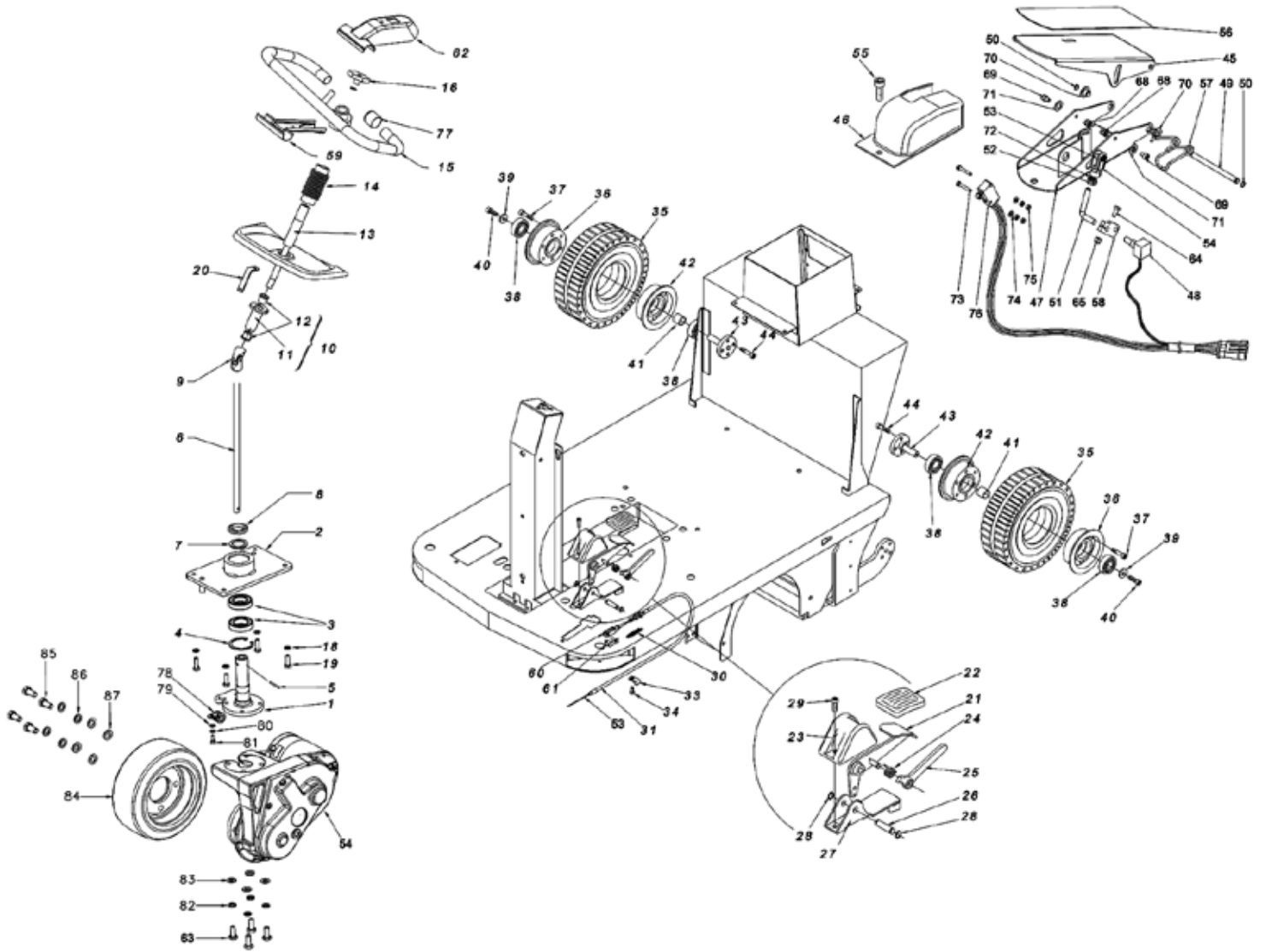
Ref.	Part N.	Description	Quantity	Validity From	Validity To
44	3VTVT45340	SCREW - TSPEI 8X16 UNI5933	8		
45	3LAFN06474	SHEET METAL PA.PEDAL	1		
46	3MPVR00302	CRANKCASE FOOT FORWARD	1		
47	3LAFN07532	BUSHING	1		
48	3MECB01227	WIRING ACCELERATOR	1		
49	3LAFN00524	PIN PEDAL	1		
50	3VTAE48552	CIRCLIP - D. 6 UNI 7435	2		
51	3LAFN00909	BRACKET ROD PEDAL	1		
52	3VTDD00482	NUT - M 6 ZIN UNI 5588	1		
53	3CMCV76639	FORK - M 6 UNI 1676	2		
54	3CMCV75717	CLIP - UNI 1676 M6	2		
55	3VTVT62920	SCREW - TE F/ROND. M 6X 16 ZB	1		
56	3MPVR00866	PLANE SLIP	1		
57	3MLML00034	SPRING - PEDAL ADVANCE	1		

Fore Wheel



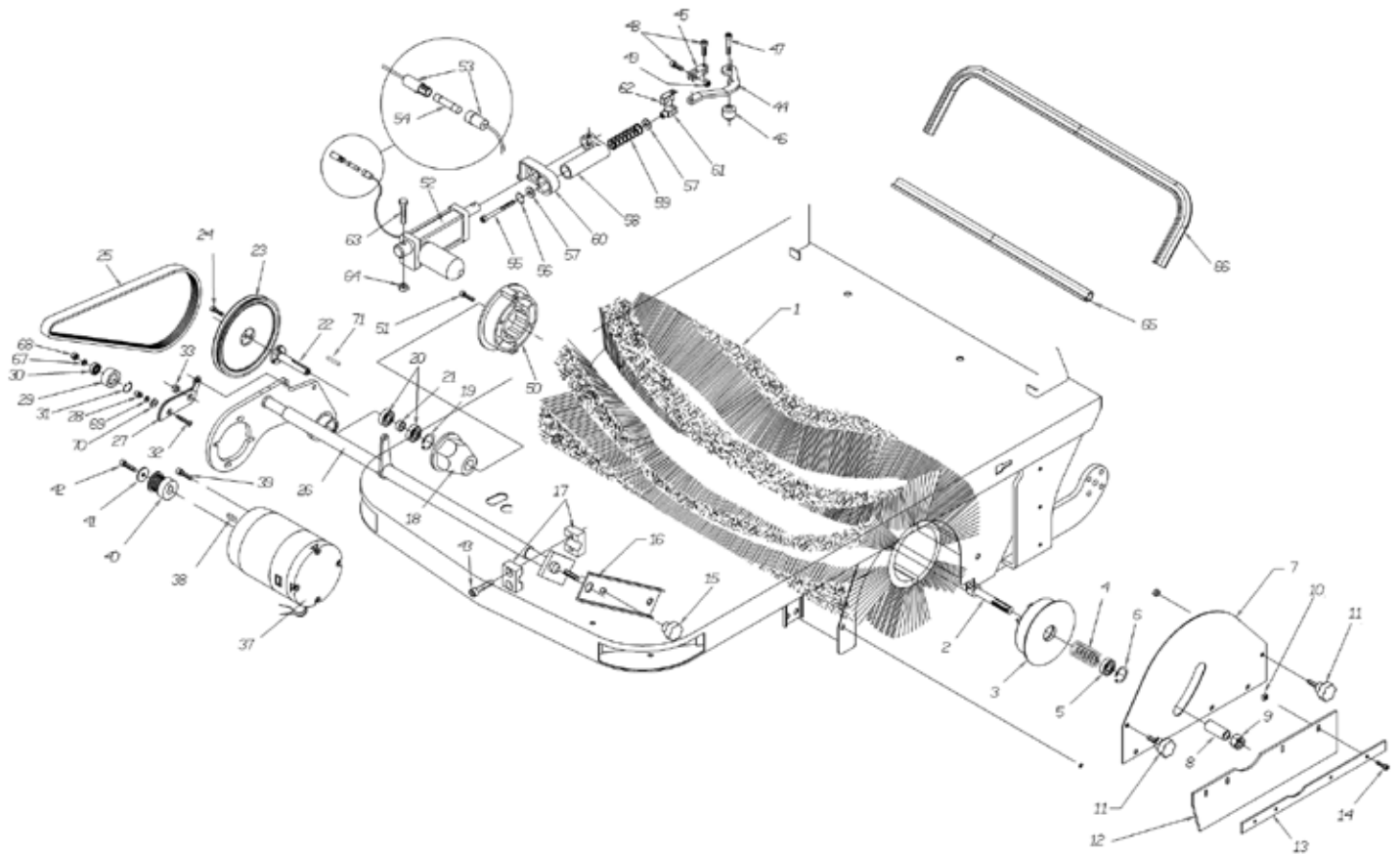
Ref.	Part N.	Description	Quantity	Validity From	Validity To
58	3LAFN01149	CONNECTING ROD - PEDAL ADVANCE	1		
59	3MPVR04653	COVER LOWER WHEEL	1		
60	3CMCV00006	FORK - UNI 1676 M6X24	1		
61	3CMCV00009	CLIP - UNI 1676	1		
62	3MPVR04652	COVER	1		
63	3LAFN07038	ASSEMBLED	1		
64	3VTVT00727	SCREW - TE M. 4-20	1		
65	3VTDD04369	NUT - M 4 TEF UNI 7473	1		
68	3VTDD04369	NUT - M 4 TEF UNI 7473	2		
69	3VTVT00089	SCREW - TCCE UNI 5931 4X10 ZB	2		
70	3CUVR00183	BUSHING	2		
71	3MPVR05528	WASHER	2		
72	3VTRS01079	WASHER - D. 6 GROWER	1		
73	3VTVT01350	SCREW - M3-20 INOX	2		

Fore Wheel



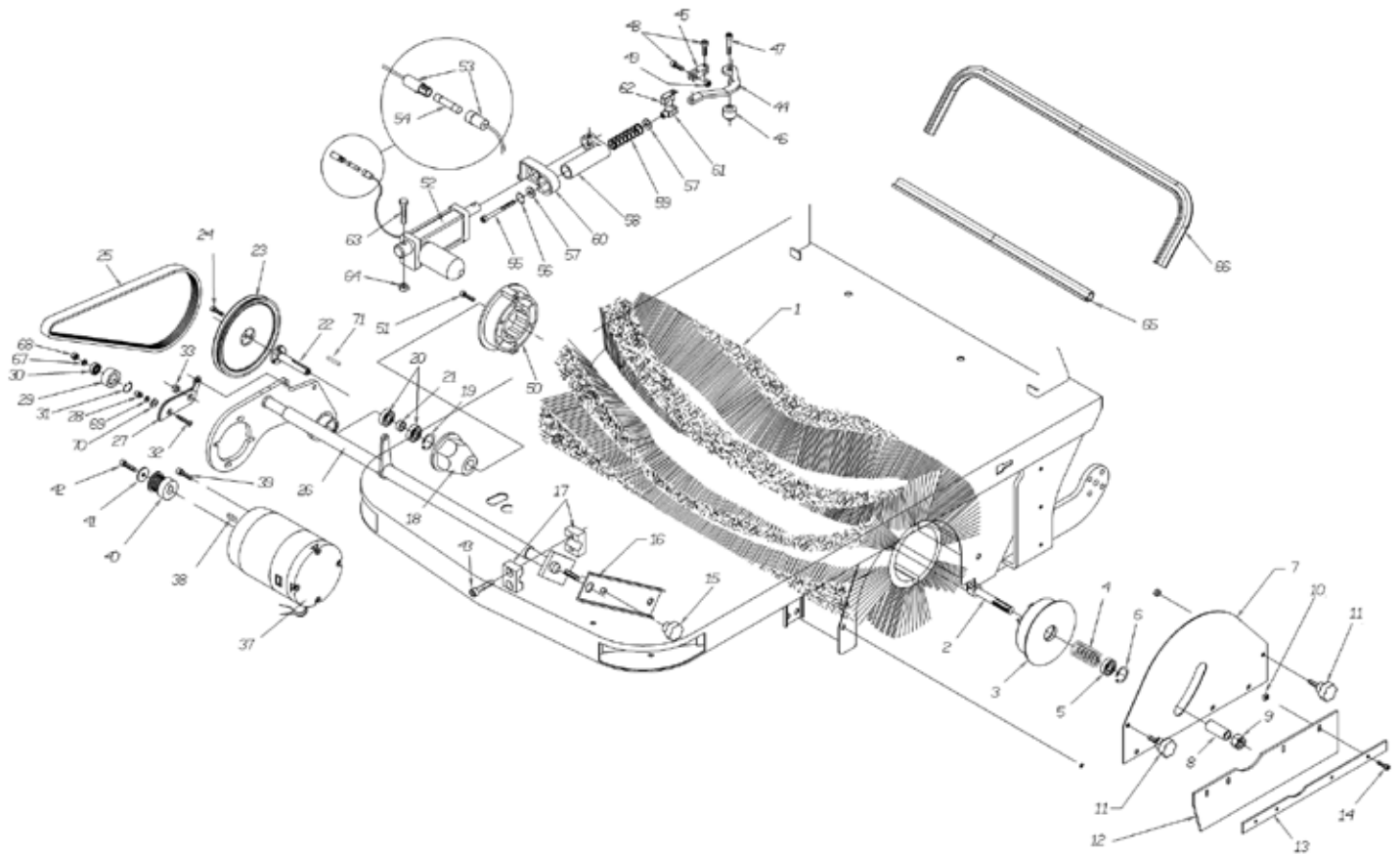
Ref.	Part N.	Description	Quantity	Validity From	Validity To
74	3VTRS00117	WASHER - 3.2X7 UNI6592	2		
75	3VTDD21115	NUT - M 3 INOX	4		
76	3MECB01228	WIRING	1		
77	3MPVR05256	CAP GPN-280 ER32	2		

Central Brush



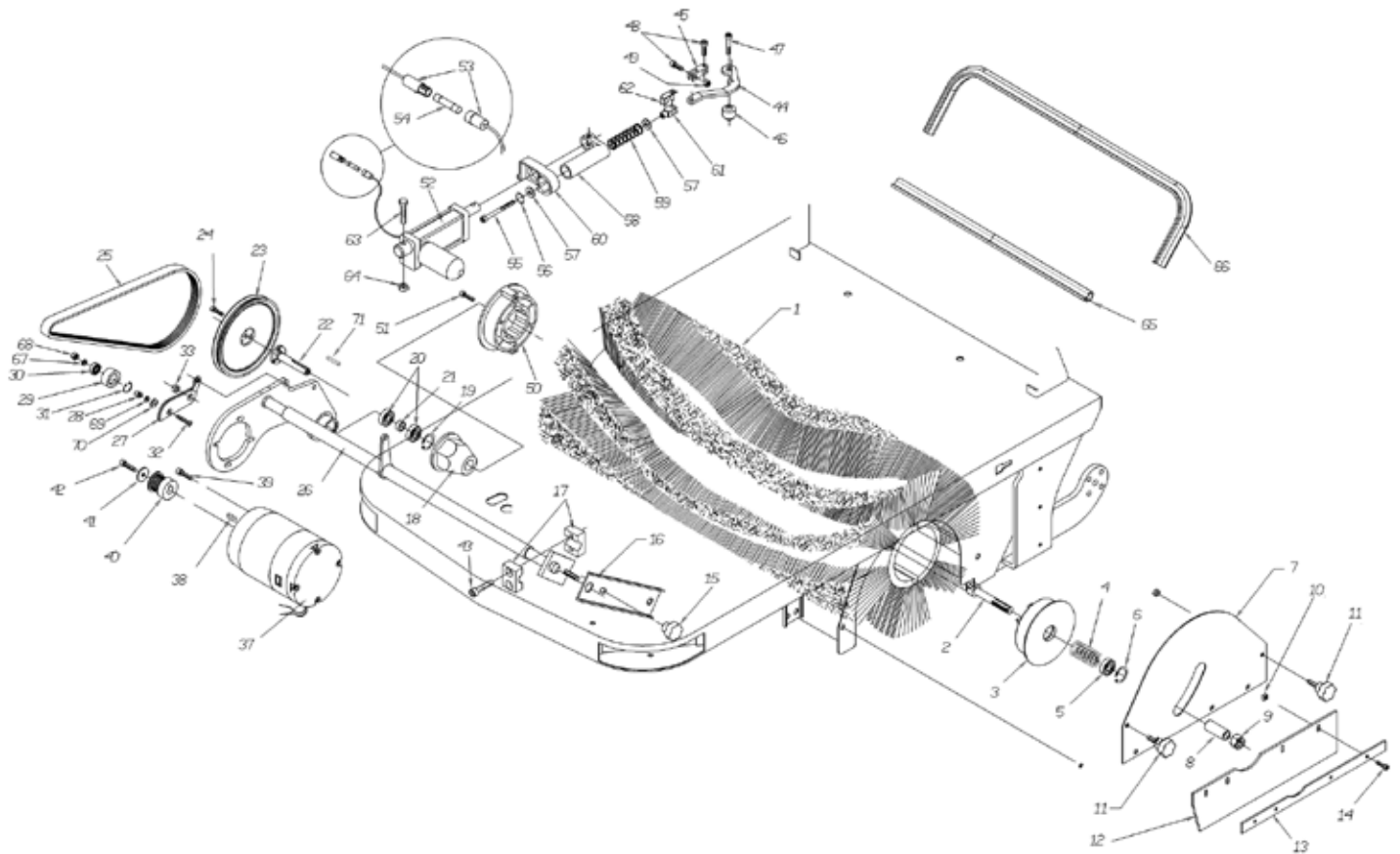
Ref.	Part N.	Description	Quantity	Validity From	Validity To
1	3SPPV00056	CENTRAL BRUSH D.280X640 6R0.PPL 0.5/1.2	1		
2	3VTVT00131	SCREW - TCCE UNI 5931 12X60 ZB	1		
3	3LAFN44772	FLANGE L.1400	1		
4	3MLML45098	SPRING - D. 25X38	1		
5	3CUVR46942	BALL BEARING 6001-2RS1 -SKF	1		
6	3VTAE00010	CIRCLIP INTERNAL DIN 472 D.28	1		
7	3LAFN06356	PLANE CENTRAL BRUSH	1		
8	3LAFN01169	SPACER S.C.	1		
9	3VTDD00012	NUT -DIN 985 M12 ZB	1		
10	3VTVR47015	INSERT PLS. D.3	4		
11	3RTRT00022	HANDWHEEL D.30 M6X15	2		
12	3MPVR04709	FLAP SIDE	1		
13	3LAFN00325	CLAMP FLAP LATER.ZINC.	1		
14	3VTVT00044	SCREW TC AF.X PLAS UNI9707 4X16	4		

Central Brush



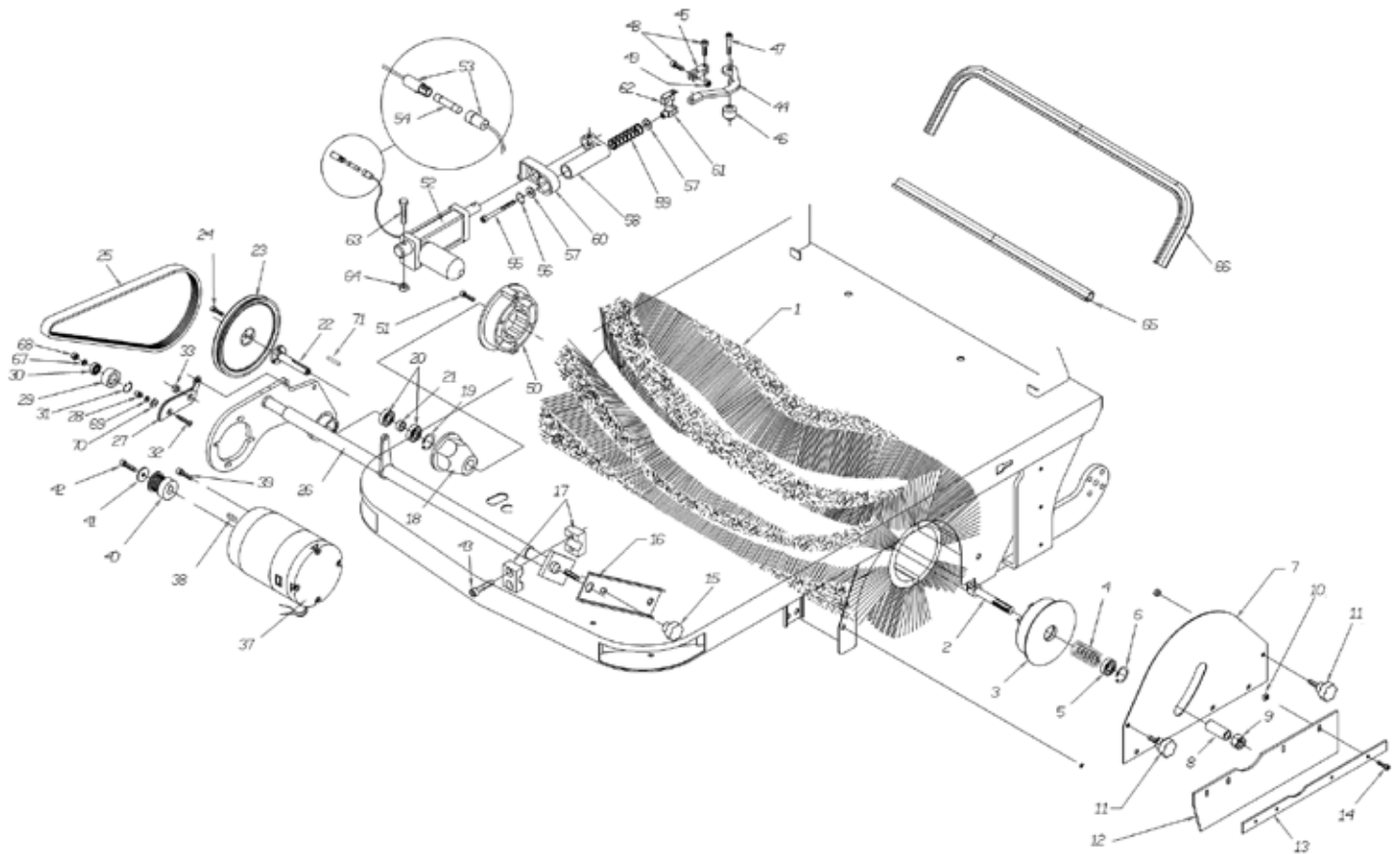
Ref.	Part N.	Description	Quantity	Validity From	Validity To
15	3VTVT00124	HANDWHEEL D.40 M8	1		
16	3LAFN00816	ARM ASPORT.BRUSH.CENTR.ZINC.	1		
17	3LAFN47055	HOSE COLLAR C3 D.18	4		
18	3LAFN44774	HUB	1		
19	3VTAE00010	CIRCLIP DIN 472 D.28	1		
20	3CUVR46942	BALL - BEARING 6001-2RS1 -SKF	2		
21	3LAFN46932	SPACER L.14	1		
22	3LAFN00531	BRUSH PIN CENTRAL	1		
23	3MTPL00023	PULLEY CENTRAL BRUSH	1		
24	3VTVT75725	SCREW - TBEI M 6X 10 ISO 7380 ZB	3		
25	3MTCG00018	BELT - POLY V 723 J	1		
26	3LAFN00804	ARM BRUSH HOLDER.CENTR. ZIN	1		
27	3LAFN07759	REINFORCEMENT	1		
28	3LAFN00527	PIN BEARING.TENDICING	1		

Central Brush



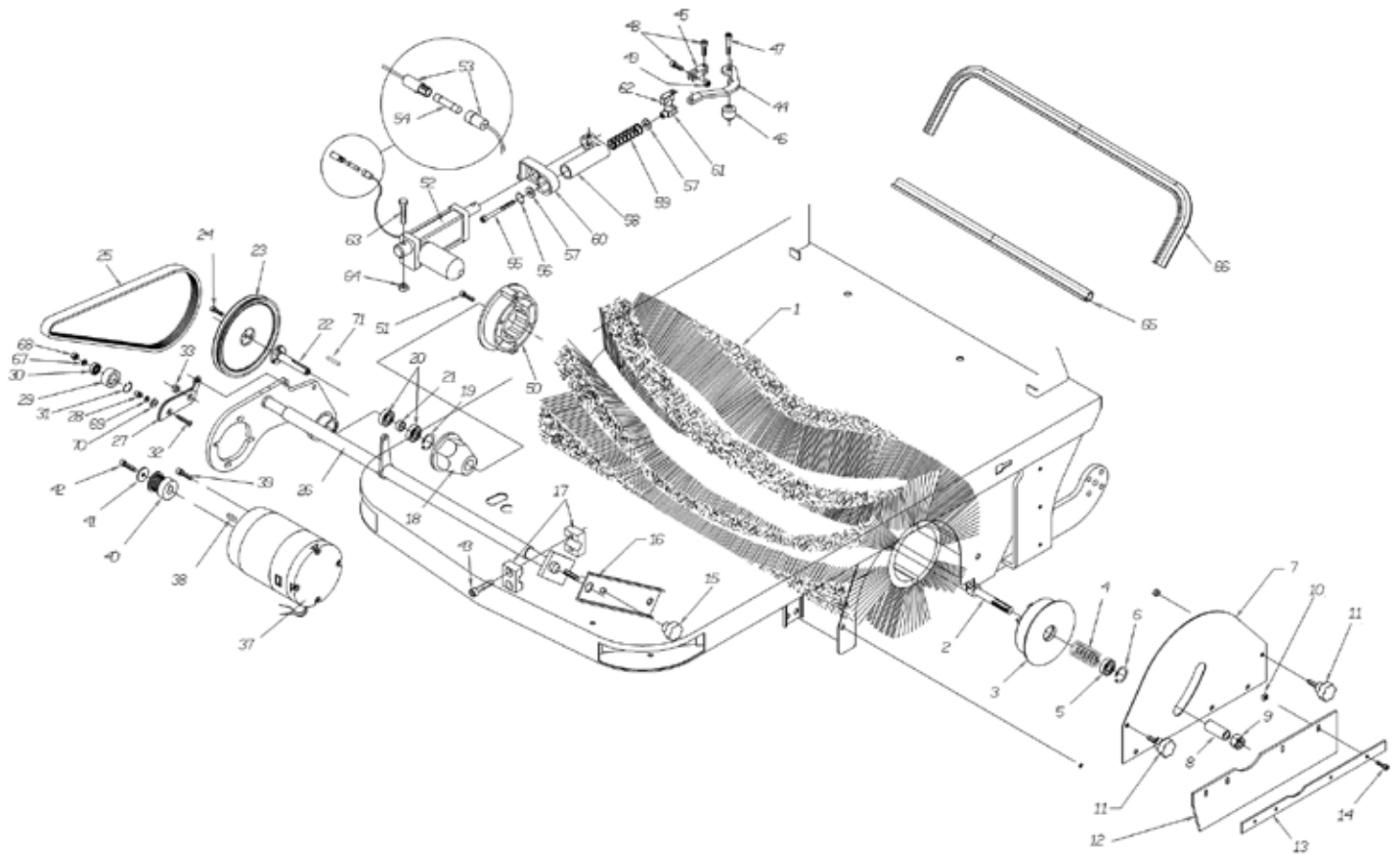
Ref.	Part N.	Description	Quantity	Validity From	Validity To
29	3LAFN00636	ROLLER BELT TENSIONNER	1		
30	3CUVR71988	BEARING 608 2RS	1		
31	3VTAE13513	CIRCLIP - D. 26 UNI 7437	1		
32	3VTVT00075	SCREW - TSCE UNI 5933 5X20 ZB	1		
33	3LAFN01168	BUSHING PIN BELT TENSIONNER	1		
37	3MOCC00297	MOTOR 300W	1		
38	3VTVR13165	KEY - 5X5X20	1		
39	3VTVT06237	SCREW - TCEI 6X20 UNI5931	4		
40	3MTPL00022	MOTOR PULLEY CENTRAL BRUSH	1		
41	3VTRS63242	WASHER - D. 6 X24 ZC	1		
42	3VTVT75725	SCREW - TBEI M 6X 10 ISO 7380 ZB	1		
43	3VTVT06236	SCREW TCEI 6X40 UNI5931	4		
44	3LAFN00358	LEVER TRANSMISSION MAIN BRUSH	1		
45	3LAFN00359	LINK-ROD	1		

Central Brush



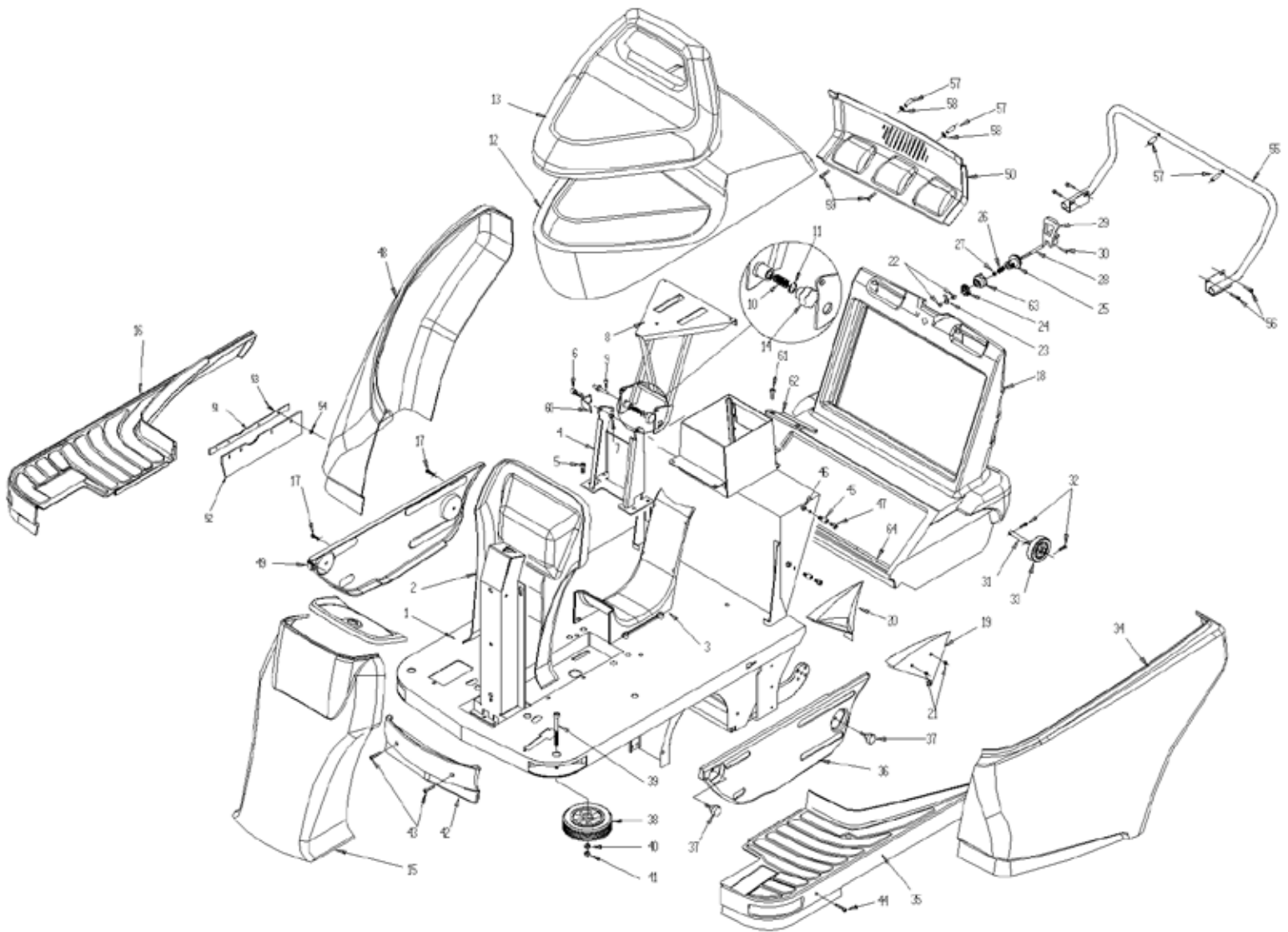
Ref.	Part N.	Description	Quantity	Validity From	Validity To
46	3LAFN00533	PIN LEVER TRANSMISSION BRUSH CENT	1		
47	3VTVT63029	SCREW TCEI M 6X 35 UNI 5931 ZB	1		
48	3VTVT00104	SCREW TE UNI 5739 6X18 ZB	2		
49	3VTDD19688	NUT M6 UNI 7473	2		
50	3LAFN45099	DRIVE DISK TK1400	1		
51	3VTVT01705	SCREW 4X45 UNI 9709	2	04/2015	
52	3MOCC00009	ATUATOR CENTRAL BRUSH	1		
53	3MEVR00080	FUSE-HOLDER PV610 10A	1		
54	3MEVR00079	FUSE 3.15A 250V 5X20	1		
55	3VTVT37013	SCREW TE M 6X100 UNI 5737	1		
56	3VTAE00009	SEEGER INTERNAL DIN 472 D.20	1		
57	3LAFN00124	BUSHING BATTING CYLINDER	2		
58	3MPVR45279	CASE TK1400	1		
59	3MLML00018	SPRING D.20X2X81 X CILIND.STAB.	1		

Central Brush



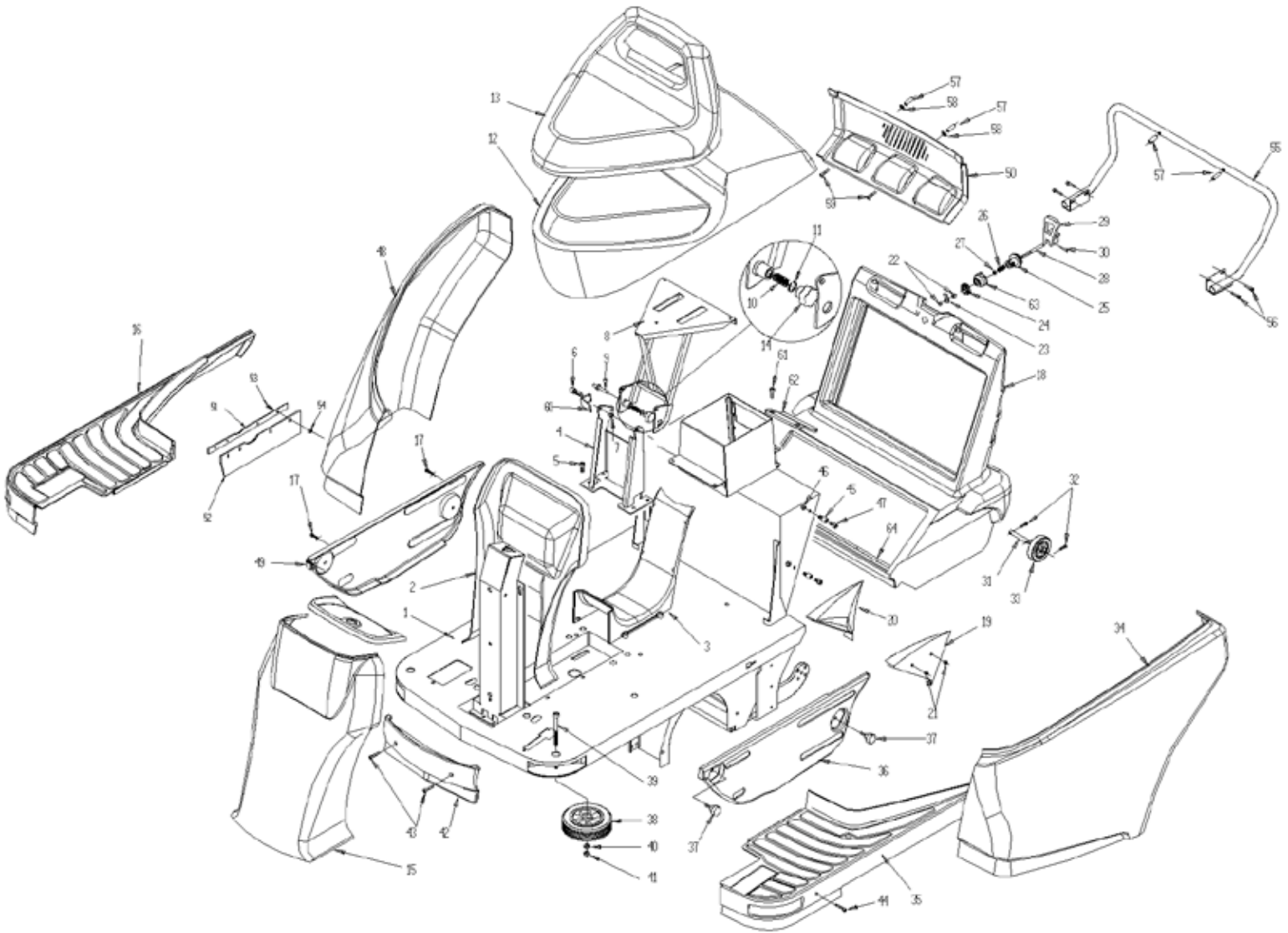
Ref.	Part N.	Description	Quantity	Validity From	Validity To
60	3LAFN00756	GUIDE CASE SPRING BRUSH CENTR.	1		
61	3CMCV00006	FORK UNI 1676 M6X24	1		
62	3CMCV00009	CLIP UNI 1676	1		
63	3VTVT00017	SCREW TE UNI 5739 8X35 ZB	1		
64	3VTDD87083	NUT AUTO BLOCK M8 DIN 985 ZB	1		
65	3GUVR00010	GASKET	0.7		
66	3GUVR00010	GASKET	1.1		
67	3VTRS00502	WASHER D. 5 0.466 UNI 6592	1		
68	3VTDD00040	NUT M5 UNI7474	1		
69	3VTRS00502	WASHER D. 5 0.466 UNI 6592	1		
70	3VTRS00503	WASHER D. 6 TE UNI 6798	1		
71	3VTVR00006	KEY UNI 6604 4X4X35	1		

Crankcase



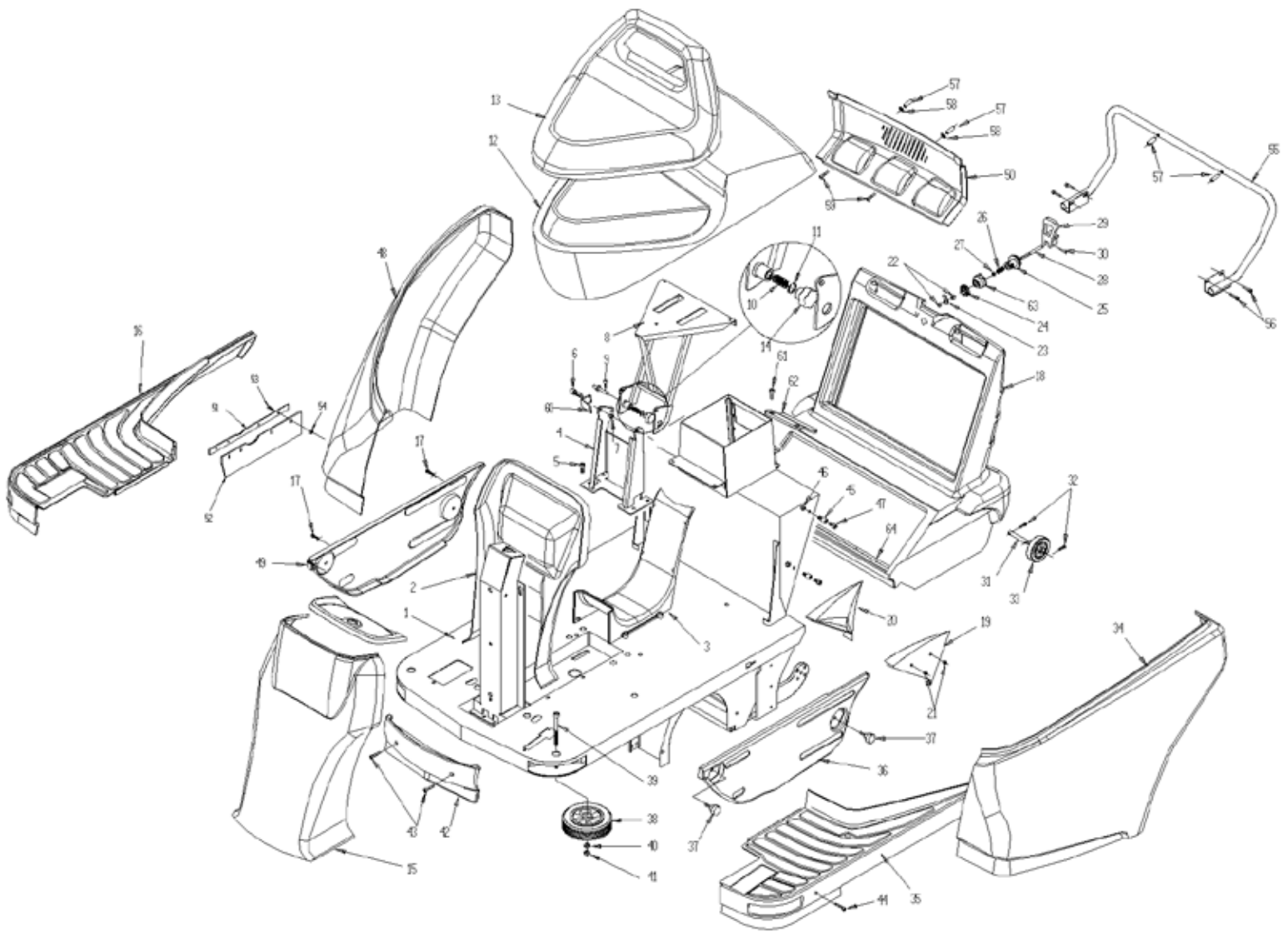
Ref.	Part N.	Description	Quantity	Validity From	Validity To
1	3LAFN01029	FRAME PAINTED	1		
2	3MPVR00859	CRANKCASE FRONT INTERNAL	1		
3	3MPVR00851	CENTRAL TUNNEL	1		
4	3LAFN01153	COLUMN PORT SEAT	1		
5	3VTVT29810	SCREW - TCEI M 8X20 UNI 5931	4		
6	3VTVT00456	SCREW - TE 10X25 UNI5739	2		
7	3VTDD00042	NUT - AUT.M10 UNI7474	2		
8	3LAFN01151	PEDAL	1		
9	3LAFN00526	PIN DOOR LOCK SEAT	1		
10	3MLML00028	SPRING PIVOT DOOR LOCK SEAT	1		
11	3VTAE00016	CIRCLIP DIN 472 D.13	1		
12	3MPVR00857	HOOD TOP	1		
13	3MPVR00850	SEAT	1		
14	3VTVT00127	HANDWHEEL D.30 M6	1		

Crankcase



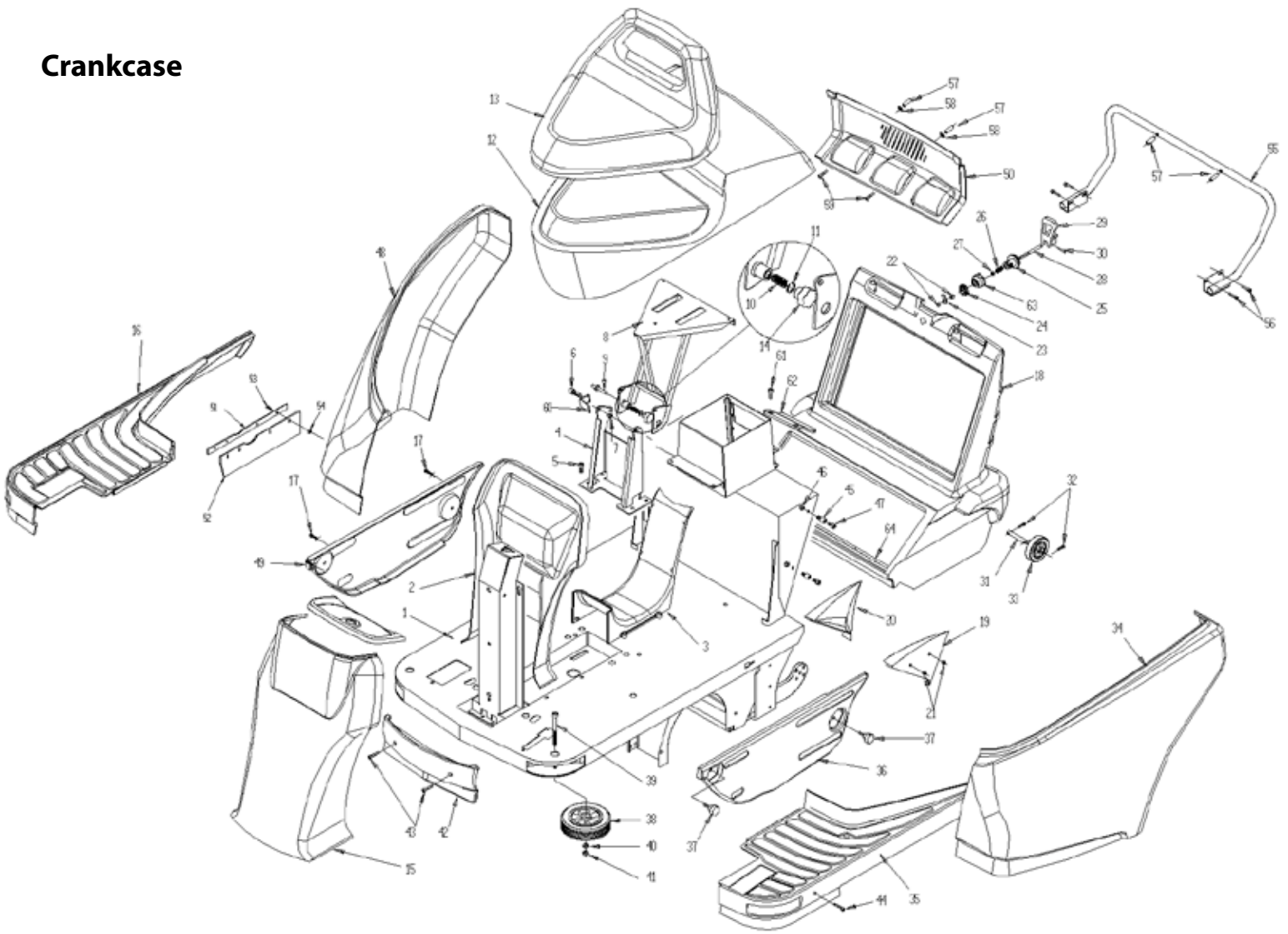
Ref.	Part N.	Description	Quantity	Validity From	Validity To
15	3MPVR05082	CRANKCASE OUTSIDE FRONT	1		
16	3MPVR00853	PLANE DX	1		
17	3VTVT09916	SCREW - TBEI M 6X 20 ISO 7380 ZB	2		
18	3MPVR00304	DRAWER WASTE	1		
19	3PMVR00501	CONVEYOR DRAWER SX	1		
20	3PMVR00502	CONVEYOR DRAWER DX	1		
21	3VTDD00010	NUT DIN 985 M6 BASS	4		
22	3VTDD13261	NUT - M 8X1 UNI 5589	2		
23	3LAFN01177	BRACKET STOP DRAWER	1		
25	3LAFN00338	RING NUT HOOK DRAWER	1		
26	3MLML00036	SPRING HOOK DRAWER	1		
27	3LAFN75909	SPACER - D.12 H.3.5	1		
28	3LAFN00525	PIN TIE	1		

Crankcase



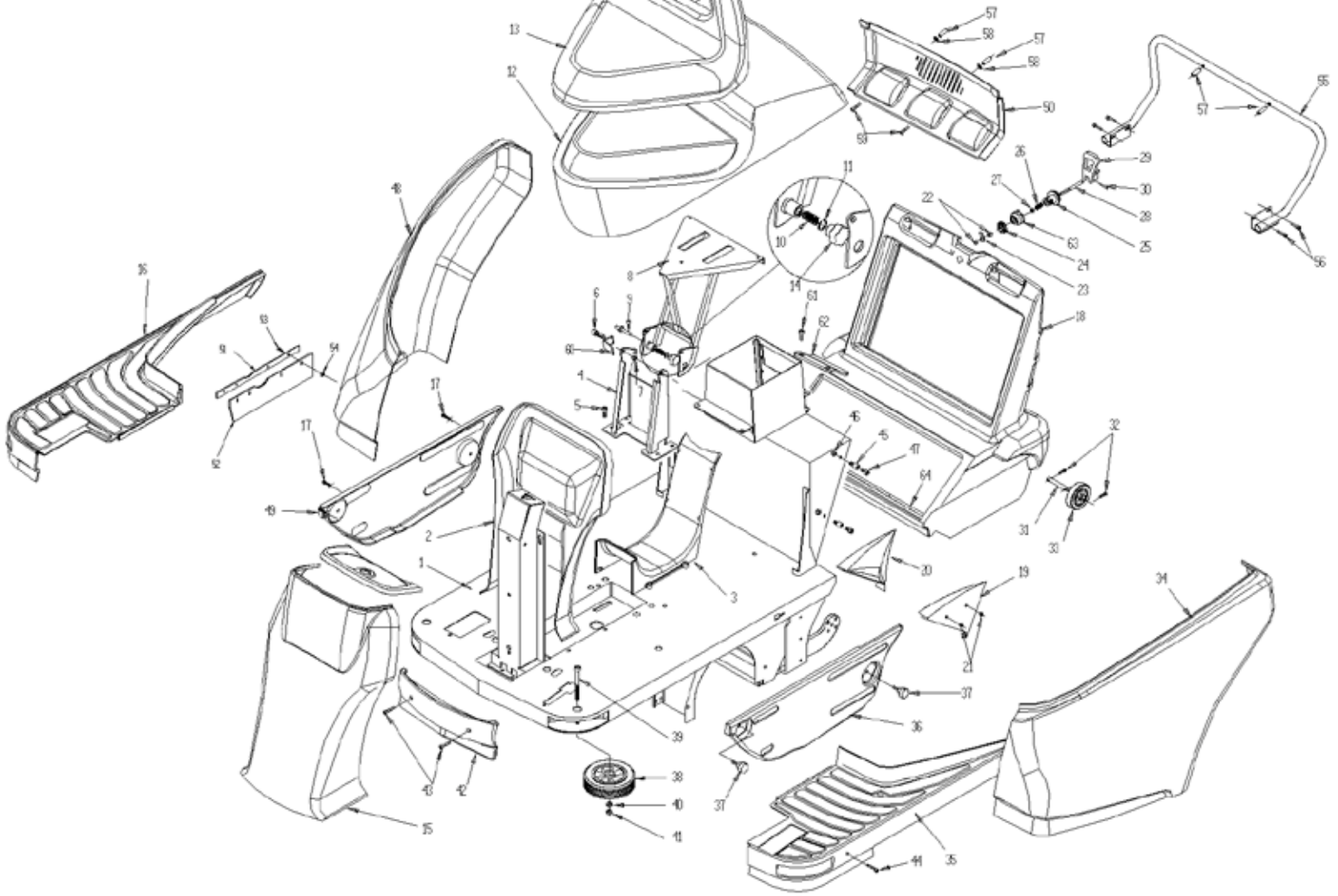
Ref.	Part N.	Description	Quantity	Validity From	Validity To
29	3MPVR00865	HANDLE WASTE TRAY	1		
30	3VTVR00055	PLUG - D.4 H.32	1		
31	3LAFN00532	WHEEL PIN TRAY	2		
32	3VTVT19236	SCREW - TCEI 5X20 UNI 5931	4		
33	3RTRT00016	WHEEL - LOOSE 80/30/G BLACK	2		
34	3MPVR05080	SIDE BODY PANEL	1		
35	3MPVR00854	PLANE - SX	1		
36	3MPVR00856	PLANE - SX	1		
37	3VTVT00125	HANDWHEEL - D.40 M6X15	2		
38	3RTRT00038	WHEEL - D.150X32	2		
39	3VTVT01575	CARRYING BAG	2		
40	3VTRS00012	WASHER - UNI 6592 10X21 ZB	2		
41	3VTDD00011	NUT - 985 M10	2		

Crankcase



Ref.	Part N.	Description	Quantity	Validity From	Validity To
42	3MPVR00852	BUMPER BACK	1		
43	3VTVT00034	SCREW - TBCE ISO 7380 6X35 ZB	2		
44	3VTVT09916	SCREW - TBEI M 6X 20 ISO 7380 ZB	4		
45	3LAFN01187	SPACER FIXED SIDE	4		
46	3VTDD00010	NUT - 985 M6 BASS	4		
47	3VTVT75725	SCREW - TBEI M 6X 10 ISO 7380 ZB	4		
48	3MPVR05081	SIDE BODY PANEL - RIGHT	1		
49	3MPVR00855	PLANE - DX	1		
50	3MPVR05083	CRANKCASE TOP FAN	1		
51	3LAFN10992	DUST COVER SUPPORT	1		
52	3MPVR05092	FLAP - PORT	1		
53	3VTVT45339	SCREW - TBEI M 5X 16 ISO 7380 ZB	4		
54	3VTDD78364	NUT - M5 LOCKING	4		
55	3LAFN10991	BUMPER REAR	1		
56	3VTVT00527	SCREW - TE FR 6X10 ZB ZIG.	4		
57	3LAFN10994	SPACER FIXED BUMPER	2		

Crankcase



Ref.	Part N.	Description	Quantity	Validity From	Validity To
58	3VTRS00512	WASHER - D. 8 X24 ZC.	2		
59	3VTVT28306	SCREW - TCEI 8X45 UNI5931	2		
60	3LAFN01188	BRACKET FIXED HULL	2		
61	3VTVT08937	SCREW - TCEI 6X10	2		
62	3LAFN07037	BRACKET CENTERING DRAWER	1		
63	3LAFN07036	CONE CENTERING DRAWER	1		
64	3LAFN06694	SHEET METAL PA. REINFORCEMENT DRAWER	1		

