

Parts Manual Manuel de pièces



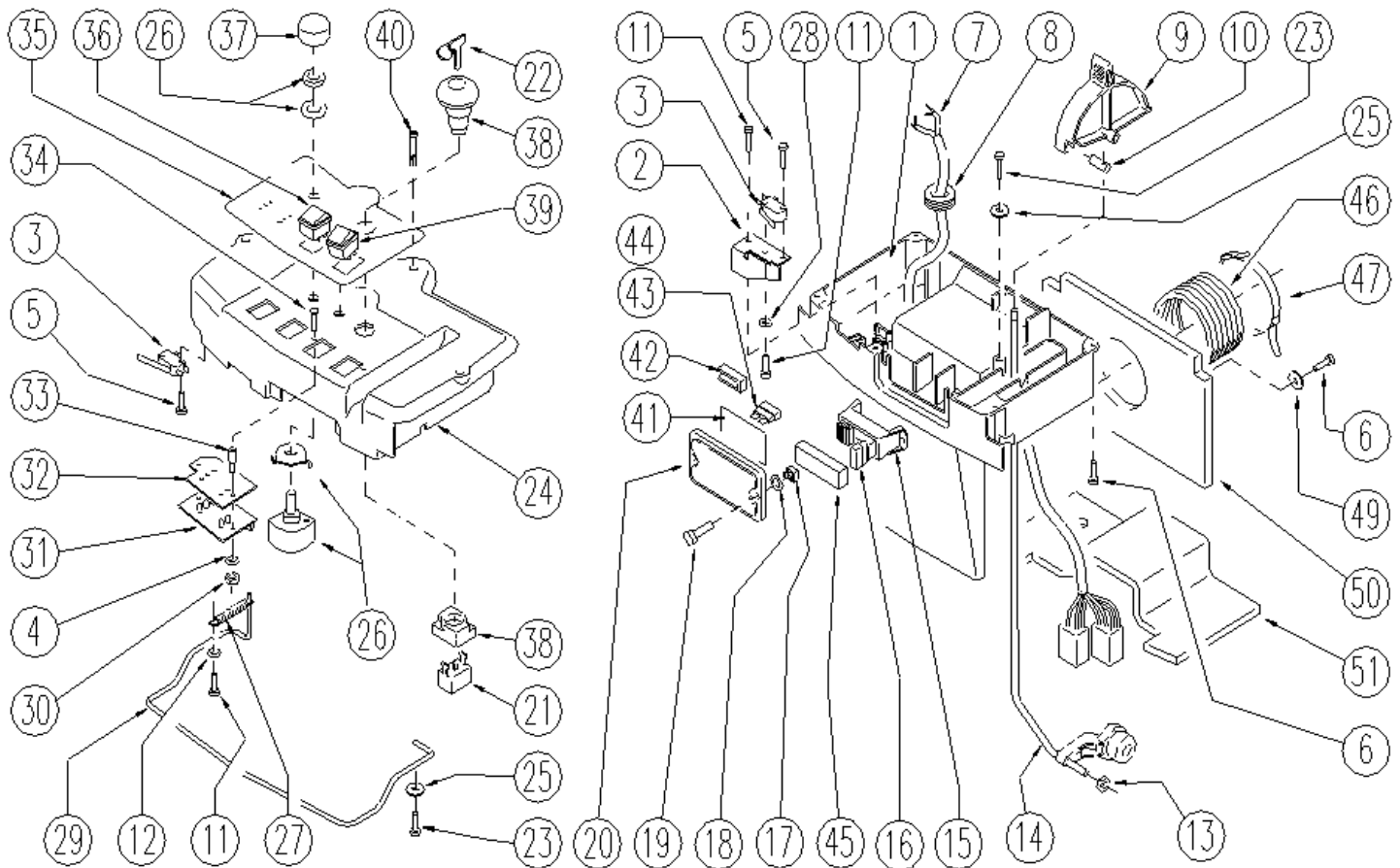
Hurricane 850 XTT

Autoscrubbers
Code: 19324

Serial Number:
Numéro de série : _____

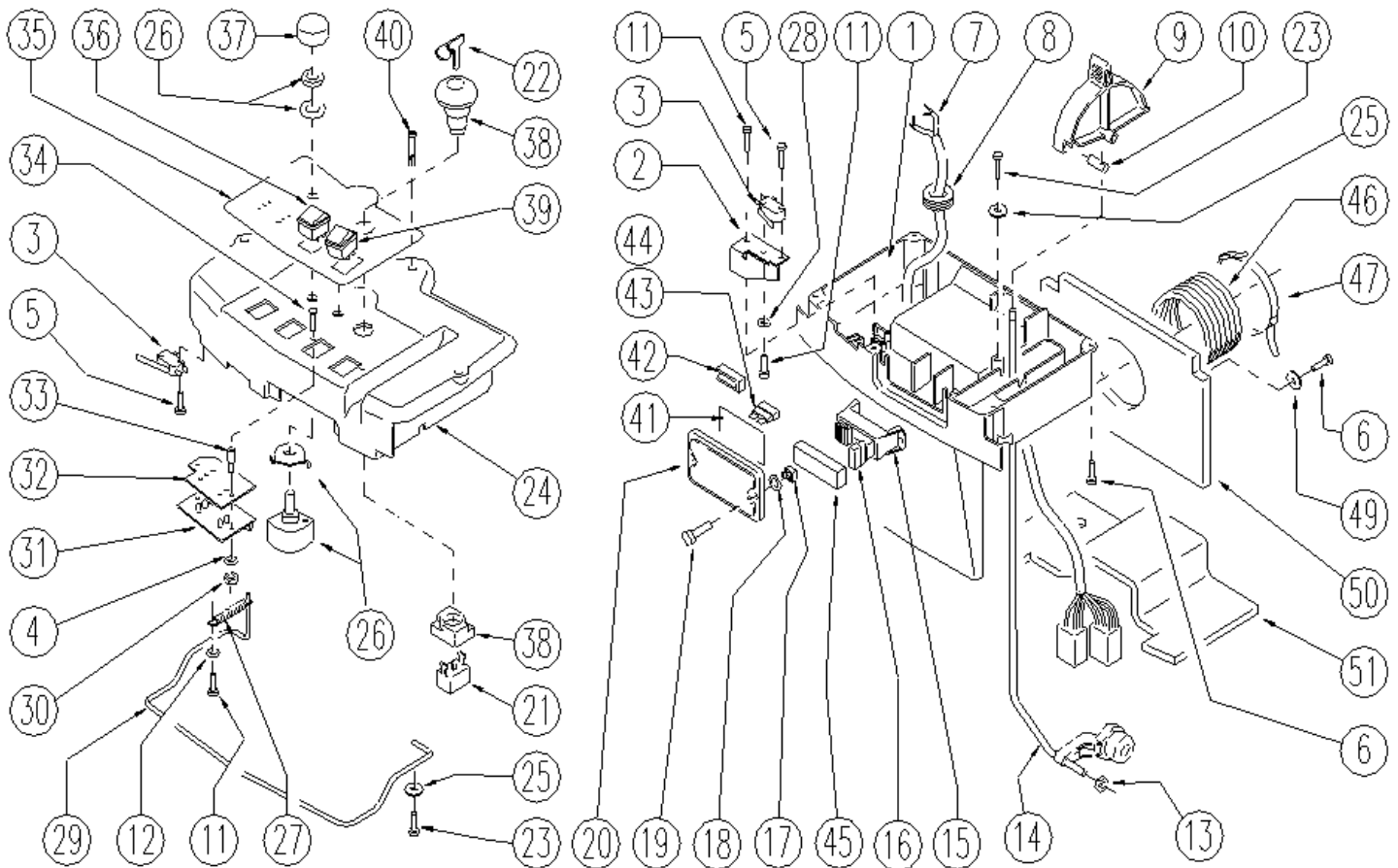
Date of Purchase:
Date d'achat : _____

Electrical Installation



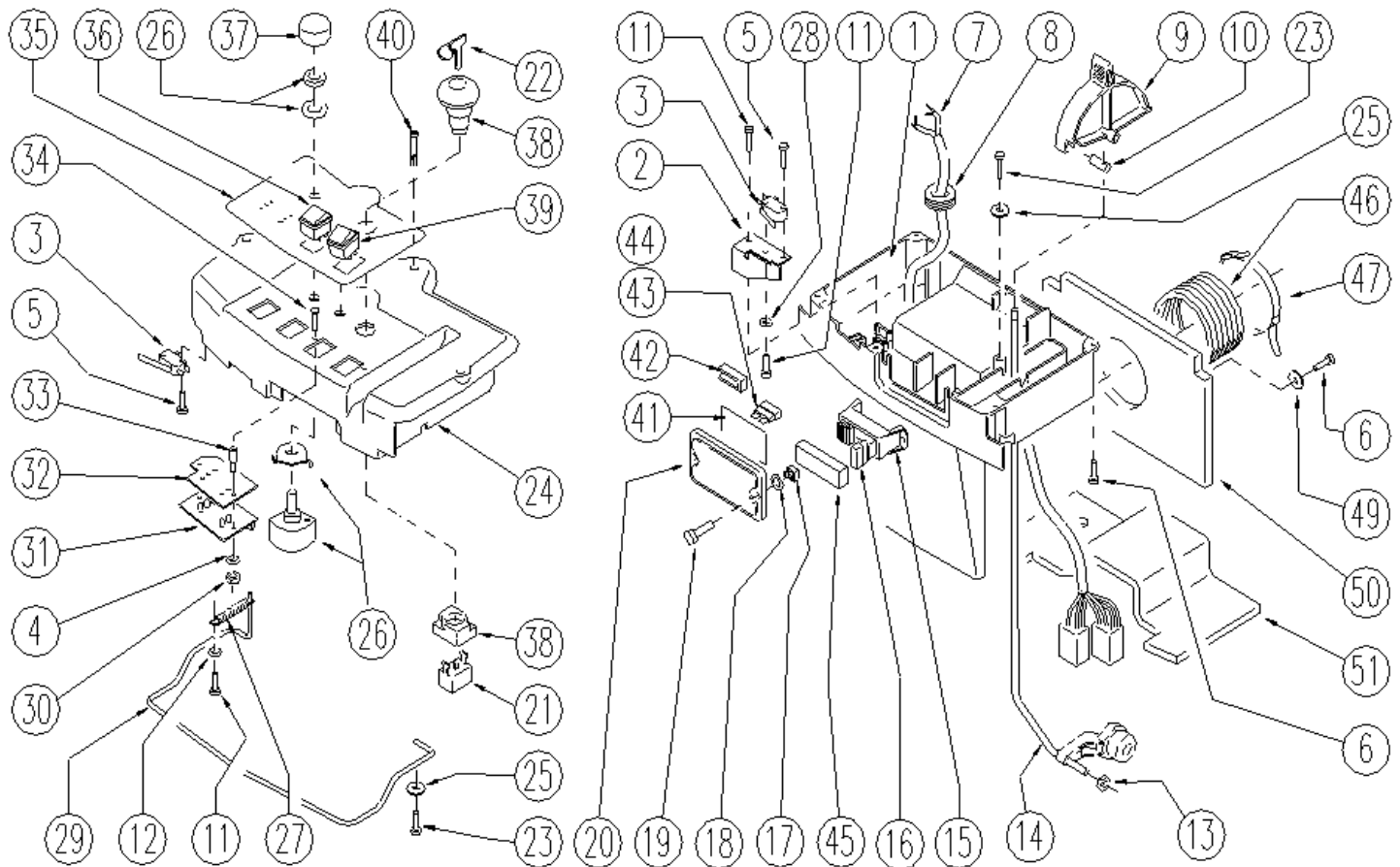
Ref.	Part N.	Description	Quantity	Validity From	Validity To
1	3MPVR03843	PANEL COMANDI INFER.	1		
2	3LAFN05615	SPRING LEVA ANTISCH./SUPP. MICRO	1	03/2004	
3	3MECI00310	MICROSWITCH	3	03/2004	
4	3VTRS00268	WASHER D.3	2	03/2004	
5	3VTVT00744	SCREW	6	03/2004	
6	3VTVT28553	SCREW TCB-TC 3.5X16	6	03/2004	
7	3MECB00773	CABLE PANNELLO COMANDI	1		
8	3MEVR01331	FAIR-LEAD PVC	1	03/2004	
9	3MPVR03845	LEVER REGOLAZ.	1	03/2004	
10	3LAFN05103	ARTICULATION SUPERIORE	1	03/2004	
11	3VTVT00820	SCREW TC+ M.3,5-10	5	03/2004	
12	3VTRS15958	WASHER D. 5 X15 UNI 6593	1	03/2004	
13	3VTDD00157	NUT M. 6 DIN 985 ZN	1		
14	3LAFN05645	ROD SUPERIORE RUBINETTO	1		
15	3MEVR01387	BODY SENZA TERMINALI	1	03/2004	
16	3MEVR01132	FUSE A LAMA 5 A.	4	03/2004	
17	3VTDD00167	NUT M.6	2	03/2004	
18	3GUGO00150	NUT	4	03/2004	

Electrical Installation



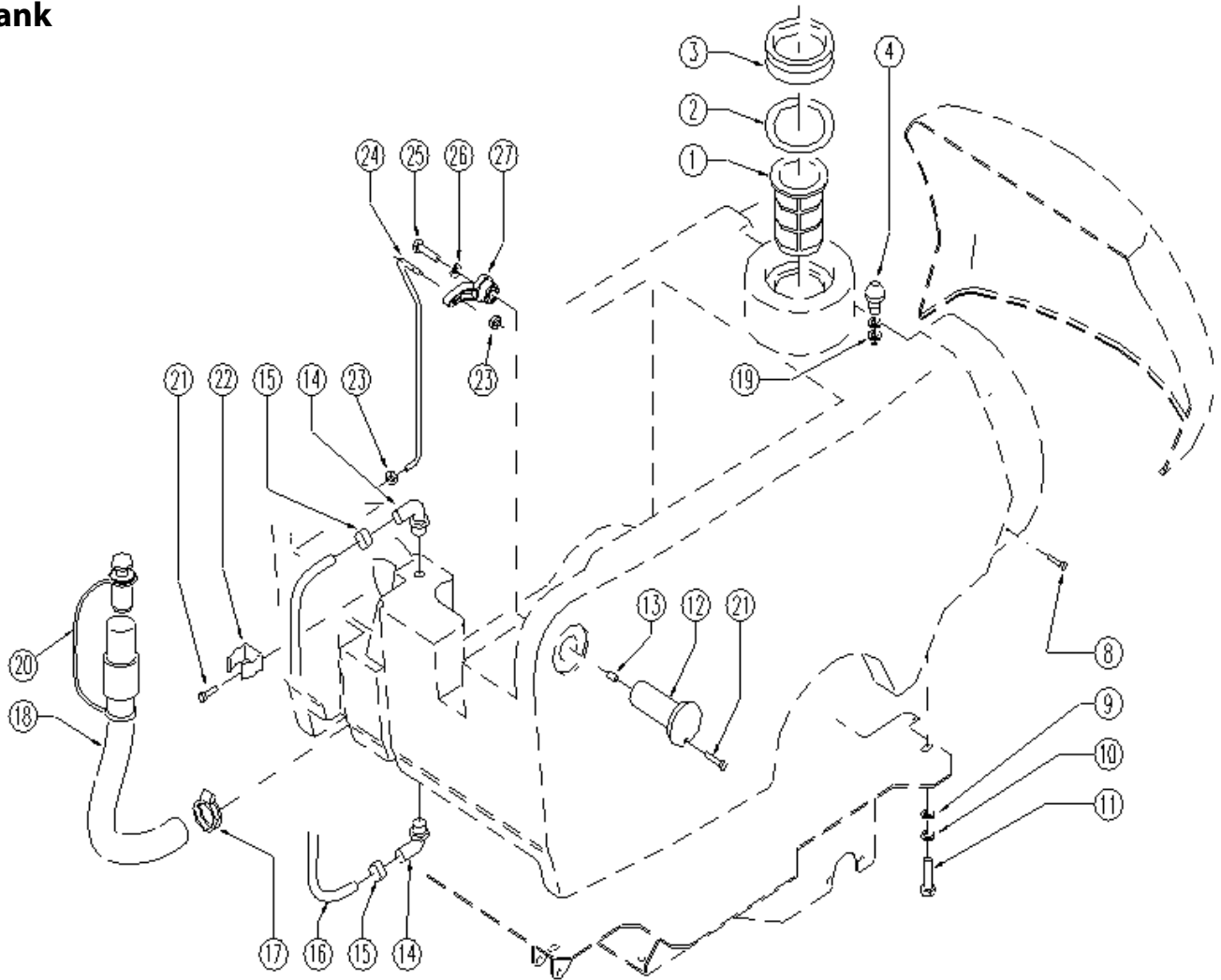
Ref.	Part N.	Description	Quantity	Validity From	Validity To
19	3VTVT00858	SCREW 6X20	2	03/2004	
20	3MPVR35628	COVER LAV.	1	03/2004	
21	3MECI00403	CONTACT -	1		
22	3CHVR00051	DIASASS.SPANNERPULSANTE FUNGO	1		
23	3VTVT07859	SCREW TCB-TC 3.5X13 UNI6954	2		
24	3MPVR03841	PANEL COMANDI SUPER.	1		
25	3VTRS13750	WASHER D. 5X14 INX	2		
26	3MEVR01432	POTENTIOMETER A FILO	1	03/2004	
27	3MLML00196	SPRING PER GIUNTO HS NADIR	1	03/2004	
28	3VTRS00501	WASHER D. 4 0.232 UNI 6592	1	03/2004	
29	3LAFN05584	LEVER TRAZIONE	1	03/2004	
30	3VTDD21115	NUT M 3 INOX	2	03/2004	
31	3MECE00345	BOARD LED INGR.POTENZ.+RESET	1		
32	3MPVR02781	PLATE LED	1	03/2004	
33	3LAFN04047	SPACER X SCHEDE M3 15x8x8	2	03/2004	
34	3VTVT00865	SCREW TSP-TC M 3X 6 UNI7688 INX	2	03/2004	
35	3ETET01263	LABEL PANN.COMANDI	1	03/2004	
36	3MECI46638	COMMUTAT.SWITCH0.CT. 0401/C2	1	03/2004	

Electrical Installation



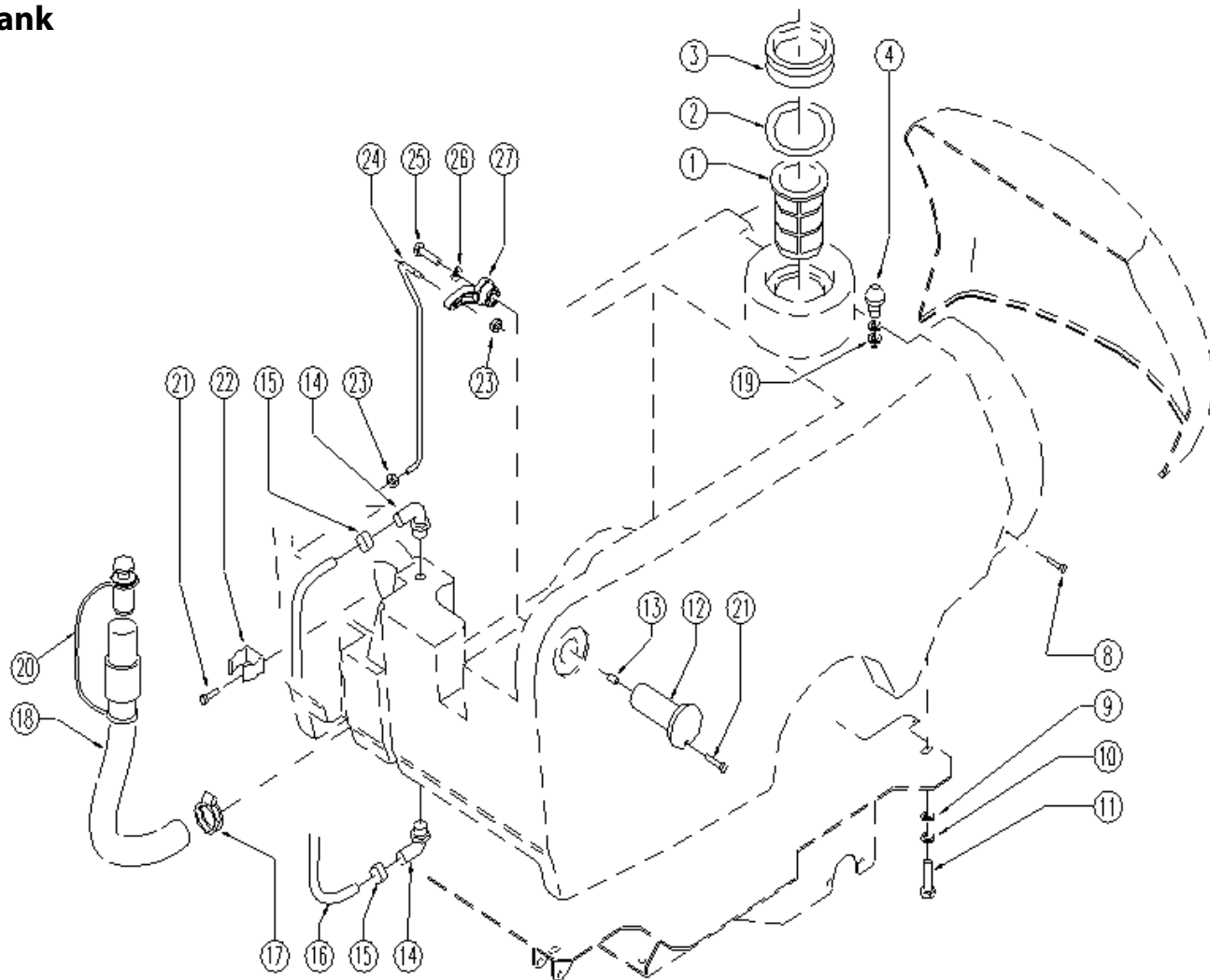
Ref.	Part N.	Description	Quantity	Validity From	Validity To
37	3MPVR36404	KNOB SPECTROL 635M.NE	1	03/2004	
38	3MECI00323	BUTTON FUNGO	1		
39	3MECI00309	SWITCH	1	03/2004	
40	3MPVR02940	KLIP D. 6,5 L=15	1	03/2004	
41	3ETET01328	LABEL AVVERTENZA FUSIBILI	1	03/2004	
42	3MEVR01153	FUSE FUSIBILI	1	03/2004	
43	3MEVR01316	FUSE A LAMA 10 A. 32V	1	03/2004	
44	3MEVR01380	FUSE A LAMA	1	03/2004	
45	3MEVR01383	COVER PVC TRASP.	1	03/2004	
46	3TBBP00225	TUBE D 80-320 MM	1		
47	3FSVR00083	CLAMP 62-82	1		
49	3VTRS00291	WASHER D. 5 X20 ZC UNI 6593	2	03/2004	
50	3ITSO00031	SOUND-PROOFING WALL	1	03/2004	
51	3ITSO00032	SOUND-PROOFING WALL	1	03/2004	

Water Tank



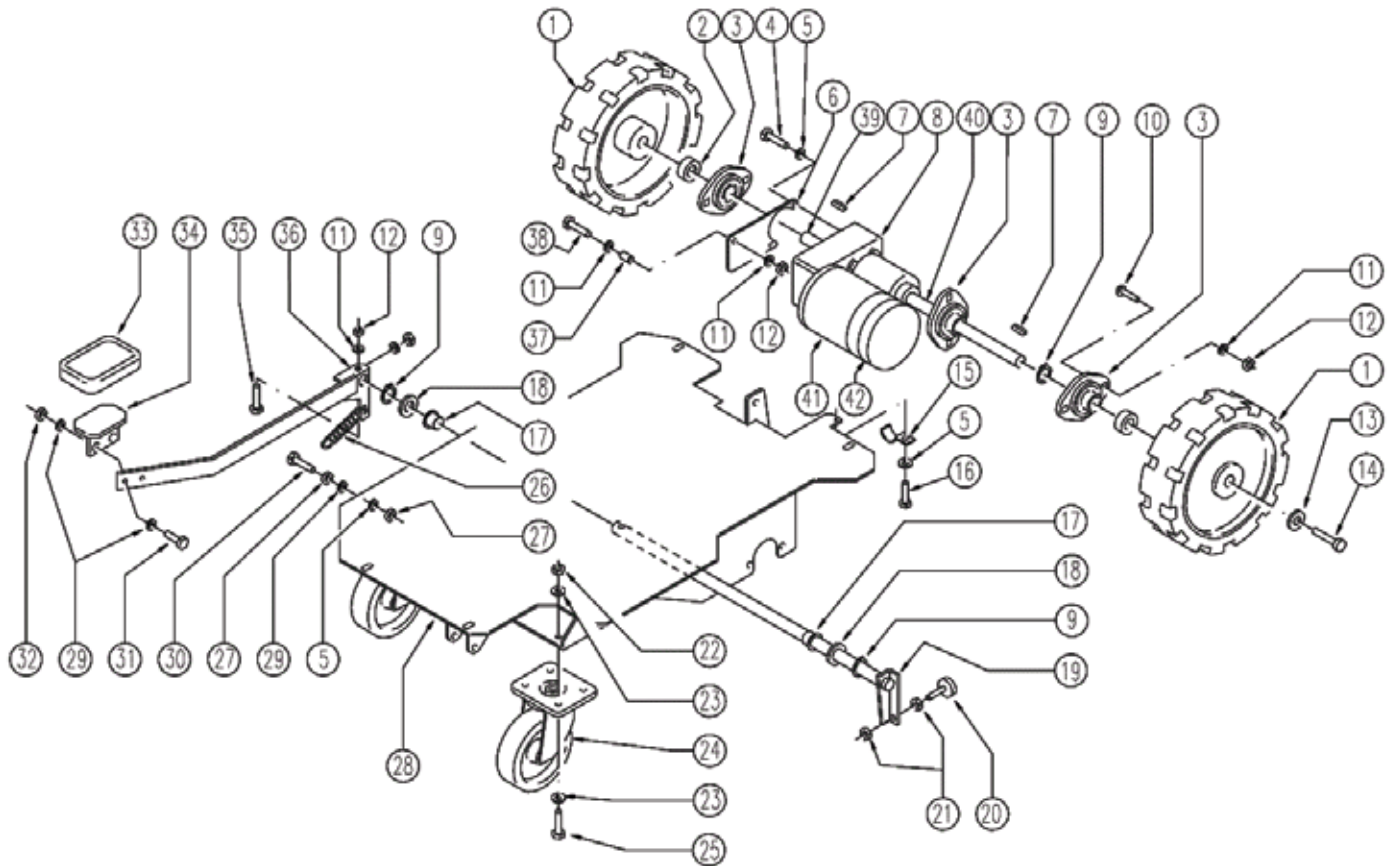
Ref.	Part N.	Description	Quantity	Validity From	Validity To
1	3FTAC48857	FILTER	1	12/2002	
2	3GUVR48858	GASKET	1	12/2002	
3	3GUVR48859	GASKET	1	12/2002	
4	3LAFN04044	PIN	1	12/2002	
8	3VTVT00874	SCREW M. 5-10	4	12/2002	
9	3VTRS15524	WASHER D.10	4	12/2002	
10	3VTRS15909	WASHER D.10	4	12/2002	
11	3VTVT00455	SCREW TE 10X20 UNI5739	4	12/2002	
12	3MPVR48695	PIN	2	12/2002	
13	3VTVR48693	INSERT M6 D.9	1	12/2002	
14	3RCVR45752	HOSE FITTING "L" 3/8M - D.10 PLS.	2	12/2002	
15	3FSVR00096	CLAMP 10-16 INOX	2	12/2002	
16	3TBBP00202	TUBE D 10 L=420 MM	1	12/2002	
17	3FSVR43136	CLAMP D. 35-40 DF.	1	12/2002	
18	3TBFX00360	TUBE PU	1	03/2013	
19	3VTRS15523	WASHER D.10 X21 INOX UNI 6592	2		
20	3MPVR05064	CAP	1		03/2013

Water Tank



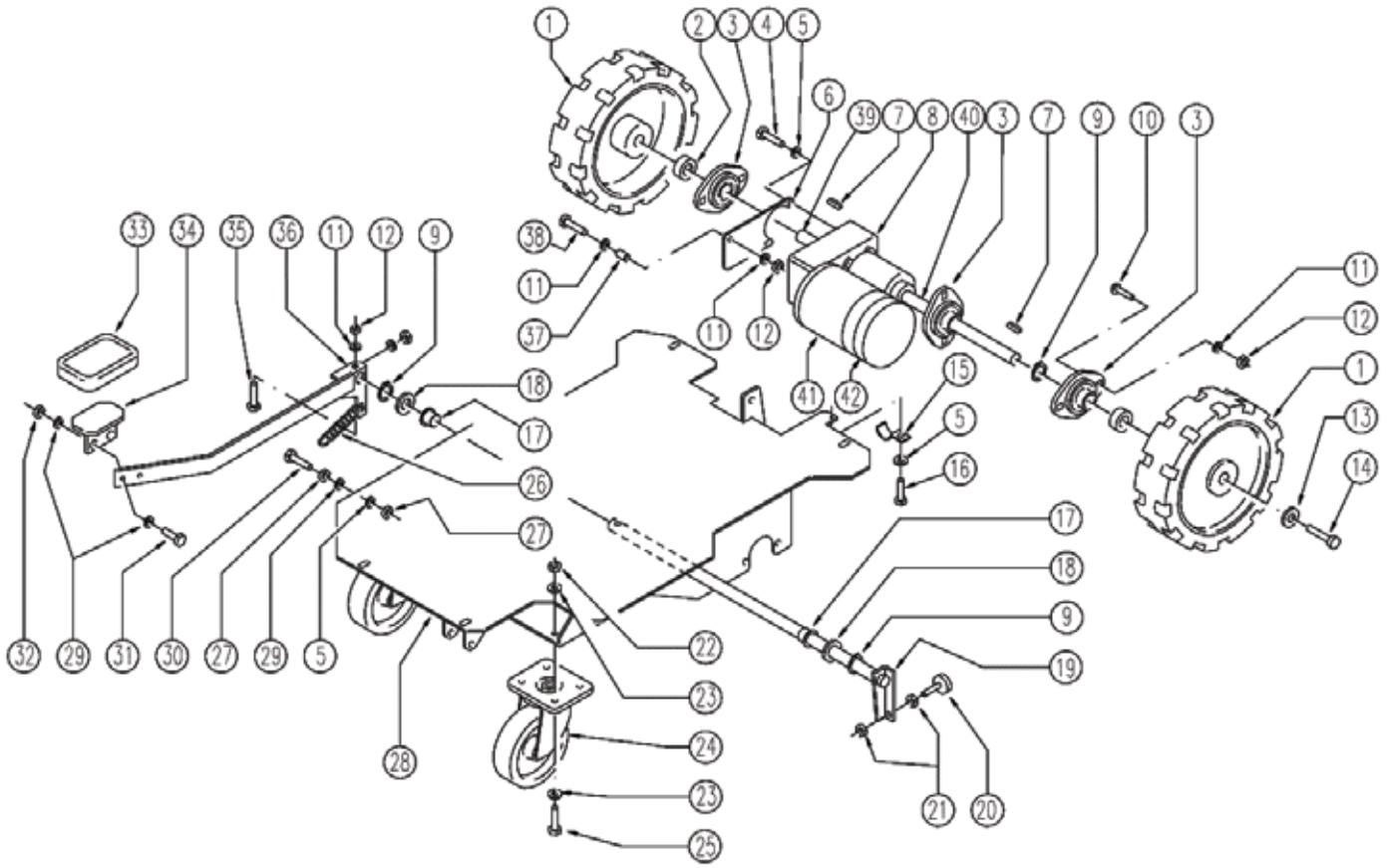
Ref.	Part N.	Description	Quantity	Validity From	Validity To
21	3VTVT48694	SCREW TCB TC 5 X12 UNI 9707 TZ	4	12/2002	
22	3MPVR46988	CLIP LAV. SHK	1	12/2002	
23	3VTDD15518	NUT M 6 INX	2	12/2002	
24	3LAFN05609	ROD INFERIORE RUBINETTO	1	12/2002	
25	3VTVT15906	SCREW TE 6X 12 A2 UNI 5739	1	12/2002	
26	3VTRS00239	WASHER D.6-18	1	12/2002	
27	3MPVR49471	LEVER SHK	1	12/2002	

frame



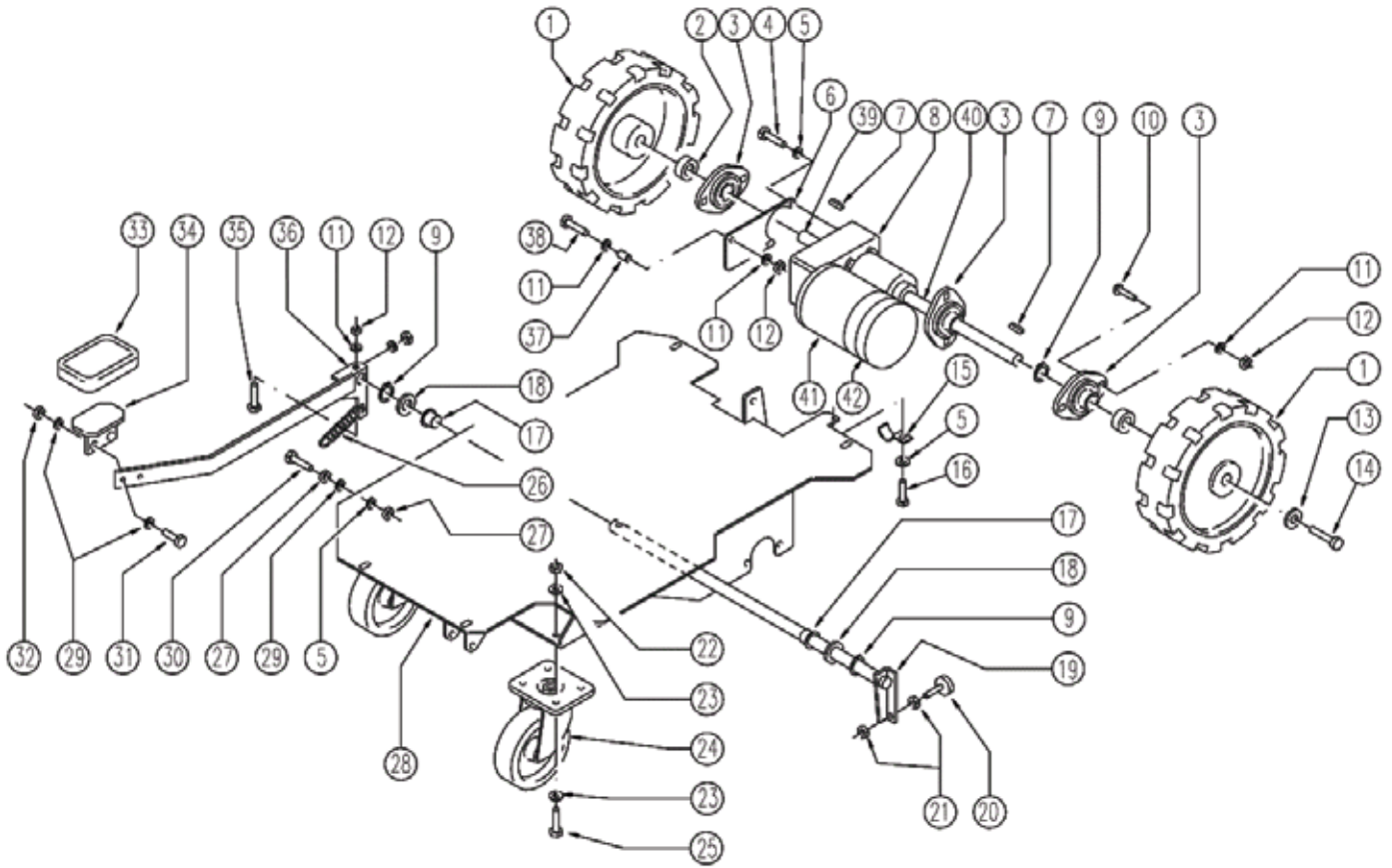
Ref.	Part N.	Description	Quantity	Validity From	Validity To
1	3RTRT00542	WHEEL D.250x60	2	01/2013	
2	3LAFN05311	SPACER X CUSCINETTO	2	12/2002	
3	3CUVR00105	SUPPORT	3	12/2002	
4	3VTVT15143	SCREW TE 6X16 UNI5739	2	12/2002	
5	3VTRS15144	WASHER D. 6 INX GRW UNI 1751	4	12/2002	
6	3LAFN05617	PLATE FISSAGGIO MOTORE TRAZIONE	1	12/2002	
7	3VTVR33668	KEY 6x 6x40 UNI 6604A	2	12/2002	
8	3MOCC00235	MOTOR.GEARBOX TRAZIONE CABLATO	1	12/2002	
9	3VTAE00050	RING D'ARRESTO ALBERO	3	12/2002	
10	3VTVT00842	SCREW	6	12/2002	
11	3VTRS13947	WASHER D. 8 INX UNI 6592	9	12/2002	
12	3VTDD01695	NUT M 8 INX	7		
13	3VTRS00278	WASHER D.8X32 ZINC.BIANCA 6593	2		
14	3VTVT00779	SCREW TBEI M.8-16	2	12/2002	
15	3FSVR00104	CLAMP XTUBO RIGIDO	1	12/2002	
16	3VTVT15906	SCREW TE 6X 12 A2 UNI 5739	1	12/2002	

frame



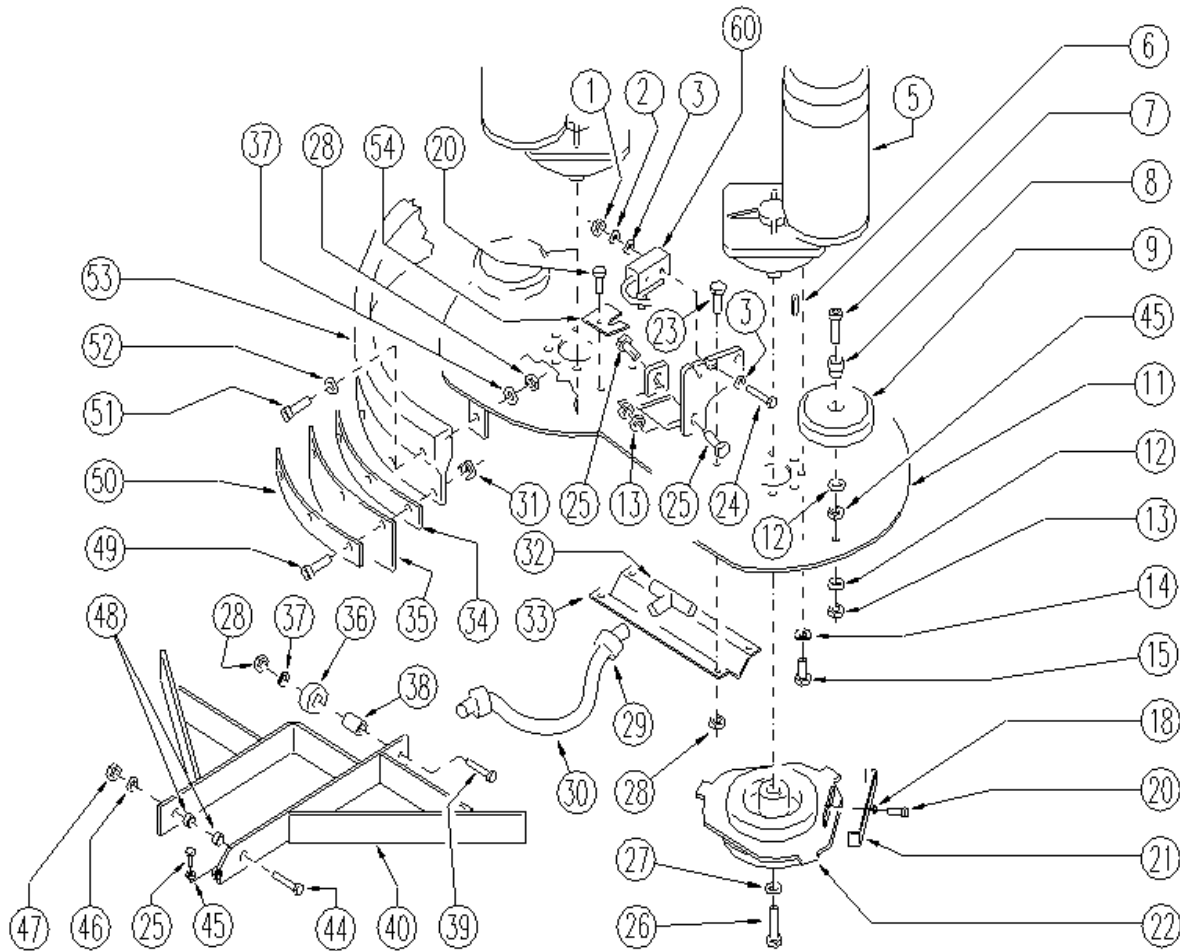
Ref.	Part N.	Description	Quantity	Validity From	Validity To
17	3CUVR44348	BUSHING CB 85 2010 31T	2	12/2002	
18	3VTRS00287	WASHER D20 ZINCATA BIA.UNI 6592	2	12/2002	
19	3LAFN05840	AXLE FRENO	1	06/2003	
20	3MPVR04162	CAP FRENO	2	12/2002	
21	3VTDD15521	NUT M 8 INX A2 UNI 5588	4	12/2002	
22	3VTDD00042	NUT AUT.M10 UNI7474	8	12/2002	
23	3VTRS00236	WASHER D.10 UNI 6592 ZINC. PIANA	16	12/2002	
24	3RTRT49041	TURNING WHEEL D.125 BNDT	2	12/2002	
25	3VTVT03640	SCREW TE 10X25 UNI5740	8	12/2002	
26	3MLML00147	SPRING	1	12/2002	
27	3VTDD15520	NUT M 6 A2 UNI 5588 INX	2	12/2002	
28	3LAFN05592	FRAME PANTHER	1	12/2002	
29	3VTRS00245	WASHER D.6 UNI 6592 INOX	5	12/2002	
30	3VTVT00701	SCREW TE M.6-30	1	12/2002	
31	3VTVT13939	SCREW TE 6X20 UNI5739 INX	2	12/2002	
32	3VTDD01694	NUT M6 INOX	2		
33	3LAFN29988	PROTECTION TIG.300	1		
34	3LAFN35599	BRAKE PEDAL LAV. BT	1	12/2002	

frame



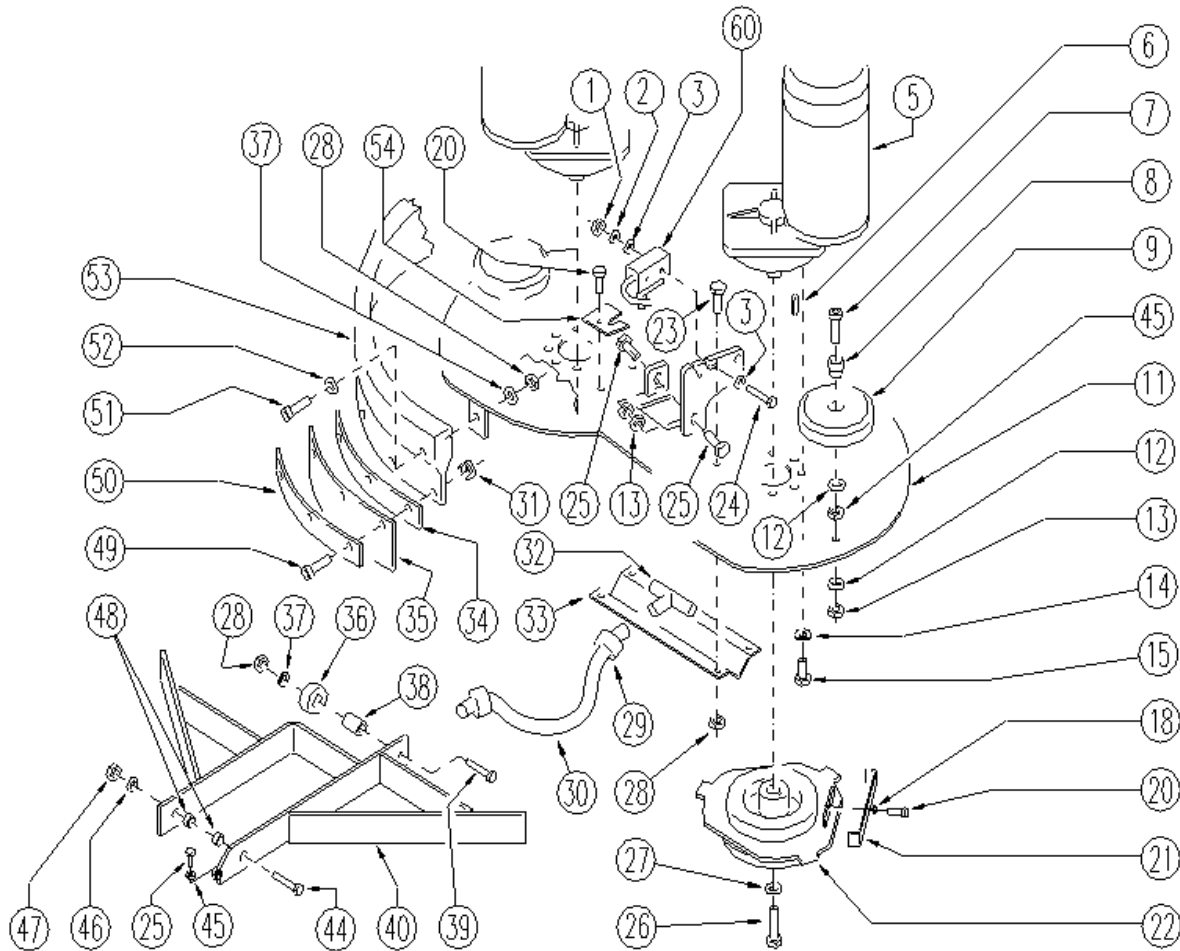
Ref.	Part N.	Description	Quantity	Validity From	Validity To
35	VTVT00708	SCREW TE M. 8-40	1	06/2003	
36	LAFN05841	LEVER FRENO	1	06/2003	
37	LAFN03913	BUSHING LEVA COFANO	1	12/2002	
38	VTVT13937	SCREW TE M 8X 30 INX UNI 5739	1	12/2002	
39	LAFN03223	AXLE LEFT	1		
40	LAFN03224	AXLE RIGHT	1		
41	MOCC00432	MOTOR ELECTRICAL 24V 300W	1		
42	MEVR00984	CARBON 7X14	4		

Head



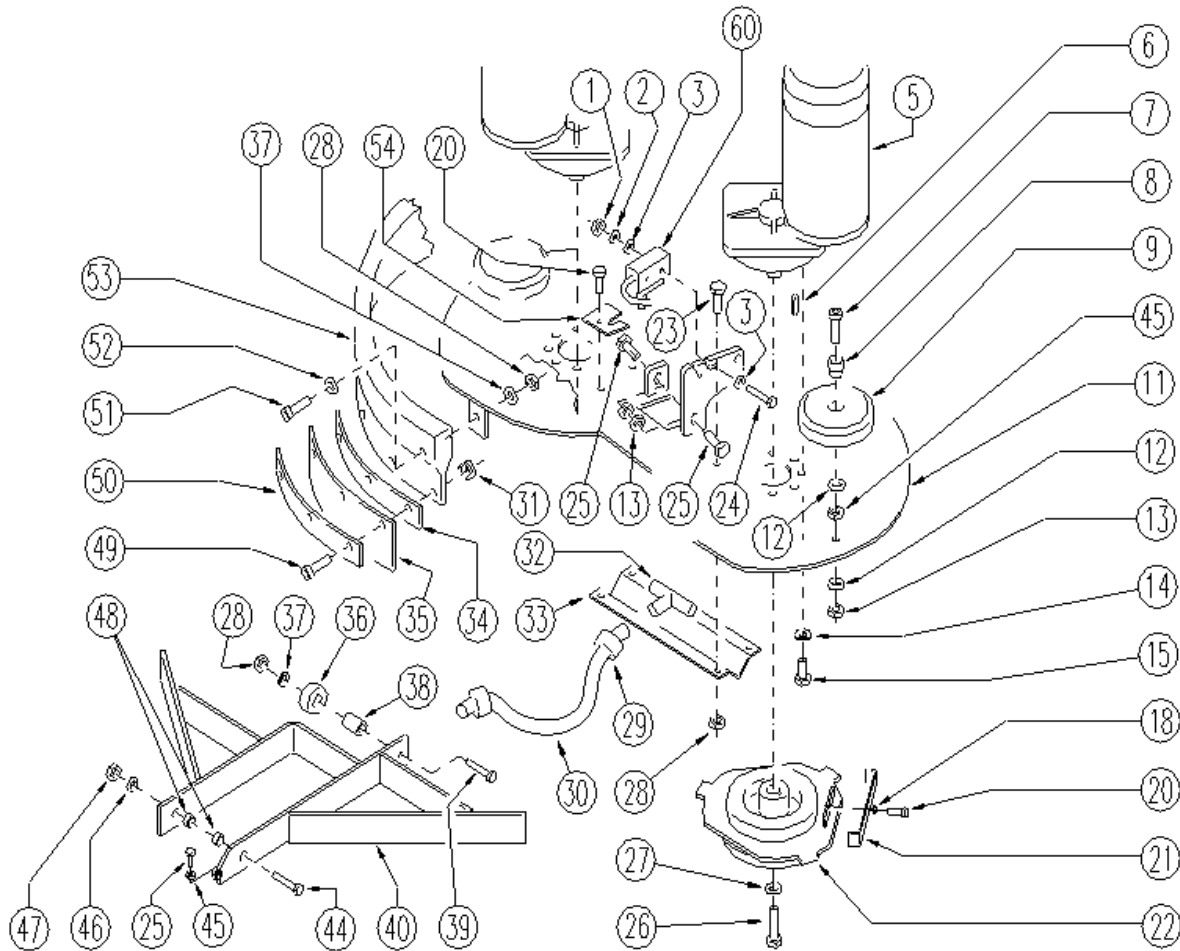
Ref.	Part N.	Description	Quantity	Validity From	Validity To
1	3VTDD15925	NUT M 4 INX	2	12/2002	
2	3VTRS15913	WASHER D. 4 GROVER A2 UNI1751	2		
3	3VTRS00251	WASHER 4-16 INOX A2	4	12/2002	
5	3MEVR00985	BRUSHES CT110	8		
5	3MOCC00143	MOTOR MRP6 V24	2		
6	3VTVR21944	KEY 6X6X30	2	12/2002	
7	3VTVT00775	SCREW TCEI M 8X40 ZC.BK UNI5931	2	09/2006	
8	3LAFN03915	BUSHING NUOVO RUOTINO STRONG	2	12/2002	
9	3RTRT43370	CASTER D.100 2V.	2	12/2002	
11	3LAFN05611	PLATE TESTATA	1	12/2002	
12	3VTRS13947	WASHER D. 8 INX UNI 6592	2	12/2002	
13	3VTDD01695	NUT M 8 INX	4	02/2003	
14	3VTRS15144	WASHER D. 6 INX GRW UNI 1751	14	12/2002	
15	3VTVT15906	SCREW TE 6X 12 A2 UNI 5739	14	12/2002	
18	3VTRS15913	WASHER D. 4 GROVER A2 UNI1751	2	06/2003	
20	3VTVT21887	SCREW TCB-TC 4X10 8112	3	12/2002	
21	3MLML00231	SPRING ANTISGANCIO 85 X FLANGIA	2	12/2002	
22	3MFVR00212	DRIVE DISK	2	02/2012	

Head



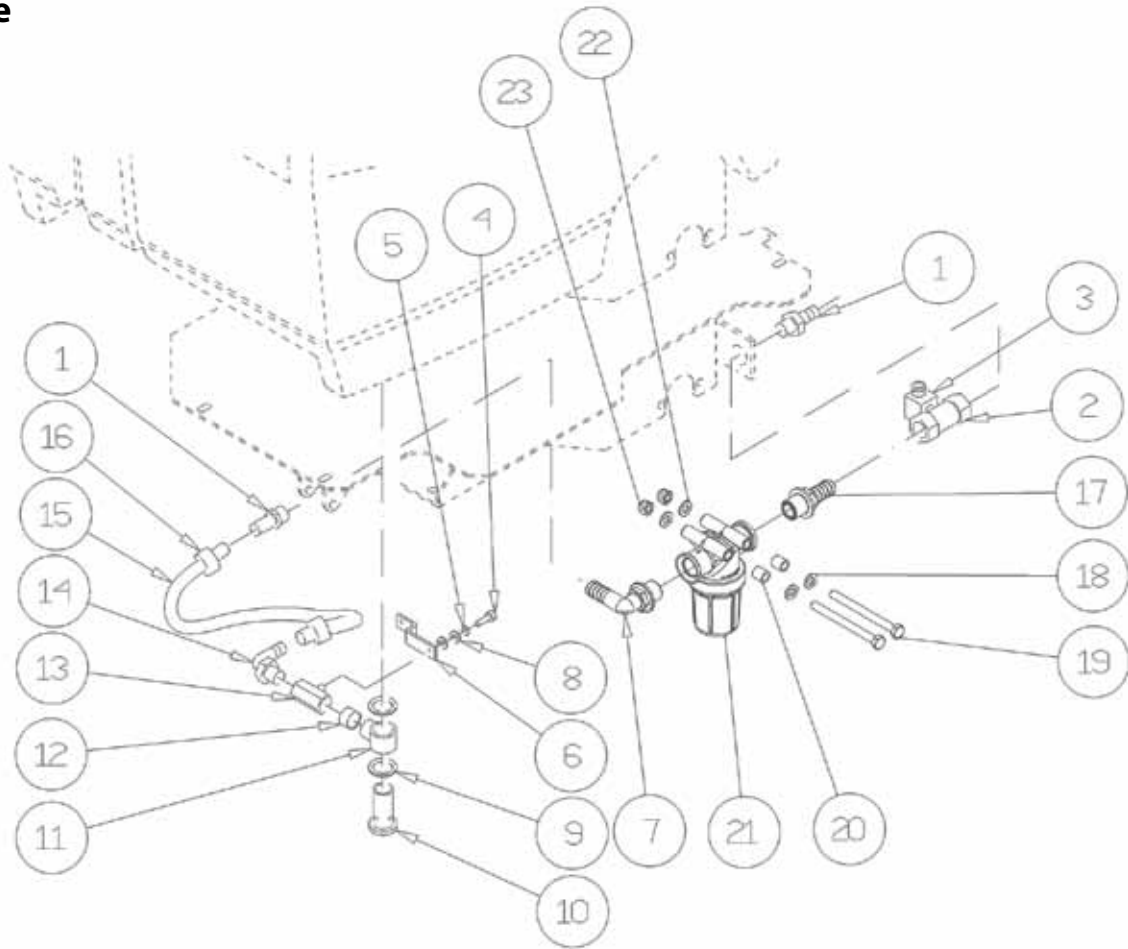
Ref.	Part N.	Description	Quantity	Validity From	Validity To
23	3VTVT00787	SCREW TBEI M 6-16	4	12/2002	
24	3VTVT20824	SCREW TE M 4X 40 UNI 5739 ZC	2	12/2002	
25	3VTVT15907	SCREW TE 8X25 UNI5739 INX	2	06/2003	
26	3VTVT00179	SCREW TSPEI M 8X30	2	05/2003	
27	3VTRS00289	WASHER D.10,5-40	2	12/2002	
28	3VTDD15518	NUT M 6 INX	10	12/2002	
29	3FSVR00091	CLAMP 14-24	2		
30	3TBBP00362	TUBE	1		
31	3VTDD00175	NUT M.6 TONDO FILET.4 PUNTE	8	12/2002	
32	3RCVR00483	CONNECTOR 3 VIE	1	12/2002	
33	3LAFN05644	DISTRIBUTOR ACQUA TESTATA 85	1	12/2002	
34	3MPVR02815	THICKNESS X FLAP	2	12/2002	
35	3MPVR02786	FLAP TESTATA	2	12/2002	
36	3RTRT49413	WHEEL D. 60-D.15 X36 NYL.	1	12/2002	
37	3VTRS00245	WASHER D.6 UNI 6592 INOX	6	12/2002	
38	3LAFN04041	SPACER D6/15	1	12/2002	
39	3VTVT00655	SCREW TE M. 6-55	1	12/2002	
40	3LAFN05655	BRACKET CENTRAGGIO SPAZZOLE 85	1	12/2002	

Head



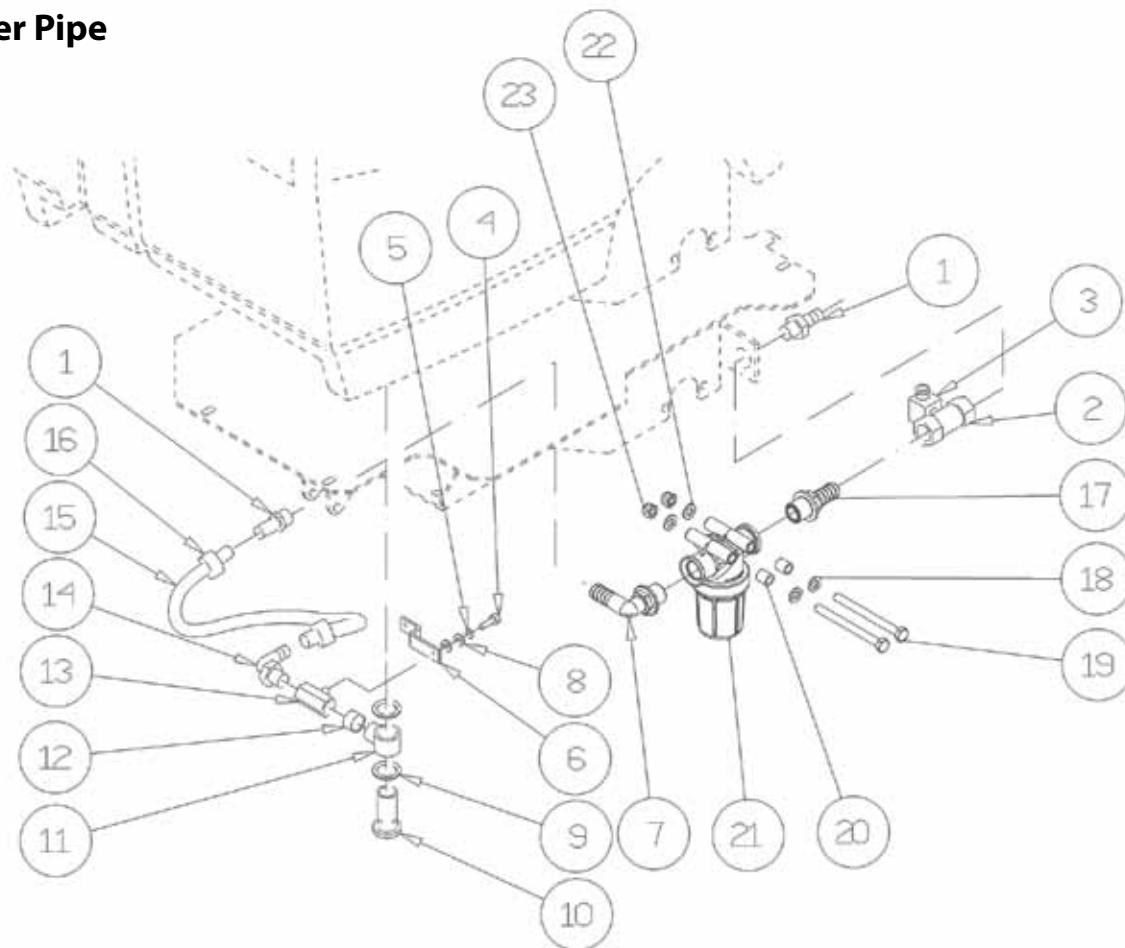
Ref.	Part N.	Description	Quantity	Validity From	Validity To
44	3VTVT00868	SCREW TE M12-140	1	12/2002	
45	3VTDD15521	NUT M 8 INX A2 UNI 5588	1	06/2003	
46	3VTRS00232	WASHER D.12 UNI 6592 ZINC.	8	12/2002	
47	3VTDD00131	NUT M.12 AUT. DIN 982 ZINC	1	12/2002	
48	3LAFN03721	BUSHING PEDALIERA	2	12/2002	
49	3VTVT00858	SCREW 6X20	6	12/2002	
50	3MPVR02792	FLAP PRESS NYLON NERO SP2	2	12/2002	
51	3VTVT00818	SCREW TBEI 6X35	5	12/2002	
52	3VTRS13945	WASHER D. 6X18 INX UNI 6593	5	12/2002	
53	3MPVR02779	BUMPER TESTATA 85	1		
54	3LAFN05671	PLATE RESCA TESTATA	1	12/2002	
60	3MECI00199	MICROSWITCH CABLATO	1		

Water Pipe



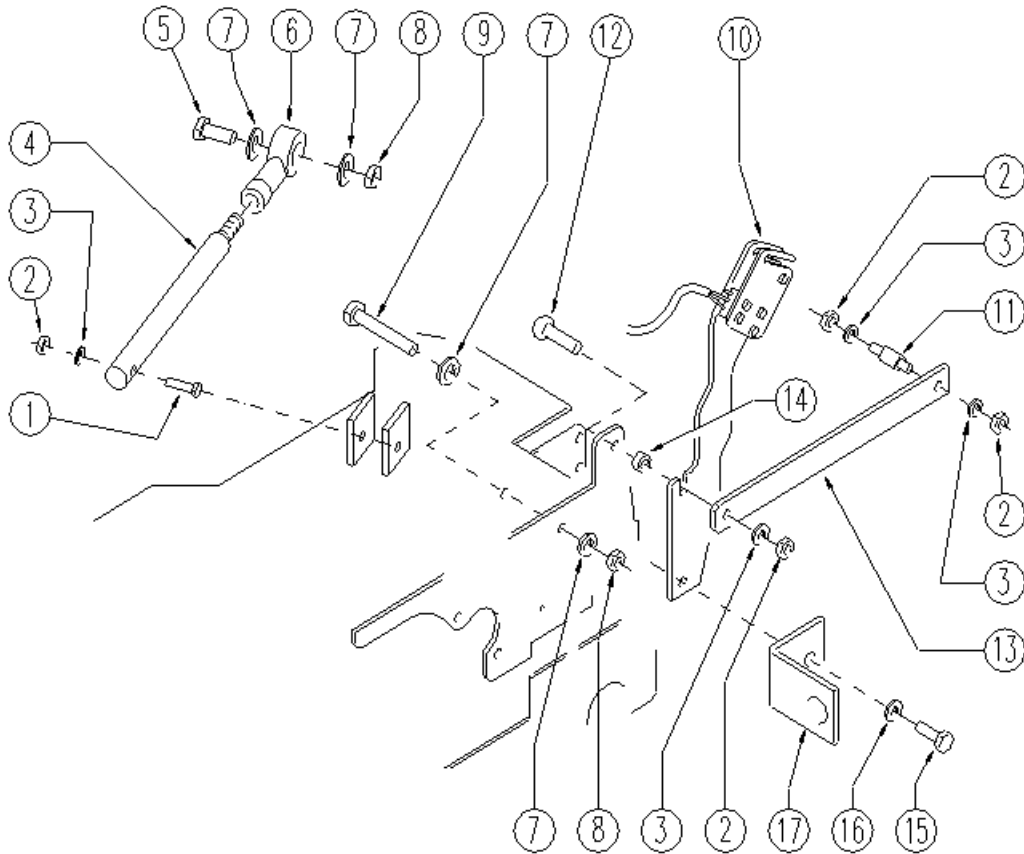
Ref.	Part N.	Description	Quantity	Validity From	Validity To
1	3RCVR00795	CONNECTOR 3/4	1	03/2015	
2	3MEEV00015	SOLENOID VALVE	1	03/2015	
3	3MEVR01155	CONNECTOR ELETTROVALVOLA	1	03/2015	
4	3VTVT00834	SCREW M 3X 6 TCB-TC IX U.7687	1	03/2015	
5	3VTRS00251	WASHER 4-16 INOX A2	1	03/2015	
6	3LAFN05724	LEVER RUBINETTO	1	03/2015	
7	3RCVR00537	CONNECTOR MASCH.G1/2 RESCA	1	03/2015	
8	3VTRS13947	WASHER D. 8 INX UNI 6592	2	03/2015	
9	3VTRS00567	WASHER 1/2	2	03/2015	
10	3RCDS49623	SCREW G 1/2 L=41.5	1	03/2015	
11	3RCDS49622	CONNECTOR OCC 1/2 - 1/2M	1	03/2015	
12	3MPVR02862	COVER FISSAG.SERB.	1	03/2015	
13	3RCGR00065	TAP F/F 1/2"	1	03/2015	
14	3RCVR00537	CONNECTOR MASCH.G1/2 RESCA	1	03/2015	
15	3TBBP00322	TUBE	1	03/2015	
16	3FSVR00091	CLAMP 14-24	2	03/2015	
17	3RCVR00514	CONNECTOR 1/2 M RESCA 15	1	03/2015	
18	3VTRS13947	WASHER D. 8 INX UNI 6592	2	03/2015	

Water Pipe



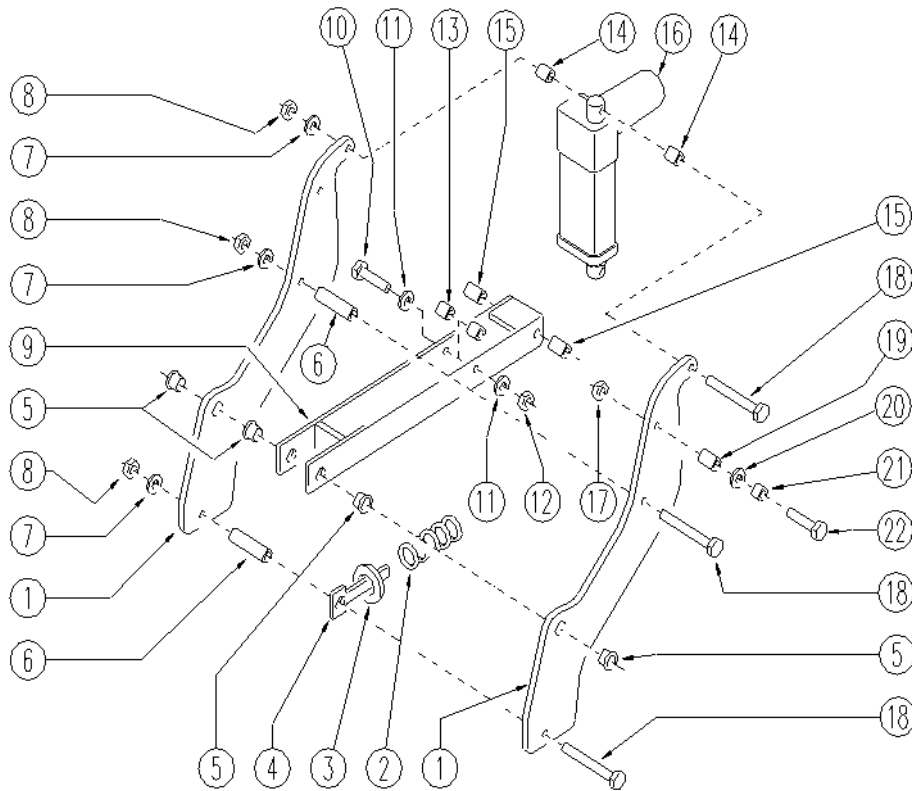
Ref.	Part N.	Description	Quantity	Validity From	Validity To
19	3VTVT01321	SCREW TE 8X90 UNI5739	2		
20	3RCDS31040	BUSHING D. 8X 12X13	2		
21	3FTAC00038	FILTER G1/2 INOX	1		
22	3VTRS13947	WASHER D. 8 INX UNI 6592	2		
23	3VTDD01695	NUT M 8 INX	2		

Head



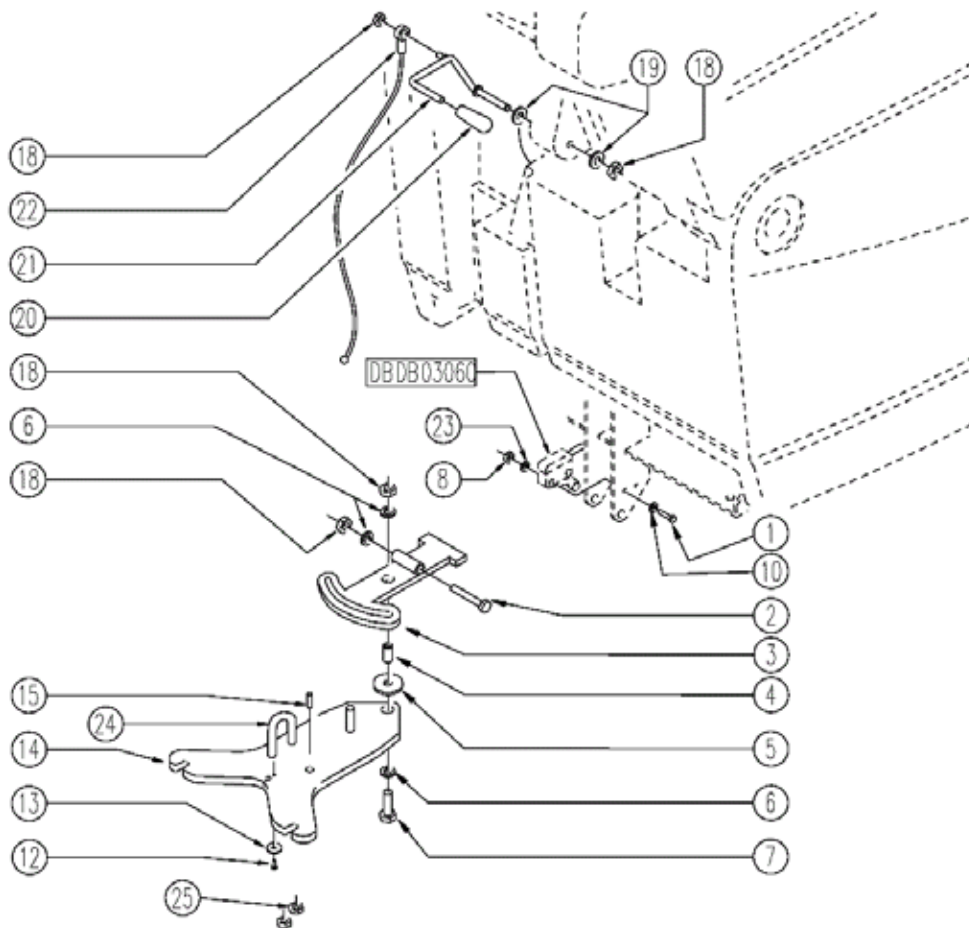
Ref.	Part N.	Description	Quantity	Validity From	Validity To
1	3VTVT15371	SCREW TE M 8X45 INOX A2 UNI	1	12/2002	
2	3VTDD01695	NUT M 8 INX	4	12/2002	
3	3VTRS13947	WASHER D. 8 INX UNI 6592	4	04/2003	
4	3LAFN05600	LEVER LATERALE	1	12/2002	
5	3VTVT00467	SCREW TE M 12X45 ZINC. UNI 5737	1	12/2002	
6	3VTVR00267	ARTICULATION SFERICO D.12	1	12/2002	
7	3VTRS00232	WASHER D.12 UNI 6592 ZINC.	4	12/2002	
8	3VTDD00131	NUT M.12 AUT. DIN 982 ZINC	2	12/2002	
9	3VTVT00285	SCREW TE M12X110	1	12/2002	
10	3MECB00504	GROUP CABLAGGIO	1		
11	3LAFN04113	PIN LEVA SUPERIORE	1	02/2003	
12	3VTVT00781	SCREW TSPEI M.8-25	1	04/2003	
13	3LAFN05604	LEVER SUPERIORE	1	12/2002	
14	3RCDS35584	BUSHING D. 8X12X 4.3	1	12/2002	
15	3VTVT13938	SCREW TE 8X20 UNI5739 INX	1	12/2002	
16	3VTRS01080	WASHER D. 8 GRW	1	12/2002	
17	3LAFN05643	BRACKET ELETTRORVALVOLA	1	12/2002	

Head



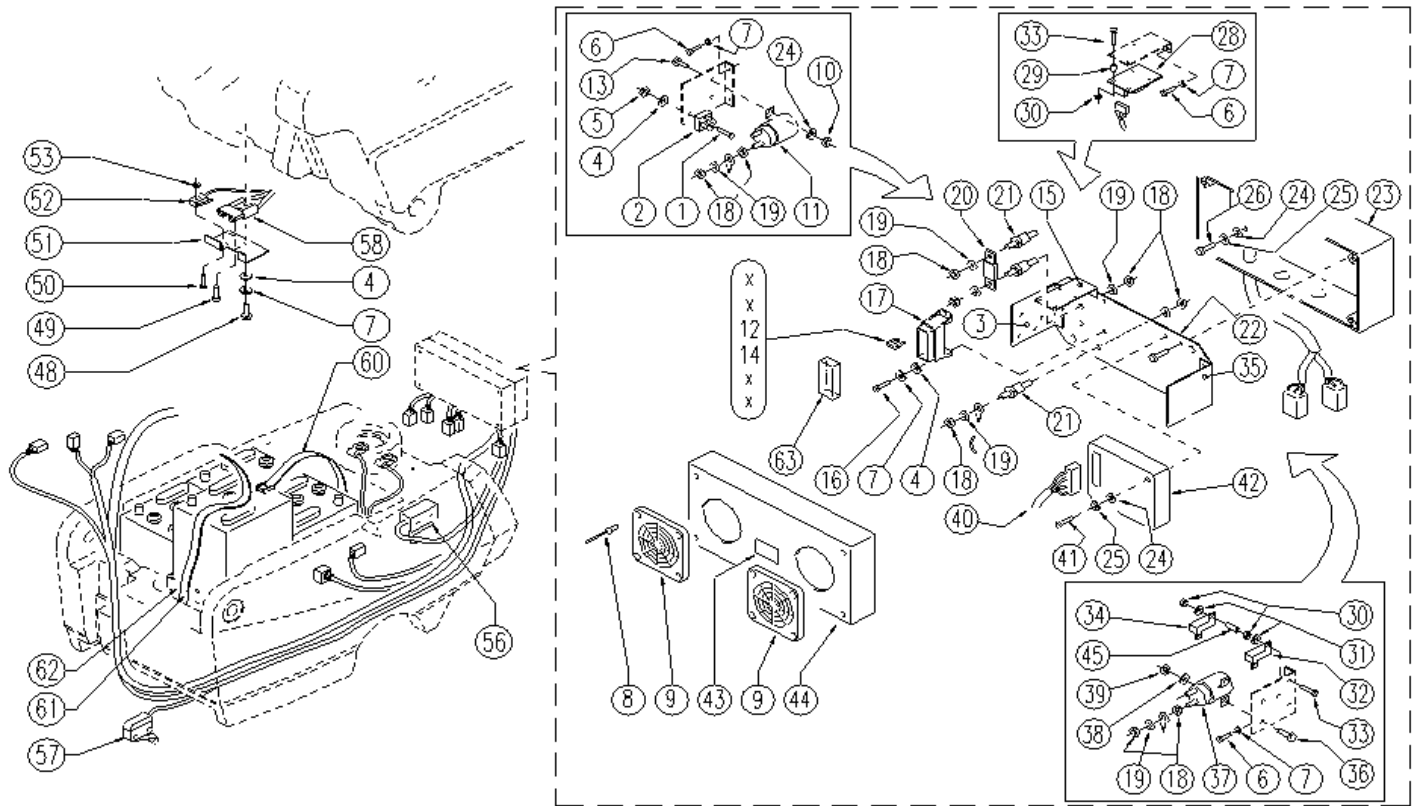
Ref.	Part N.	Description	Quantity	Validity From	Validity To
1	3LAFN05593	BRACKET	2	12/2002	
2	3MLML00227	SPRING DI COMPRESS.	1	12/2002	
3	3VTRS00250	WASHER D.14	1	12/2002	
4	3LAFN05594	SPRING GUIDE	1	12/2002	
5	3CUVR00130	BEARING STRISCIAMENTO	4	12/2002	
6	3LAFN04043	SPACER D8.5-15	2	12/2002	
7	3VTRS13947	WASHER D. 8 INX UNI 6592	3	12/2002	
8	3VTDD01695	NUT M 8 INX	3	12/2002	
9	3LAFN05605	ARM	1	12/2002	
10	3VTVT00867	SCREW	1	12/2002	
11	3VTRS00245	WASHER D.6 UNI 6592 INOX	3	12/2002	
12	3VTDD15518	NUT M 6 INX	1		
13	3LAFN03840	BUSHING	2	12/2002	
14	3LAFN04042	SPACER D8.5-15	2	12/2002	
15	3RCDS34717	BUSHING D. 9X12X 8.3	2	12/2002	
16	3MOCC00226	ATUATOR ALI 1 100MM CABLATO	1	12/2002	
17	3VTDD01694	NUT M6 INOX	1		
18	3VTVT00734	SCREW TE M. 8-80	3	12/2002	
19	3LAFN04187	SPACER PER RIDUTTORE	1		
20	3VTRS13945	WASHER D. 6X18 INX UNI 6593	1		
21	3LAFN03742	SPACER SILENZIATORE	1		
22	3VTVT15145	SCREW TE 6X40 UNI5739 INX	1		

Support



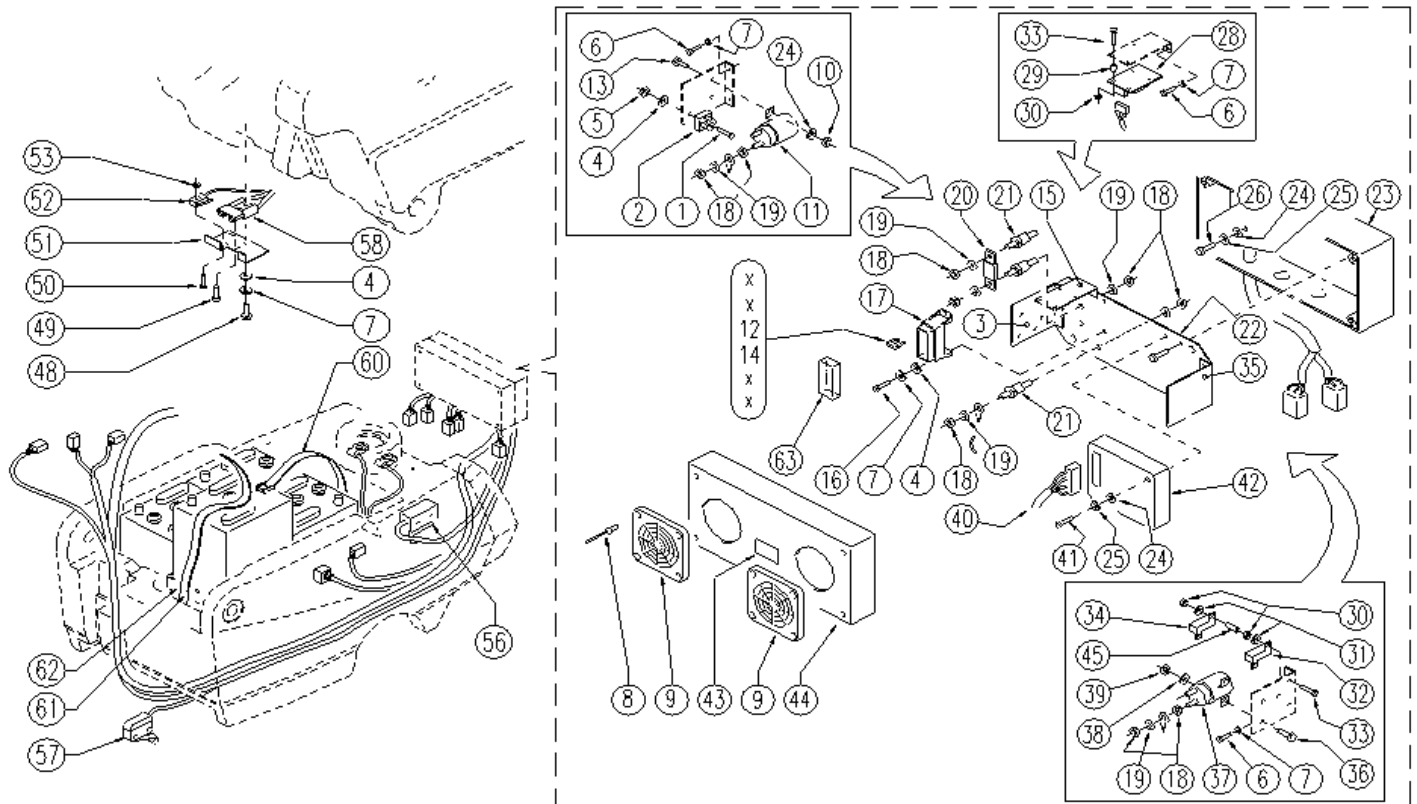
Ref.	Part N.	Description	Quantity	Validity From	Validity To
1	3VTVT00732	SCREW	2	12/2002	
2	3VTVT00757	SCREW	1	12/2002	
3	3LAFN09009	SUPPORT -	1	06/2012	
4	3LAFN03957	BUSHING RUOTINO	1	12/2002	
5	3VTRS15978	WASHER D.12X24 UNI 6592 INX	1	06/2012	
6	3VTRS13947	WASHER D. 8 INX UNI 6592	3	12/2002	
7	3VTVT00410	SCREW TE M8x35 UNI5739 INOX	1	12/2002	
8	3VTDD15925	NUT M 4 INX	2	12/2002	
10	3VTRS00501	WASHER D. 4 0.232 UNI 6592	2	12/2002	
14	3LAFN09241	PLATE -	1	02/2013	
15	3VTVT01200	GRUB SCREW M8 X 16 INOX	1	04/2004	
18	3VTDD01695	NUT M 8 INX	3	12/2002	
19	3VTRS13946	WASHER D. 8 X24 INX UNI 6593	2	12/2002	
20	3VTVR49226	HANDWHEEL F M10 D.82	1	12/2002	
21	3LAFN49035	LEVER LAV. SHK	1	12/2002	
22	3MTCR00105	CHAIN -	1	03/2015	
23	3VTRS15913	WASHER D. 4 GROVER A2 UNI1751	2	12/2002	
24	3LAFN09231	BRACKET M6X11X29	1	02/2013	
25	3VTDD01694	NUT M6 INOX	2	02/2013	

Electrical Installation



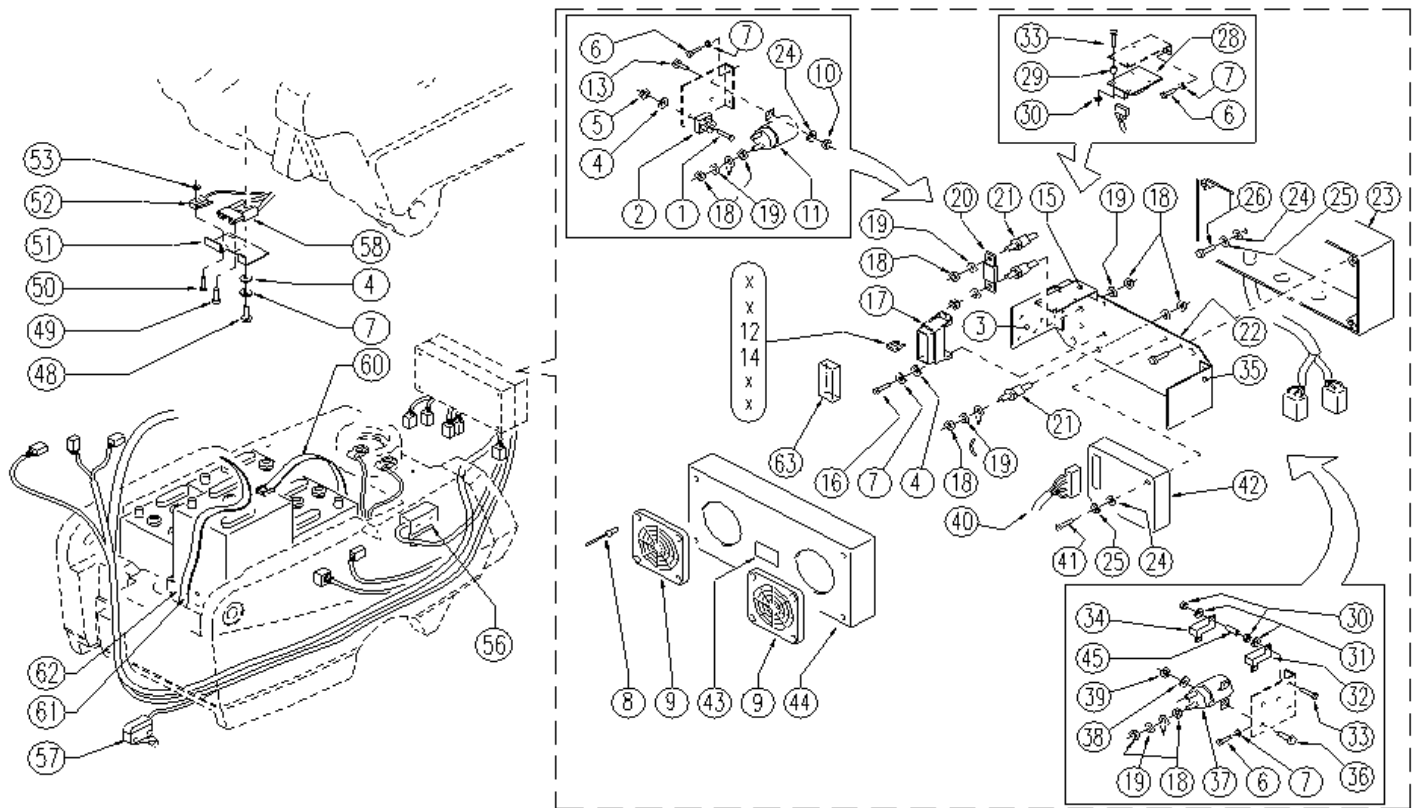
Ref.	Part N.	Description	Quantity	Validity From	Validity To
1	3VTVT00704	SCREW TE M 4X 16 UNI5739 INOX	1		
2	3MECE35767	RECTIFIER	1	12/2002	
3	3LAFN05613	BRACKET PONTE DIODI	1	12/2002	
4	3VTRS00501	WASHER D. 4 0.232 UNI 6592	10	12/2002	
5	3VTDD04369	NUT M 4 TEF UNI 7473	2	12/2002	
6	3VTVT00754	SCREW TC+ M. 4-10	4	12/2002	
7	3VTRS15913	WASHER D. 4	6	12/2002	
8	3VTVR00238	RIVET 4-10	8	12/2002	
9	3MPVR02797	BRACKET	2	12/2002	
10	3VTDD15517	NUT M 5 INX	2		
11	3METT30650	CONTACTOR 24 V	1	12/2002	
12	3MEVR01380	FUSE	1	12/2002	
13	3VTVT34115	SCREW TE M 5X 10 UNI 5739	2	12/2002	
14	3MEVR01316	FUSE 10 A. 32V	1	12/2002	
15	3LAFN05927	CARRYNG BAG	1		
16	3VTVT00725	SCREW TC+ M.4-12	2	12/2002	
17	3MEVR01386	FUSE 6 POSTI	1		
18	3VTDD10776	NUT M 8 X1 UNI 5588	18	12/2002	
19	3VTRS01080	WASHER D. 8 GRW	14	12/2002	

Electrical Installation



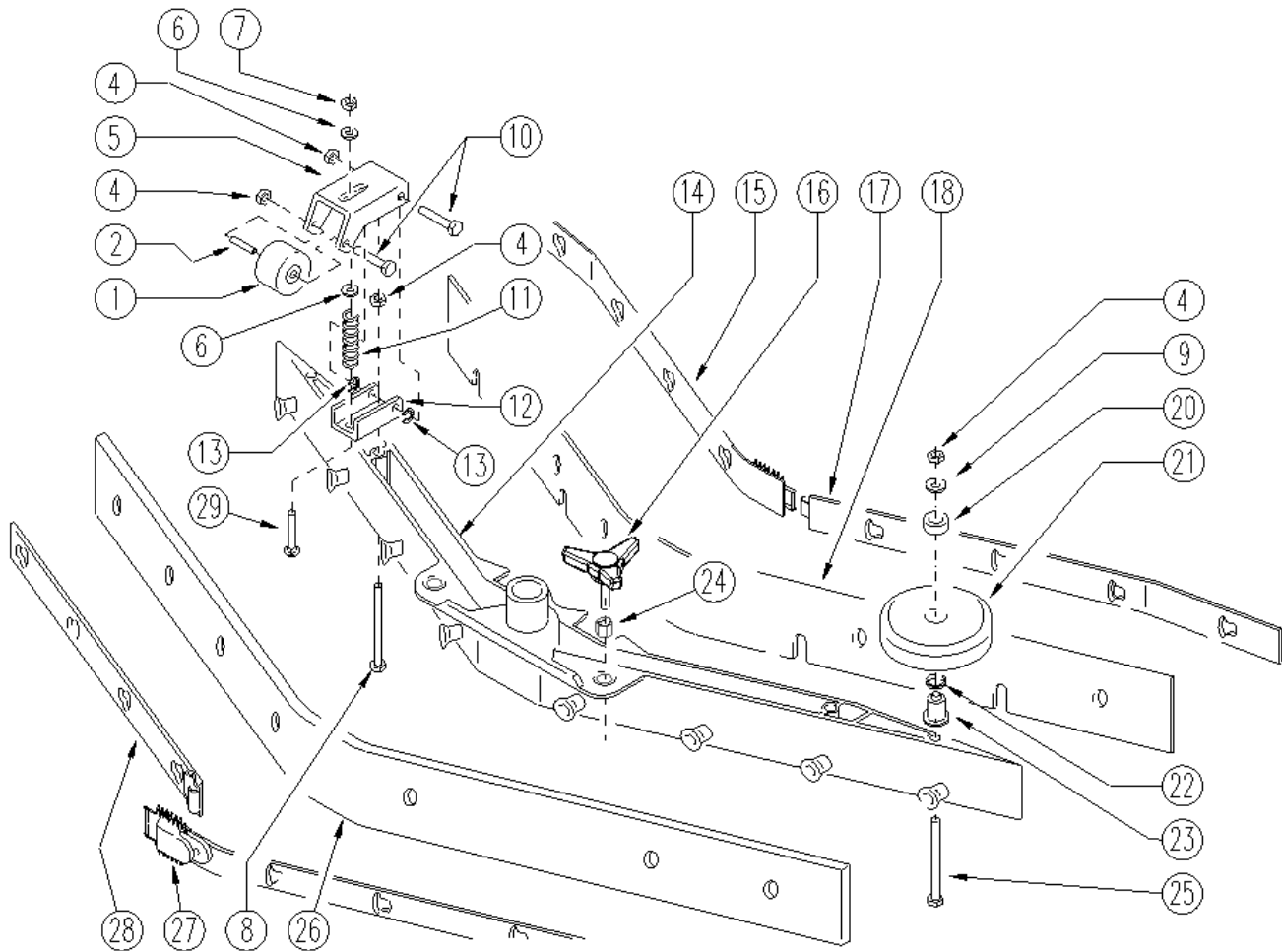
Ref.	Part N.	Description	Quantity	Validity From	Validity To
20	3MEVR01346	FUSE 125 A.	1	12/2002	
21	3MEVR01116	SUPPORT 120 A	3	12/2002	
22	3LAFN05612	PLATE	1	12/2002	
23	3MEVR01556	BOX BASE	1		
24	3VTRS00516	WASHER D. 5 INX	6	12/2002	
25	3VTRS15908	WASHER D. 5 INX GRW UNI 1751	4	12/2002	
26	3VTVT48694	SCREW TCB TC 5 X12 UNI 9707 TZ	4		
28	3MECE00396	BOARD	1		
29	3MPVR02973	CARRYNG BAG	3		
30	3VTDD21115	NUT M 3 INOX	4	12/2002	
31	3VTRS00268	WASHER D.3	4		
32	3MECE00391	RESISTANCE	1	12/2002	
33	3VTVT00722	SCREW	2	12/2002	
34	3MECE00369	RESISTANCE 10 OHM 50 WATT	1	12/2002	
35	3LAFN05614	BRACKET	1	12/2002	
36	3VTVT01109	SCREW TE M 6X 10 ZC. UNI 5739	2	12/2002	
37	3METT00056	CONTACTOR T-106	1	12/2002	
38	3VTRS00231	WASHER D. 6 UNI 6592 ZINC.	2	12/2002	
39	3VTDD00157	NUT M. 6 DIN 985 ZN	2		

Electrical Installation



Ref.	Part N.	Description	Quantity	Validity From	Validity To
40	3MECI00277	CONNECTOR	1	11/2003	
41	3VTVT62948	SCREW M 4X 50 TC-CR ZC U.7687	2	12/2002	
42	3MECE00336	GEARCASE TRAZ. 24V	1	12/2002	
43	3ETET00763	LABEL	1	12/2002	
44	3MEVR01339	COVER	1		
45	3LAFN04047	SPACER M3 15x8x8	2	12/2002	
48	3VTVT00814	SCREW TE M.4-25	2	06/2004	
49	3VTVT00872	SCREW TSP+ 2.9X13. INOX	1	12/2002	
50	3VTVT00671	SCREW TC- M.2-16	2	12/2002	
51	3LAFN05653	SUPPORT MICRO	1	12/2002	
52	3MECI00334	MICROSWITCH V4	1	12/2002	
53	3VTDD08634	NUT M2	2	12/2002	
56	3MECI00199	MICROSWITCH CABLATO	1	12/2002	
57	3MECI38439	MICRO-SWITCH MN-5141	1	12/2002	
58	3MEVR01079	PLUG M CB50 A 600V RD.	1	12/2002	
60	3MPVR02994	BELT BATTERY	2	12/2002	
61	3MPVR02995	BELT BATTERY	2	12/2002	
62	3MPVR04042	PLATE BATTERY	4	12/2002	
63	3MEVR01383	COVER PVC	1		

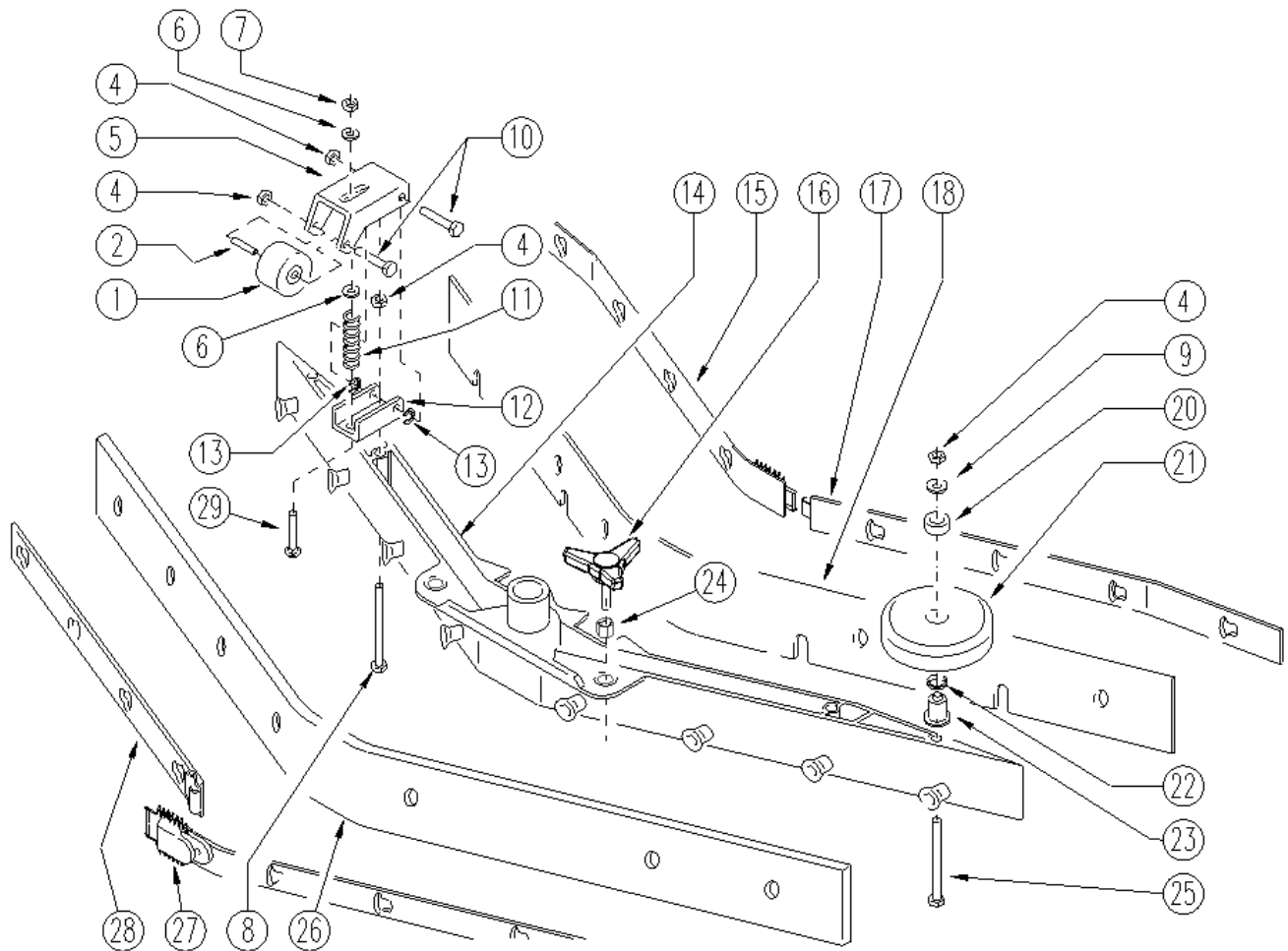
Squeegee A Option 1/2



Complete Squeegee Assembly - 3PMVR02004

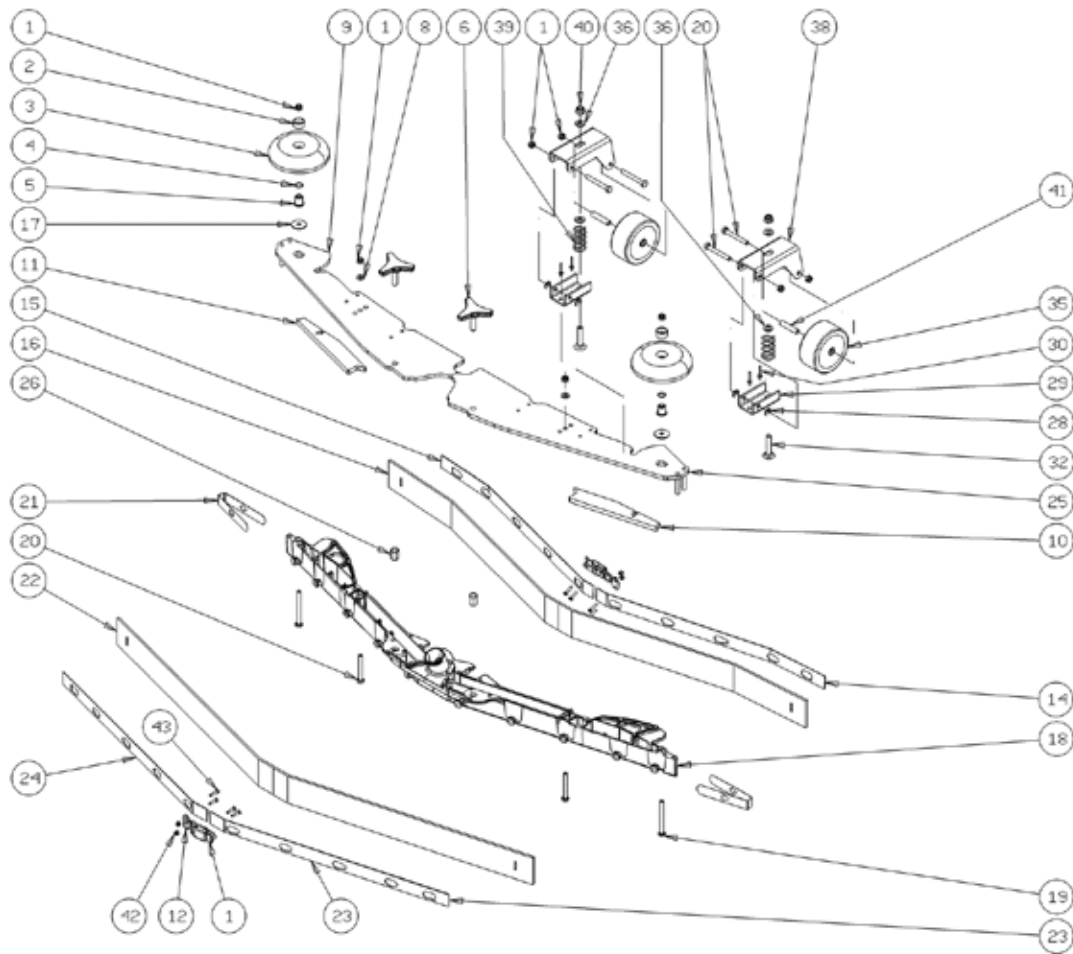
Ref.	Part N.	Description	Quantity	Validity From	Validity To
1	3RTRT49413	WHEEL D. 60-D.15 X36 NYL.	2		
2	3LAFN04041	SPACER D6/15	2		
4	3VTDD01694	NUT M 6 INX	8		
5	3LAFN05559	SUPPORT	2		
6	3VTRS13947	WASHER D. 8 INX UNI 6592	4		
7	3VTDD01695	NUT M 8 INX	2		
8	3VTVT15142	SCREW TE M 6x45 INOX	2		
9	3VTRS00245	WASHER D.6 UNI 6592 INOX	2		
10	3VTVT15515	SCREW TE M 6X 50 INOX A2	4		
11	3MLML49422	SPRING D.15X 45 X1	2		
12	3LAFN51069	BRACKET SQUEEGEE	2		
13	3VTAE45707	CIRCLIP D. 6 UNI 7434 INOX	4		
14	3MFVR00140	BODY SQUEEGEE	1		
15	3LAFN51047	BLADE HOLDER	1		
16	3MPVR05265	KNOB 8X25	2		
17	3LAFN51046	BLADE HOLDER	1		
18	3MPVR48380	RUBBER BLADE	1		

Squeegee A Option 1/2



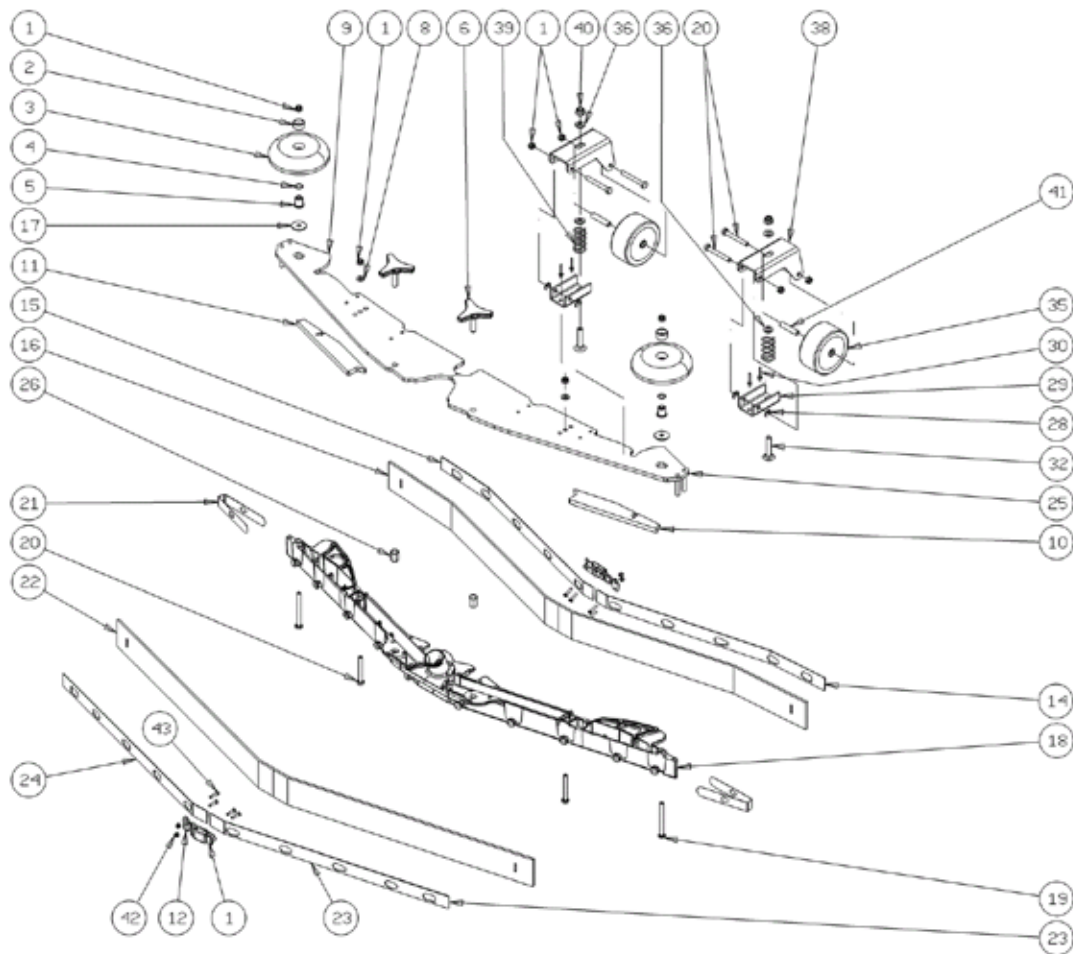
Ref.	Part N.	Description	Quantity	Validity From	Validity To
20	3MPVR49229	BUSHING SHK	2		
21	3MPVR05290	ROLLER	2		
22	3GUGO00164	GASKET	2		
23	3LAFN04100	SPACER	2		
24	3VTVR00022	INSERT	2		
25	3VTVT00841	SCREW TE M. 6-65	2		
26	3MPVR48379	RUBBER BLADE	1		
27	3LAFN05675	BLADE HOLDER	1		
28	3LAFN05674	BLADE HOLDER	1		
29	3VTVT01304	SCREW M 8X 40 TTQST UNI 5731	2		

Squeegee B Option 2/2



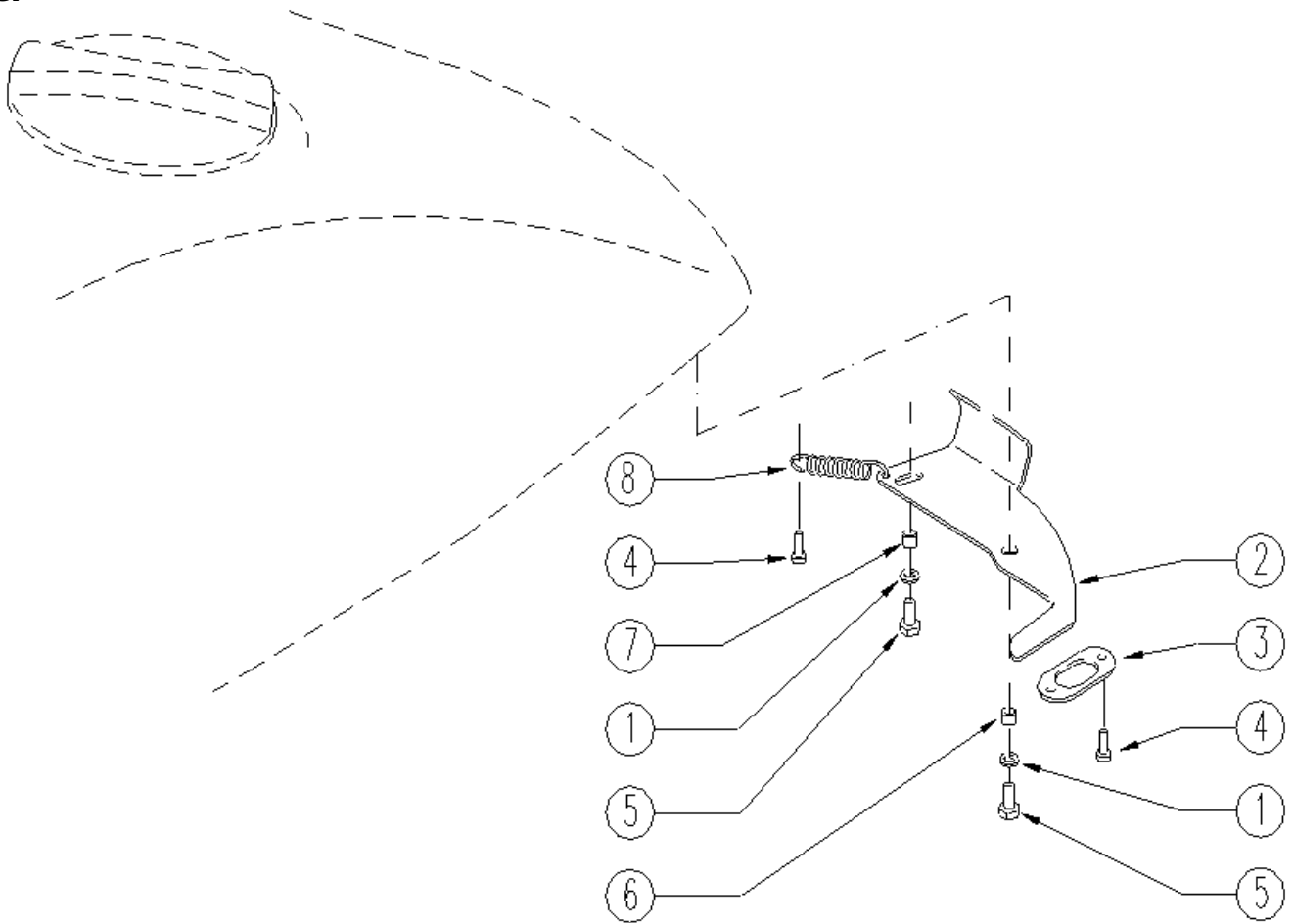
Ref.	Part N.	Description	Quantity	Validity From	Validity To
1	3LAFN09302	CLOSURE -	2	09/2013	
2	3MPVR49229	BUSHING SHK	2		
3	3MPVR05290	ROLLER PARACOLPI	2		
4	3GUGO00164	GASKET	2		
5	3LAFN04100	SPACER PER RUOTINO PARACOLPI	2		
6	3MPVR06004	KNOB AISI 304	2		
8	3VTRS00245	WASHER D.6 UNI 6592 INOX	2		
9	3LAFN09014	PLATE -	1		
10	3GUVR00303	GASKET -	1		
11	3GUVR00302	GASKET -	1		
12	3LAFN09301	SOCKET -	2	09/2013	
14	3LAFN09284	SHEET METAL PA.-	1	09/2013	
15	3LAFN09285	SHEET METAL PA.-	1	09/2013	
16	3MPVR05804	RUBBER FRONT SQUEEGEE L PU	1		
17	3VTRS16937	WASHER 6x24 INOX UNI 6593	2		
18	3MFVR00217	BODY -	1		
19	3VTVT00841	SCREW TE M 6X65 UNI 5739 INX	2		
20	3VTVT15515	SCREW TE M 6X 50 INOX A2	6		

Squeegee B Option 2/2



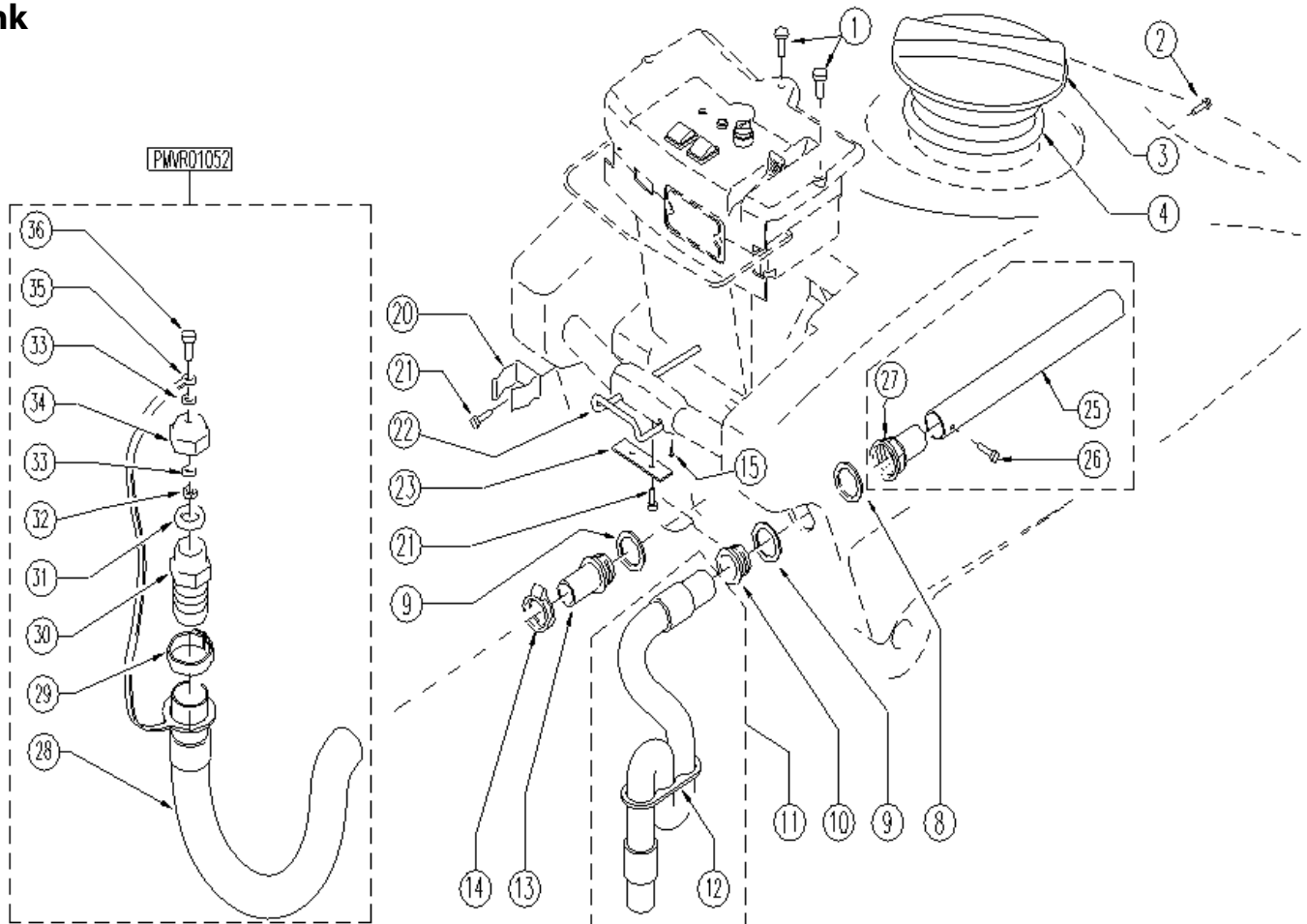
Ref.	Part N.	Description	Quantity	Validity From	Validity To
21	3MPVR05898	CLOSURE L	2		
22	3MPVR05806	RUBBER REAR SQUEEGEE L PU	1		
23	3LAFN08954	BRACKET -	1		
24	3LAFN08955	BRACKET -	1		
25	3LAFN09015	PLATE -	1		
26	3VTVR00565	INSERT -	2		
28	3VTAE45707	CIRCLIP D. 6 UNI 7434 INOX	4		
29	3LAFN51069	BRACKET SUPP.RUOTINO SQUEEGEE	2		
30	3VTVR01040	RIVET -	4		
32	3VTVT01304	SCREW M 8X 40 TTQST UNI 5731	2		
35	3RTRT00540	WHEEL D.8x32	2		
36	3VTRS13947	WASHER D. 8 INX UNI 6592	4		
38	3LAFN05559	SUPPORT RUOTINO	2		
39	3MLML49422	SPRING D.15X 45 X1	2		
40	3VTDD01695	NUT M 8 INX	2		
41	3TBPP00124	TUBE D 8/6	0,03		
42	3VTDD00210	NUT M 3 INOX	8	09/2013	
43	3VTVT01070	SCREW TSTC M3X8	8	09/2013	

Lever



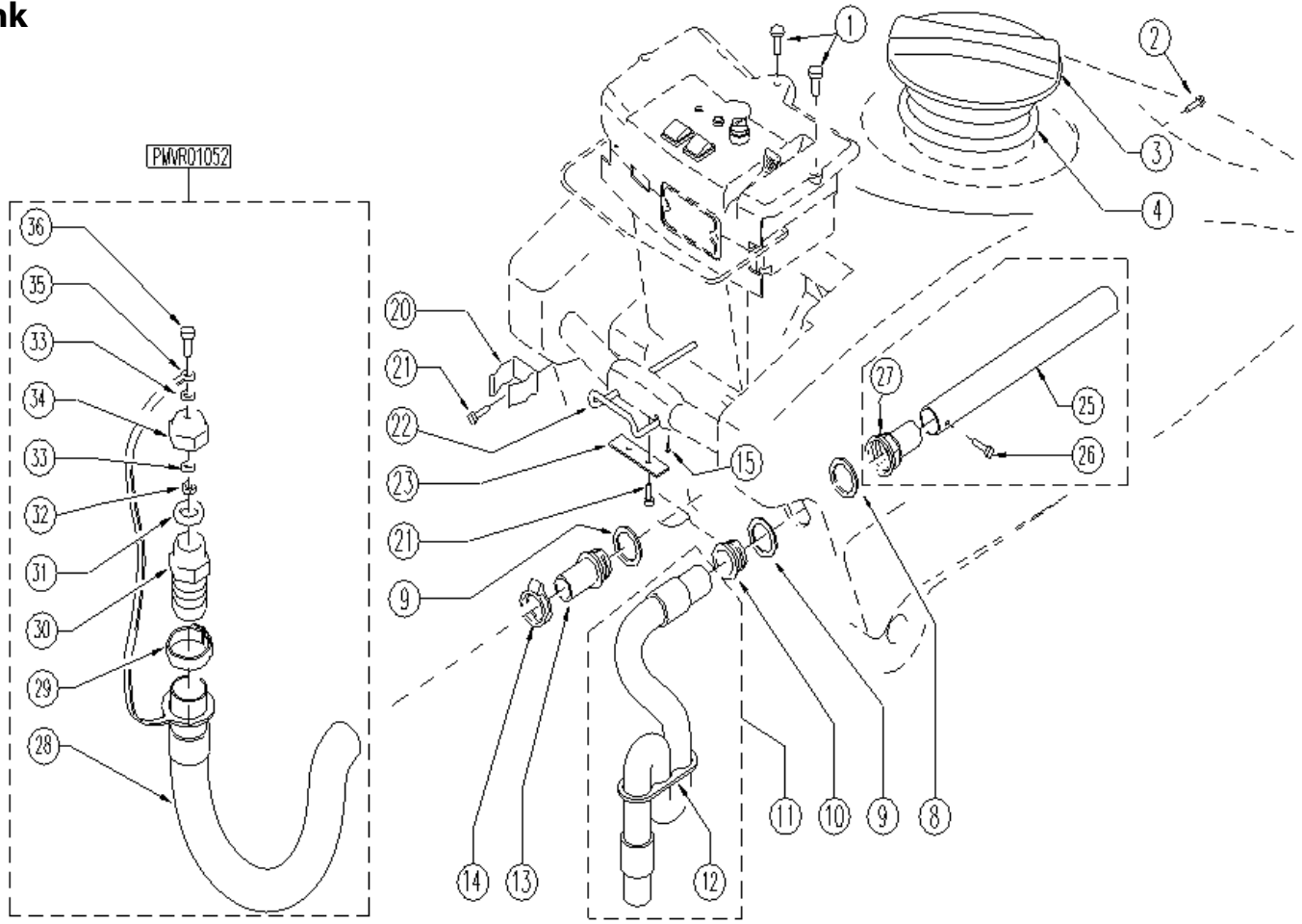
Ref.	Part N.	Description	Quantity	Validity From	Validity To
1	3VTRS13947	WASHER D. 8 INX UNI 6592	3	12/2002	
2	3LAFN05756	HANDLE	1	12/2002	
3	3LAFN05755	PLATE	1	12/2002	
4	3VTVT48694	SCREW TCB TC 5 X12 UNI 9707 TZ	3	12/2002	
5	3VTVT00779	SCREW TBEI M.8-16	2	12/2002	
6	3RCDS35584	BUSHING D. 8X12X 4.3	2	12/2002	
7	3LAFN03940	BUSHING 8/12-5,25	2		
8	3MLML00196	SPRING	1	12/2002	

Tank



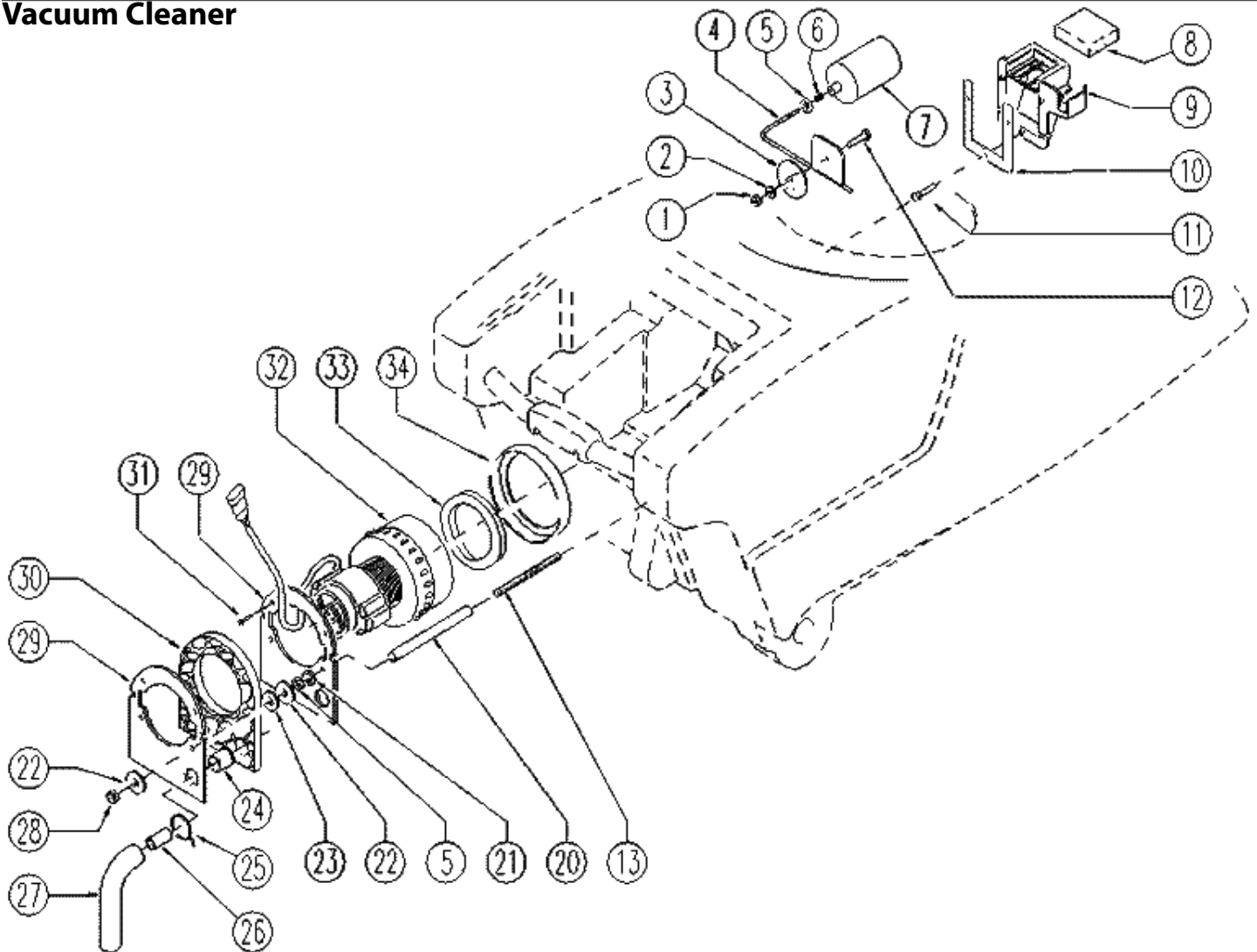
Ref.	Part N.	Description	Quantity	Validity From	Validity To
1	3VTVT00858	SCREW	3	12/2002	
2	3VTVT00806	SCREW TBEI M. 6-10	2	12/2002	
3	3MPVR04051	TANK CAP	1	01/2003	
4	3GUGO00263	GASKET	1	12/2002	
8	3GUVR49928	GASKET	1	12/2002	
9	3GUGO00216	GASKET	2	12/2002	
10	3RCVR00508	PIPE UNION	1	12/2002	
11	3PMVR01043	VAC HOSE	1	12/2002	
12	3MPVR02730	PLATE	1	12/2002	
13	3RCVR49929	CONNECTOR DTT 1"1/2 D.50	1	12/2002	
14	3FSVR00105	CLAMP	1	12/2002	
15	3VTVT00813	SCREW M 4X 8 TCB-TC UNI 8112	1	12/2002	
20	3FSVR44166	HOSE CLIP D.50	1	12/2002	
21	3VTVT48694	SCREW TCB TC 5 X12 UNI 9707 TZ	4	12/2002	
22	3PMVR01058	BUTTON	1		
23	3LAFN05607	PLATE	1	12/2002	
25	3MPVR02889	TUBE	1	01/2003	
26	3VTVT85145	SCREW TCB T-CROCE 4,2X9,5 INOX	1		

Tank



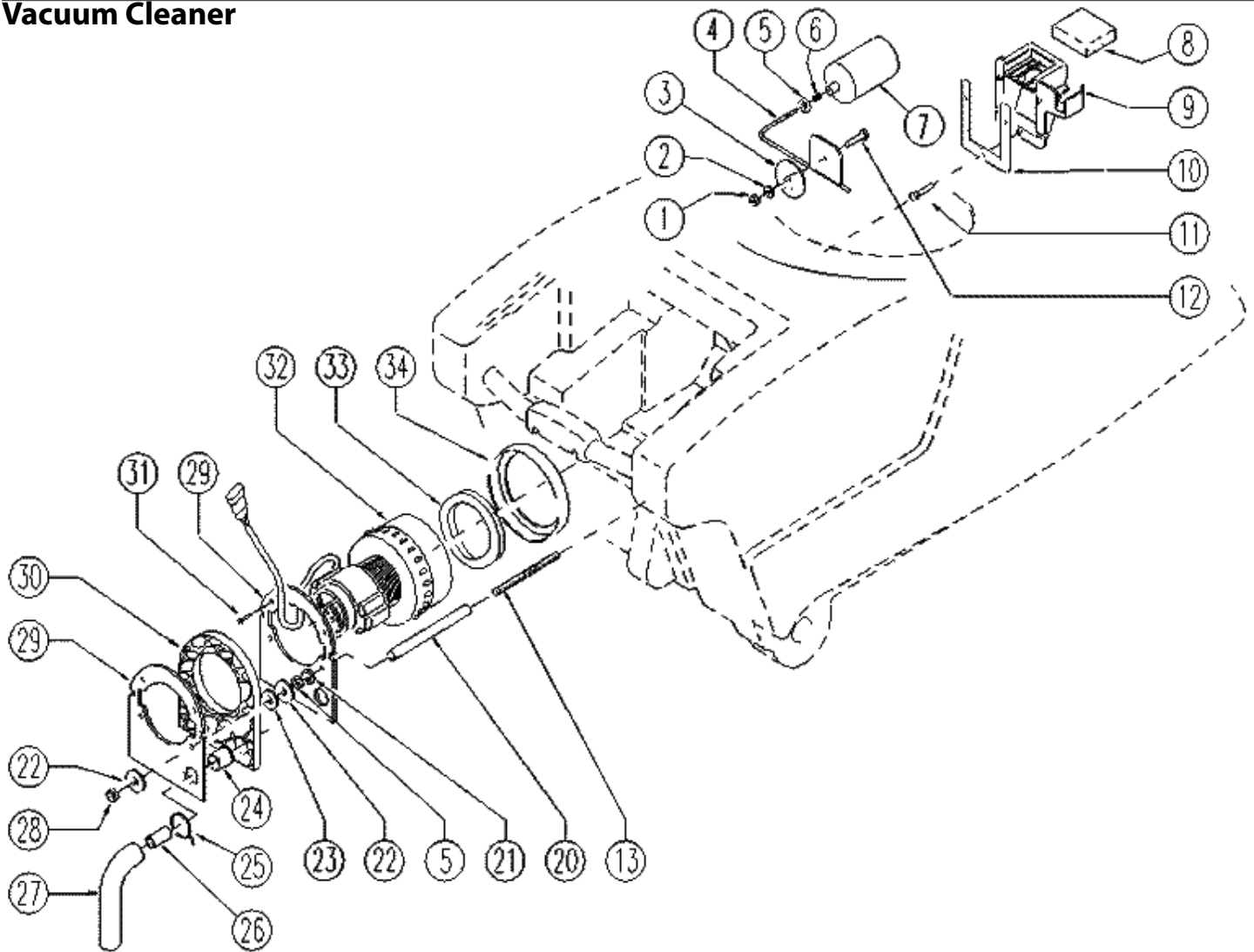
Ref.	Part N.	Description	Quantity	Validity From	Validity To
27	3RCVR00504	CONNECTOR	1	01/2003	
28	3TBFX00194	HOSE	1	01/2003	12/2007
28	3TBFX00314	HOSE DISCHARGE	1	01/2008	
29	3FSVR00120	CLAMP	1	01/2008	
29	3MPVR46993	RING NUT	1	01/2003	12/2007
30	3RCVR46992	CONNECTOR	1	01/2003	
31	3GUGO00226	GASKET 1"1/4	1	01/2003	
32	3VTDD01695	NUT M 8 INX	1	01/2003	
33	3VTRS13947	WASHER D. 8 INX UNI 6592	2	01/2003	
34	3RCVR00524	CAP	1	01/2003	
35	3MPVR02805	CLAMP	1	01/2003	
36	3VTVT00842	SCREW	1	01/2003	

Vacuum Cleaner



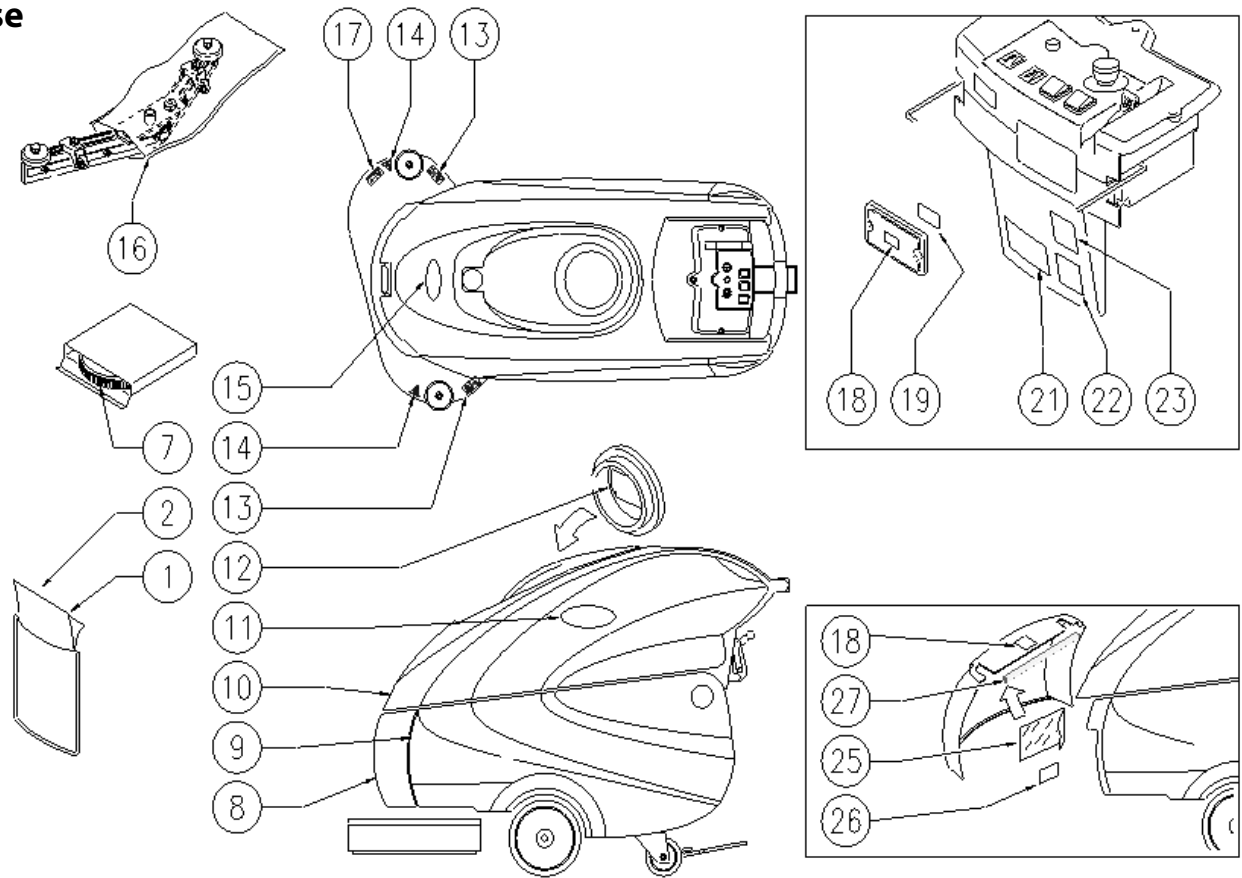
Ref.	Part N.	Description	Quantity	Validity From	Validity To
1	3VTDD01693	NUT M 5 INX	1	04/2004	
2	3VTRS13750	WASHER D. 5X14 INX	1	04/2004	
3	3MPVR02702	CAP	1	04/2004	
4	3LAFN05118	ROD	1	04/2004	
5	3VTDD15520	NUT M 6 A2 UNI 5588 INX	3	04/2004	
6	3VTVR00212	INSERT	1	04/2004	
7	3RCGR00064	FLOATER	1	04/2004	
8	3FTAC47474	FILTER	1	04/2004	
9	3MPVR03846	SUPPORT	1	04/2004	
10	3GUGO00221	GASKET	1		
11	3VTVT00677	SCREW	3	04/2004	
12	3VTVT00805	SCREW TBEI M. 5-10	1	04/2004	
13	3VTVT00785	ROD	2	04/2004	
20	3LAFN51077	SPACER PH	2	04/2004	
21	3VTRS13945	WASHER D. 6X18 INX UNI 6593	2	04/2004	
22	3VTRS16937	WASHER 6x24 INOX UNI 6593	4		

Vacuum Cleaner



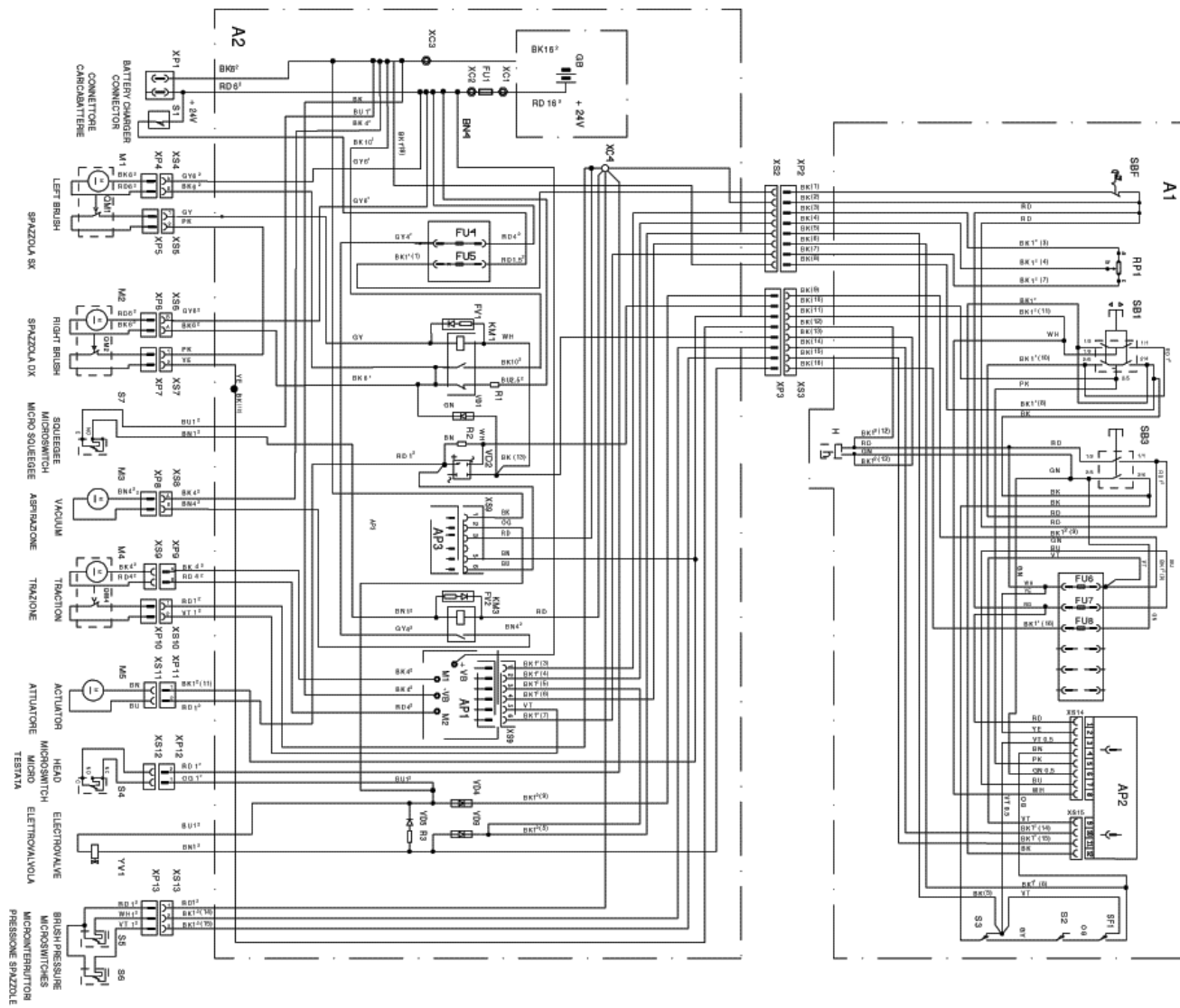
Ref.	Part N.	Description	Quantity	Validity From	Validity To
23	3MPVR35582	RUBBER	2	04/2004	
24	3MPVR31077	BUSHING	1	04/2004	
25	3FSVR00086	CLAMP	1	04/2004	
26	3TBFX00217	TUBE	1	04/2004	
27	3ITSO00036	SOUND-PROOFING	1	04/2004	
28	3VTDD00124	NUT M 8 BASSO	2		
29	3LAFN51076	FLANGE	2	04/2004	
30	3ITSO00035	SOUND-PROOFING	1	04/2004	
31	3VTVT00892	SCREW	4	04/2004	
32	3MOCC00273	MOTOR 3 ST.24V 116598-13	1	05/2004	
33	3GUVR48858	GASKET SRB.SHK	1	04/2004	
34	3GUGO30649	GASKET LAV.DW.	1	04/2004	

Crankcase



Ref.	Part N.	Description	Quantity	Validity From	Validity To
1	3PLDC01420	OP-TOR'S MANUAL	1		
2	3PLDC01418	SPARE PARTS NEUTRO PANTHER 2	1		
7	3SPPV01234	DRIVE DISK 16"	2		
8	3MPVR05072	SIDE PANEL PANTHER 2	1		
9	3MPVR04079	TANK SOLUZ. HARMONY	1		
10	3MPVR04083	TANK RECUPERO	1		
12	3ETET00554	ADHESIVE AVVERTENZE	1		
13	3ETET00906	ADHESIVE SIMBOLO PERICOLO DI ABRAS	2		
14	3ETET00897	ADHESIVE SIMBOLO PERICOLO	2		
15	3MIVR00018	CARRYNG BAG	1		
16	3MIVR00048	TUBE UNIBOL	1		
17	3ETET00898	ADHESIVE SIMBOLO SCHIACCIAMENTO	1		
18	3ETET00763	LABEL SIMBOLO FUSIBILI	2		
19	3ETET01328	LABEL AVVERTENZA FUSIBILI	1		
21	3ETET00730	LABEL BATTERIE SCOLLEGATE	1		
22	3ETET00463	ADHESIVE SCARICO ACQUA	1		
23	3ETET00550	ADHESIVE PENDENZA	1		
25	3MPVR04179	ENVELOPE PORTAMANUALE ADESIVA	1		
26	3ETET01329	LABEL FUSES	1		
27	3GUGO00110	GASKET COPERCHIO SERBATOIO	0,37	06/2005	

Electric Diagram 1



WIRING DIAGRAM

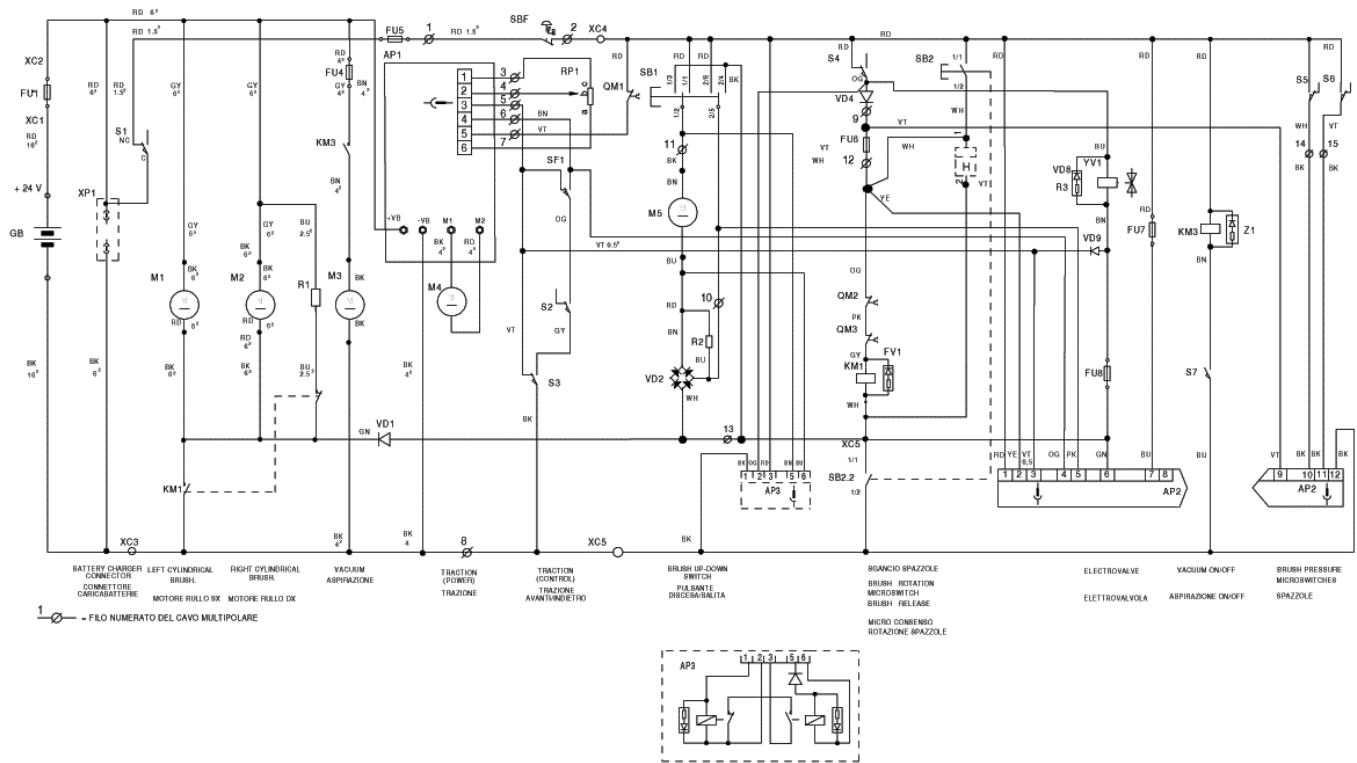
PLDC01436_0

Ref.	Part N.	Description	Quantity	Validity From	Validity To
AP1	3MECE00336	GEARCASE TRAZ. 24V	1		
AP2	3MECE00345	BOARD LED INGR.POTENZ.+RESET	1		
AP3	3MECE00396	BOARD	1		

Electric Diagram 2

SCHEMATIC DIAGRAM

PLDC01436_0



Ref.	Part N.	Description	Quantity	Validity From	Validity To
AP1	3MECE00336	GEARCASE TRAZ. 24V	1		
AP2	3MECE00345	BOARD LED INGR.POTENZ.+RESET	1		
AP3	3MECE00396	BOARD	1		

Electric Diagram 2

REF.	CODE	DESCRIPTION	BESCHREIBUNG	DESCRIPTION	DESCRIPCION	DESCRIZIONE
A1		CONTROL PANEL	INSTRUMENTENBRETT	TABEUAU DE COMMANDE	CUADRO DE MANDO	PANNELLO COMANDI
A2		BODY WIRING DIAGRAM	SCHALTPLAN KÖRPER	SCHEMA ELECTRIQUE CORPS	ESQUEMA ELECTRICO CUERPO	CORPO MACCHINA
AP1	MECE00336	DRIVE CARD	ZENTRALE / KARTE	FICHE DE CONTROLE	CENTRALITA / TARJETA	CENTRALINA TRAZIONE
AP2	MECE00345	CARD	KARTE	FICHE	TARJETA	SCHEDA LED
AP3	MECE00396	CARD	KARTE	FICHE	TARJETA	SCHEDA AUTORITENUTA
FU1	MEVR01346	GENERAL FUSE	SICHERUNG	FUSE	FUSIBLE	FUSIBILE GENERALE 125A
FU4	MEVR01380	FUSE	SICHERUNG	FUSE	FUSIBLE	FUSIBILE 40A
FU5	MEVR01316	FUSE	SICHERUNG	FUSE	FUSIBLE	FUSIBILE 10A
FU6	MEVR01132	FUSE	SICHERUNG	FUSE	FUSIBLE	FUSIBILE 5A
FU7	MEVR01132	FUSE	SICHERUNG	FUSE	FUSIBLE	FUSIBILE 5A
FU8	MEVR01132	FUSE	SICHERUNG	FUSE	FUSIBLE	FUSIBILE 5A
FV1	MECI00313	DIODE	DIODE	DIODE	DIODO	DIODO (SOPPRESSORE)
FV2	MECI00313	DIODE	DIODE	DIODE	DIODO	DIODO (SOPPRESSORE)
GB		BATTERY	BATTERIE	BATTERIE	BATERIA	BATTERIA
H		HOUR COUNTER (OPTIONAL)	STUNDENZÄHLER (ZUBEHÖR)	COMPTE-HEURES (ACCESSOIRE)	CUENTAHORAS (ACCESORIO)	CONTAORE (ACCESSORIO)
KM1	METT00056	REMOTE CONTROL SWITCH	FERNSCHALTER	TELE-INTERRUPTEUR	TELERUPTOR	TELERUTTORE
KM3	METT30650	REMOTE CONTROL SWITCH	FERNSCHALTER	TELE-INTERRUPTEUR	TELERUPTOR	TELERUTTORE
M1	MOCC00236	LEFT BRUSH MOTOR	BÜRSTENMOTOR	MOTEUR DE LA BROUSSE	MOTOR DE LO CEPILLO	MOTORE SPAZZOLE SX
M2	MOCC00236	RIGHT BRUSH MOTOR	BÜRSTENMOTOR	MOTEUR DE LA BROUSSE	MOTOR DE LO CEPILLO	MOTORE SPAZZOLE DX
M3	MOCC00243	VACUUM MOTOR	SAUGMOTOR	MOTEUR	MOTOR DE ASPIRACION	MOTORE ASPIRAZIONE
M4	MOCC00235	DRIVE MOTOR	ANTRIEBSMOTOR	MOTEUR	MOTOR	MOTORE TRAZIONE
M5	MOCC00226	ACTUATOR MOTOR	MOTOR	MOTEUR	MOTOR	MOTORE ATTUATORE
QM1		THERMAL PROTECTION	THERMOSCHUTZ	PROTECTION THERMIQUE	PROTECCION TERMICA	TERMICO MOTORE SPAZZOLE SX
QM2		THERMAL PROTECTION	THERMOSCHUTZ	PROTECTION THERMIQUE	PROTECCION TERMICA	TERMICO MOTORE SPAZZOLE DX
QM4		THERMAL PROTECTION	THERMOSCHUTZ	PROTECTION THERMIQUE	PROTECCION TERMICA	TERMICO MOTORE TRAZIONE
R1	MECE00391	RESISTANCE	WIDERSTAND	RESISTANCE	RESISTENCIA	RESISTENZA 1 Ohm 25 W
R2	MECE00369	RESISTANCE	WIDERSTAND	RESISTANCE	RESISTENCIA	RESISTENZA 10 Ohm 50 W
R3	MECE00356	RESISTANCE	WIDERSTAND	RESISTANCE	RESISTENCIA	RESISTENZA 10 Ohm 1/2 W
RP1	MEVR01432	POTENTIOMETER	POTENCIOMETER	POTENCIOMETRE	POTENCIOMETRO	POTENZIOMETRO
S1	MECI00334	MICROSWITCH	MIKROSCHALTER	MICRO-INTERRUPTEUR	MICROINTERRUPTOR	MICRO CARICABATTERIE INSERITO
S2	MECI36393	MICROSWITCH	MIKROSCHALTER	MICRO-INTERRUPTEUR	MICROINTERRUPTOR	MICROINTER. MARCIA INDIETRO
S3	MECI36393	MICROSWITCH	MIKROSCHALTER	MICRO-INTERRUPTEUR	MICROINTERRUPTOR	MICROINTER. MARCIA AVANTI
S4	MECI38439	MICROSWITCH	MIKROSCHALTER	MICRO-INTERRUPTEUR	MICROINTERRUPTOR	MICROINTER. AGGANCIAMENTO SPAZZOLE
S5	MECI00303	MICROSWITCH	MIKROSCHALTER	MICRO-INTERRUPTEUR	MICROINTERRUPTOR	MICROINTERRUTTORE PRESSIONE 1
S6	MECI00303	MICROSWITCH	MIKROSCHALTER	MICRO-INTERRUPTEUR	MICROINTERRUPTOR	MICROINTERRUTTORE PRESSIONE 2
S7	MECI38439	MICROSWITCH	MIKROSCHALTER	MICRO-INTERRUPTEUR	MICROINTERRUPTOR	MICROINTERRUTTORE SQUEEGEE
SF1	MECI36393	MICROSWITCH	MIKROSCHALTER	MICRO-INTERRUPTEUR	MICROINTERRUPTOR	MICROINTER. ANTISCHIACCIAAMENTO
SB1	MECI46630	PUSH-BUTTON	DRUCKKNOPF	POUSSOIR	PULSADOR	PULSANTE SALITA DISCESA TESTATA
SB2	MECI00309	PUSH-BUTTON	DRUCKKNOPF	POUSSOIR	PULSADOR	PULSANTE SGANCIO SPAZZOLE
SBF		EMERGENCY BUTTON	NOTHALTASTE	BOUION ARRET D'URGENCE	BOTON DE EMERGENCIA	PULSANTE EMERGENZA
VD1	MECI00281	DIODE	DIODE	DIODE	DIODO	DIODO
VD2	MECE35767	BRIDGE / JUMPER	BRÜCKE	PONT	PUENTE	PONTE A DIODI
VD3-4-5-6	MECI00281	DIODE	DIODE	DIODE	DIODO	DIODO
VD7-8	MECI00294	DIODE	DIODE	DIODE	DIODO	DIODO
XC1-2-3	MEVR01116	INSULATOR	ISOLIERER	ISOLATEUR	AISLADOR	SUPPORTO ISOLATO
XC4	MEVR01222	CLAMP	LEMME	BORNE	BORNE / SUJETADOR	MORSETTO
XP1	MEVR01079	CONNECTOR	VERBINDER	CONNECTEUR	CONECTOR	CONNETTORE ROSSO 50A
XP10	MEVR01294	CONNECTOR	VERBINDER	CONNECTEUR	CONECTOR	CONNETTORE STAGNO M. 2P CPL
XP11-12	MEVR01283	CONNECTOR	VERBINDER	CONNECTEUR	CONECTOR	CONNETTORE STAGNO M. 2P CPL
XP13	MEVR01285	CONNECTOR	VERBINDER	CONNECTEUR	CONECTOR	CONNETTORE STAGNO M. 3P CPL
XP2	MEVR01145	CONNECTOR	VERBINDER	CONNECTEUR	CONECTOR	CONNETTORE MASCHIO 8 P.
XP3	MEVR01145	CONNECTOR	VERBINDER	CONNECTEUR	CONECTOR	CONNETTORE MASCHIO 8 P.
XP4	MEVR01294	CONNECTOR	VERBINDER	CONNECTEUR	CONECTOR	CONNETTORE STAGNO M. 2P CPL
XP5	MEVR01283	CONNECTOR	VERBINDER	CONNECTEUR	CONECTOR	CONNETTORE STAGNO M. 2P CPL
XP6	MEVR01294	CONNECTOR	VERBINDER	CONNECTEUR	CONECTOR	CONNETTORE STAGNO M. 2P CPL
XP7	MEVR01283	CONNECTOR	VERBINDER	CONNECTEUR	CONECTOR	CONNETTORE STAGNO M. 2P CPL
XP8	MEVR01294	CONNECTOR	VERBINDER	CONNECTEUR	CONECTOR	CONNETTORE STAGNO M. 2P CPL
XS10	MEVR01296	CONNECTOR	VERBINDER	CONNECTEUR	CONECTOR	CONNETTORE STAGNO F. 2P CPL
XS11-12	MEVR01284	CONNECTOR	VERBINDER	CONNECTEUR	CONECTOR	CONNETTORE STAGNO F. 2P CPL
XS13	MEVR01286	CONNECTOR	VERBINDER	CONNECTEUR	CONECTOR	CONNETTORE STAGNO F. 3P CPL
XS14	MECI00278	CONNECTOR	VERBINDER	CONNECTEUR	CONECTOR	CONNETTORE F. 8P
XS15	MECI00276	CONNECTOR	VERBINDER	CONNECTEUR	CONECTOR	CONNETTORE F. 4P
XS2-3	MEVR01146	CONNECTOR	VERBINDER	CONNECTEUR	CONECTOR	CONNETTORE FEMMINA 8 P.
XS4	MEVR01296	CONNECTOR	VERBINDER	CONNECTEUR	CONECTOR	CONNETTORE STAGNO F. 2P CPL
XS5	MEVR01284	CONNECTOR	VERBINDER	CONNECTEUR	CONECTOR	CONNETTORE STAGNO F. 2P CPL
XS6	MEVR01296	CONNECTOR	VERBINDER	CONNECTEUR	CONECTOR	CONNETTORE STAGNO F. 2P CPL
XS7	MEVR01284	CONNECTOR	VERBINDER	CONNECTEUR	CONECTOR	CONNETTORE STAGNO F. 2P CPL
XS8	MEVR01296	CONNECTOR	VERBINDER	CONNECTEUR	CONECTOR	CONNETTORE STAGNO F. 2P CPL
YV1	MEEV00015	ELECTROVALVE	ELEKTROVENTIL	SOUPAPE ELECTRIQUE	ELECTROVALVULA	ELETTROVALVOLA

Ref.	Part N.	Description	Quantity	Validity From	Validity To
AP1	3MECE00336	GEARCASE TRAZ. 24V	1		
AP2	3MECE00345	BOARD LED INGR.POTENZ.+RESET	1		
AP3	3MECE00396	BOARD	1		

